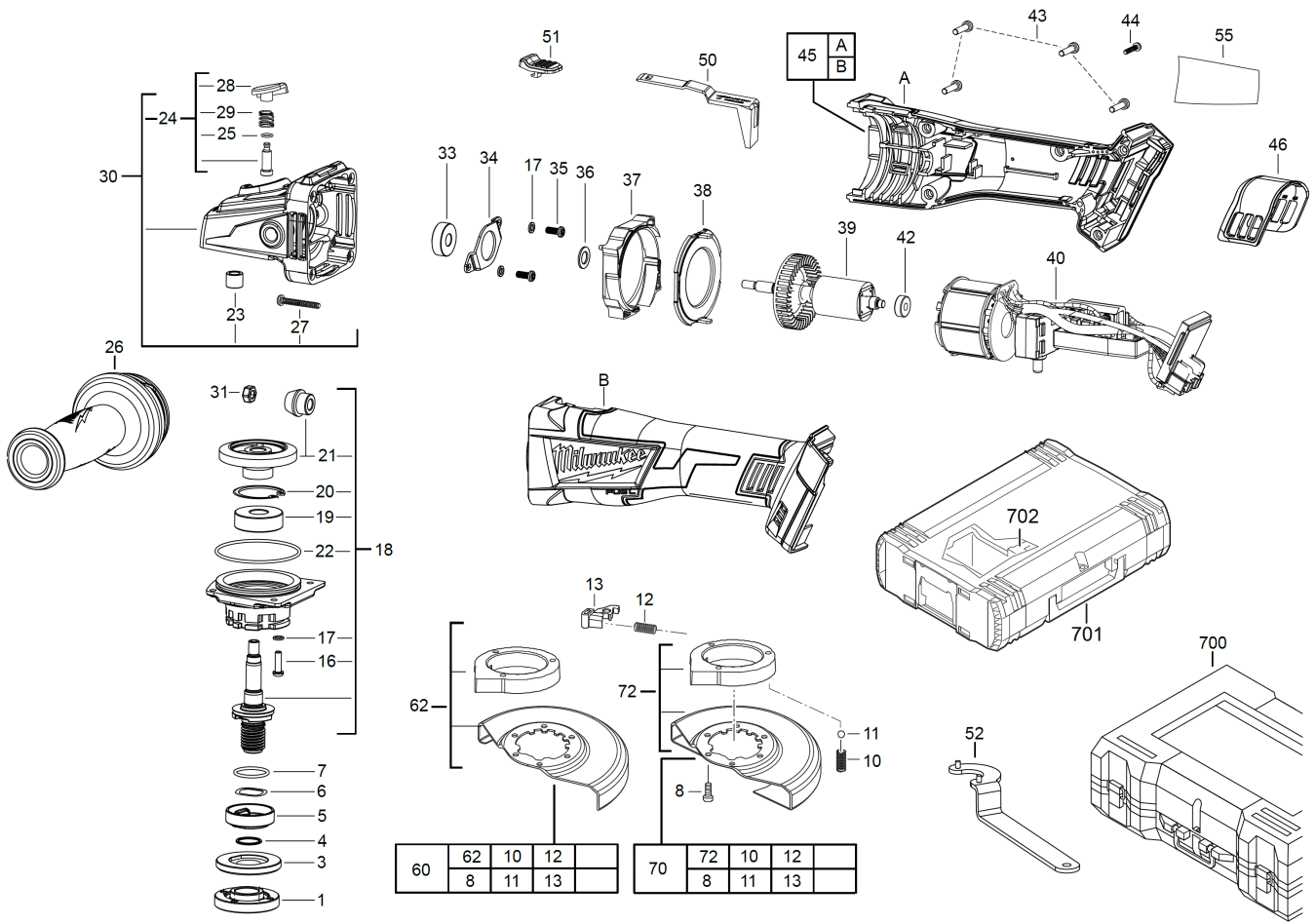


M18CAG125X-0 ANGLE GRINDER XXX

4933443940 - M18CAG 125X0 - 4000458504





60	62	10	12	
	8	11	13	

70	72	10	12
	8	11	13

Position	Quantity	Description	Part number	EAN
0001	1	FLANGE NUT	4931441309	4002395887699
0003	1	FLANGE	4931435020	4002395856671
0004	1	RETAINING RING	4931435019	4002395856664
0005	1	FLANGE	4931435018	4002395860357
0006	1	SPRING WASHER	4931435017	4002395856657
0007	1	O-RING	4931435016	4002395856640
0008	5	SCREW	4931435015	4002395856633
0010	3	SPRING	4931435012	4002395856602
0011	1	BALL	670219001	4002395849420
0012	1	SPRING	4931435010	4002395855995
0013	1	FLANGE	4931435009	4002395855988
0016	4	SCREW	4931435150	4002395859948
0017	6	PROTECTION WASHER	680866003	4002395823895
0018	1	SPINDLE KIT	4931461666	4058546038991
0019	1	BALL BEARING	4931446467	4002395875733
0020	1	HOLDING RING	4931435476	4002395891658
0021	1	BEVEL GEAR PAIR	4931436007	4002395875320
0022	1	O-RING	570699002	4002395824472
0023	1	NEEDLE BEARING	4931446185	4002395877645
0024	1	SPINDLE LOCK	4931436008	4002395875337
0025	1	O-RING	4931435006	4002395855957
0026	1	AUXILIARY HANDLE	4931435002	4002395855919
0027	1	SCREW	4931435023	4002395857302
0028	1	TRIGGER	4931435004	4002395855933
0029	1	SPRING	4931435005	4002395855940
0030	1	GEAR BOX	4931461667	4058546039004
0031	1	NUT	671686001	4002395824526
0033	1	BALL BEARING	681337001	4002395826988
0034	1	BEARING CAGE	672569001	4002395824533
0035	2	SCREW	660165015	4002395849826
0036	1	WASHER	632876001	4002395829989
0037	1	PLATE	4931436010	4002395875351
0038	1	AIR DEFLECTOR RING	4931436011	4002395875368
0039	1	ARMATURE	4931436012	4002395875375
0040	1	ELECTRIC FIELD	4931436013	4002395875382
0042	1	BALL BEARING	4931436014	4002395875399
0043	4	SCREW	660024030	4002395826957
0044	1	SCREW	4931431944	4002395898831
0045	1	HANDLE COMPL.	4931436015	4002395876006
0046	1	DUST GUARD CAP	4931436016	4002395876013
0050	1	SLEEVE GUIDE	4931436017	4002395876020
0051	1	PUSH BUTTON	4931436018	4002395876037
0052	1	SPANNER M14	632145002	4002395823727
0055	1	RATING PLATE	4931461670	4058546039035
0060	1	GUARD CAP	4931452111	4002395180288
0062	1	GUARD CAP	4931448969	4002395179527
0070	1	GUARD CAP	4931452115	4002395180929
0072	1	GUARD CAP	4931452116	4002395180936
0700	1	CARRYING CASE	4931436020	4002395876051
0701	1	CARRYING CASE SIZE2 MET	4932383162	4002395349463

Position	Quantité	Désignation	Référence	EAN
0702	1	INSERT	5131000000	