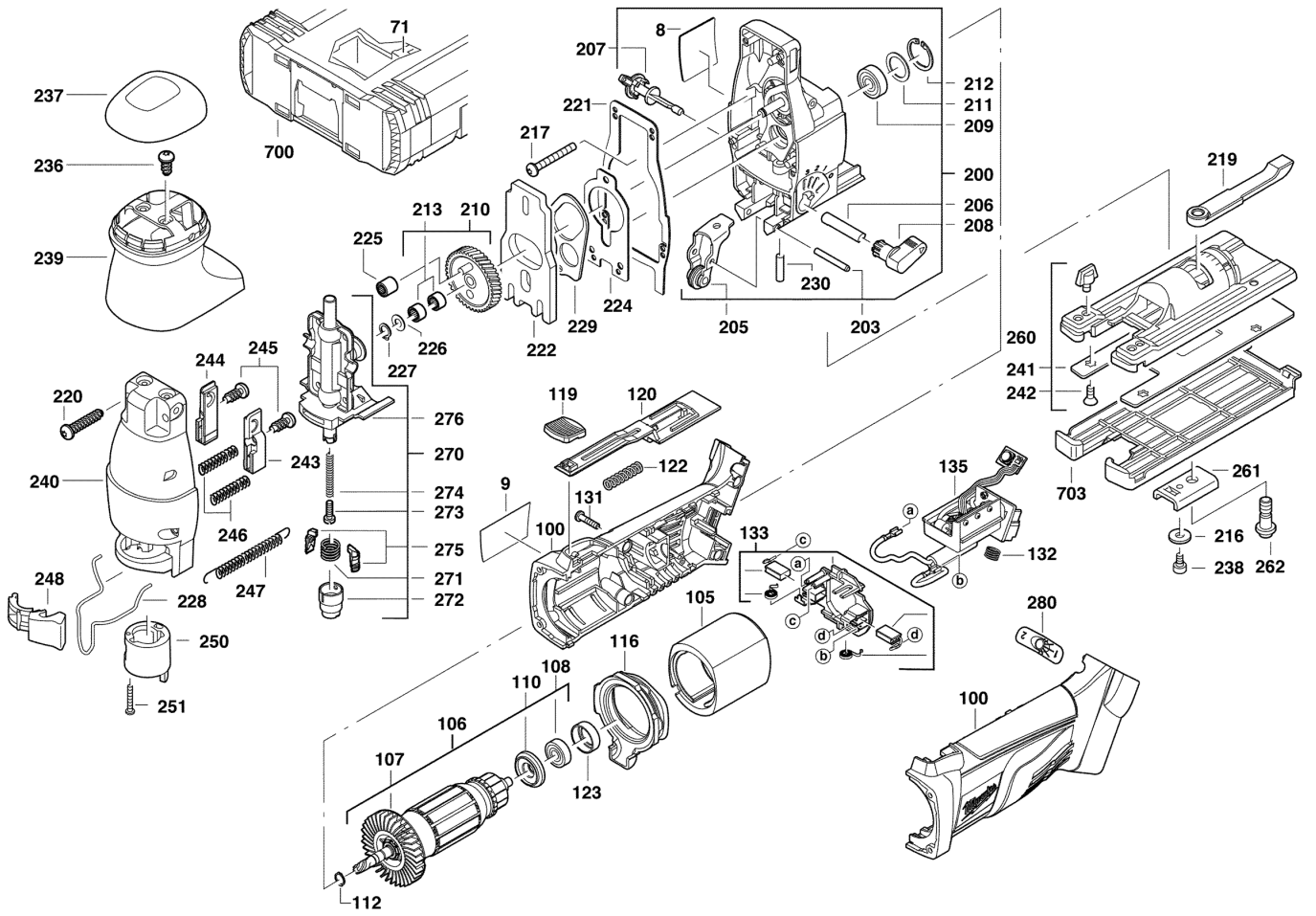


# HD18JSB-0 H/ DUTY BODY GRIP JIGSAW XXX

4933417845 - HD18JSB-0 - 4000403038





Position	Quantity	Description	Part number	EAN
0008	1	SAW TABLE	4931401781	4002395788064
0071	1	INSERT	4931415359	4002395826148
0100	1	HOUSING	4931403016	4002395903016
0105	1	ELECTRIC FIELD	4931408258	4002395906277
0106	1	MOTOR ASSEMBLY	4931442699	4002395883134
0107	1	FAN	4931342793	4002395628544
0108	1	BALL BEARING	5131000000	
0110	1	INSULATING DISC	4931392383	4002395747405
0112	1	RING D471 8X0,8	4931605103	4002395693597
0116	1	AIR DEFLECTOR RING	4931417412	4002395832774
0119	1	SLIDER	4931417492	4002395905676
0120	1	SWITCH BAR	4931417493	4002395905669
0122	1	PRESSURE SPRING	4931327696	4002395608942
0123	1	RUBBER SLEEVE	4931351729	4002395640553
0131	4	SCREW N874101-1 SHR H-K4X18 T15	4931624515	4002395757367
0132	1	PRESSURE SPRING	4931408243	4002395814466
0133	1	BRUSH HOLDER	290627001	4002395850600
0135	1	ELECTRONIC	4931403048	4002395837083
0200	1	GEAR BOX	4931401779	4002395906796
0203	1	PIN D 6325 4 M6X32	4931621942	4002395696307
0205	1	HOLDER	4931468106	4058546268923
0206	1	INDEXING BOLT	4931381103	4002395709397
0207	1	SWITCH	4931381156	4002395713424
0208	1	SWITCH HANDLE	4931378812	4002395684762
0209	1	BALL BEARING	4931621829	4002395696147
0210	1	GEAR	4931401766	4002395906789
0211	1	SEALING WASHER 21,8X15,8X0,2	4931803914	4002395705856
0212	1	LOCKING RING D 472 22X1	4931613683	4002395694181
0213	2	NEEDLE BEARING	4931219422	4002395583867
0216	1	DISC	4931622131	4002395696857
0217	4	SCREW D 7981 3,9X32	4931621515	4002395695508
0219	1	TENSION LEVER	4931381610	4002395737079
0220	4	SCREW	4931623020	4002395700073
0221	1	SEAL	4931381656	4002395746538
0222	1	BALANCE WEIGHT	4931381109	4002395709403
0224	1	SHIM	4931357577	4002395649730
0225	1	NEEDLE BUSH	4931361376	4002395657766
0226	1	DISC N874237 6,1X12X0,5	4931621830	4002395696154
0227	1	RING D471 6X0,7	4931605092	4002395693580
0228	1	WIRE STRAP	4931357982	4002395711079
0229	1	ROCKER BAR	4931357522	4002395649563
0230	1	CYLINDER PIN	4931381112	4002395711062
0236	2	SCREW	4931623048	4002395700189
0237	1	BALL LID	4931330272	4002395611638
0238	1	SCREW	4931300699	4002395591060
0239	1	KNOB HANDLE	4931330271	4002395611621
0240	1	GEAR BOX COVER	4931426460	4002395844777
0241	1	GROUND PLATE	4931412827	4002395794058
0242	4	SCREW	4931310396	4002395721542
0243	1	BEARING CAGE	4931357986	4002395715848

Position	Quantité	Désignation	Référence	EAN
0244	1	BEARING CAGE	4931357985	4002395715831
0245	2	SCREW	4931317532	4002395600175
0246	2	PRESSURE SPRING	4931341759	4002395627066
0247	1	TENSION SPRING	4931330453	4002395611997
0248	1	SWITCH LEVER	4931381159	4002395713448
0250	1	INDEXING SLEEVE	4931381158	4002395713431
0251	1	SCREW	4931624172	4002395711178
0260	1	GROUND PLATE	4931412827	4002395794058
0261	1	THRUST PIECE	4931357588	4002395649785
0262	1	SCREW	4931381124	4002395711154
0270	1	RAM	4931357693	4002395650026
0271	1	TORSION SPRING	4931330424	4002395611911
0272	1	COLLET	4931330494	4002395612079
0273	1	SCREW	4931623102	4002395700394
0274	1	PRESSURE SPRING	5131000000	
0275	2	CENTERING JAW	4931330303	4002395611669
0276	1	SEAL RING	4931623091	4002395700363
0280	1	ADHESIVE LABEL	4931417520	4002395843978
0700	1	CARRYING CASE WITH FOAM INSERT MET	4932378986	4002395349401
0703	1	JSPE90X GUIDE SHOE JS SHOE - 1PC	4932430356	4002395380176