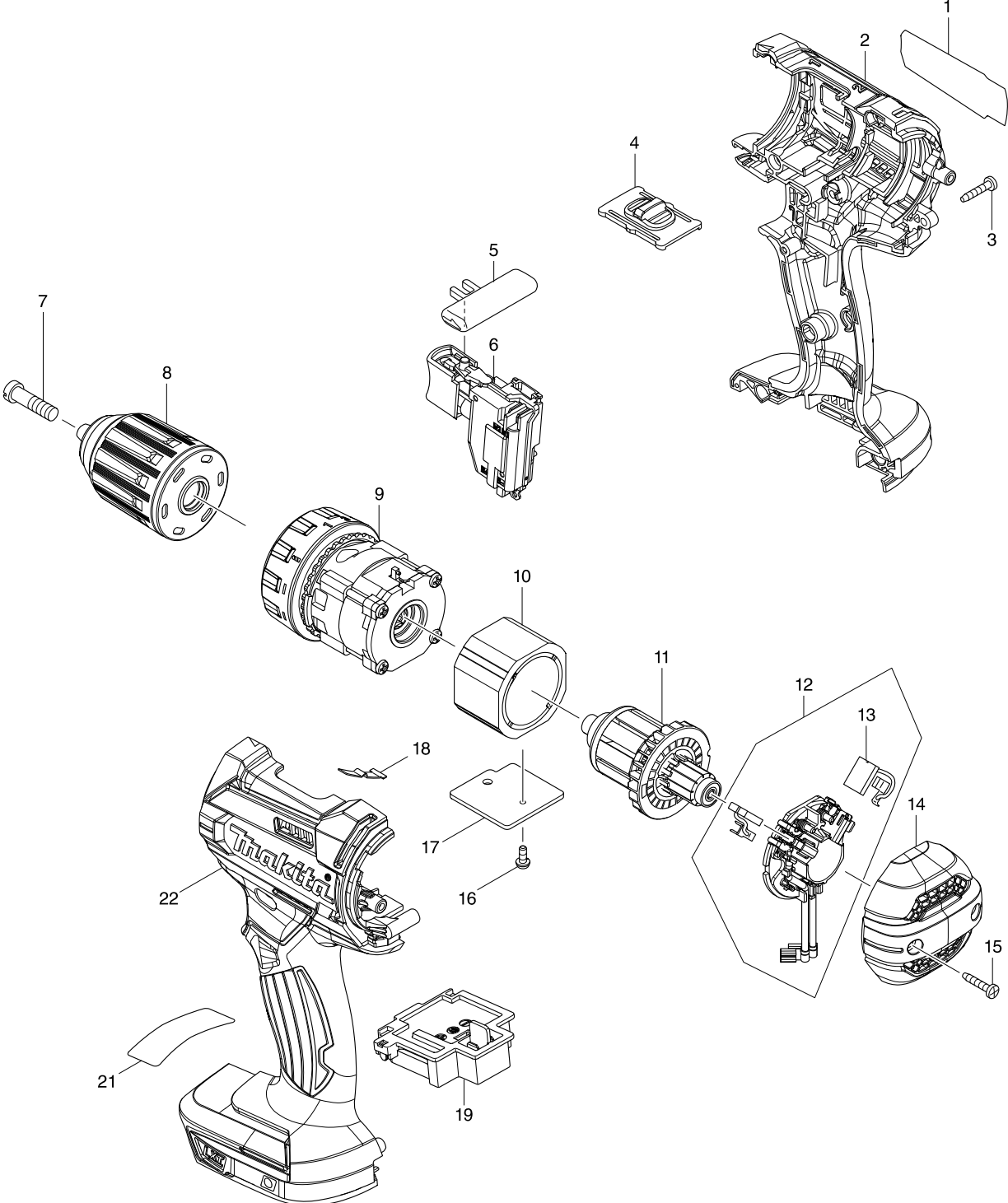


Modell-Nr. DDF482 AKKU-BOHRSCHRAUBER 18V



Position	Artikel-Nr.	Beschreibung	I/C	Stk.	N/O	Opt. 1	Opt. 2	Hinweis
001	851E35-2	DDF482 NAME PLATE		1				
C10	263005-3	Gummistift 6		2				
D10		INC. 22						
002C	183B65-0	HOUSING SET		1				
002D	183B65-0	HOUSING SET		1				
002E	183B65-0	HOUSING SET		1				
002H	183B65-0	HOUSING SET		1				
002I	183B65-0	HOUSING SET		1				
002J	183G75-7	HOUSING SET		1				
003	266429-2	Blechschraube 3x16		9				
004	123442-2	SPEED CHANGE LEVER ASSEMBLY		1				
C10	233438-6	Druckfeder 4		2				
005	419041-9	Schalterschieber		1				
006	632F27-4	SWITCH UNIT		1				
C10	620444-4	LED CIRCUIT		1				
C20	688172-7	Filter		1				
007	251468-5	Schraube M6x22		1				
008	766027-7	KEYLESS DRILL CHUCK 13		1				
009	123444-8	GEAR ASSEMBLY		1				
010C	632F32-1	YOKE UNIT		1	*			
010D	632F32-1	YOKE UNIT		1	*			
010E	632F32-1	YOKE UNIT		1	*			
010J	632J70-7	YOKE UNIT		1				
010-1C	632J70-7	YOKE UNIT	<	1				
010-1D	632J70-7	YOKE UNIT	<	1				
010-1E	632J70-7	YOKE UNIT	<	1				
010-1H	632J70-7	YOKE UNIT		1				
010-1I	632J70-7	YOKE UNIT		1				
011	619380-9	ARMATURE		1				
012	632F21-6	BRUSH HOLDER COMPLETE		1				
C10	688172-7	Filter		1				
D10		INC. 13						
013	194427-5	Kohlebuersten CB-440		1				
014C	456099-7	REAR COVER		1				
014D	456099-7	REAR COVER		1				
014E	456099-7	REAR COVER		1				
014H	456099-7	REAR COVER		1				
014I	456099-7	REAR COVER		1				
014J	457927-9	REAR COVER		1				
015	266429-2	Blechschraube 3x16		2				
016C	911006-2	Kombi-Schraube M3x8		1	*			
016D	911006-2	Kombi-Schraube M3x8		1	*			
016E	911006-2	Kombi-Schraube M3x8		1	*			
016-1C	652066-2	+PAN HEAD SCREW M3X9 WITH W	<	1				
016-1D	652066-2	+PAN HEAD SCREW M3X9 WITH W	<	1				
016-1E	652066-2	+PAN HEAD SCREW M3X9 WITH W	<	1				
016-1H	652066-2	+PAN HEAD SCREW M3X9 WITH W		1				
016-1I	652066-2	+PAN HEAD SCREW M3X9 WITH W		1				

Position	Artikel-Nr.	Beschreibung	I/C	Stk.	N/O	Opt. 1	Opt. 2	Hinweis
016-1J	652066-2	+PAN HEAD SCREW M3X9 WITH W		1				
017	689070-8	Kuehlkoerper		1				
018	232182-2	Blattfeder		1				
019	644808-8	KONTAKTEINHEIT BHR241 BDA350		1				
C10	263005-3	Gummistift 6		2				
D10		INC. 2						
022C	183B65-0	HOUSING SET		1				
022D	183B65-0	HOUSING SET		1				
022E	183B65-0	HOUSING SET		1				
022H	183B65-0	HOUSING SET		1				
022I	183B65-0	HOUSING SET		1				
022J	183G75-7	HOUSING SET		1				
A01	251314-2	Schraube M4x12		1				
A02C	346317-0	Einhaengebuegel		1				
A02D	346317-0	Einhaengebuegel		1				
A02E	346449-3	Einhaengebuegel		1				
A02H	346317-0	Einhaengebuegel		1				
A02I	346317-0	Einhaengebuegel		1				
A02J	346317-0	Einhaengebuegel		1				
A03	784637-8	PH/LS Doppelbit 10Stk		1				
A04C	141856-3	Transportkoffer		1				
C10	162302-3	Kofferverschluss		2				
C20	324207-7	SCHAFT BTD/BDF/BHP/BTP/BTW		1				
C30	451749-9	Handgriff f. Koffer		1				
A04E	141856-3	Transportkoffer		1				
C10	162302-3	Kofferverschluss		2				
C20	324207-7	SCHAFT BTD/BDF/BHP/BTP/BTW		1				
C30	451749-9	Handgriff f. Koffer		1				
A04H	821551-8	MAKPAC Gr.3		1				
C10	453974-8	Kofferverschluss MAKPAC		4				
A04I	821550-0	MAKPAC Gr.2		1				
C10	453974-8	Kofferverschluss MAKPAC		4				
A04J	141331-9	PLASTIC CASE COMPLETE		1				
C10	324667-3	Schaft BDF/BHP/BHR		1				
C20	417724-5	Kofferverschluss		2				
C30	419216-0	Handgriff f. Koffer		1				
C40	450830-3	PLASTIC CASE LID		1				
C50	451028-5	PLATE		5				
A05C	450128-8	Kontaktschutzkappe		1				
A05E	450128-8	Kontaktschutzkappe		1				
A05H	450128-8	Kontaktschutzkappe		1				
A05I	450128-8	Kontaktschutzkappe		1				
A05J	450128-8	Kontaktschutzkappe		1				
A06C	***DC18RC	DC18RC FAST CHARGER		1				
A06E	***DC18RC	DC18RC FAST CHARGER		1				
A06H	***DC18RC	DC18RC FAST CHARGER		1				
A06I	***DC18RC	DC18RC FAST CHARGER		1				
A06J	***DC18RC	DC18RC FAST CHARGER		1				

