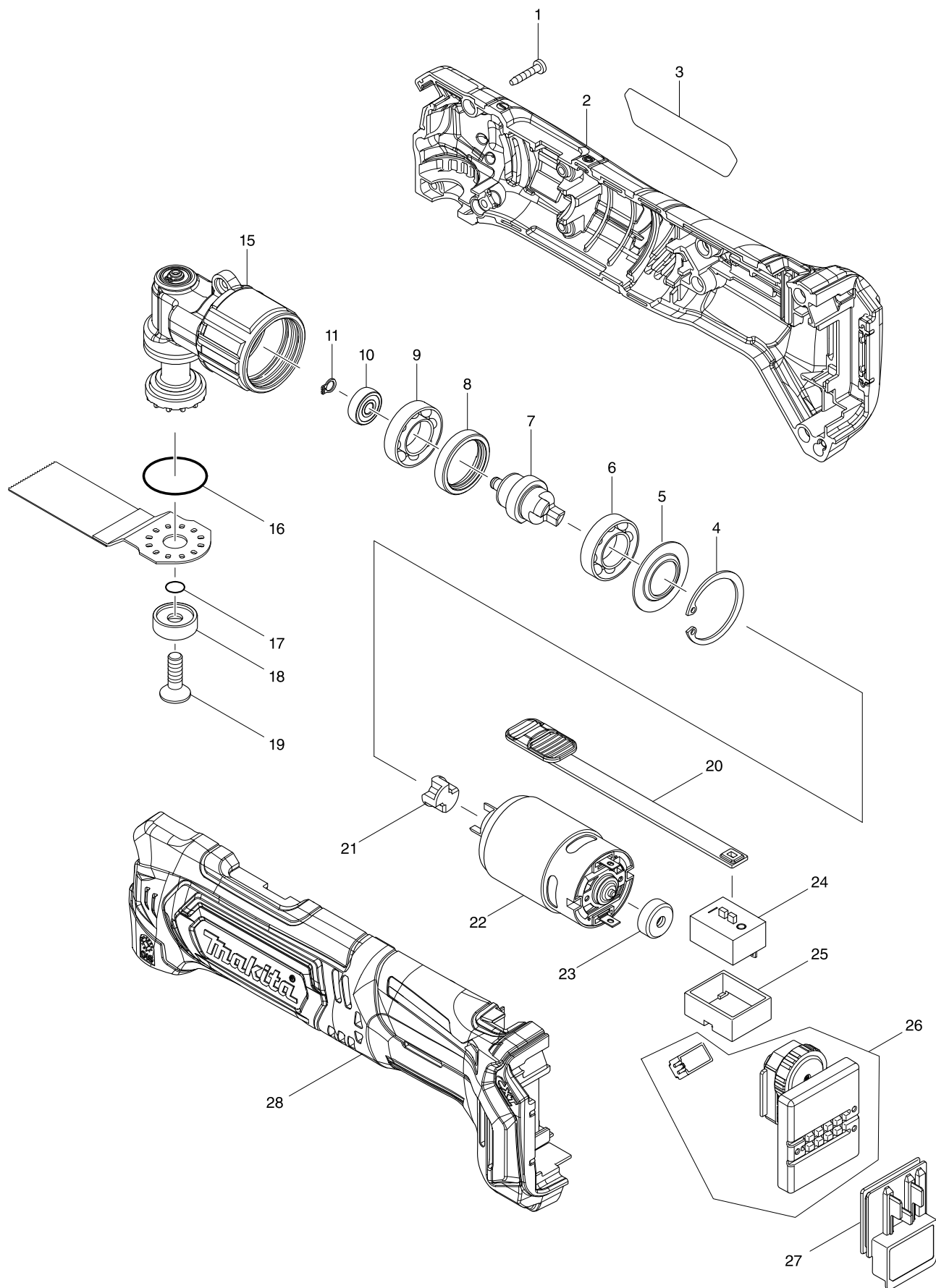


Modell-Nr. TM30D AKKU-MULTIFUNK-WERKZEUG 10,8V



Position	Artikel-Nr.	Beschreibung	I/C	Stk.	N/O	Opt. 1	Opt. 2	Hinweis
001	266429-2	Blechschraube 3x16		12				
002	183E32-3	MOTOR HOUSING SET		1				
C10	263039-6	RUBBER PIN 4		3				
C20	424859-5	CUSHION		2				
D10		INC. 28						
003	852E52-5	TM30D NAME PLATE		1				
004	962151-6	Sicherungsring R-32		1				
005	253368-5	WASHER 16		1				
006	210147-4	BALL BEARING 6902		1				
007	326719-6	CRANK SHAFT		1				
008	456788-4	SPACER 21		1				
009	210147-4	BALL BEARING 6902		1				
010	210144-0	SPHERE BEARING 505		1				
011	961008-8	Sicherungsring S-50		1				
015	144085-7	CRANK HOUSING COMPLETE		1				
016	213987-9	O-Ring 25		1				
017	213021-5	O-Ring 5		1				
018	224455-7	Spanscheibe 22		1				
019	266783-4	Schraube M6x20		1				
020	456791-5	SWITCH KNOB		1				
021	424833-3	SPACER		1				
022	629221-1	DC MOTOR		1				
023	424467-2	Lagerring		1				
024	651610-2	SWITCH		1				
025	424860-0	SWITCH COVER		1				
026	620522-0	CONTROLLER		1				
C10	620543-2	LED CIRCUIT		1				
027	644813-5	TERMINAL		1				
028	183E32-3	MOTOR HOUSING SET		1				
C10	263039-6	RUBBER PIN 4		3				
C20	424859-5	CUSHION		2				
D10		INC. 2						
A01	783233-9	6-KT Stiftschlüssel 5mm		1				
A02B	821550-0	MAKPAC Gr.2		1				
C10	453974-8	Kofferverschluss MAKPAC		2				
A02D	821550-0	MAKPAC Gr.2		1				
C10	453974-8	Kofferverschluss MAKPAC		2				
A03B	B-21353	Tauchsaegebl. 28mm TMA009		1				
A03C	809H30-4	TM30DWYJ PLASTIC CASE LABEL		2				
A03D	196272-4	Adapter A Multifunk.Werkzeug		1				
A04B	B-21565	Delta-Schleifpap. Set K60 LL		1				
A04C	809H28-1	TM30DWYJ INDICATION LABEL		1				
A04D	B-21325	Segmentsaegebl. 85mm TMA006		1				
A05B	B-21593	Delta-Schleifpap. Holz K120 LL		1				
A05C	454247-2	PIN 4		4				
A05D	B-21353	Tauchsaegebl. 28mm TMA009		1				
A06B	B-22931	Delta-Schleifpap. Holz K240 LL		1				
A06C	821550-0	MAKPAC Gr.2		1				

