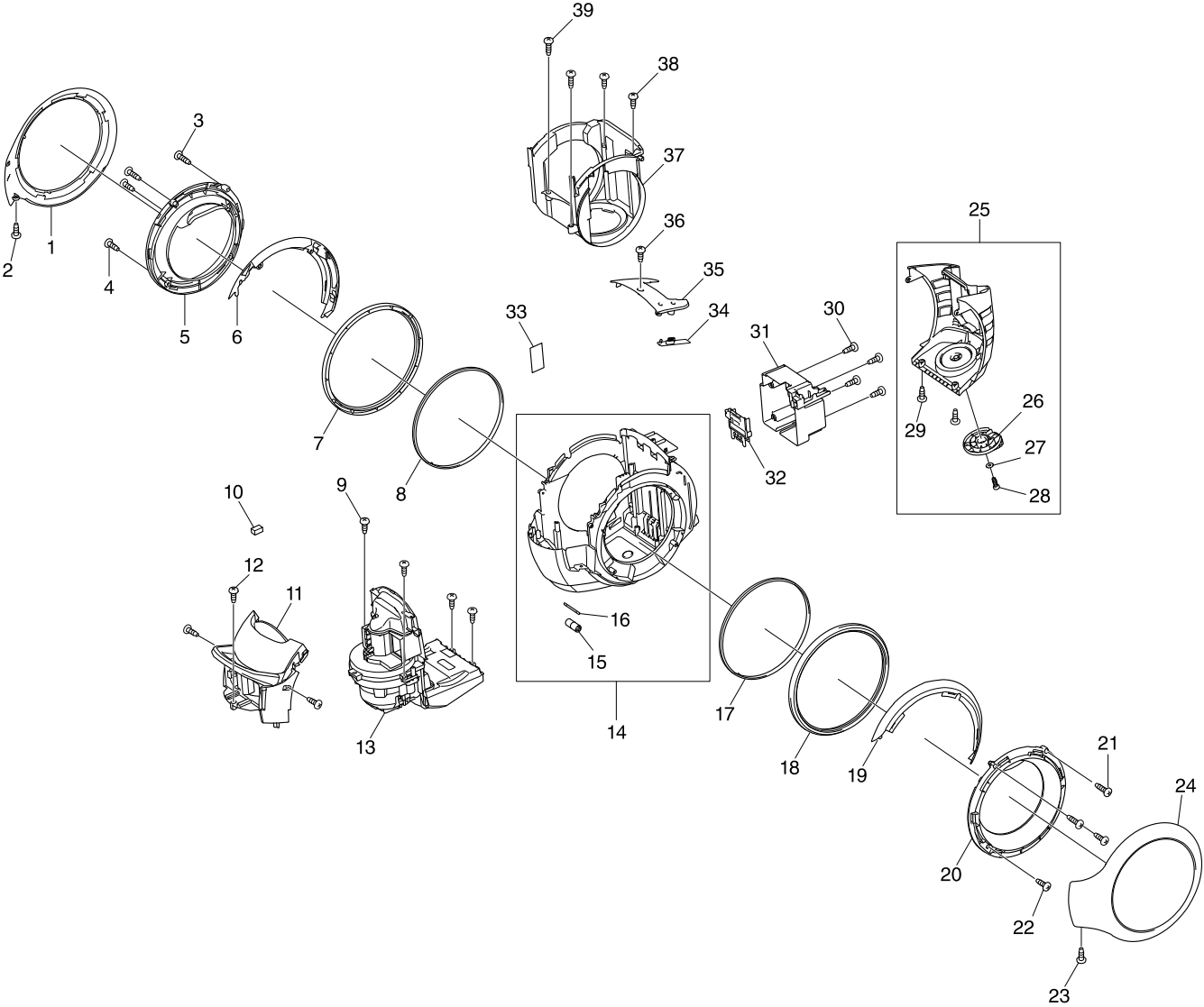
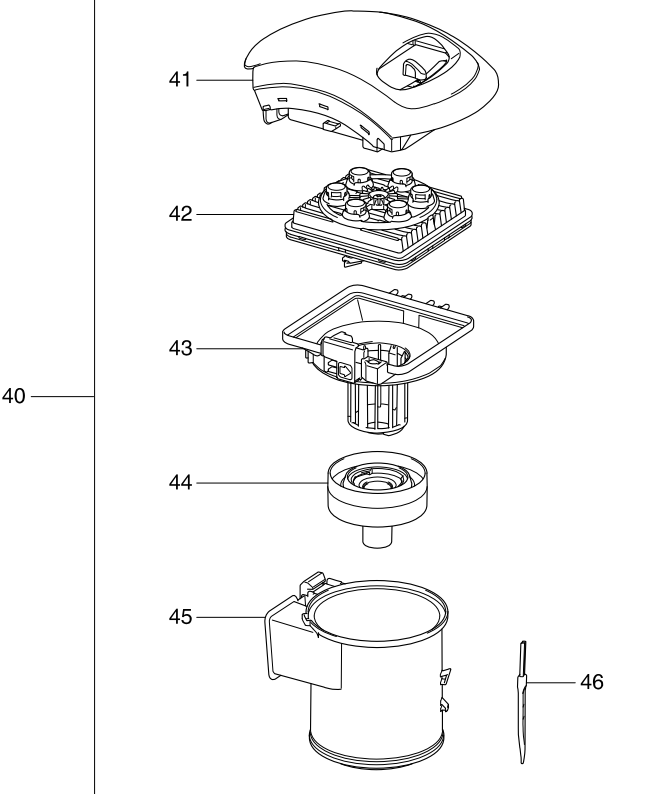
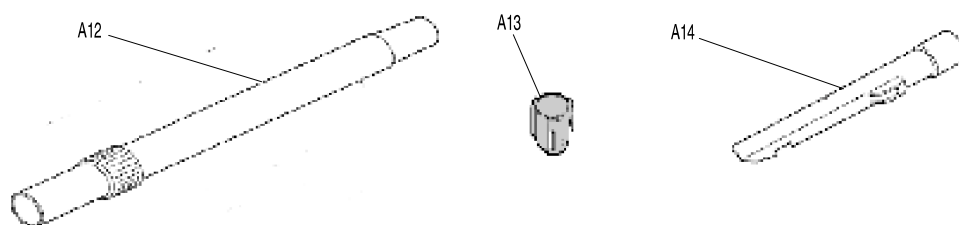
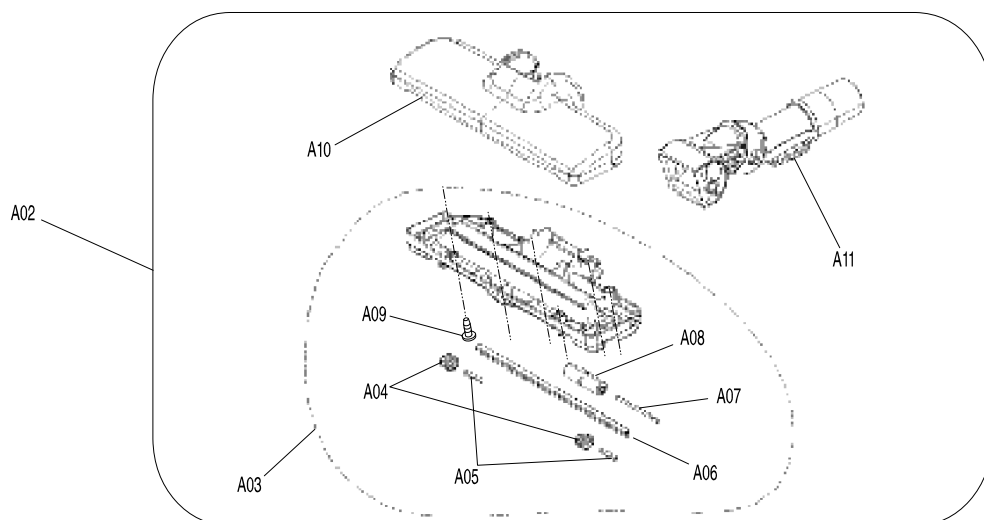
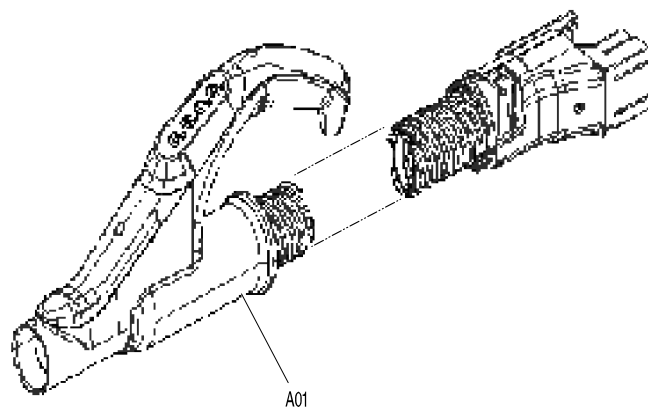


Modell-Nr. DCL501 AKKU-STAUBSAUGER 18.0V







Position	Artikel-Nr.	Beschreibung	I/C	Stk.	N/O	Opt. 1	Opt. 2	Hinweis
001	SH00000011	BODY DECORATION L		1				
002	SH00000021	SCREW M4X12 BLACK		1				
003	SH00000020	SCREW M4X16 SILVER		2				
004	SH00000019	SCREW M4X12 SILVER		2				
005	SH00000255	WHEEL COVER L		1				
006	SH00000006	UPPER BODY L		1				
007	SH00000002	WHEEL BASE		1				
008	SH00000003	WHEEL GIDE		1				
009	SH00000019	SCREW M4X12 SILVER		4				
010	SH00000051	FERRITE		1				
011	SH00000015	DUCT COVER ASSY		1				
012	SH00000019	SCREW M4X12 SILVER		3				
013	SH00000254	ELECTRIC EQUIPMENT UNIT		1				
014	SH00000005	LOWER BODY 2ND ASSY		1				
D10		INC. 15,16						
015	SH00000057	ROLLER D		1				
016	SH00000047	ROLLER SHAFT D		1				
017	SH00000003	WHEEL GIDE		1				
018	SH00000002	WHEEL BASE		1				
019	SH00000007	UPPER BODY R		1				
020	SH00000256	WHEEL COVER R		1				
021	SH00000020	SCREW M4X16 SILVER		2				
022	SH00000019	SCREW M4X12 SILVER		2				
023	SH00000021	SCREW M4X12 BLACK		1				
024	SH00000257	MAIN TRIM		1				
025	SH00000016	EXHAUST COVER ASSY		1				
D10		INC. 26-29						
026	SH00000048	FREE FRAME ASSY		1				
027	SH00000049	WASHER		1				
028	SH00000050	SPECIAL TAP.SCREW		1	*			
028-1	SH00000019	SCREW M4X12 SILVER	O	1				
029	SH00000021	SCREW M4X12 BLACK		2				
030	SH00000019	SCREW M4X12 SILVER		4				
031	SH00000018	BATTERY HOLDER		1				
032	643899-6	KONTAKTEINHEIT BCV02		1				
033	SH00000004	SEAL TAPE		1				
034	SH00000017	MK100 LED CIRCUIT ASS		1				
035	SH00000259	LED PANEL ASSY		1				
036	SH00000019	SCREW M4X12 SILVER		1				
037	SH00000008	BODY INNNER		1				
038	SH00000021	SCREW M4X12 BLACK		3				
039	SH00000022	SCREW M4X16 BLACK		1				
040	SH00000024	DUST CUP ASSY		1	*			
D10		INC. 40-46			*			
040-1	SH00000285	DUST CUP DK	X	1				
D10		INC. 40-46						
041	SH00000026	CUP COVER ASY		1				
042	SH00000027	CUP FILTER ASSY		1	*			

Position	Artikel-Nr.	Beschreibung	I/C	Stk.	N/O	Opt. 1	Opt. 2	Hinweis
042-1	SH00000286	CUP FILTER DK	X	1				
043	SH00000028	CUP FRAME ASSY		1				
044	SH00000029	DUST PLATE		1				
045	SH00000031	LOWER DUST CUP ASSY		1				
046	SH00000032	CLEANING BRUSH		1				
A01	SH00000034	P SUC-HOSE 1ST ASSY		1				
A02	SH00000058	FLOOR NOZZLE ASSY		1				
D10		INC. A03,A10,A11						
A03	SH00000036	F UNDER NOZZLE ASSY		1				
D10		INC. A04-A09						
A04	SH00000053	ROLLER S		1				
A05	SH00000054	ROLLER SHAFT		1				
A06	SH00000052	BRUSH		1				
A07	SH00000056	ROLLER SHAFT D		1				
A08	SH00000055	ROLLER D		1				
A09	SH00000039	SCREW M4X14 SILVER		1				
A10	SH00000038	F UPPER NOZZLE		1				
A11	SH00000059	DRIVE PIPE ASSY		1				
A12	SH00000060	SCREW PIPE ASSY		1				
A13	SH00000041	HOSE FOOK		1				
A14	SH00000042	T CREVICE NOZZLE		1				
A15	SH00000043	MIRROR MAT BAG		1				
A16	166124-3	SHOULDER BELT		1				