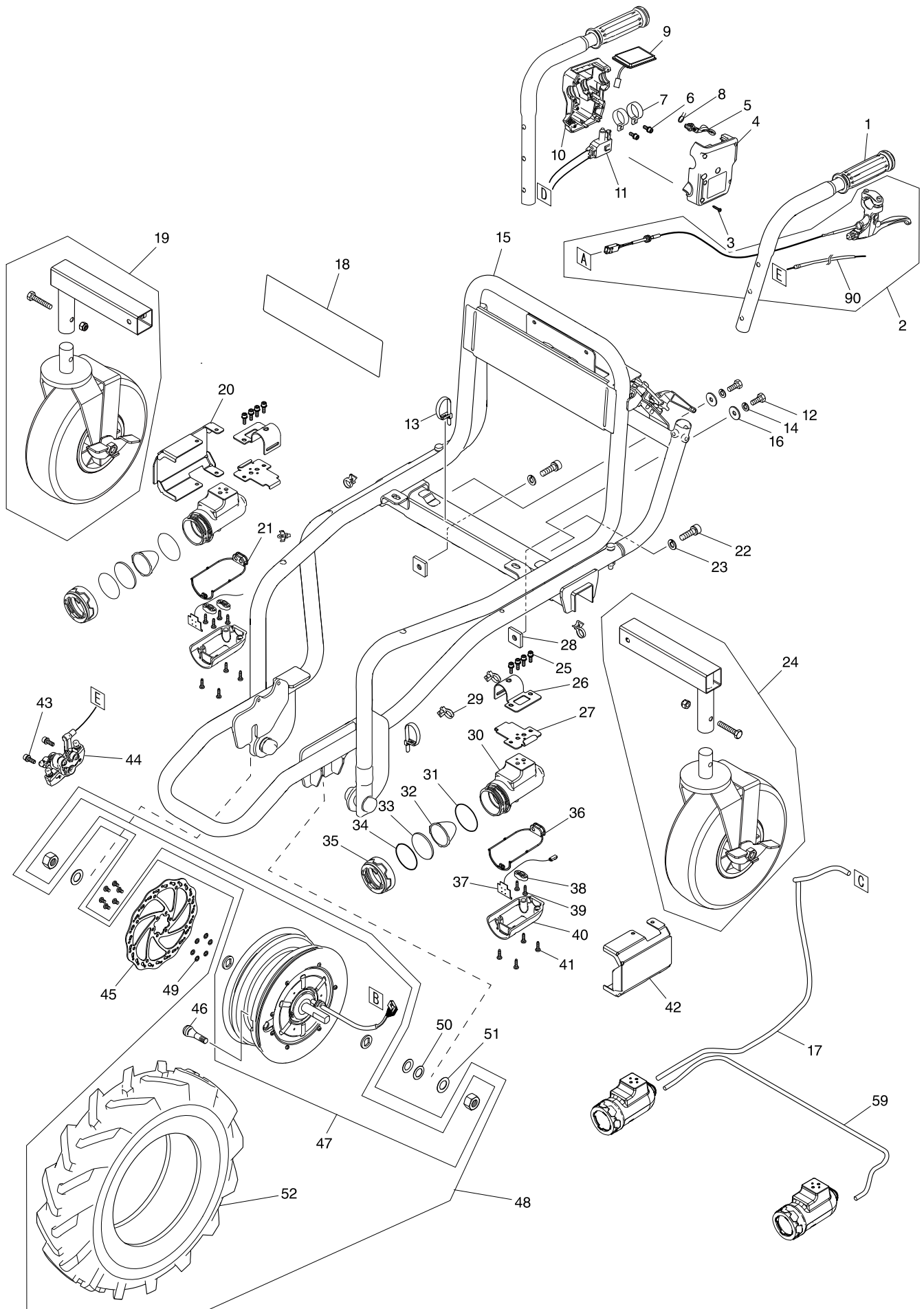
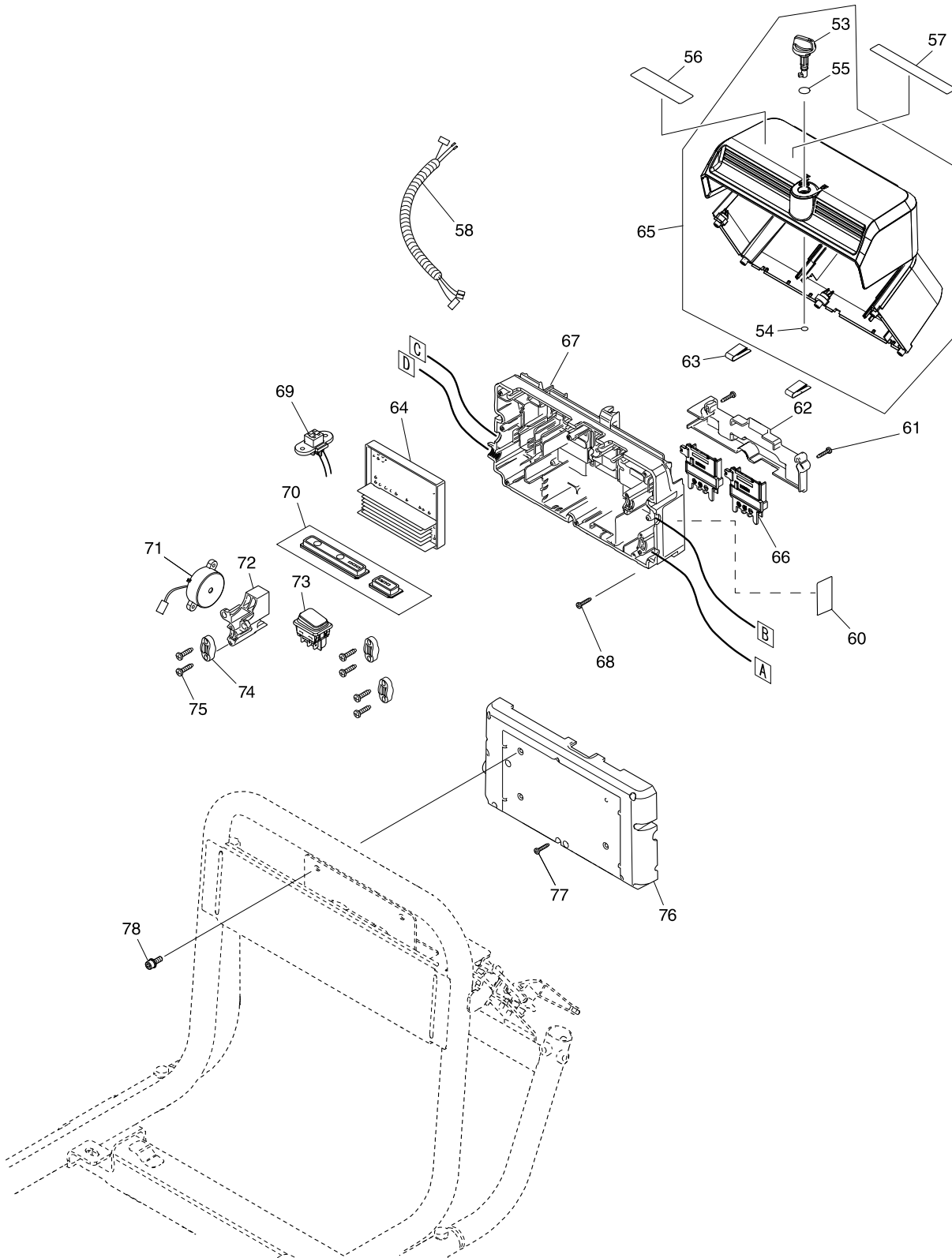


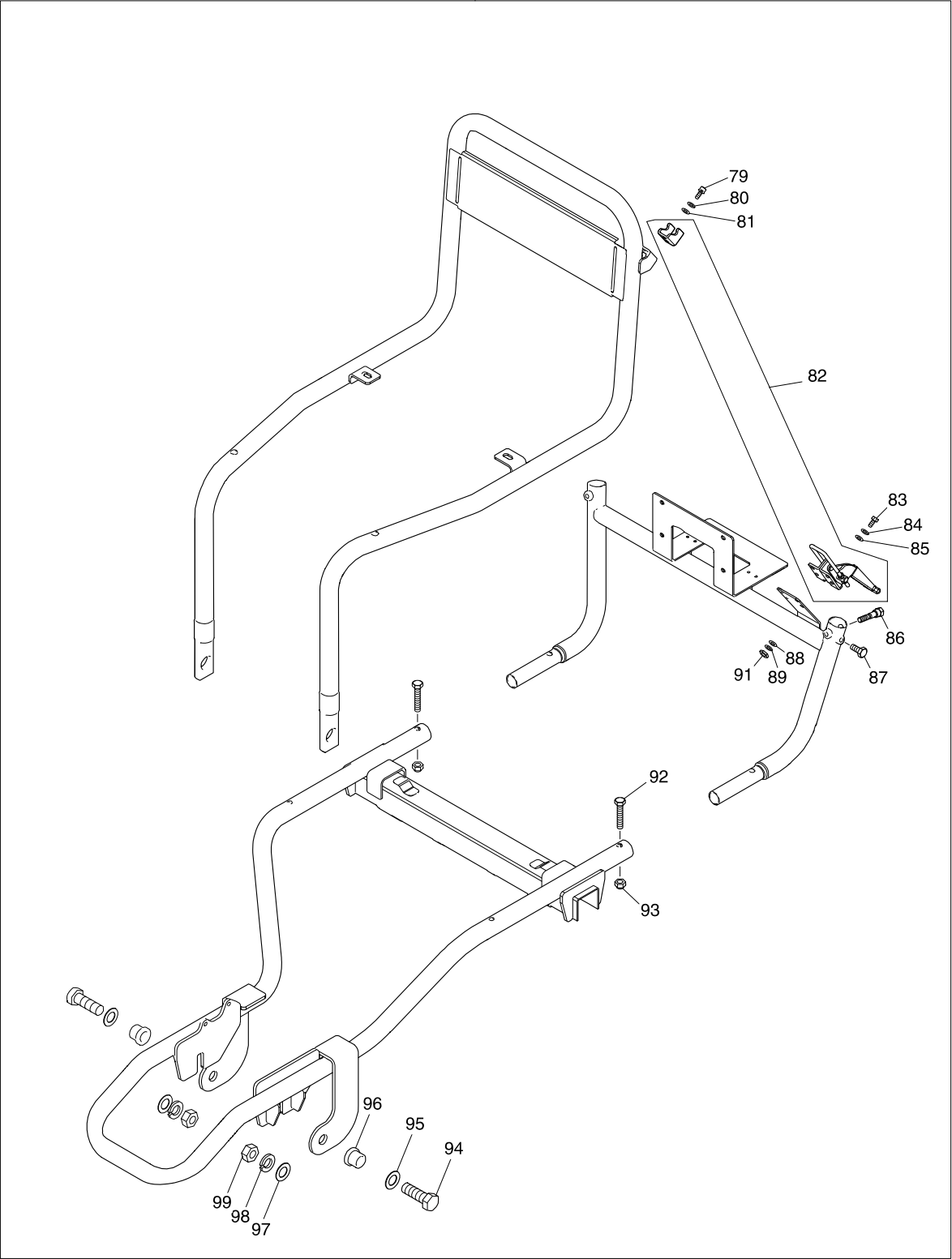
Modell-Nr. DCU180 AKKU-SCHUBKARRE 18V



Modell-Nr. DCU180 AKKU-SCHUBKARRE 18V



15



Position	Artikel-Nr.	Beschreibung	I/C	Stk.	N/O	Opt. 1	Opt. 2	Hinweis
001	161640-0	HANDLE COMPLETE		2				
002	161648-4	BRAKE ASSEMBLY		1				
D10		INC. 90						
003	266130-9	Blechschraube PT 3x16		5				
004	183H15-1	SWITCH BOX SET		1				
C10	813J54-6	CAUTION LABEL		1				
D10		INC. 10						
005	457633-6	SWITCH LEVER		1				
006	922223-9	Schraube M5x16		2				
007	346249-1	Rohrschelle 28		2				
008	233540-5	Spiralfeder 11		1				
009	144521-3	SWITCH PLATE COMPLETE		1				
C10	812S78-3	SWITCH LABEL		1				
010	183H15-1	SWITCH BOX SET		1				
C10	813J54-6	CAUTION LABEL		1				
D10		INC. 4						
011	650781-2	SWITCH C3JW-6B-P		1				
012	251595-8	HEX.BOLT M8X20		2				
013	687410-4	Schelle		2				
014	942201-3	Federring 8		2				
015	126589-1	FRAME ASSEMBLY		1				
D10		INC. 79-89,91-99						
016	253852-0	Unterlagscheibe 8		2				
017	699095-4	POWER SUPPLY CORD UNIT		1				
018	812S79-1	MAKITA LOGO LABEL		1				
019	126893-8	REAR TIRE R ASSEMBLY		1				
C10	161639-5	JOINT		1				
C20	161868-0	TIRE 260 WITH STOPPER		1				
C30	921467-8	6-KANTSCHRAUBE M8x45		1				
C40	252105-4	Mutter M8-13		1				
020	347278-7	GUARD R		1				
021	422151-3	PACKING		1				
022	266240-2	Innensechskantschraube M10x25		2				
023	941251-5	Unterlagscheibe 10		2				
024	126837-8	REAR TIRE L ASSEMBLY		1				
C10	161663-8	JOINT L		1				
C20	161868-0	TIRE 260 WITH STOPPER		1				
C30	921467-8	6-KANTSCHRAUBE M8x45		1				
C40	252105-4	Mutter M8-13		1				
025	922223-9	Schraube M5x16		8				
026	347238-9	CLAMP A		2				
027	347239-7	CLAMP B		2				
028	347394-5	PLATE		2				
029	687849-1	BAND		5				
030	319594-7	LIGHT CASE		2				
031	213656-2	O-Ring 53		2				
032	457636-0	REFLECTOR		2				
033	457634-4	LENS		2				

Position	Artikel-Nr.	Beschreibung	I/C	Stk.	N/O	Opt. 1	Opt. 2	Hinweis
034	213604-1	O-Ring 50		2				
035	457635-2	COVER		2				
036	422166-0	PACKING		1				
037	620685-2	LED CIRCUIT		2				
038	687123-7	Kabelklemmplatte		3				
039	266034-5	Blechsraube CT 4x16		6				
040	319595-5	LIGHT CASE COVER		2				
041	266034-5	Blechsraube CT 4x16		8				
042	347279-5	GUARD L		1				
043	922328-5	Innensechskantschraube M6x18		2				
044	161641-8	BRAKE CALIPER ASSEMBLY		1				
045	347208-8	BRAKE DISC		1				
046	161638-7	SNAP IN VALVE		1				
047	126590-6	WHEEL		1				
C10	BF00000002	HEX. NUT M16		2				
C20	BF00000003	FLAT WASHER		2				
C30	BF00000001	HEX. SOCKET BUTTON BOLT M5X8		6				
048	126734-8	FRONT TIRE ASSEMBLY		1				
D10		INC. 46,47,52						
049	941102-2	Unterlagscheibe 5		6				
050	232247-0	CONED DISC SPRING 16		2				
051	253377-4	FLAT WASHER 17		2				
052	422159-7	FRONT TIRE 430		1				
053	457625-5	LEVER 25		1				
054	213005-3	O-Ring 5		1				
055	213078-6	O-Ring 10		1				
056	816M70-5	INDICATION LABEL		1				
057	816N32-9	CAUTION LABEL		1				
058	632K49-4	LEAD UNIT		1				
059	699096-2	POWER SUPPLY CORD UNIT		1				
C10	682576-5	GROMMET		1				
C20	688162-0	FILTER UB1103		2				
060	853S84-9	DCU180 NAME PLATE		1				
061	266130-9	Blechsraube PT 3x16		2				
062	457629-7	TERMINAL HOLDER		1				
063	232267-4	Blattfeder		2				
064	620675-5	CONTROLLER		1				
065	135934-9	BATTERY BOX ASSY		1				
D10		INC. 53-55						
066	643874-2	TERMINAL		2				
067	144519-0	CENTER CASE COMPLETE		1				
C10	263005-3	Gummistift 6		4				
068	266130-9	Blechsraube PT 3x16		5				
069	632K50-9	LEAD UNIT		1				
070	144520-5	SUB CONTROLLER COMPLETE		1				
071	620684-4	BUZZER CIRCUIT		1				
072	457630-2	COVER		1				
073	651534-2	Schalter 1934.3112B		1				

Position	Artikel-Nr.	Beschreibung	I/C	Stk.	N/O	Opt. 1	Opt. 2	Hinweis
074	687123-7	Kabelklemmplatte		3				
075	266326-2	Schraube 4x18		6				
076	457628-9	FRONT COVER		1				
077	266130-9	Blechschrabe PT 3x16		8				
078	922218-2	Schraube M5x14		4				
079	TR00000069	HEX.SOCKET HEAD BOLT M5X14		2				
080	942101-7	Federring 5		2				
081	941101-4	Unterlagscheibe 5		2				
082	TR00000067	LOCK LEVER		1				
083	TR00000068	HEX.BOLT M5X16		4				
084	942101-7	Federring 5		4				
085	941101-4	Unterlagscheibe 5		4				
086	251594-0	SHOULDER HEX. BOLT M8X40		2				
087	251595-8	HEX.BOLT M8X20		2				
088	941101-4	Unterlagscheibe 5		4				
089	942101-7	Federring 5		4				
090	144700-3	BRAKE CABLE		1				
091	931202-6	Mutter M5		4				
092	921467-8	6-KANTSCHRAUBE M8x45		2				
093	252105-4	Mutter M8-13		2				
094	TR00000070	HEX.BOLT M16X50		2				
095	TR00000073	FLAT WASHER 17		2				
096	326968-5	SLEEVE 17		2				
097	TR00000073	FLAT WASHER 17		2				
098	TR00000072	SPRING 16		2				
099	TR00000071	HEX.NUT M16-24		2				
A01	144675-6	FOOT COMPLETE		2				
A02	455588-9	WIRE CLAMP		2				
A03	643890-4	Einschaltsperr		1				
A04	781006-4	Einmaulschlüssel SW 13		2				
E01	688162-0	FILTER UB1103		2				