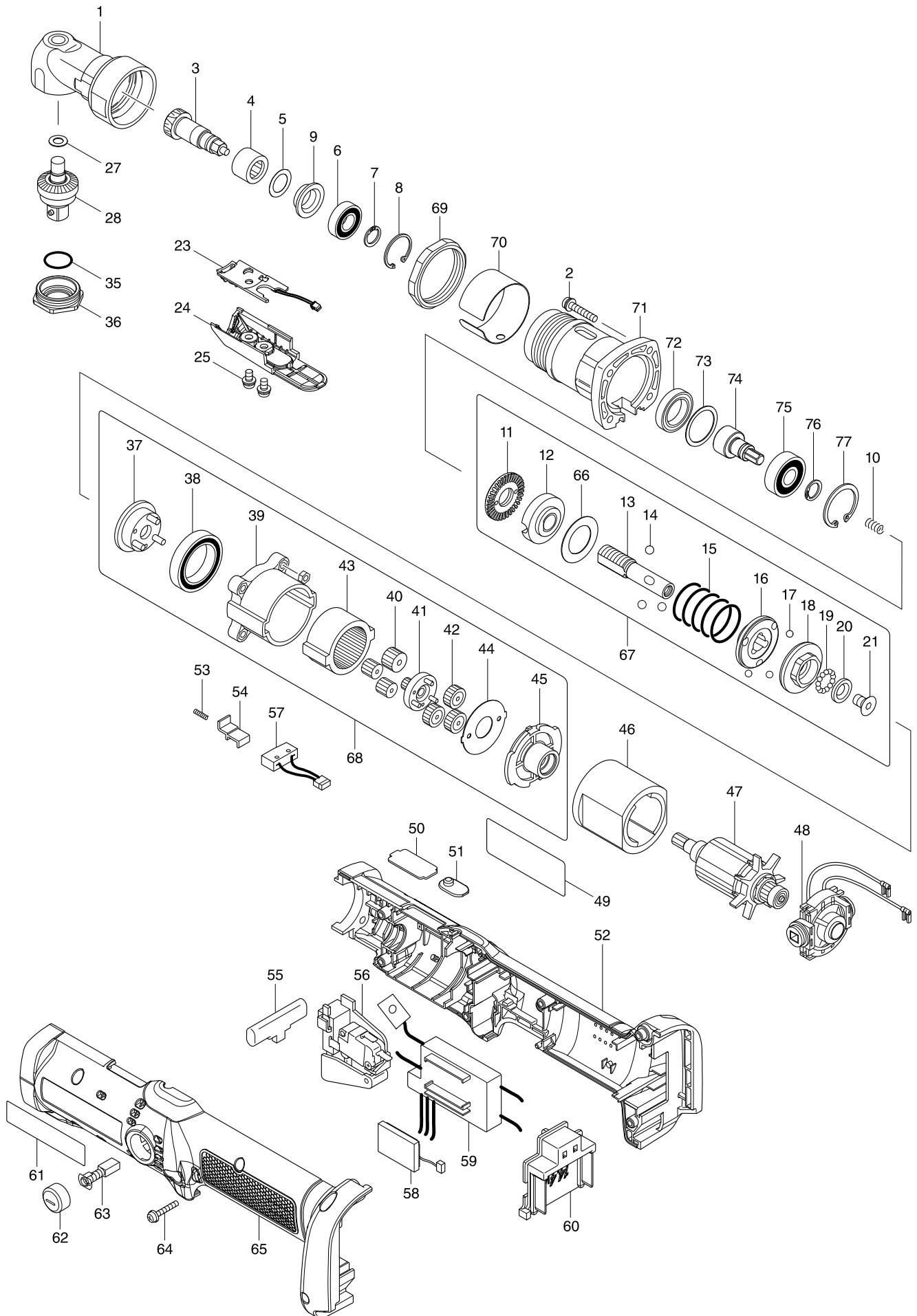


Modell-Nr. DFL203F AKKU-ABSCHALTSCRAUBER



| Position | Artikel-Nr. | Beschreibung | I/C | Stk. | N/O | Opt. 1 | Opt. 2 | Hinweis |
|----------|-------------|-------------------------------|-----|------|-----|--------|--------|---------|
| 001 | 144572-6 | ANGLE HEAD COMPLETE | | 1 | * | | | |
| 001-1 | 126725-9 | ANGLE HEAD ASSEMBLY | X | 1 | | | | |
| C10 | 144572-6 | ANGLE HEAD COMPLETE | | 1 | * | | | |
| C11 | 144970-4 | ANGLE HEAD COMPLETE | O | 1 | | | | |
| D10 | | INC. 3-9,27,28,35,36,69,71-77 | | | | | | |
| 002 | 265145-3 | Kombi-Schraube M4x22 | | 4 | | | | |
| 003 | 227478-4 | Kegelrad 9 | | 1 | | | | |
| 004 | 212122-6 | Nadellager 1212 | | 1 | | | | |
| 005 | 253312-2 | Scheibe 12 | | 1 | | | | |
| 006 | 210057-5 | Rillenkugellager 6900LLB | | 1 | | | | |
| 007 | 961026-6 | Sicherungsring S-10 | | 1 | | | | |
| 008 | 962102-9 | Sicherungsring R-22 | | 1 | | | | |
| 009 | 345281-2 | Ring | | 1 | | | | |
| 010 | 233019-6 | Druckfeder 5 | | 1 | | | | |
| 011 | 324834-0 | Sicherungsscheibe | | 1 | | | | |
| 012 | 158408-3 | Einstellring | | 1 | | | | |
| 013 | 324296-2 | Spindel | | 1 | | | | |
| 014 | 216018-3 | Kugel 5.0 | | 3 | | | | |
| 015 | 234029-6 | Druckfeder 19H | | 1 | | | | |
| 016 | 223146-7 | Kupplungsscheibe D | | 1 | | | | |
| 017 | 216024-8 | Kugel 4 | | 3 | | | | |
| 018 | 223139-4 | Kupplungsscheibe A | | 1 | | | | |
| 019 | 216019-1 | Kugel 3 | | 13 | | | | |
| 020 | 267247-1 | Scheibe 7 | | 1 | | | | |
| 021 | 266305-0 | Torx Schraube M5x10 | | 1 | | | | |
| 023 | 620396-9 | LED CIRCUIT | | 1 | | | | |
| 024 | 457976-6 | SWITCH COVER | | 1 | | | | |
| 025 | 265171-2 | Schraube M4x8 | | 2 | | | | |
| 027 | 253777-8 | Scheibe 8 | | 1 | | | | |
| 028 | 154447-1 | Spindel A | | 1 | | | | |
| 035 | 213222-5 | O-Ring 15 | | 1 | | | | |
| 036 | 285722-5 | Lagerabdeckung | | 1 | | | | |
| 037 | 153444-4 | Planetenradtraeger | | 1 | | | | |
| 038 | 211375-4 | Rillenkugellager 6805LLB | | 1 | | | | |
| 039 | 418004-2 | Getriebegehäuse | | 1 | | | | |
| C10 | 931102-0 | Mutter M4 | | 4 | | | | |
| 040 | 227052-8 | Planetenrad 18 | | 3 | | | | |
| 041 | 153448-6 | Sonnenrad 9 | | 1 | | | | |
| 042 | 227051-0 | Planetenrad 19 | | 3 | | | | |
| 043 | 227048-9 | Hohlrad 47 | | 1 | | | | |
| 044 | 267774-8 | Verriegelungsscheibe | | 1 | | | | |
| 045 | 418003-4 | Motorlagerschild | | 1 | | | | |
| 046 | 638183-2 | Dauermagnet | | 1 | | | | |
| 047 | 619318-4 | Anker 14,4V | | 1 | | | | |
| 048 | 638928-8 | LAGERTRÄGER BFL080F-BFL200F | | 1 | | | | |
| C10 | 688172-7 | Filter | | 1 | | | | |
| 049 | 853G36-8 | DFL203F NAME PLATE | | 1 | | | | |
| 050 | 345284-6 | Platte C | | 1 | | | | |

