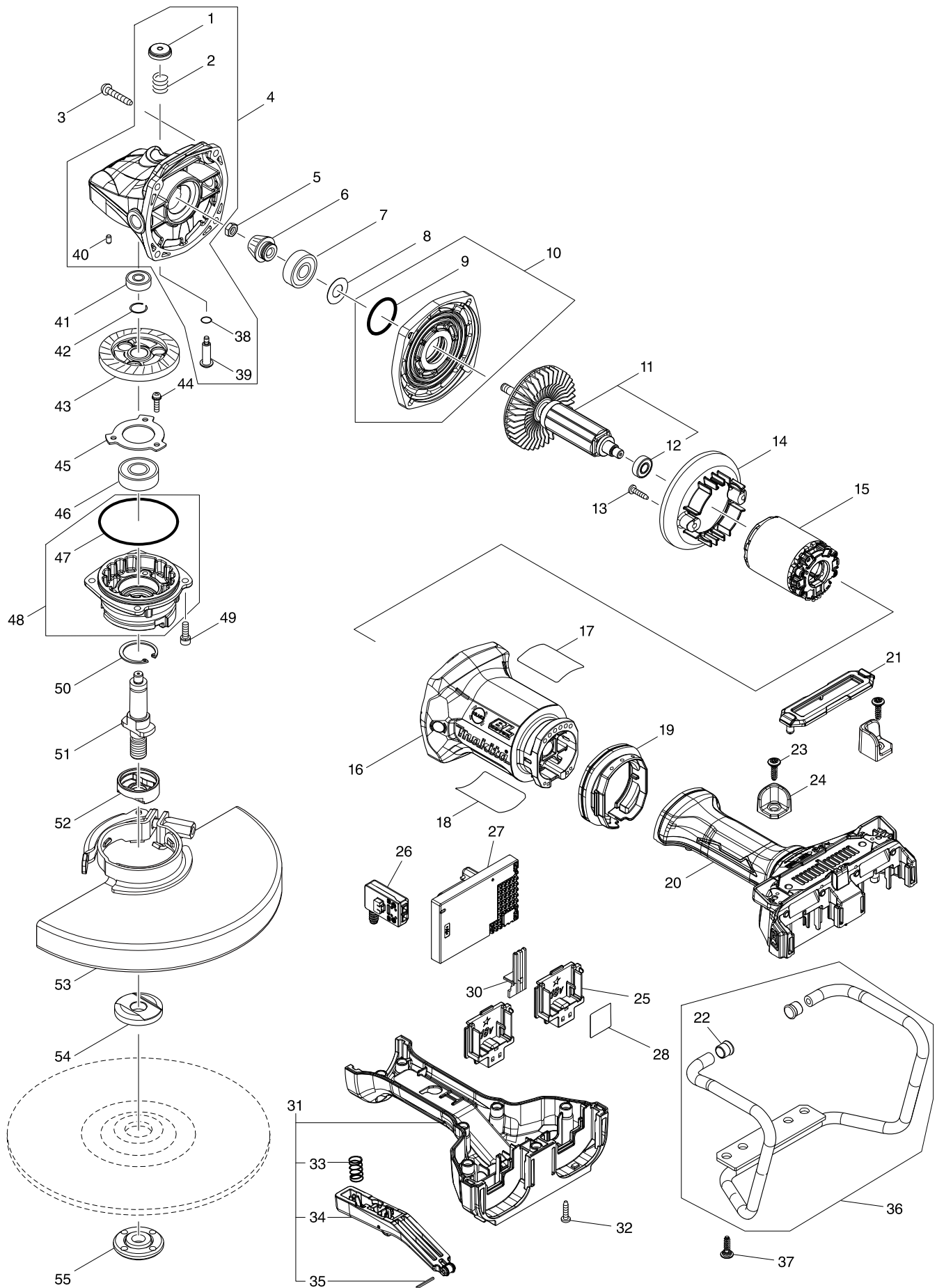


Modell-Nr. DGA900 AKKU-WINKELSCHLEIFER



Modell-Nr. DGA900 AKKU-WINKELSCHLEIFER

Seite 1 / 2

Position	Artikel-Nr.	Beschreibung	I/C	Stk.	N/O	Opt. 1	Opt. 2	Hinweis
001	451485-7	Kunststoffkappe		1				
002	233089-5	Druckfeder 12		1				
003	266173-1	Blechschraube PT 5x30		4				
004	135918-7	GEAR HOUSING ASS'Y		1				
D10		INC. 1,2,38-40						
005	264010-3	Sechskantmutter M7		1				
006	227563-3	Kegelrad 10B		1				
007	211137-0	Rillenkugellager 6201LLU		1				
008	253759-0	Scheibe 12		1				
009	213459-4	O-Ring 32		1				
010	135916-1	GEAR HOUSING COVER ASS'Y		1				
D10		INC. 9						
011	519436-7	ROTOR ASS'Y		1				
D10		INC. 12						
012	211166-3	BALL BEARING 698DDW		1				
013	266326-2	Schraube 4x18		2				
014	457618-2	BAFFLE PLATE		1				
015	629260-1	STATOR		1				
016	457615-8	MOTOR HOUSING		1				
018	853J89-5	DGA900 NAME PLATE		1				
019	457619-0	VIBRATION PROOF RUBBER		1				
020	135920-0	HANDLE SWITCH LEVER ASS'Y		1				
C10	263005-3	Gummistift 6		4				
D10		INC. 31,33-35						
021	457620-5	DUST COVER		1				
022	422230-7	CAP		2				
023	251587-7	H.L.TAPPING SCREW 5X18		2				
024	327048-0	PROTECTION BLOCK		2				
025	644809-6	TERMINAL		2				
026	651083-9	SWITCH C3XA-1PSPM		1				
027	135935-7	CONTROLLER ASSEMBLY		1				
028	853J94-2	DGA900 SERIAL NO. LABEL		1				
030	457621-3	LENS		1				
031	135920-0	HANDLE SWITCH LEVER ASS'Y		1				
C10	263005-3	Gummistift 6		4				
D10		INC. 20,33-35						
032	265999-8	Blechschraube 4x25		7				
033	234357-9	COMPRESSION SPRING 11		1				
034	144584-9	SWITCH LEVER COMPLETE		1				
035	951019-1	KERBSTIFT 2-20 6305/W		1				
036	135919-5	GUARD PIPE ASS'Y		1				
D10		INC. 22						
037	251587-7	H.L.TAPPING SCREW 5X18		4				
038	213026-5	O-Ring 7		1				
039	256516-5	Spindelarretierstift 11		1				
040	263002-9	Gummistift 4		1				
041	210029-0	Rillenkugellager 608ZZ		1				
042	233925-5	Sprenging 13		1				

