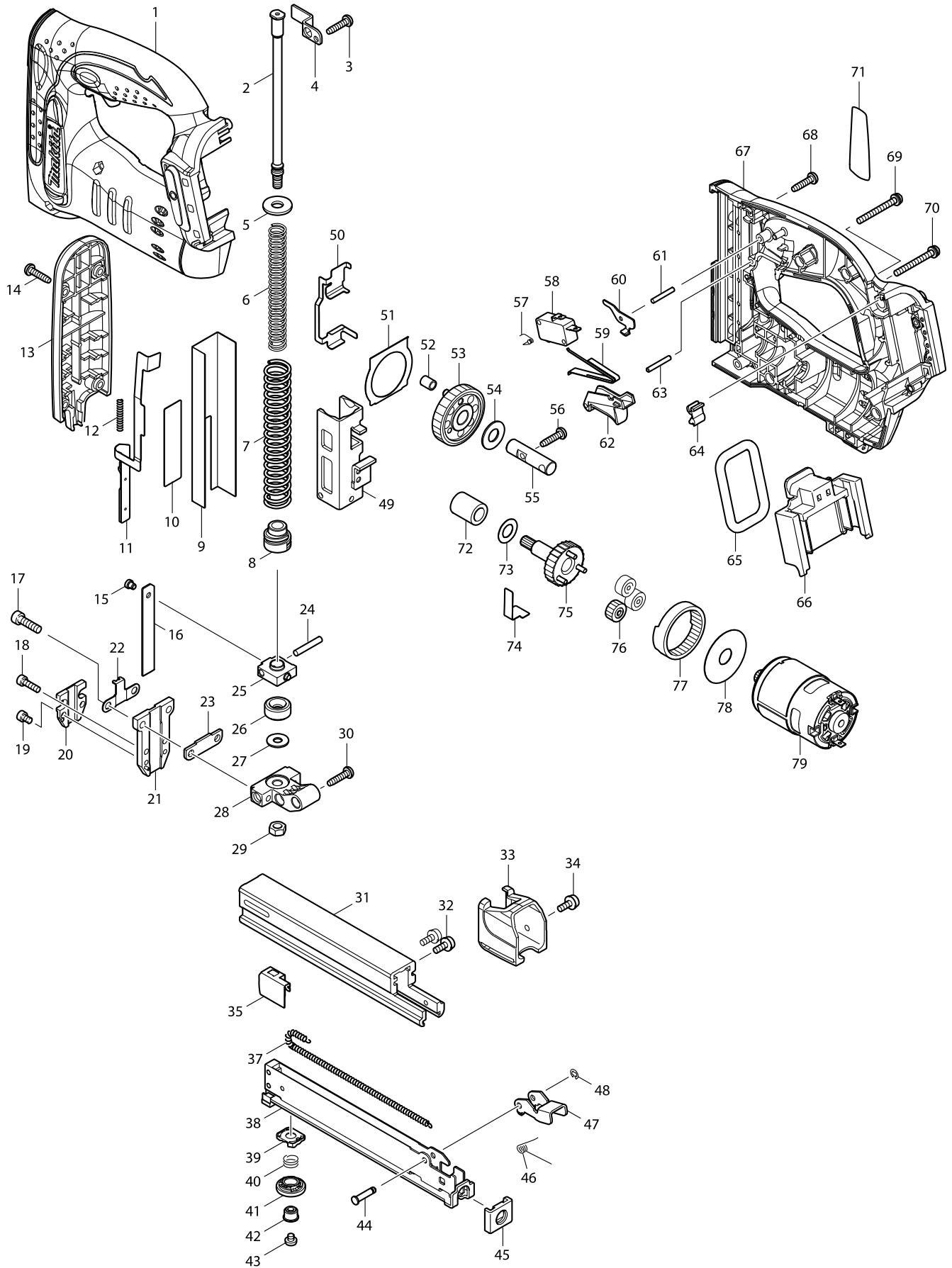


Modell-Nr. DST221 AKKU-TACKER 18V



| Position | Artikel-Nr. | Beschreibung | I/C | Stk. | N/O | Opt. 1 | Opt. 2 | Hinweis |
|----------|-------------|------------------------------|-----|------|-----|--------|--------|---------|
| 001 | 187938-7 | HOUSING SET | | 1 | | | | |
| C10 | 263005-3 | Gummistift 6 | | 2 | | | | |
| D10 | | INC. 67 | | | | | | |
| 002 | 325635-9 | Fuehrungsstange | | 1 | | | | |
| 003 | 265995-6 | Schraube 4x18 | | 1 | | | | |
| 004 | 345907-6 | Klemmplatte | | 1 | | | | |
| 005 | 253762-1 | Scheibe 8 | | 1 | | | | |
| 006 | 234060-2 | Druckfeder 9 | | 1 | | | | |
| 007 | 234101-4 | Druckfeder 13 | | 1 | | | | |
| 008 | 424135-7 | Federhalter | | 1 | | | | |
| 009 | 345978-3 | Fuehrungsschiene | | 1 | | | | |
| 010 | 345906-8 | Platte | | 1 | | | | |
| 011 | 165602-0 | Gleitblech | | 1 | * | | | |
| 011-1 | 161468-6 | SAFETY LEVER | S | 1 | | | | |
| 012 | 234078-3 | Druckfeder 4 | | 1 | | | | |
| 013 | 450539-7 | Abdeckung | | 1 | | | | |
| 014 | 265995-6 | Schraube 4x18 | | 4 | | | | |
| 015 | 268157-5 | Stift 4 | | 1 | | | | |
| 016 | 345996-1 | Austreiber | | 1 | | | | |
| 017 | 922227-1 | Innensechskantschraube M5x18 | | 2 | | | | |
| 018 | 266201-2 | Innensechskantschraube M4x14 | | 2 | | | | |
| 019 | 266199-3 | Innensechskantschraube M4x6 | | 2 | | | | |
| 020 | 451801-3 | Gleitblechfuehrung | | 1 | * | | | |
| 020-1 | 456800-0 | SAEFTY LEVER GUIDE | S | 1 | | | | |
| 021 | 158759-4 | Austreiberfuehrung | | 1 | | | | |
| 022 | 345910-7 | Federfuehrungsanschlag | | 1 | | | | |
| 023 | 344670-8 | Platte | | 1 | | | | |
| 024 | 256206-0 | Stift 4 | | 1 | | | | |
| 025 | 313150-5 | Druckfedersitz | | 1 | | | | |
| 026 | 424099-5 | Vibrationsdaempfung | | 1 | | | | |
| 027 | 253804-1 | Unterlagscheibe 6 | | 1 | | | | |
| 028 | 318267-9 | Halter | | 1 | | | | |
| 029 | 931302-2 | Mutter M6 | | 1 | | | | |
| 030 | 265995-6 | Schraube 4x18 | | 1 | | | | |
| 031 | 331842-4 | Magazinfuehrung | | 1 | | | | |
| 032 | 911113-1 | Kombi-Schraube M4x10 | | 2 | | | | |
| 033 | 450540-2 | Kappe | | 1 | | | | |
| 034 | 911113-1 | Kombi-Schraube M4x10 | | 1 | | | | |
| 035 | 345997-9 | Druecker | | 1 | | | | |
| 037 | 231854-6 | Zugfeder 3 | | 1 | | | | |
| 038 | 165532-5 | Magazin | | 1 | | | | |
| 039 | 450775-5 | Justierplatte | | 1 | | | | |
| 040 | 231323-7 | Druckfeder 9 | | 1 | | | | |
| 041 | 450702-2 | Justierer | | 1 | | | | |
| 042 | 450774-7 | Verriegelungshuelse | | 1 | | | | |
| 043 | 265127-5 | Schraube M4x4 | | 1 | | | | |
| 044 | 268029-4 | Stift 4 | | 1 | | | | |
| 045 | 421637-4 | Magazinkappe | | 1 | | | | |

| Position | Artikel-Nr. | Beschreibung | I/C | Stk. | N/O | Opt. 1 | Opt. 2 | Hinweis |
|----------|-------------|----------------------------|-----|------|-----|--------|--------|---------|
| 046 | 233528-5 | Spiralfeder 5 | | 1 | | | | |
| 047 | 345861-4 | Magazinverriegelung | | 1 | | | | |
| 048 | 961017-7 | Sicherungsscheibe E-3 | | 1 | | | | |
| 049 | 165506-6 | Hammer | | 1 | | | | |
| 050 | 345914-9 | Gleitplatte | | 1 | | | | |
| 051 | 343629-2 | Platte | | 1 | | | | |
| 052 | 257772-0 | Huelse 5 | | 1 | | | | |
| 053 | 158646-7 | Stirnrad 55 | | 1 | | | | |
| 054 | 253171-4 | Unterlagscheibe 10 | | 1 | | | | |
| 055 | 324947-7 | Stift 10 | | 1 | | | | |
| 056 | 265995-6 | Schraube 4x18 | | 1 | | | | |
| 057 | 233531-6 | Spiralfeder 3 | | 1 | | | | |
| 058 | 651891-8 | Schalter V-15-3A6 | | 1 | | | | |
| 059 | 232240-4 | Blattfeder | | 1 | | | | |
| 060 | 345908-4 | Entriegelungshebel | | 1 | | | | |
| 061 | 256221-4 | Stift 3 | | 1 | | | | |
| 062 | 450536-3 | Schalterwippe | | 1 | | | | |
| 063 | 256221-4 | Stift 3 | | 1 | | | | |
| 064 | 424026-2 | Daempfer | | 1 | | | | |
| 065 | 424030-1 | Daempfungsscheibe | | 1 | | | | |
| 066 | 644812-7 | TERMINAL | | 1 | | | | |
| 067 | 187938-7 | HOUSING SET | | 1 | | | | |
| C10 | 263005-3 | Gummistift 6 | | 2 | | | | |
| D10 | | INC. 1 | | | | | | |
| 068 | 265995-6 | Schraube 4x18 | | 6 | | | | |
| 069 | 911163-6 | Kombi-Schraube M4x35 | | 1 | | | | |
| 070 | 911163-6 | Kombi-Schraube M4x35 | | 1 | | | | |
| 071 | 815X68-5 | DST221 NAME PLATE | | 1 | | | | |
| 072 | 214058-5 | Gleitlager 10 | | 1 | | | | |
| 073 | 253758-2 | Scheibe 10 | | 1 | | | | |
| 074 | 232241-2 | Blattfeder | | 1 | | | | |
| 075 | 158647-5 | Planetenradtraeger 7 | | 1 | | | | |
| 076 | 221961-3 | Planetenrad 27 | | 3 | | | | |
| 077 | 221999-8 | Hohlrad 257 | | 1 | | | | |
| 078 | 267053-4 | Scheibe 12 | | 1 | | | | |
| 079 | 629125-7 | DC MOTOR | | 1 | | | | |
| A01 | 195246-2 | Schutzbrille | | 1 | | | | |
| A02 | 251314-2 | Schraube M4x12 | | 1 | | | | |
| A03 | 346317-0 | Einhaengebuegel | | 1 | | | | |
| A04E | 821550-0 | MAKPAC Gr.2 | | 1 | | | | |
| C10 | 453974-8 | Kofferverschluss MAKPAC | | 4 | | | | |
| A04F | 821550-0 | MAKPAC Gr.2 | | 1 | | | | |
| C10 | 453974-8 | Kofferverschluss MAKPAC | | 4 | | | | |
| A05E | 837640-9 | Tiefziehteil f. MAKPAC | | 1 | | | | |
| A05F | 837640-9 | Tiefziehteil f. MAKPAC | | 1 | | | | |
| A06E | 194204-5 | Akku BL1830 Li 18,0V 3.0Ah | | 2 | * | | | |
| A06-1E | 194204-5 | Akku BL1830 Li 18,0V 3.0Ah | O | 2 | * | | | |
| A06-2E | 197600-6 | BATTERY BL1830B SET | < | 2 | | | | |

