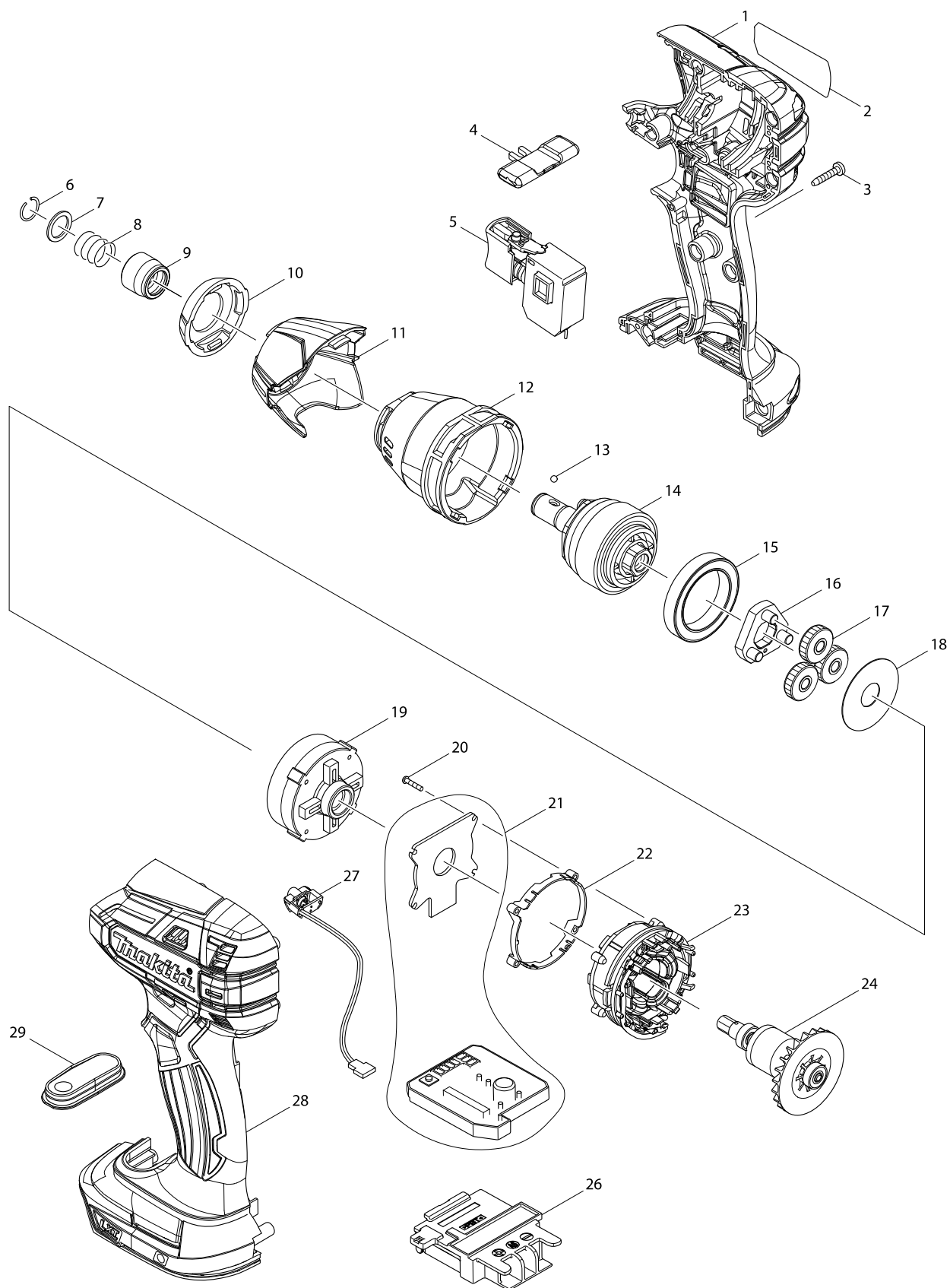


Modell-Nr. DTS141 AKKU-IMPULSSCHRAUBER 18V



Position	Artikel-Nr.	Beschreibung	I/C	Stk.	N/O	Opt. 1	Opt. 2	Hinweis
001	187989-0	HOUSING SET		1				
C10	263005-3	Gummistift 6		2				
C20	252126-6	Sechskantmutter M4-7		2				
D10		INC. 28						
002	850H88-6	DTS141 NAME PLATE		1				
003	266130-9	Blechschraube PT 3x16		9				
004	455053-8	F/R CHANGE LEVER		1				
005	650673-5	Schalter C3JW-1A		1				
006	231965-7	Sprengring 10		1				
007	267143-3	Scheibe		1				
008	234347-2	COMPRESSION SPRING 11		1				
009A	326465-1	BIT SLEEVE		1	*			
009B	326465-1	BIT SLEEVE		1	*			
009-1A	326542-9	BIT SLEEVE	<	1				
009-1B	326542-9	BIT SLEEVE	<	1				
009-1C	326542-9	BIT SLEEVE		1				
009-1D	326542-9	BIT SLEEVE		1				
010	424662-4	BUMPER		1				
011	455468-9	UNIT CASE COVER		1				
012	142928-7	UNIT CASE COMPLETE		1				
C10	213126-1	OIL SEAL 12		1				
C20	211136-2	Rillenkugellager 6801LLB		1				
013	216019-1	Kugel 3		2				
014A	142936-8	OIL UNIT COMPLETE		1	*			
014B	142936-8	OIL UNIT COMPLETE		1	*			
014-1A	142936-8	OIL UNIT COMPLETE	<	1	*			
C10	143265-2	BIT PIECE C COMPLETE		1	*			
014-1B	142936-8	OIL UNIT COMPLETE	<	1	*			
C10	143265-2	BIT PIECE C COMPLETE		1	*			
014-2A	143275-9	OIL UNIT COMPLETE	<	1				
C10	143265-2	BIT PIECE C COMPLETE		1				
014-2B	143275-9	OIL UNIT COMPLETE	<	1				
C10	143265-2	BIT PIECE C COMPLETE		1				
014-2C	143275-9	OIL UNIT COMPLETE		1				
C10	143265-2	BIT PIECE C COMPLETE		1				
014-2D	143275-9	OIL UNIT COMPLETE		1				
C10	143265-2	BIT PIECE C COMPLETE		1				
015	211294-4	Rillenkugellager 6806LLU		1				
016	142929-5	CARRIER COMPLETE		1				
017	227368-1	SPUR GEAR 22		3				
018	267067-3	Scheibe 12		1				
019	227361-5	INTERNAL GEAR 51		1				
020	266786-8	Blechschraube 2x10		4				
021	620354-5	CONTROLLER		1	*			
021-1	620895-1	CONTROLLER	<	1				
022	687464-1	Halter		1				
023	629137-0	STATOR		1				
024	619358-2	ROTOR		1				

