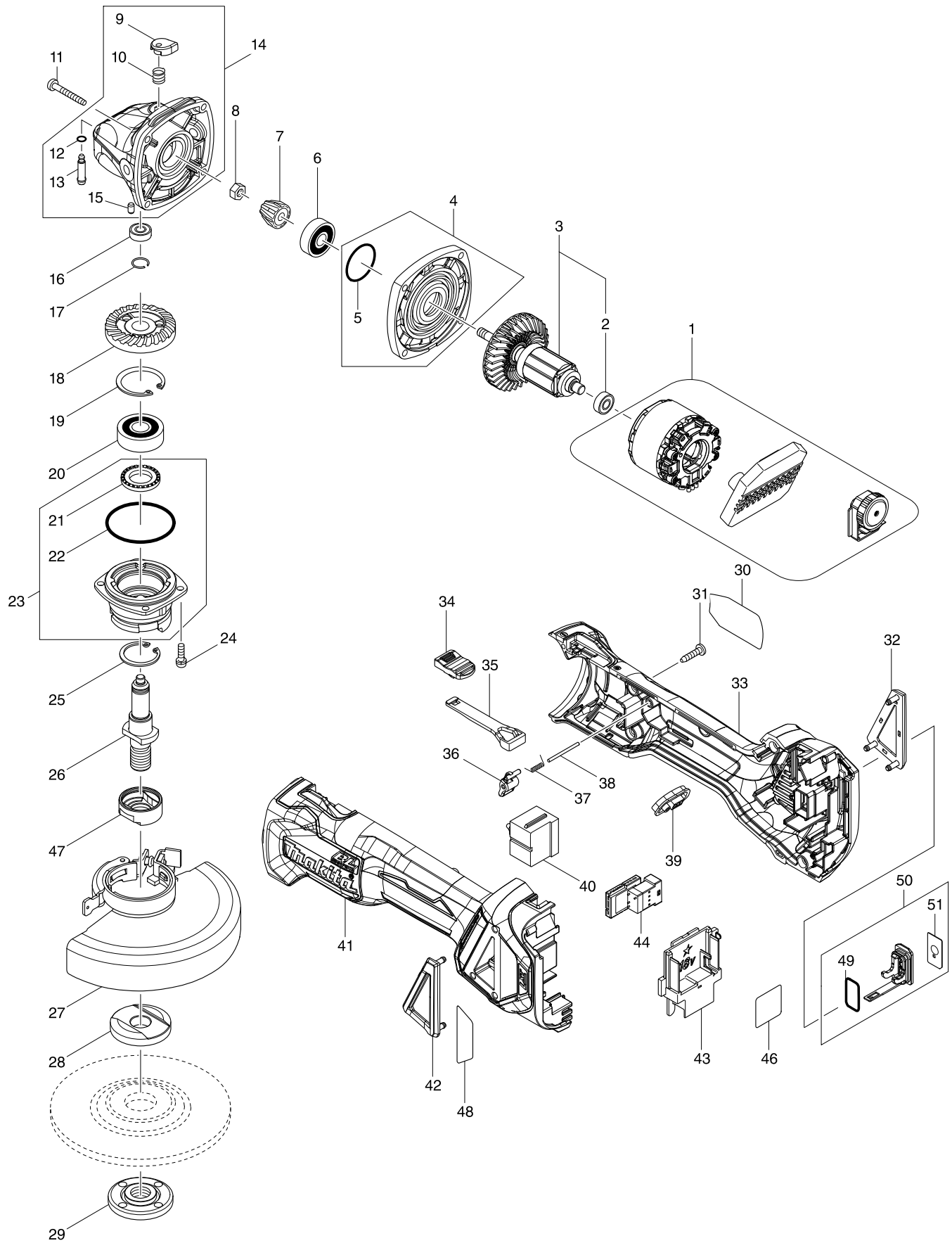


Modell-Nr. DGA514 AKKU-WINKELSCHLEIFER



Modell-Nr. DGA514 AKKU-WINKELSCHLEIFER

Position	Artikel-Nr.	Beschreibung	I/C	Stk.	N/O	Opt. 1	Opt. 2	Hinweis
001	629299-4	STATOR COMPLETE		1				
002	210169-4	BALL BEARING 607LLB		1				
003	510329-1	ROTOR ASS'Y		1				
D10		INC. 2						
004	135930-7	GEAR HOUSING COVER ASSEMBLY		1				
D10		INC. 5						
005	213445-5	O-Ring 26		1				
006	210042-8	Rillenkugellager 629LLB		1				
007	227541-3	RITZEL 10 9554-58NB neu		1				
008	252186-8	Sechskantmutter M6		1				
009	417771-6	Kunststoffkappe		1				
010	233072-2	Druckfeder 8		1				
011	266361-0	Blechschraube 4x30		4				
012	213960-9	O-Ring 5		1				
013	256546-6	SHOULDER PIN 4		1				
014	135929-2	GEAR HOUSING ASSEMBLY		1				
D10		INC. 9,10,12,13,15						
015	263002-9	Gummistift 4		1				
016	210033-9	Rillenkugellager 696ZZ		1				
017	233950-6	Sprengtring 11		1				
018	227641-9	SPIRAL BEVEL GEAR 37		1				
019	962151-6	Sicherungsring R-32		1				
020	211129-9	Rillenkugellager 6201DDW		1				
021	262153-5	Filzring 16		1				
022	213622-9	O-Ring 45		1				
023	135949-6	BEARING BOX ASSEMBLY		1				
D10		INC. 21,22						
024	911121-2	Kombi-Schraube M4x14		4				
025	962105-3	Sicherungsring R-26		1				
026	326672-6	SPINDLE		1				
027	123145-8	Schutzhaube 125mm Trennen		1				
C10	213009-5	O-Ring 4		1				
C20	265180-1	Kombi-Schraube M5x16		1				
028	224447-6	INNER FLANGE 42B		1				
029	224554-5	Flanschmutter		1				
030	853X98-8	DGA514 NAME PLATE		1				
031	266326-2	Schraube 4x18		5				
032	455450-8	DUST COVER R		1				
033	183H84-2	MOTOR HOUSING SET		1				
C10	263005-3	Gummistift 6		2				
D10		INC. 41						
034	455447-7	SWITCH KNOB		1				
035	455446-9	SWITCH LEVER		1				
036	455448-5	LEVER		1				
037	231679-8	TORSION SPRING 2		1				
038	268330-7	PIN 2		1				
039	142901-7	INDICATOR PANEL COMPLETE		1				
040	650579-7	Schalter 1246.3223		1				

Position	Artikel-Nr.	Beschreibung	I/C	Stk.	N/O	Opt. 1	Opt. 2	Hinweis
041	183H84-2	MOTOR HOUSING SET		1				
C10	263005-3	Gummistift 6		2				
D10		INC. 33						
042	455449-3	DUST COVER L		1				
043	643874-2	TERMINAL		1				
044	620752-3	SUB CONTROLLER		1				
046	853Y04-9	DGA514 SERIAL NO. LABEL		1				
047	310514-4	Spindelfuehrungshuelse		1				
048	816D93-9	INDICATION LABEL		1				
049A	213275-4	O-Ring 18		1	*			
049B	213275-4	O-Ring 18		1	*			
049C	213218-6	O RING 16		1				
049D	213218-6	O RING 16		1				
049-1A	213218-6	O RING 16	<	1				
049-1B	213218-6	O RING 16	<	1				
050A	183H92-3	CAP SET		1	*			
D10		INC. 49,51			*			
050B	183H92-3	CAP SET		1	*			
D10		INC. 49,51			*			
050C	183J85-2	CAP SET		1				
050D	183J85-2	CAP SET		1				
050-1A	183J85-2	CAP SET	O	1				
D10		INC. 49,51						
050-1B	183J85-2	CAP SET	O	1				
D10		INC. 49,51						
051	813T75-8	CAP LABEL		1				
A01	158237-4	GRIP 36 COMPLETE		1				
A02	A-80656	Schruppscheibe 125mmINOX100Stk		1				
A03	782423-1	Stirnlochschlüssel 35mm		1				
A04A	198897-0	WIRELESS UNIT SET		1	*			
A04B	198897-0	WIRELESS UNIT SET		1	*			
A04-1A	198900-7	WIRELESS UNIT SET		1				
A04-1B	198900-7	WIRELESS UNIT SET		1				
A05B	450128-8	Kontaktschutzkappe		2				
A05D	450128-8	Kontaktschutzkappe		2				
A06B	***DC18RC	DC18RC FAST CHARGER		1				
D10		COMPO-PARTS						
A06D	***DC18RC	DC18RC FAST CHARGER		1				
D10		COMPO-PARTS						
A07B	197280-8	BATTERY BL1850B SET		2				
A07D	197280-8	BATTERY BL1850B SET		2				
A08B	821551-8	MAKPAC Gr.3		1				
C10	453974-8	Kofferverschluss MAKPAC		4				
A08D	821551-8	MAKPAC Gr.3		1				
C10	453974-8	Kofferverschluss MAKPAC		4				
A09B	816K26-6	DGA514RTJU INDICATION LABEL		1				
A09D	818A60-2	DGA514RTJ INDICATION LABEL		1				
A10B	816K27-4	DGA514RTJU PLASTIC CASE LABEL		2				

