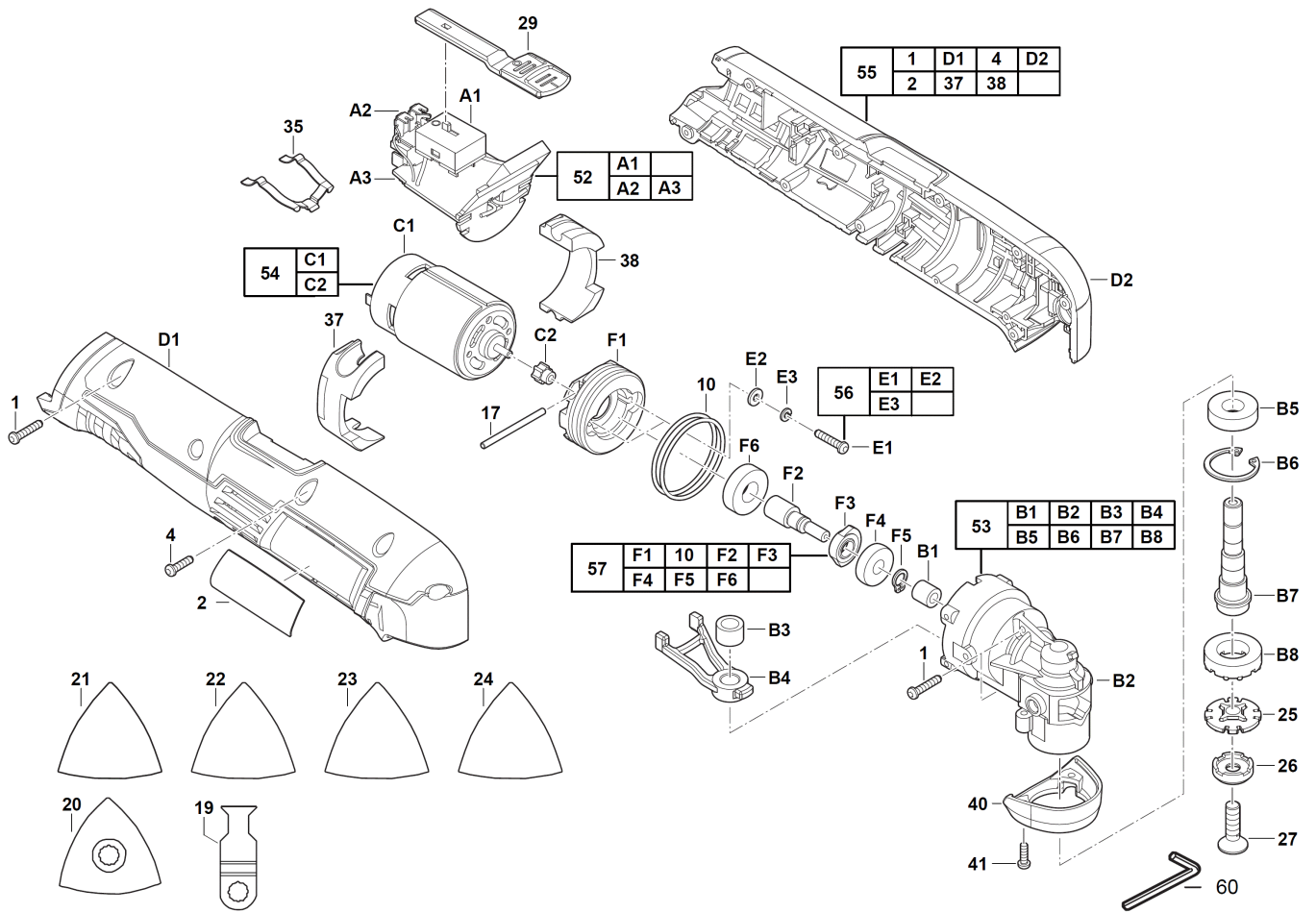


C12MT-0 M12 MULTI TOOL XXX

4933427180 - C12MT-0 - 4000427235





Position	Quantity	Description	Part number	EAN
0001	1	SCREW	660570005	4002395827329
0002	1	NAME PLATE	940038237	4002395850938
0004	1	SCREW	661081001	4002395830787
0010	1	O-RING	562584001	4002395849369
0017	1	BOLT	672254001	4002395849901
0019	1	SAW BLADE	681488001	4002395853434
0020	1	GRINDING DISK	303590005	4002395853441
0021	1	SAND PAPER	902512002	4002395853410
0022	1	SAND PAPER	902512003	4002395853403
0023	1	SAND PAPER	902512001	4002395853427
0024	1	SAND PAPER	902512004	4002395853397
0025	1	NOSEPIECE	611273001	4002395848782
0026	1	NUT	611298001	4002395859641
0027	1	SCREW	661297001	4002395849871
0029	1	SLIDER	350157001	4002395848744
0035	1	SPRING ELEMENT	633680001	4002395849413
0037	1	RUBBER DISC	562687001	4002395847464
0038	1	RUBBER PLATE	562687002	4002395849383
0040	1	COVER	522537001	4002395848775
0041	1	SCREW	660380006	4002395849857
0052	1	SWITCH ASSEMBLY	4931431688	4002395899739
0053	1	GEAR BOX	200281033	4002395849246
0054	1	MOTOR ASSEMBLY	200198006	4002395849239
0055	1	HOUSING	4931431689	4002395899746
0056	1	BOLT SET	201735001	4002395849321
0057	1	BOLT SET	201736001	4002395848737
0060	1	HEX WRENCH D 911 5 GAL	4931616056	4002395694501