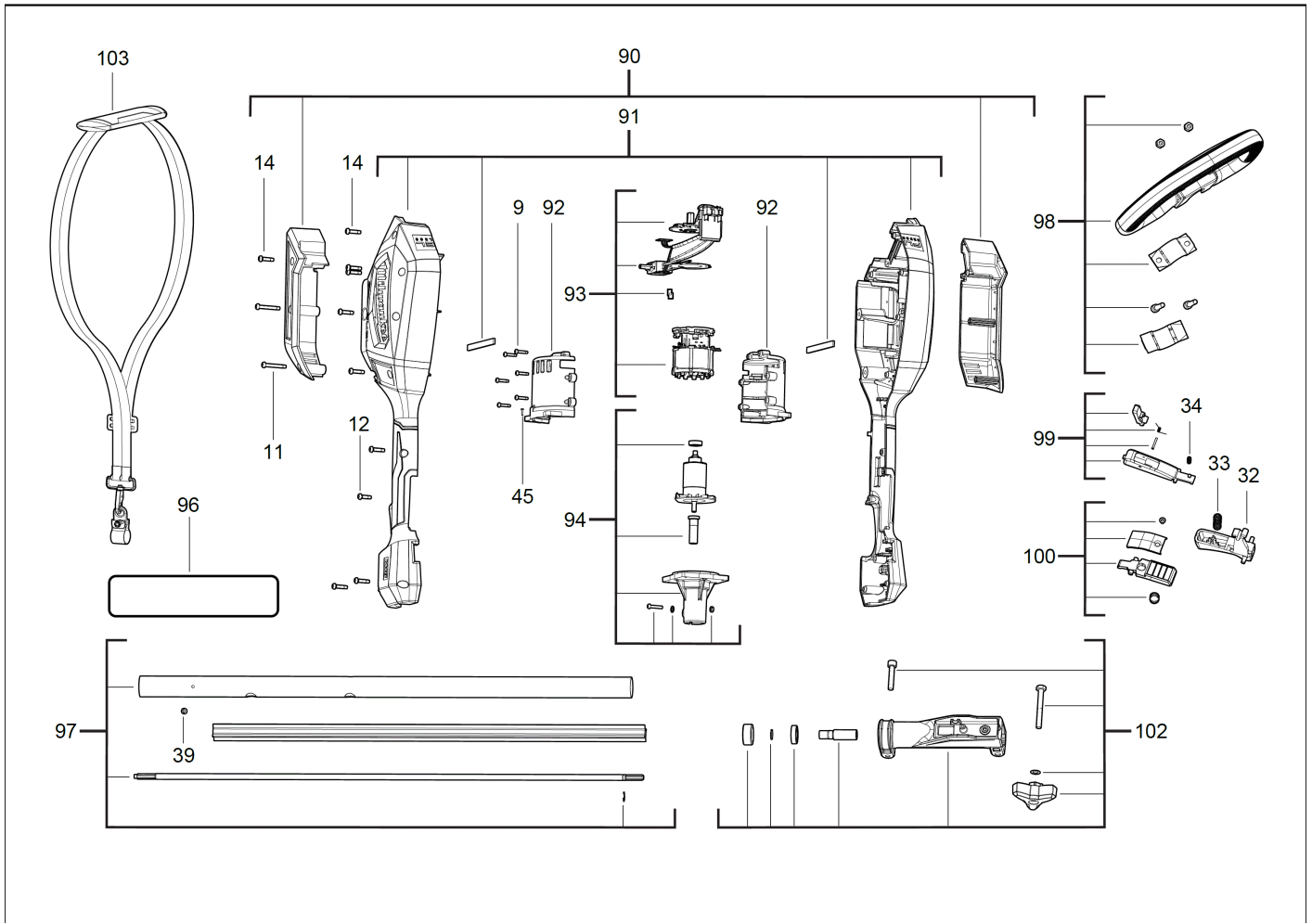


M18FOPHLTKIT-0 OUTD.POWER HEAD KIT XXX

4933464956 - M18FOPHLTKIT-0 - 4000469757





| Position | Quantity | Description | Part number | EAN |
|----------|----------|---------------|-------------|---------------|
| 0009 | 6 | SCREW | 660570005 | 4002395827329 |
| 0011 | 2 | SCREW | 4931435023 | 4002395857302 |
| 0012 | 1 | SCREW | 4931454800 | 4058546014179 |
| 0014 | 11 | SCREW | 660024030 | 4002395826957 |
| 0032 | 1 | TRIGGER | 4931454801 | 4058546014186 |
| 0033 | 1 | SPRING | 4931454808 | 4058546014254 |
| 0034 | 1 | SPRING | 4931454803 | 4058546014209 |
| 0039 | 1 | SCREW | 4931466762 | 4058546279790 |
| 0045 | 4 | SCREW | 4931454146 | 4002395285600 |
| 0090 | 1 | COVER | 4931466763 | 4058546279806 |
| 0091 | 1 | HANDLE SET | 4931466764 | 4058546279813 |
| 0092 | 1 | MOTOR HOUSING | 4931466765 | 4058546279820 |
| 0093 | 1 | SWITCH | 4931466766 | 4058546279837 |
| 0094 | 1 | ROTOR | 4931466767 | 4058546279844 |
| 0096 | 1 | LABEL | 4931466768 | 4058546279851 |
| 0097 | 1 | DRIVING SHAFT | 4931466769 | 4058546279868 |
| 0098 | 1 | HANDLE SET | 4931466770 | 4058546279875 |
| 0099 | 1 | TRIGGER | 4931466771 | 4058546279882 |
| 0100 | 1 | TRIGGER | 4931466772 | 4058546279899 |
| 0102 | 1 | RELEASE LEVER | 4931466773 | 4058546279905 |
| 0103 | 1 | STRAP | 4931466774 | 4058546279912 |