

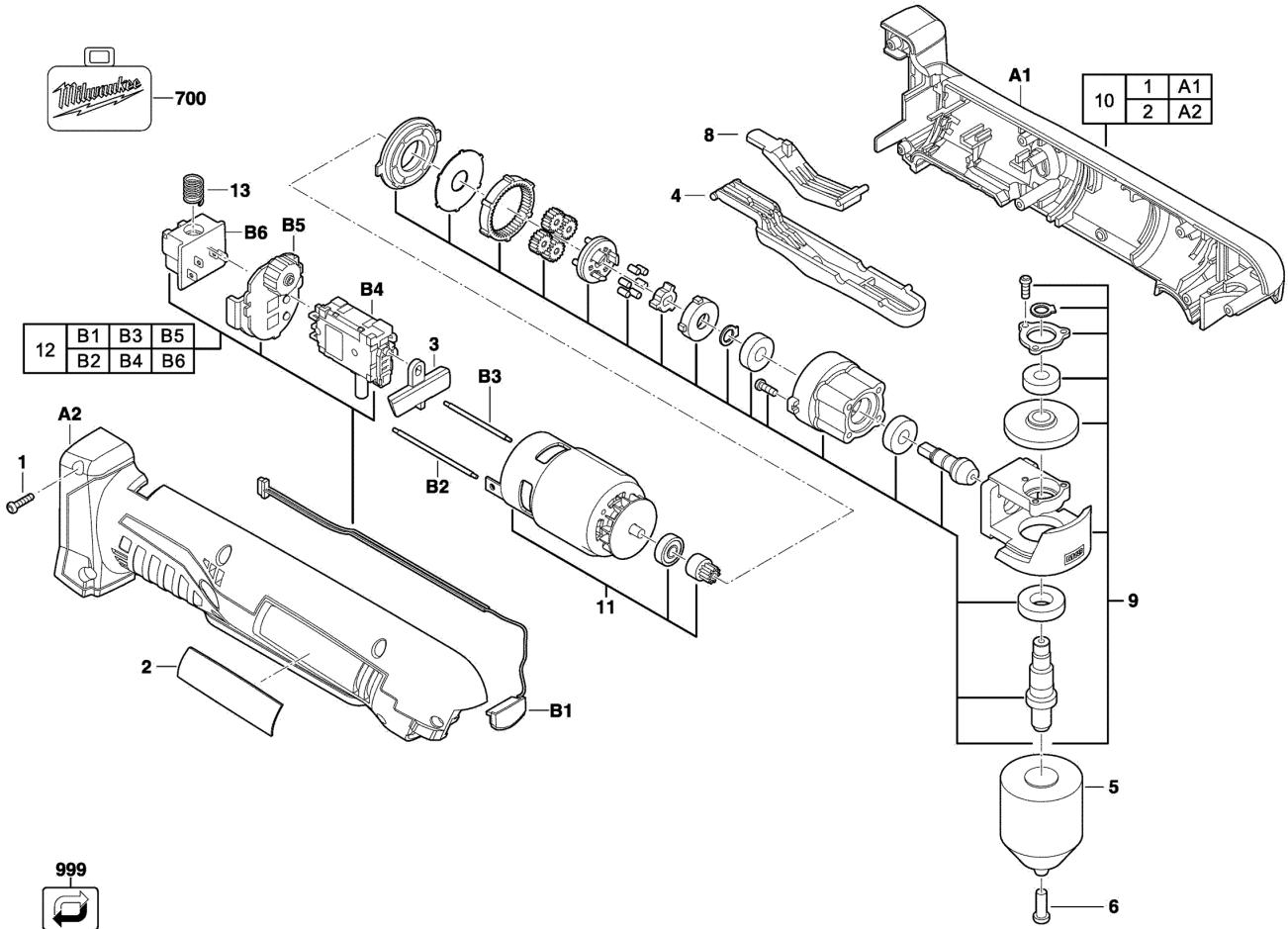
C18RAD-0 M18 COMP RIGHT ANGLE DRL XXX

4933427189 - C18RAD-0 - 4000427205





700



| | | |
|----|---|----|
| 10 | 1 | A1 |
| | 2 | A2 |

| | | | |
|----|----|----|----|
| 12 | B1 | B3 | B5 |
| | B2 | B4 | B6 |



| Position | Quantity | Description | Part number | EAN |
|-----------------|-----------------|--------------------|--------------------|---------------|
| 0001 | 1 | SCREW | 660570005 | 4002395827329 |
| 0002 | 1 | NAME PLATE | 940045541 | 4002395847440 |
| 0003 | 1 | SWITCH | 521937001 | 4002395847433 |
| 0004 | 1 | PUSH-BUTTON | 521935001 | 4002395847419 |
| 0005 | 1 | CHUCK | 670753003 | 4002395848676 |
| 0006 | 1 | SCREW | 4931433297 | 4002395896684 |
| 0008 | 1 | SWITCH KIT | 521936001 | 4002395847426 |
| 0009 | 1 | GEAR BOX ASSY | 201624001 | 4002395850167 |
| 0010 | 1 | HOUSING | 201827001 | 4002395850198 |
| 0011 | 1 | MOTOR ASSEMBLY | 201625001 | 4002395850174 |
| 0012 | 1 | SWITCH ASSEMBLY | 4931431609 | 4002395896998 |
| 0013 | 1 | SPRING | 4931408243 | 4002395814466 |
| 0700 | 1 | CARRYING CASE | 302857026 | 4002395847402 |