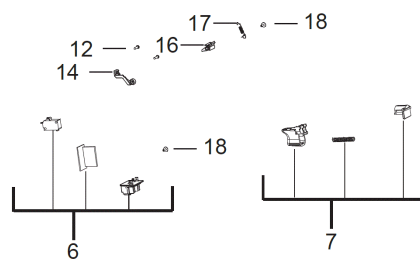
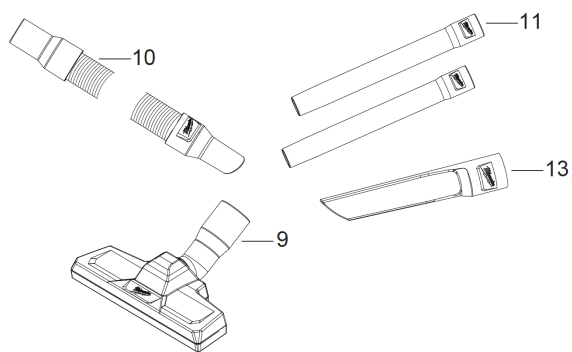
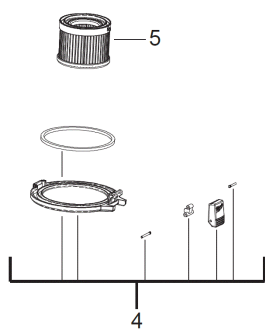
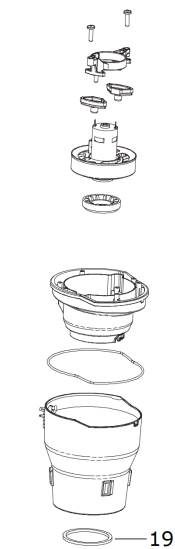
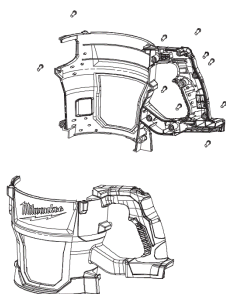
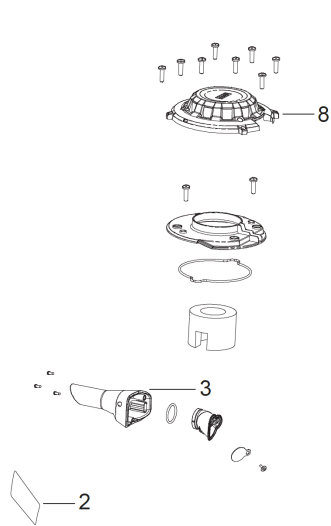


# M18CV-0 Hand Vac XXX

4933459204 - M18CV-0 - 4000458288





Position	Quantity	Description	Part number	EAN
0002	1	RATING PLATE	4931454782	4058546013998
0003	1	TRANSITION PIECE	4931454783	4058546014001
0004	1	COVER	4931454784	4058546014018
0005	1	FOLDER FILTER	4931454785	4058546014025
0006	1	ELECTRONIC	4931465555	4058546236557
0007	1	SWITCH ASSEMBLY	4931454787	4058546014049
0008	1	HOUSING COVER	4931454788	4058546014056
0009	1	CARPET NOZZLE	4931454789	4058546014063
0010	1	SUCTION HOSE	4931454790	4058546014070
0011	2	SUCTION TUBE	4931454791	4058546014087
0012	2	SCREW	4931465556	4058546236564
0013	1	CREVICE TOOL	4931454792	4058546014094
0014	1	HOLDER	4931465557	4058546236571
0016	1	LOCKING PIECE	4931465558	4058546236588
0017	1	SPRING	4931465559	4058546236595
0018	2	SCREW	4931465560	4058546236601
0019	1	GASKET	4931465840	4058546239404