

sliderM35

**Sistema di scorrimento
complanare a due ante
ammortizzato**
- A43.

**Coplanar two-door
cushioned
sliding system**
- A43.

**Système coulissant
coplanaire amorti
à deux portes**
- A43.

**Flächenbündiges,
gedämpftes Gleitsystem
mit zwei Türen**
- A43.

**Sistema de deslizamiento
coplanario de dos puertas
amortiguado**
- A43.

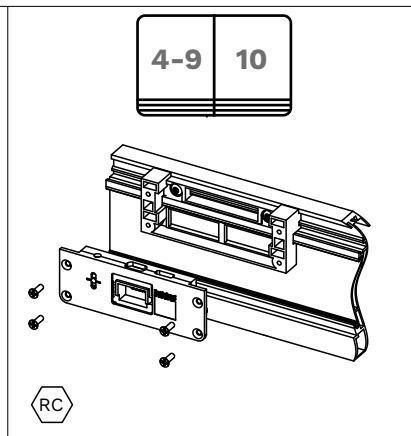
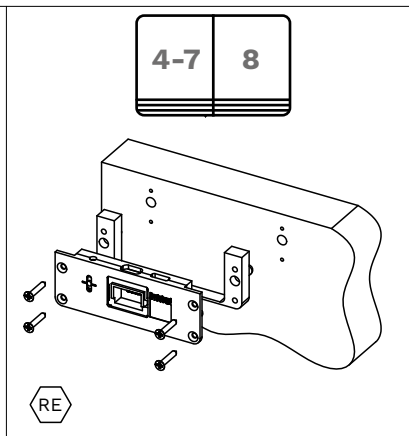
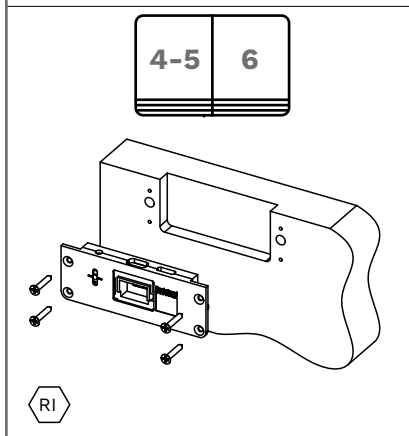
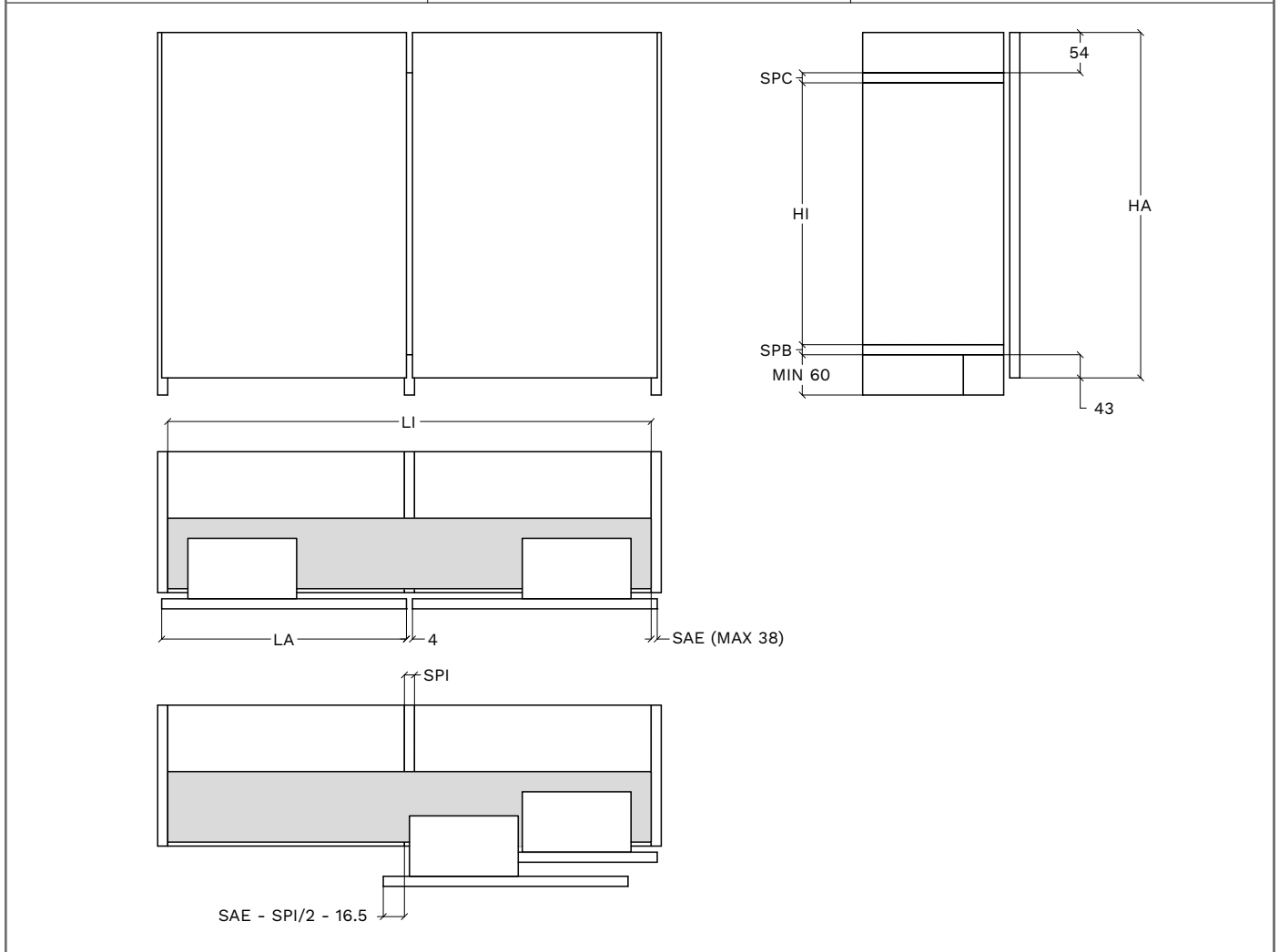
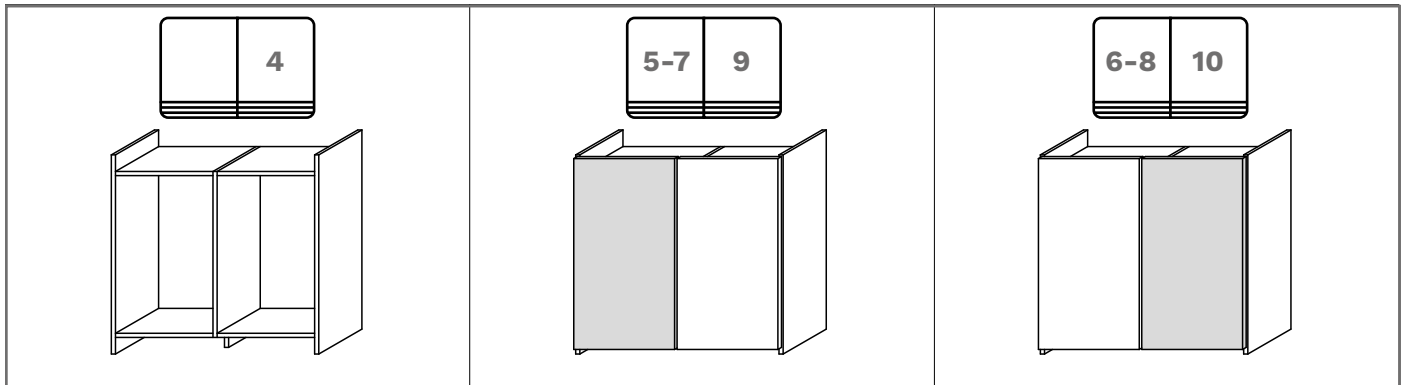
Lavorazioni sulla
struttura.
Lavorazioni sull'anta.

Drilling and machining
the cabinet.
Working on the door.

Usinage du meuble.
Plan de perçage de la
porte.



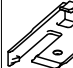
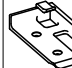
Arbeiten am Korpus.
Bearbeitung der Tür.

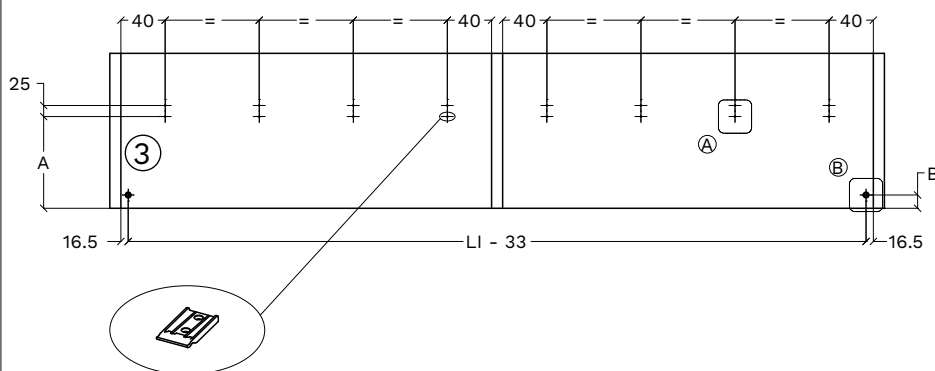
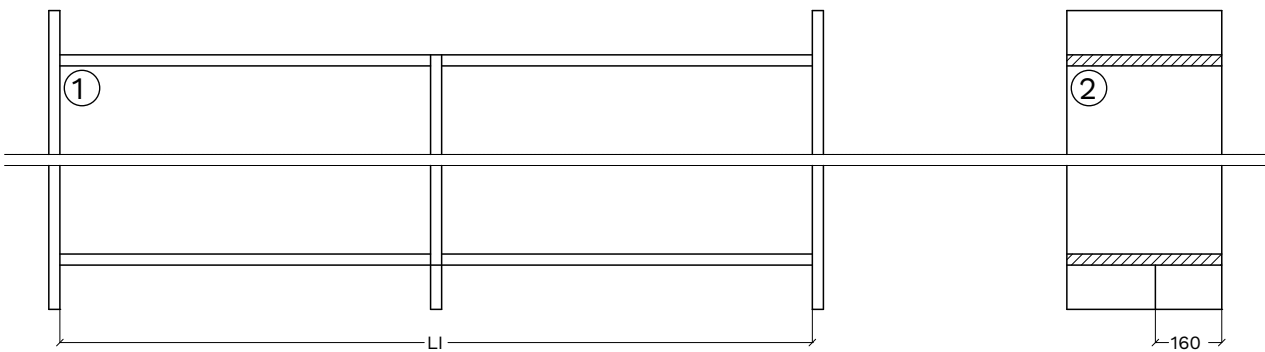
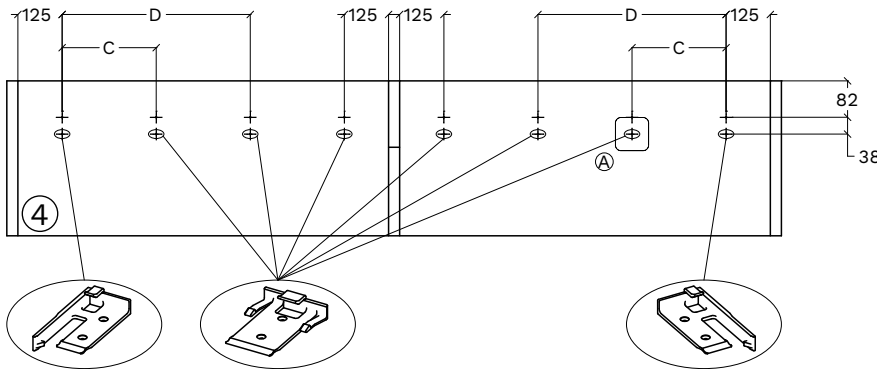
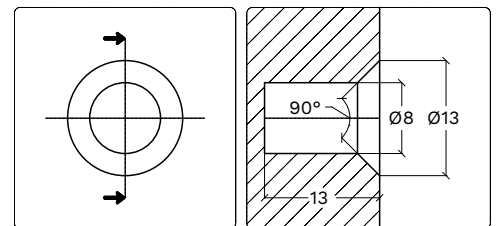
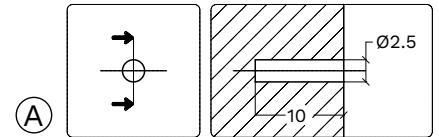
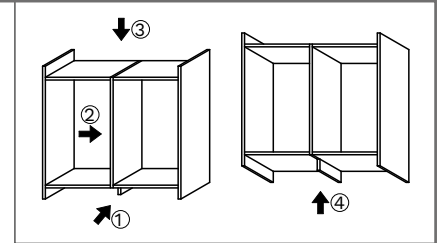
Trabajos en la estructura.
Trabajos en la puerta.

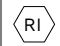




NO SCALE



LI	C	D				
1162	-	-	x 4	x 2		
1262	-	-				
1362	-	-				
1462	-	-	x 6			
1562	-	-				
1762	310	-	x 6	x 4	x 1	x 1
1962	360	-				
2162	410	-				
2362	460	-				
2562	510	-				
2762	560	-				
2962	407	814	x 8	x 6		
3162	440	880				
3362	473	946				
3562	507	1014				
3762	540	1080				



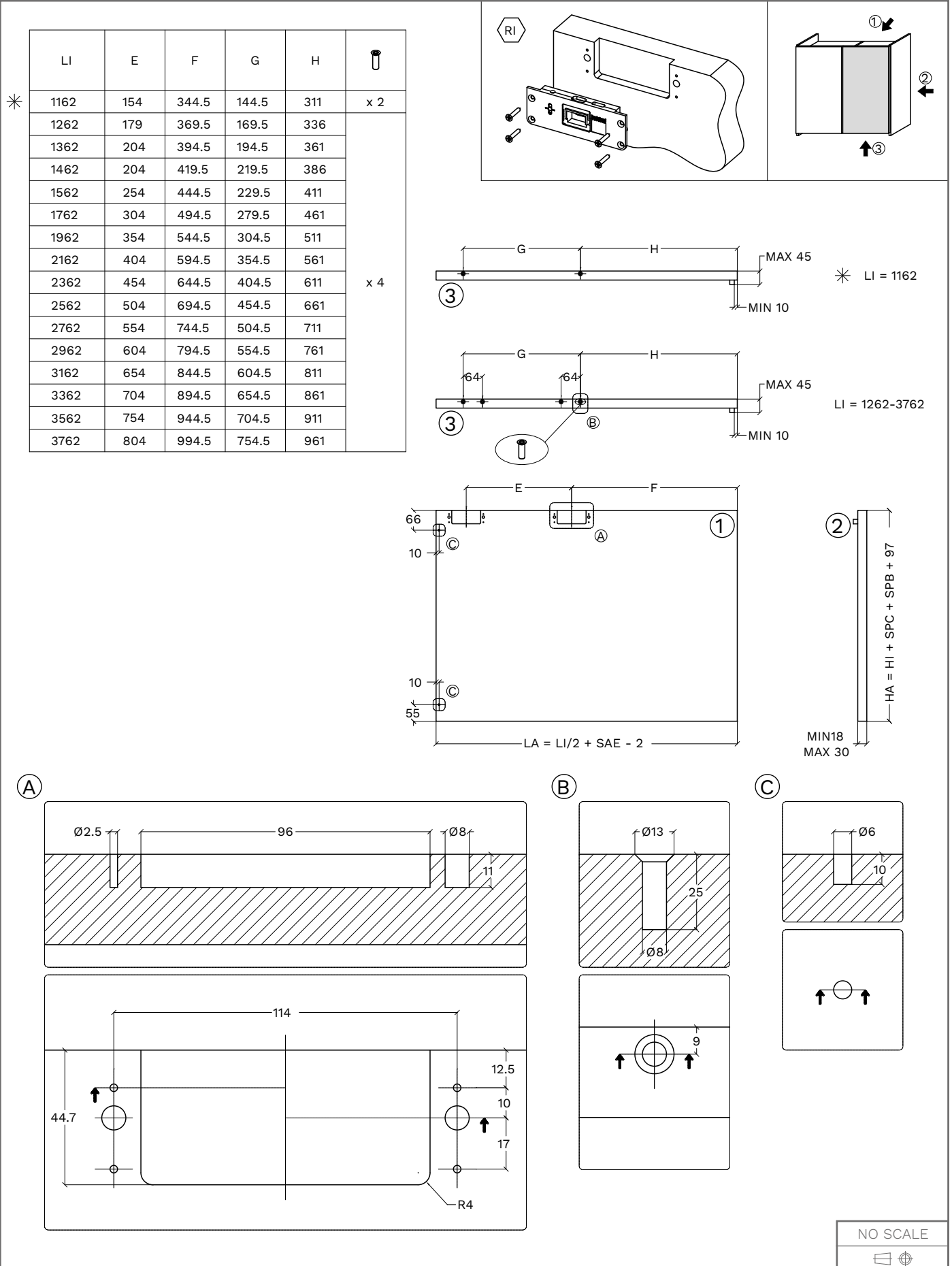
	A	B
	222	28
	233	39
	228	34

NO SCALE

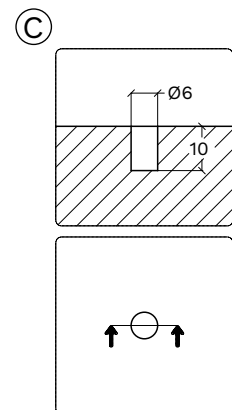
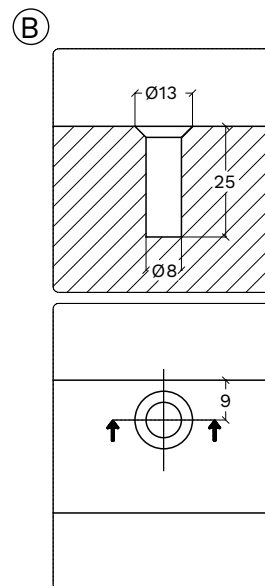
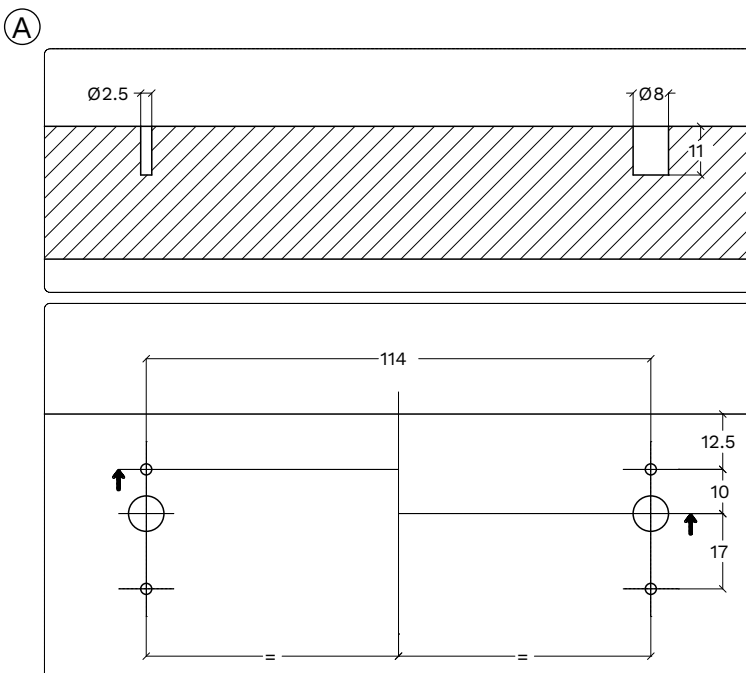
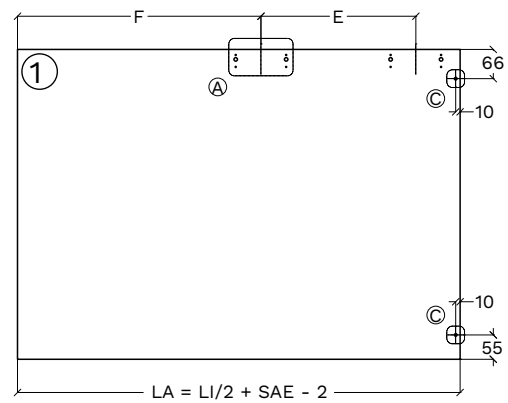
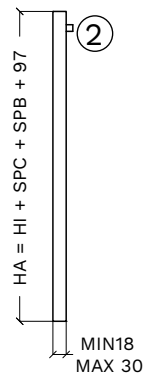
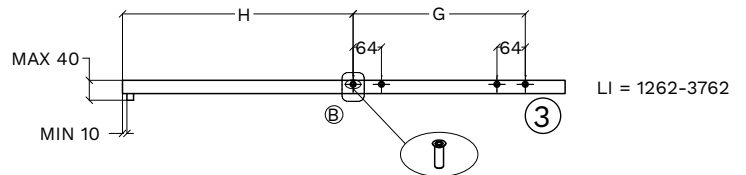
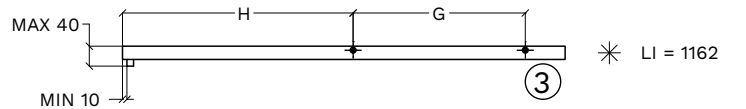
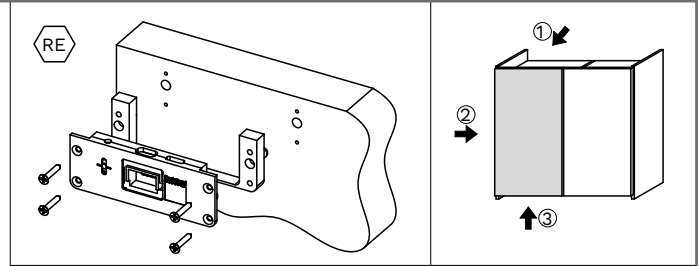


LI	E	F	G	H	
1162	154	344.5	144.5	311	x 2
1262	179	369.5	169.5	336	x 4
1362	204	394.5	194.5	361	
1462	204	419.5	219.5	386	
1562	254	444.5	229.5	411	
1762	304	494.5	279.5	461	
1962	354	544.5	304.5	511	
2162	404	594.5	354.5	561	
2362	454	644.5	404.5	611	
2562	504	694.5	454.5	661	
2762	554	744.5	504.5	711	
2962	604	794.5	554.5	761	
3162	654	844.5	604.5	811	
3362	704	894.5	654.5	861	
3562	754	944.5	704.5	911	
3762	804	994.5	754.5	961	


NO SCALE

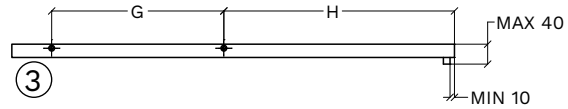
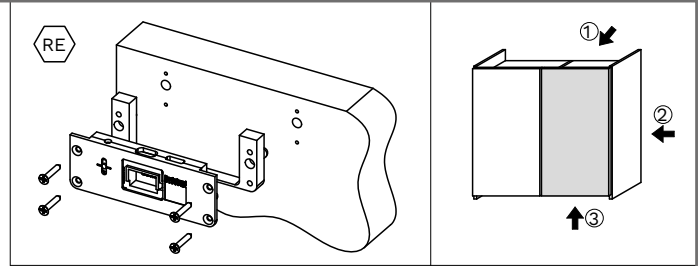


LI	E	F	G	H	
1162	154	344.5	144.5	311	x 2
1262	179	369.5	169.5	336	x 4
1362	204	394.5	194.5	361	
1462	204	419.5	219.5	386	
1562	254	444.5	229.5	411	
1762	304	494.5	279.5	461	
1962	354	544.5	304.5	511	
2162	404	594.5	354.5	561	
2362	454	644.5	404.5	611	
2562	504	694.5	454.5	661	
2762	554	744.5	504.5	711	
2962	604	794.5	554.5	761	
3162	654	844.5	604.5	811	
3362	704	894.5	654.5	861	
3562	754	944.5	704.5	911	
3762	804	994.5	754.5	961	

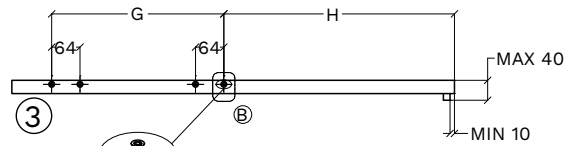


*

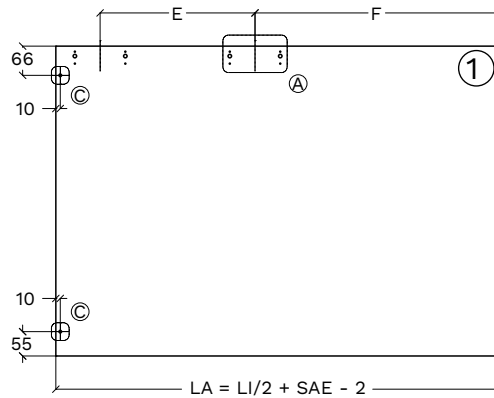
LI	E	F	G	H	
1162	154	344.5	144.5	311	x 2
1262	179	369.5	169.5	336	x 4
1362	204	394.5	194.5	361	
1462	204	419.5	219.5	386	
1562	254	444.5	229.5	411	
1762	304	494.5	279.5	461	
1962	354	544.5	304.5	511	
2162	404	594.5	354.5	561	
2362	454	644.5	404.5	611	
2562	504	694.5	454.5	661	
2762	554	744.5	504.5	711	
2962	604	794.5	554.5	761	
3162	654	844.5	604.5	811	
3362	704	894.5	654.5	861	
3562	754	944.5	704.5	911	
3762	804	994.5	754.5	961	



* LI = 1162



LI = 1262-3762

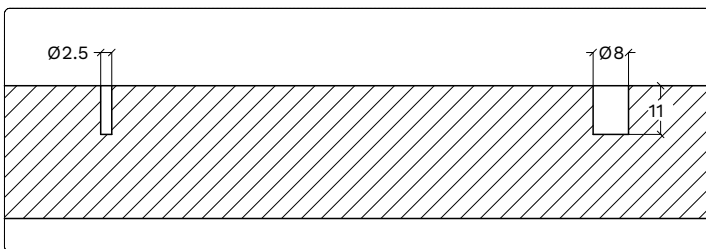


②

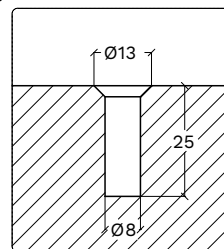
$$HA = HI + SPC + SPB + 97$$

MIN18
MAX 30

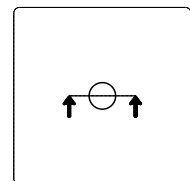
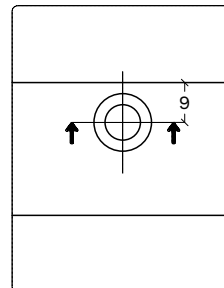
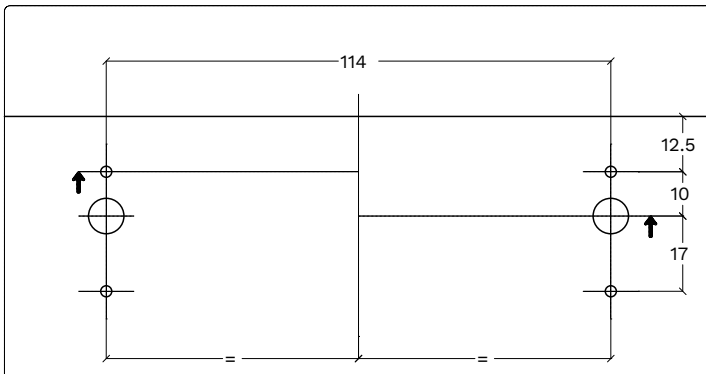
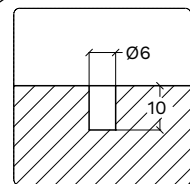
A



B



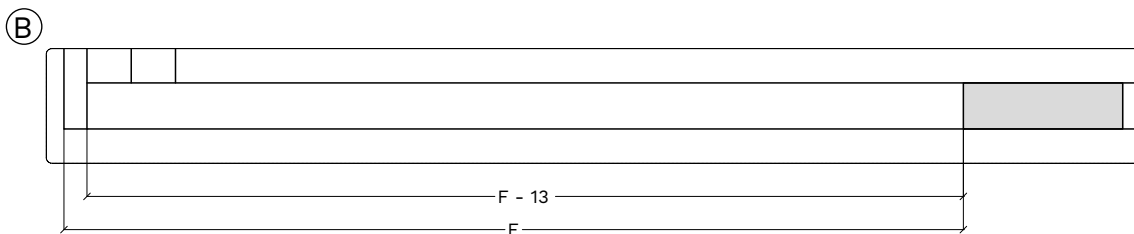
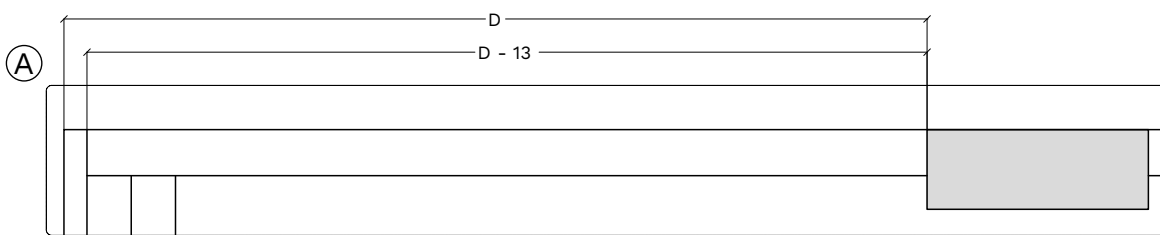
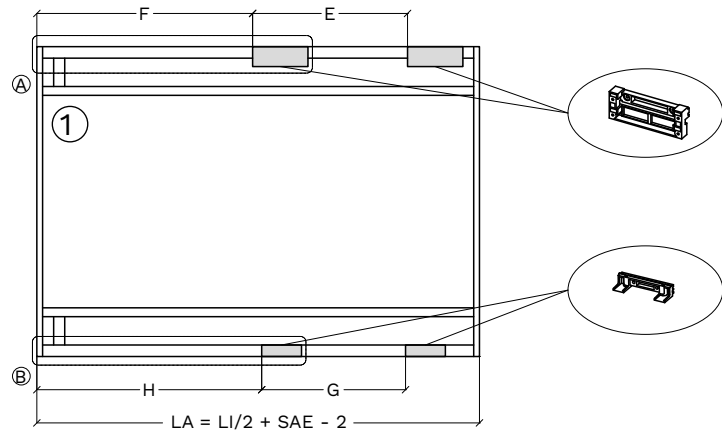
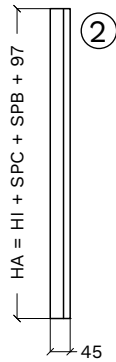
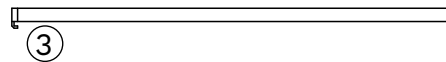
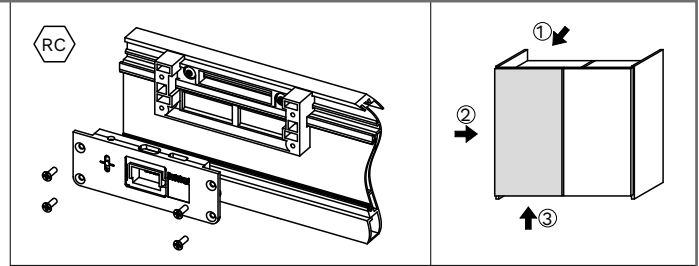
C



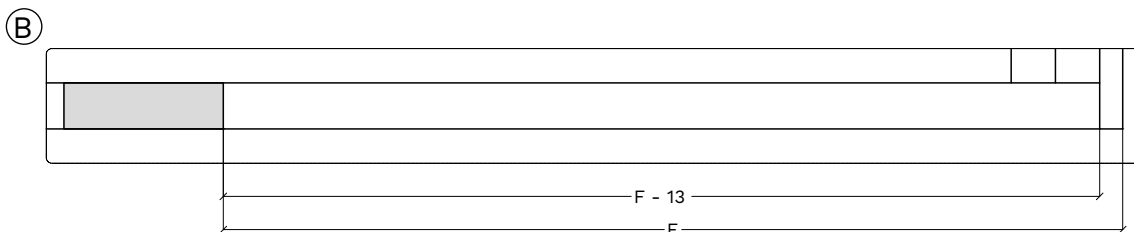
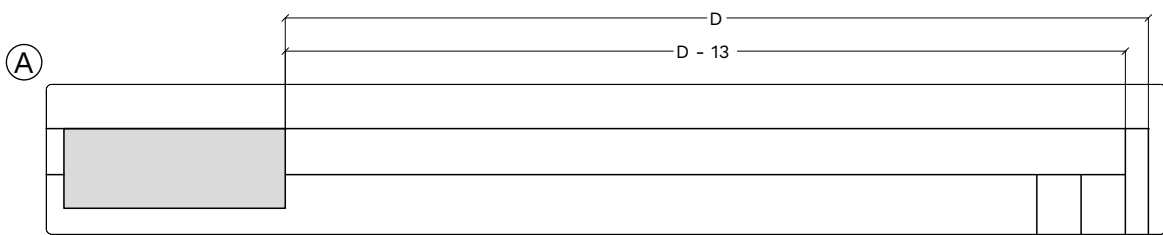
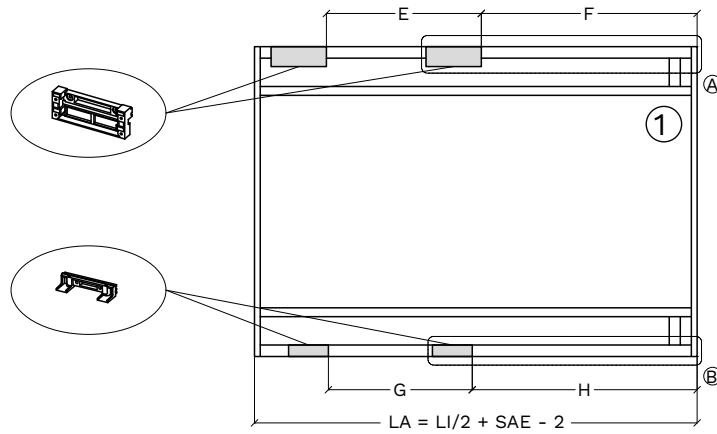
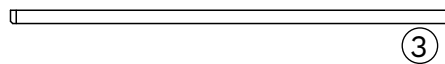
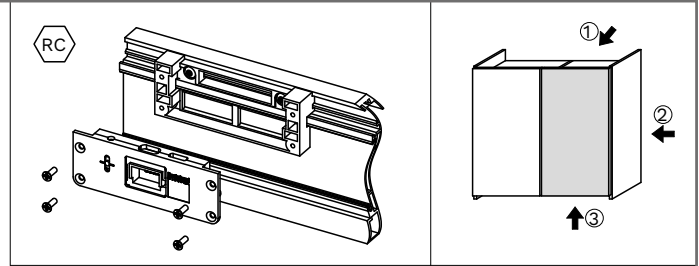
NO SCALE



LI	E	F	G	H
1362	204	331.5	130.5	348.5
1462	204	356.5	155.5	373.5
1562	254	381.5	165.5	398.5
1762	304	431.5	215.5	448.5
1962	354	481.5	240.5	498.5
2162	404	531.5	290.5	548.5
2362	454	581.5	340.5	598.5
2562	504	631.5	390.5	648.5
2762	554	681.5	440.5	698.5
2962	604	731.5	490.5	748.5



LI	E	F	G	H
1362	204	331.5	130.5	348.5
1462	204	356.5	155.5	373.5
1562	254	381.5	165.5	398.5
1762	304	431.5	215.5	448.5
1962	354	481.5	240.5	498.5
2162	404	531.5	290.5	548.5
2362	454	581.5	340.5	598.5
2562	504	631.5	390.5	648.5
2762	554	681.5	440.5	698.5
2962	604	731.5	490.5	748.5





sliderM35



bortoluzzi

Moving silence

Bortoluzzi Sistemi SPA
via Caduti 14 Settembre 1944, n°45
32100 Belluno - Italy
tel +39 0437 930866
fax +39 0437 931442
info@bortoluzzi.com
www.bortoluzzi.com

