

LOCINOX

Let's make it better together

LPKQU2

EN 179:2008



ENG

Discover this manual in English on [page 5](#)

NL

Ontdek deze handleiding in het Nederlands op [pagina 7](#)

FRA

Découvrez ce manuel en Français sur la [page 9](#)

DEU

Entdecken Sie dieses Handbuch auf deutsch auf [Seite 11](#)

SPN

Consulte este manual en Español en la [página 13](#)

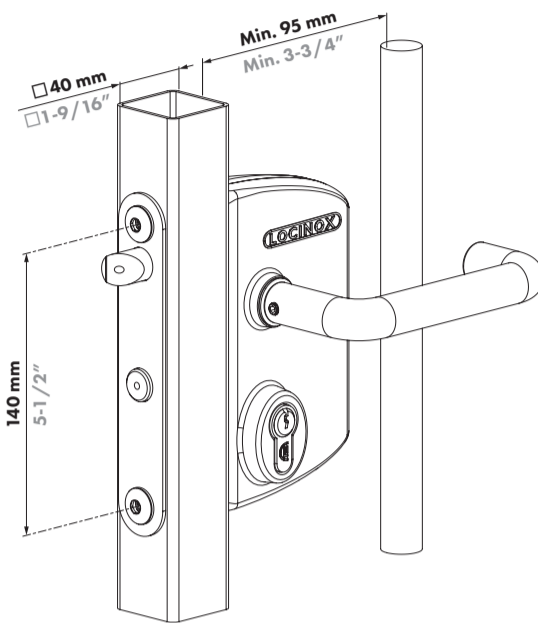
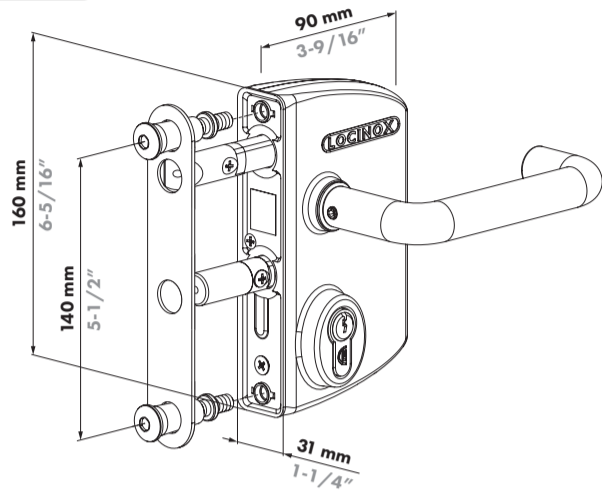
PL

Odkryj tę instrukcję w Polskie na [stronie 15](#)

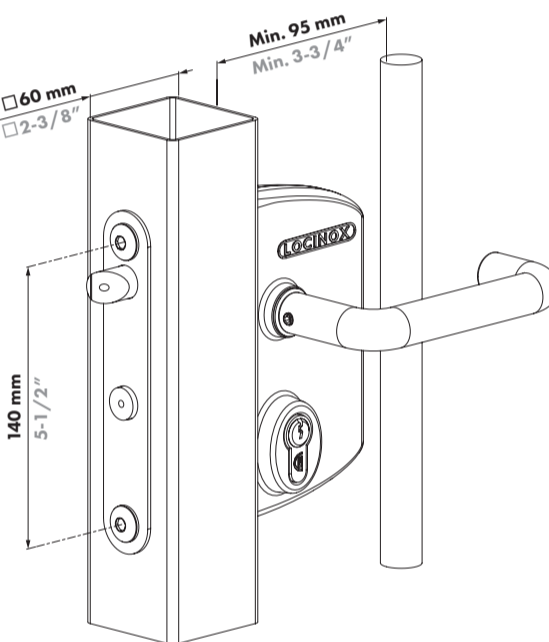
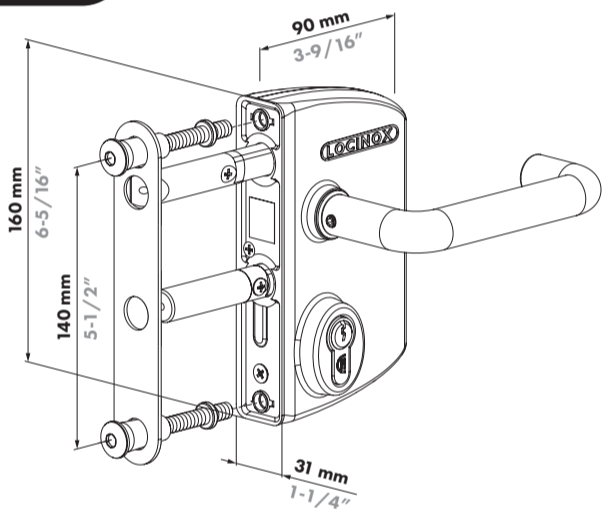
RU

Ознакомьтесь с данным руководством на [странице 17](#)

1 40 mm
1-9/16"



1 60 mm
2-3/8"



? LOCINOX HQ

LIVE CHAT
www.locinox.com
+32 56 77 27 66
help@locinox.com
www.locinox.com/lpkqu2

? LOCINOX USA

LIVE CHAT
www.locinoxusa.com
877-LOCINOX
helpusa@locinox.com
www.locinoxusa.com/lpkqu2

2 Emergency exit devices according to **EN 179:2008**

The following configurations are approved to be installed in an emergency exit gate to conform EN 179:2008

GATE PROFILE DIMENSIONS	LOCKS
40 mm	LPKQ4040
60 mm	LPKQ6060

CYLINDER	HANDLE	KEEP
3012-54-STD	3006A-2	SAKLQF

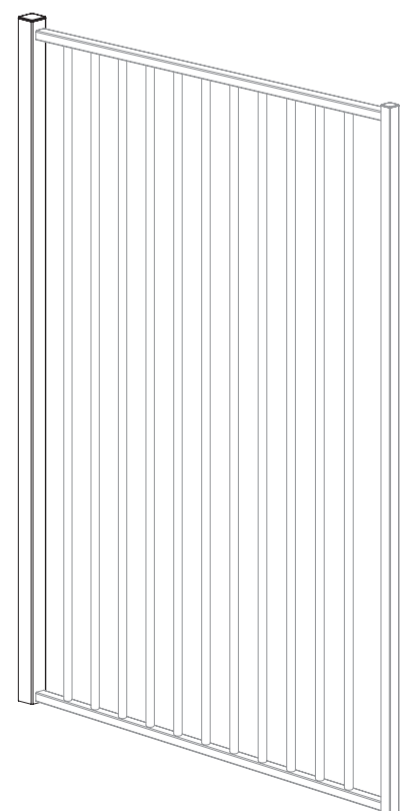
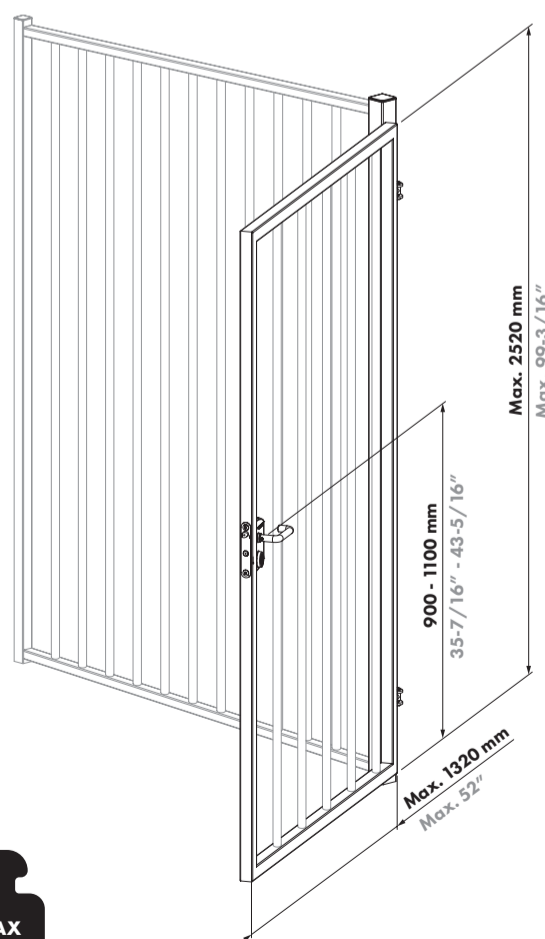
The safety features of this product are essential to its compliance with EN 179:2008. No modification of any kind other than those described in these instruction are permitted.

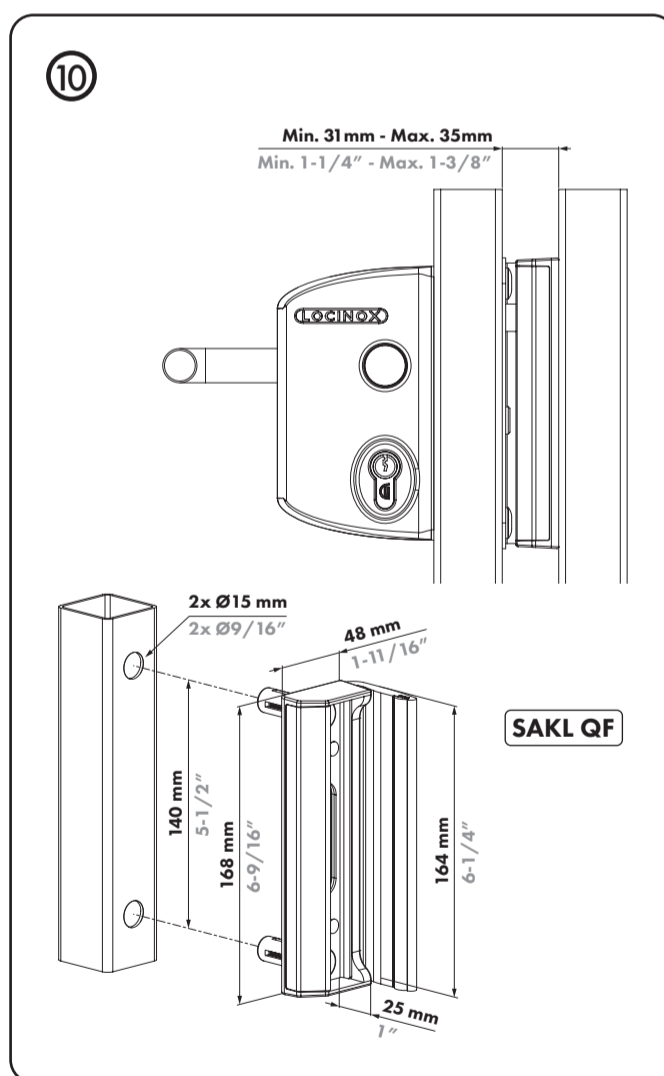
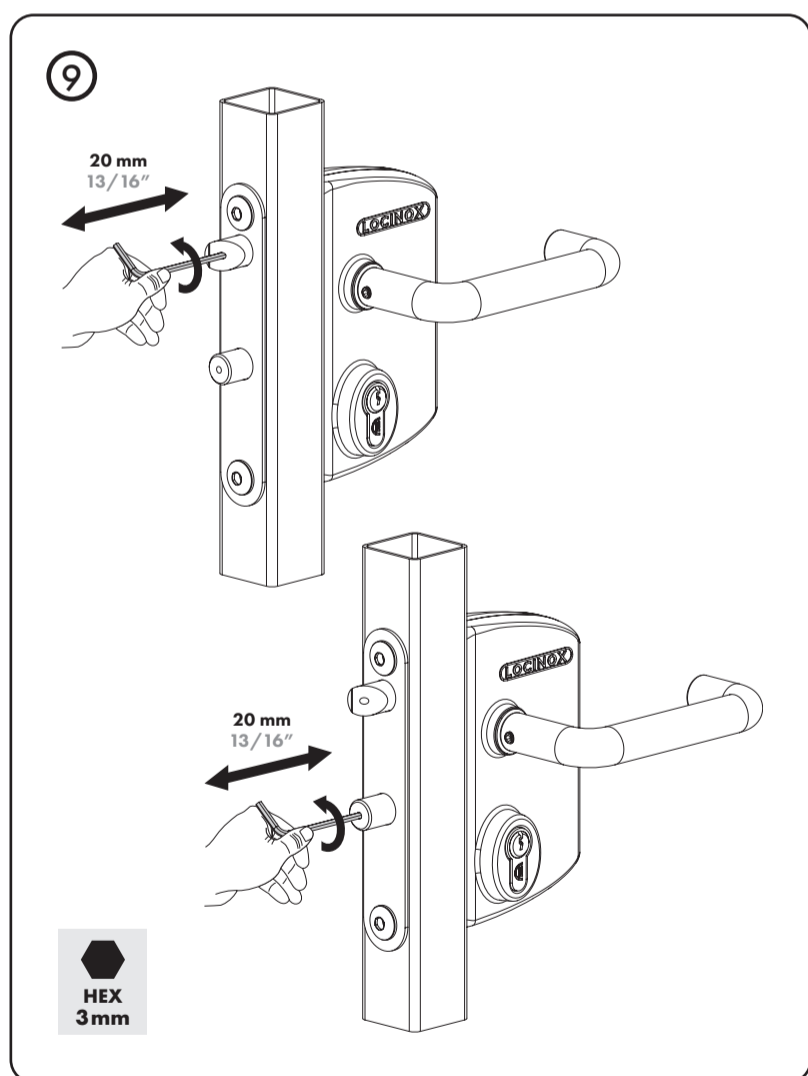
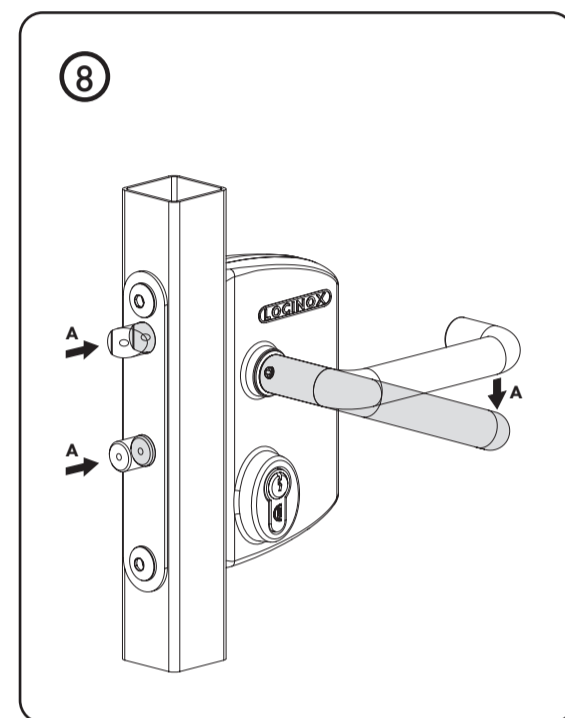
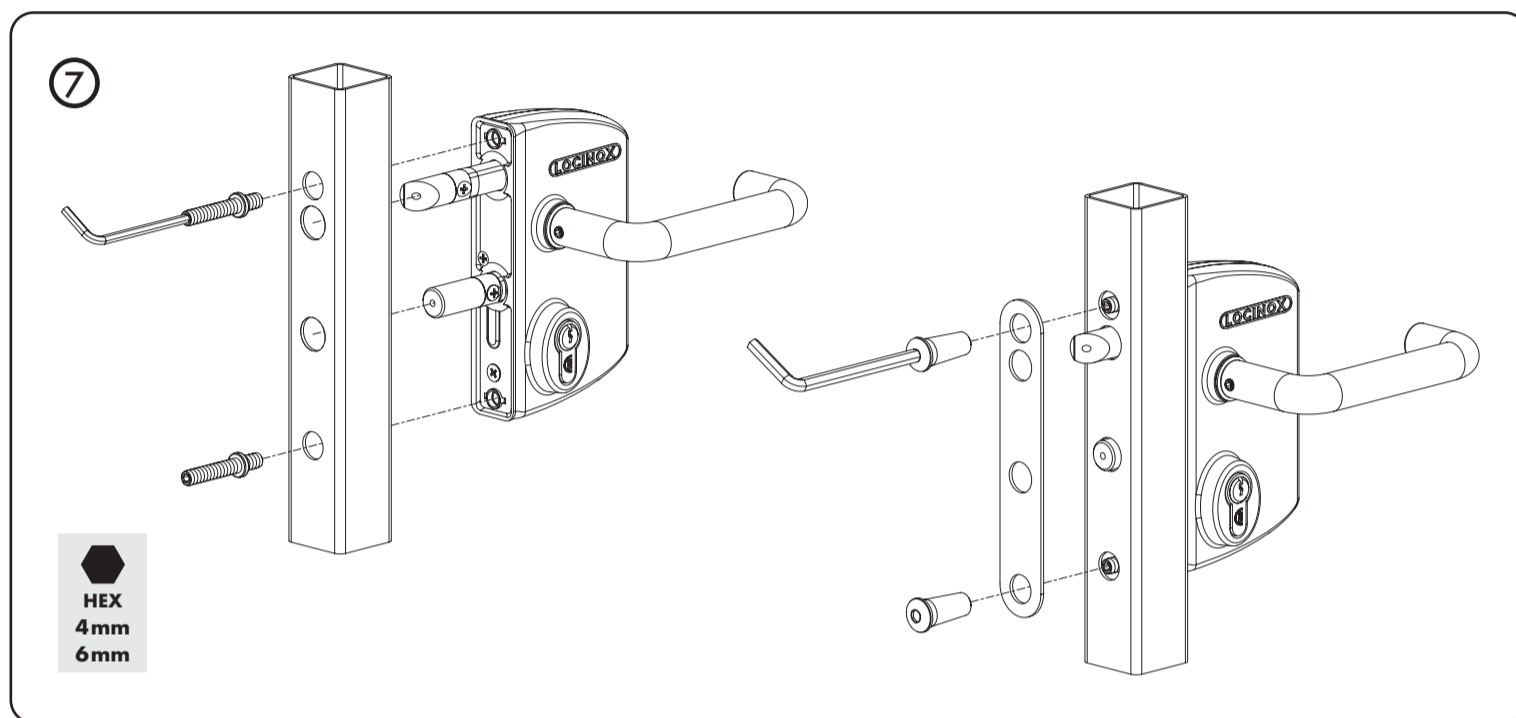
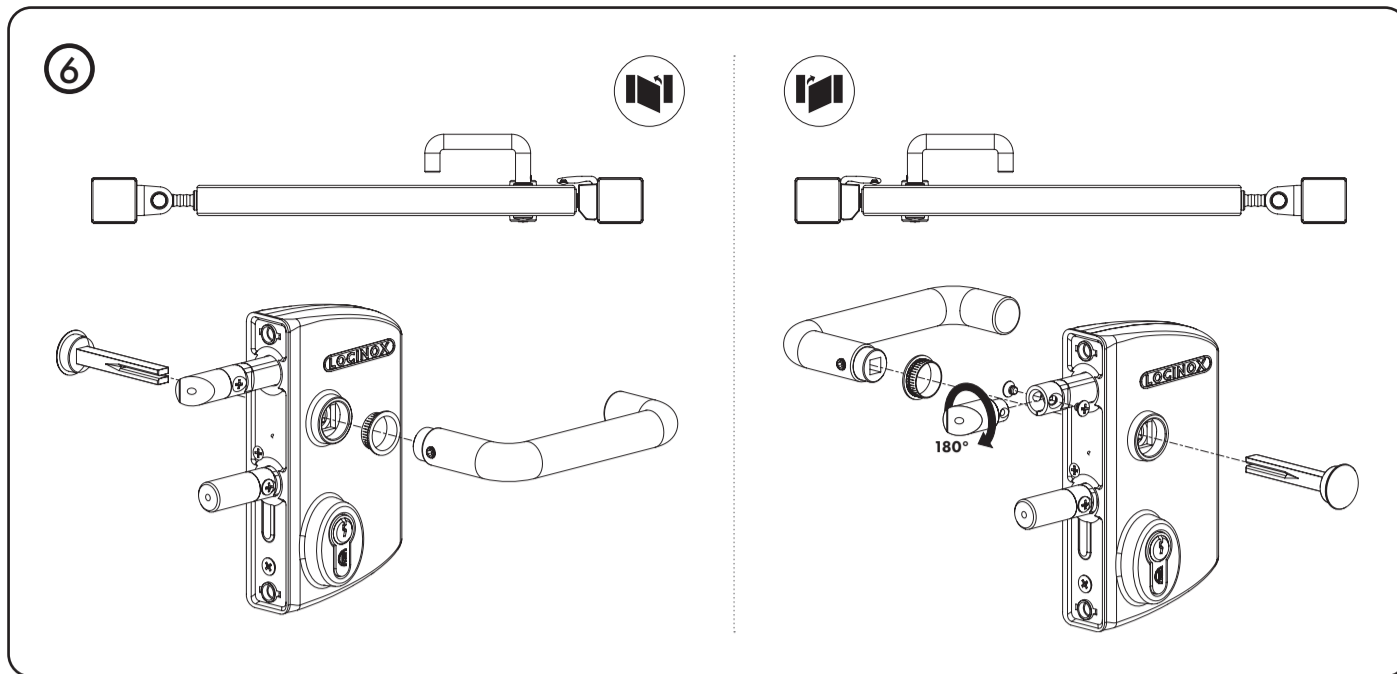
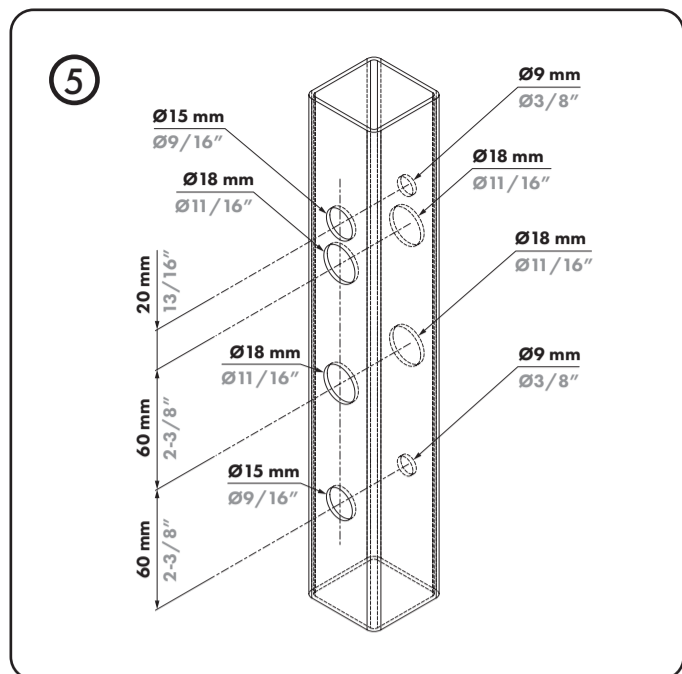
3 Classification according to **EN179:2008**


37601422AB

- 3** Category of use – High frequency of use where there is little incentive to exercise care
- 7** Durability – Grade 7: 200 000 test cycles
- 6** Door mass – Grade 6: up to 200 kg
- 0** Suitable for use on smoke door assemblies – Grade 0: not approved for use on fire/smoke doors
- 1** Safety – Grade 1: all emergency exit devices have a critical safety function, therefore only the top grade is identified for the purposes of this European Standard
- 4** Corrosion resistance – Grade 4: very high resistance (240 h)
- 2** Security – Grade 2: 1000 N
- 2** Projection of operating element – Grade 2: up to 100 mm
- A** Type of operation – Type A: emergency exit device with handle operation
- B** Intended use – Type B: outwardly opening single door

4 Door mass and door dimensions








Locinox NV
 Mannebeekstraat 21
 8790 Waregem
 Belgium

Locinox LLC
 460 Windy Point Drive
 Glendale Heights - IL 60139
 USA

Surface mounted anti-panic gate lock
 LPKQ40*A2 + SF keep
 LPKQ60*A2 + SF keep

EN 179:2008
 37601422AB

NB-Nr. 0960
 0960-CPR-SKGIKOB.011818.01.ENG



SUCCESSFUL INSTALLATION?
 Please send us your pictures & videos
pictures@locinox.com

SUCCESSFUL INSTALLATION?
 Stuur gerust uw foto's & video's door

INSTALLATION RÉUSSITE?
 Veuillez nous envoyer vos photos & vidéos

ERFOLGREICHE INSTALLATION?
 Bitte senden Sie uns Ihre Bilder & Videos

INSTALACION EXITOSA?
 Por favor envíenos sus fotos y videos

UDANA INSTALACJA?
 Prześlij nam swoje zdjęcia i filmy

УСПЕШНАЯ УСТАНОВКА?
 Пожалуйста, отправьте нам свои фотографии и видео



Let's make it better together

Doc. Nr.: **MANU-000228**



M A N U - 0 0 0 2 2 8

CERTIFICATE

0960-CPR-SKGIKOB.011818.01.ENG

Issued: 11-03-2020
Valid until: 11-03-2025



Certificate holder

Locinox NV
Mannebeekstraat 21
B-8790 Waregem
T: +32 (0)56 772 766
E: locinox@locinox.com
I: www.locinox.com

Certificate of constancy of performance

Declaration of SKG-IKOB (Notified Body 0960)

In compliance with Regulation (EU) No 305/2011 of the European Parliament and of the Council of 9 March 2011 (the Construction Products Regulation or CPR), this certificate applies to the construction product

EMERGENCY EXIT DEVICES OPERATED BY A LEVER HANDLE OR PUSH PAD FOR USE ON ESCAPE ROUTES

as specified in the attached appendix placed on the market under the name or trade mark of the holder of this certificate and produced by the holder of this certificate or for the holder of this certificate in the manufacturing plant(s) if mentioned above.

This certificate attests that all provisions concerning the assessment and verification of constancy of performance described in Annex ZA of the standard(s)

EN 179:2008

under system 1 for the performance set out in this certificate are applied and that the performance of the construction product is assessed to remain constant.

This certificate was first issued on 11-03-2020 and will remain valid until the date as mentioned at this certificate as long as neither the harmonised standard, the construction product, the AVCP methods nor the manufacturing conditions in the plant are modified significantly, unless suspended or withdrawn by the notified product certification body.

For SKG-IKOB

A handwritten signature in blue ink, appearing to be "H.A.J. van Dartel", written over a horizontal line.

ir. H.A.J. van Dartel
Certification manager

The users of this certificate are advised to verify at www.skgikob.nl if this certificate is still valid and actual.
This certificate consists of 2 pages.



SKG-IKOB Certificatie
Poppenbouwing 56
4191 NZ Geldermalsen

Postbus 202
4190 CE Geldermalsen

T 088-2440100
info@skgikob.nl
www.skgikob.nl

CERTIFICATE

Locinox NV

Number: 0960-CPR-SKGIKOB.011818.01.ENG

Page 2 of 2

Appendix 1 CERTIFICATE OF CONSTANCY OF PERFORMANCE

Article	Specification	Classification according to EN 179	SKG-IKOB - ITT (report nr.)										
Lock: LPKQ Handles: 3006A-2 Cylinder: 3012-54-STD Keeper: SAKLQF	Aluminium Dimensions: 160x90x54 mm Aluminium – anodised Dimensions: Ø19.5 x 65 x 140 mm (D-model) Secure side: handle Non secured side: blind Brass Dimensions: 17 mm profile cylinder 27/27 mm Assembled chassis : Stainless Steel SS304 keeper plate i.c.w aluminium counter plate Dimensions: Keeper plate: 165 x 47 x 25 mm Counter plate: 164 x 54/54 x 7,0 mm	<table border="1" data-bbox="1072 876 1685 923"><tr><td>3</td><td>7</td><td>6</td><td>0</td><td>1</td><td>4</td><td>2</td><td>2</td><td>A</td><td>B</td></tr></table>	3	7	6	0	1	4	2	2	A	B	18.01271-2
3	7	6	0	1	4	2	2	A	B				

DECLARATION OF PERFORMANCE

DOP Nr: DOP001 EN179 LP-A2-SA

1. ID Code of the Product Type	LPKQ - Panic Lock
2. ID of the Product	LPKQ40*A2 + SA keep LPKQ60*A2 + SA keep
3. Intended Use	Panic lock on single exit door
4. Manufacturer	LOCINOX Mannebeekstraat 21 B-8790 Waregem
5. System of assesment and verification of constancy of performance	System 1
6. Notified Body	SKG-IKOB (0960) Poppenbouwing 56 4191 NZ Geldermalsen
7. Harmonised technical specifications	EN179:2008
8. Declared Performances	

Classification according to EN179:2008 **3 7 6 0 1 4 2 2 A B**

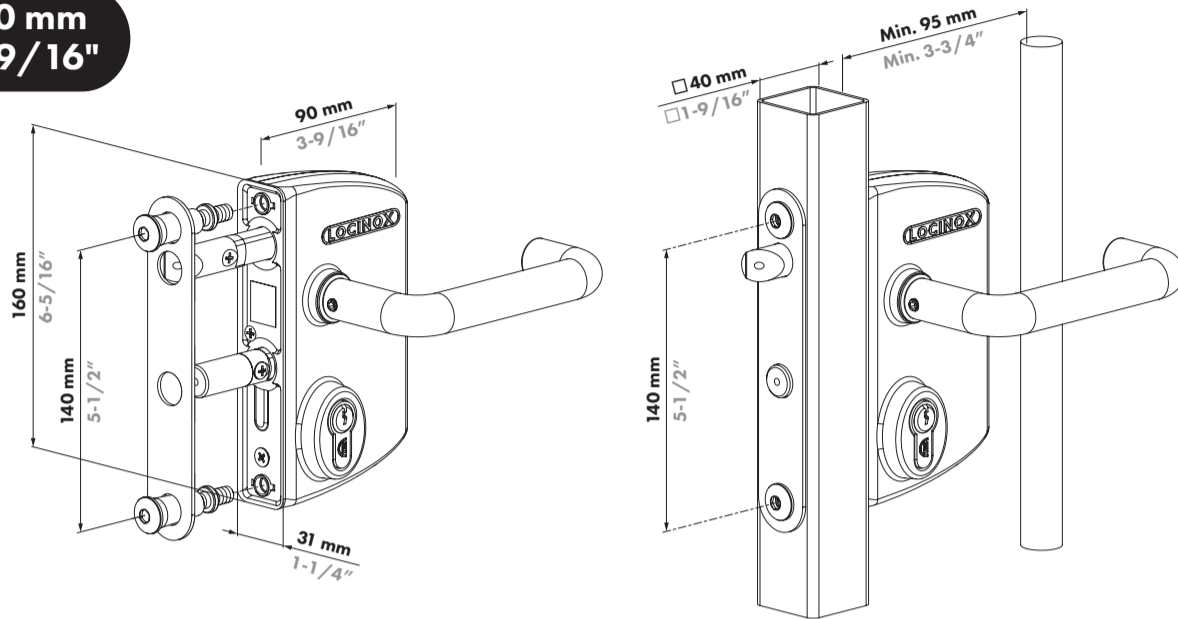
Performance characteristics	Performance	Harmonised technical specifications
Ability to release (for locked doors on escape routes)		
Release function	< 1 s	4.1.2 of EN179:2008
Release operation	following the direction of the door opening	4.1.3 of EN179:2008
Lever handle design	movement of lever handle in a downward rotational direction	4.1.4 of EN179:2008
Exposed edges and corners	> 0,5 mm	4.1.8 of EN179:2008
Lever handle installation	X>=120 mm; Z <=150mm	4.1.12 of EN179:2008
Operating element projection	Grade 2 - W<100mm	4.1.13 of EN179:2008
Lever handle free end	U>=40 mm, α <=30°	4.1.15 of EN179:2008
Lever handle operating gap	test block can be passed freely between lever handle and surface of the door	4.1.16 of EN179:2008
Test rod	Test rod dia 10 mm does not fit in gaps	4.1.18 of EN179:2008
Accessible gap	Test block placed in any accessible gap in any orientation does not prevent correct operation of the emergency exit device	4.1.20 of EN179:2008
Door free movement	Once the door has been released to open, the bolt head does not restrict the free movement of the door	4.1.21 of EN179:2008
Keepers	The keeper protects the door frame from damage which may be caused by the door closing and opening	4.1.24 of EN179:2008
Door mass and door dimensions	Mass<= 200kg, height <= 2520 mm, width <=1320 mm	4.1.27 of EN179:2008
Release force	<=70N	4.2.2 of EN179:2008
Security requirement	Grade 2; the device remains in the locked position when a force of 1000 N is applied to the door	4.2.7 of EN179:2008
Durability of ability to release (for locked doors on escape routes)		
Corrosion resistance	Grade 4; very high resistance (240 h)	4.2.9 of EN179:2008
Temperature range	Operating forces compliant between -10°C and +60°C	4.1.9 of EN179:2008
Lubrication	not needed	4.1.26 of EN179:2008
Re-engagement force	<=50N	4.2.3 of EN179:2008
Durability	Grade 7; 200.000 test cycles	4.2.4 of EN179:2008
Abuse resistance - operating element	N/A	4.2.6 of EN179:2008
Final examination	At the end of the program the emergency exit device is still operable and meets the requirements of 4.2.2 and 4.1.21	4.2.8 of EN179:2008
Selfclosing ability C (for fire/smoke doors on escape routes)	N/A	4.2.3 of EN179:2008
Durability of selfclosing ability C against aging and degradation (for fire/smoke doors on escape routes)	N/A	4.2.3 and 4.2.4 of EN179:2008
Resistance to fire E (integrity) and I(insulation)	N/A	4.1.10 and annex B of EN179:2008
Control of dangerous substances	The materials in this product do not contain or release any dangerous substances in excess of the max. levels specified in existing European material standards or any national regulations	4.1.29 of EN179:2008

9. The performance of the product identified in points 1 and 2 is in conformity with the declared performance in point 8
The declaration of performance is issued under the sole responsibility of LOCINOX

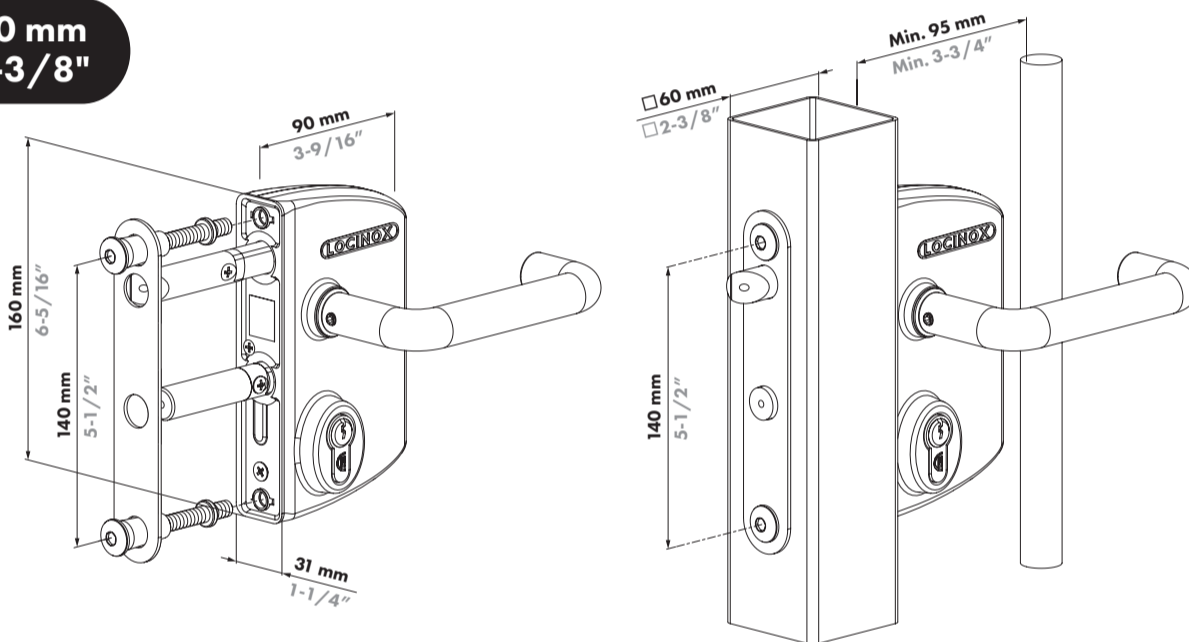
Waregem, 18/03/2020

Mik Emmerechts, CEO

1 40 mm
1-9/16"



1 60 mm
2-3/8"



? LOCINOX HQ

LIVE CHAT
www.locinox.com
+32 56 77 27 66
help@locinox.com
www.locinox.com/lpkqu2

? LOCINOX USA

LIVE CHAT
www.locinoxusa.com
877-LOCINOX
helpusa@locinox.com
www.locinoxusa.com/lpkqu2

2 Hardware voor nooduitgangen volgens EN 179:2008

De volgende configuraties zijn goedgekeurd voor installatie in een poort voor nooduitgangen conform EN 179:2008

AFMETINGEN POORTPROFIELEN	SLOTEN
40 mm	LPKQ4040
60 mm	LPKQ6060

CYLINDER	KRUK	SLOTVANGER
3012-54-STD	3006A-2	SAKLQF

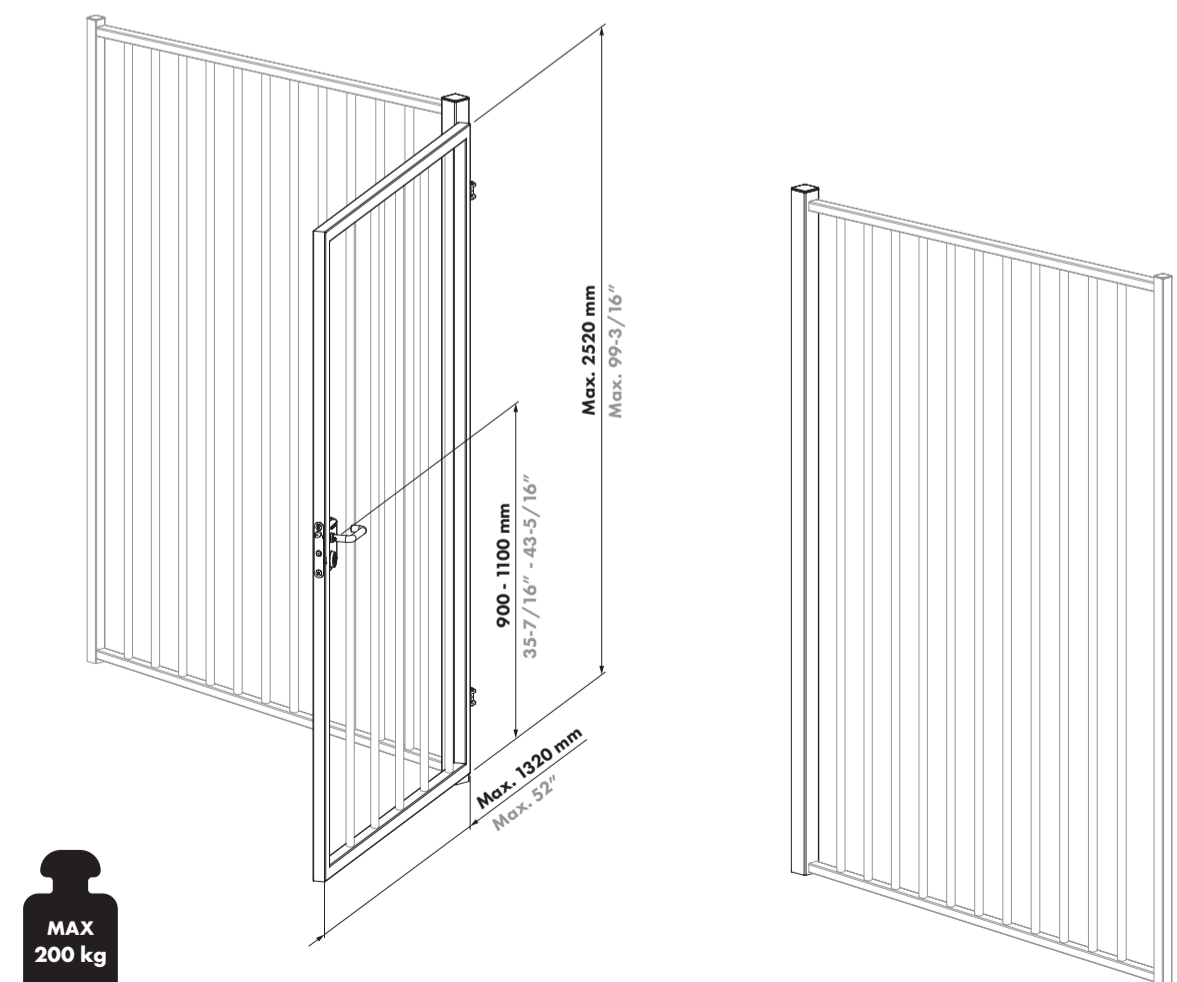
De veiligheidskenmerken van dit product zijn essentieel om te voldoen aan EN 179: 2008. Geen enkele andere wijziging dan die beschreven in deze instructie is toegestaan.

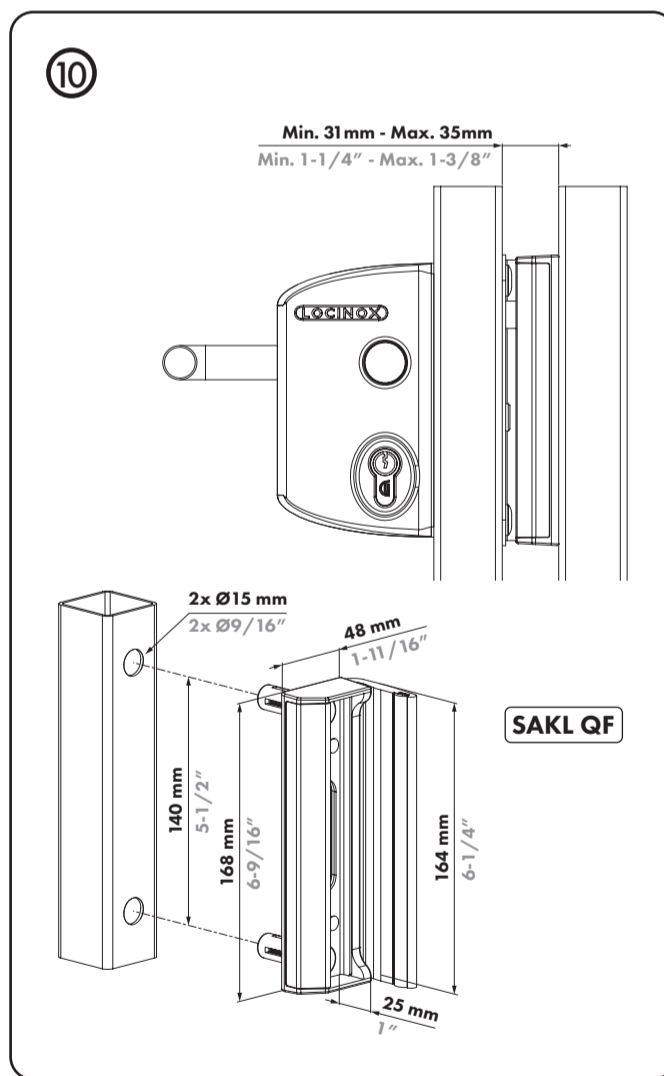
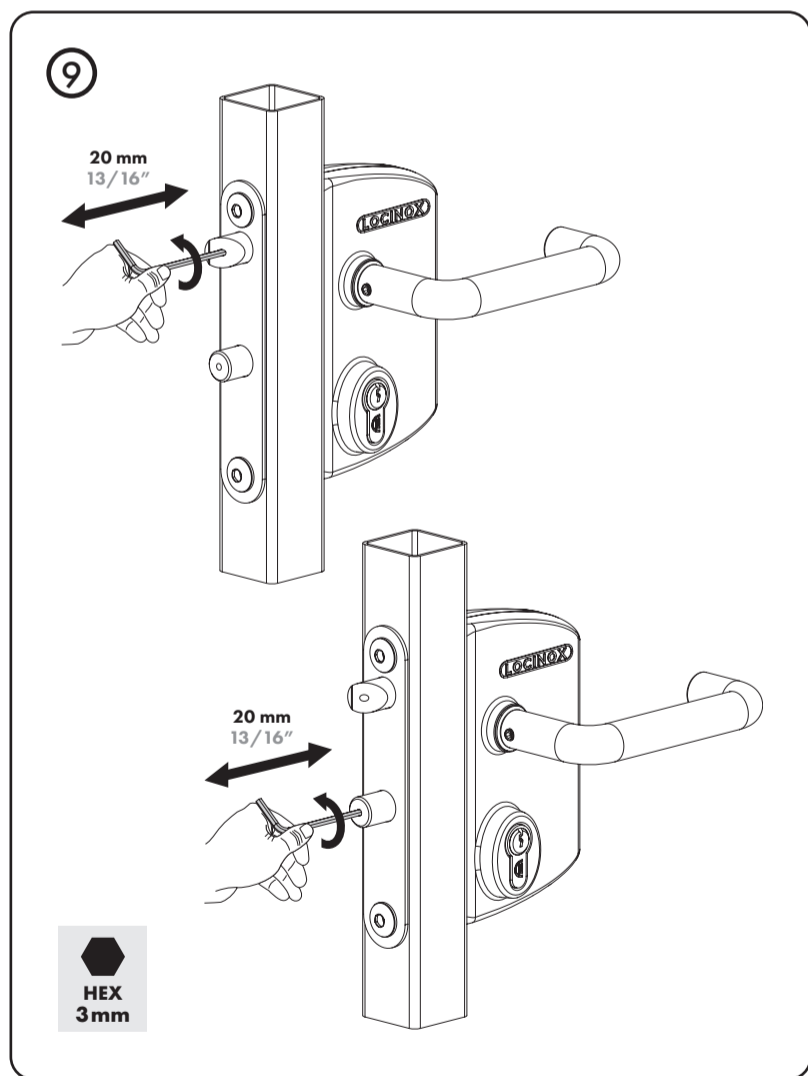
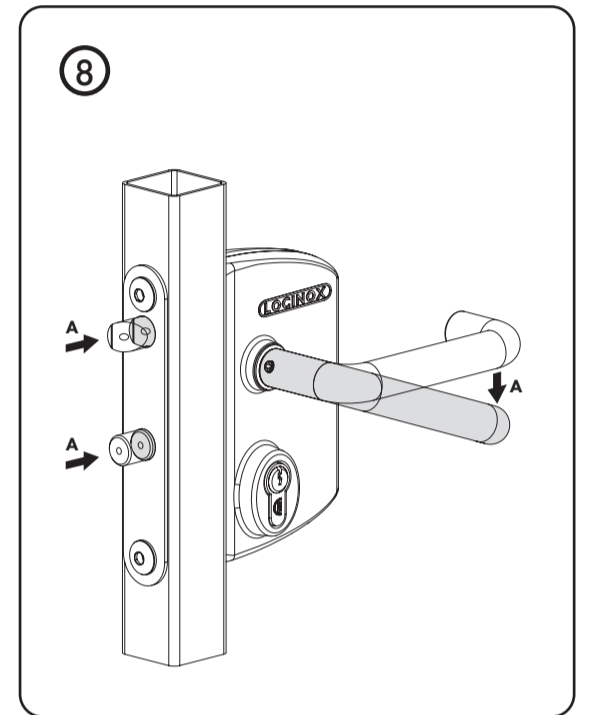
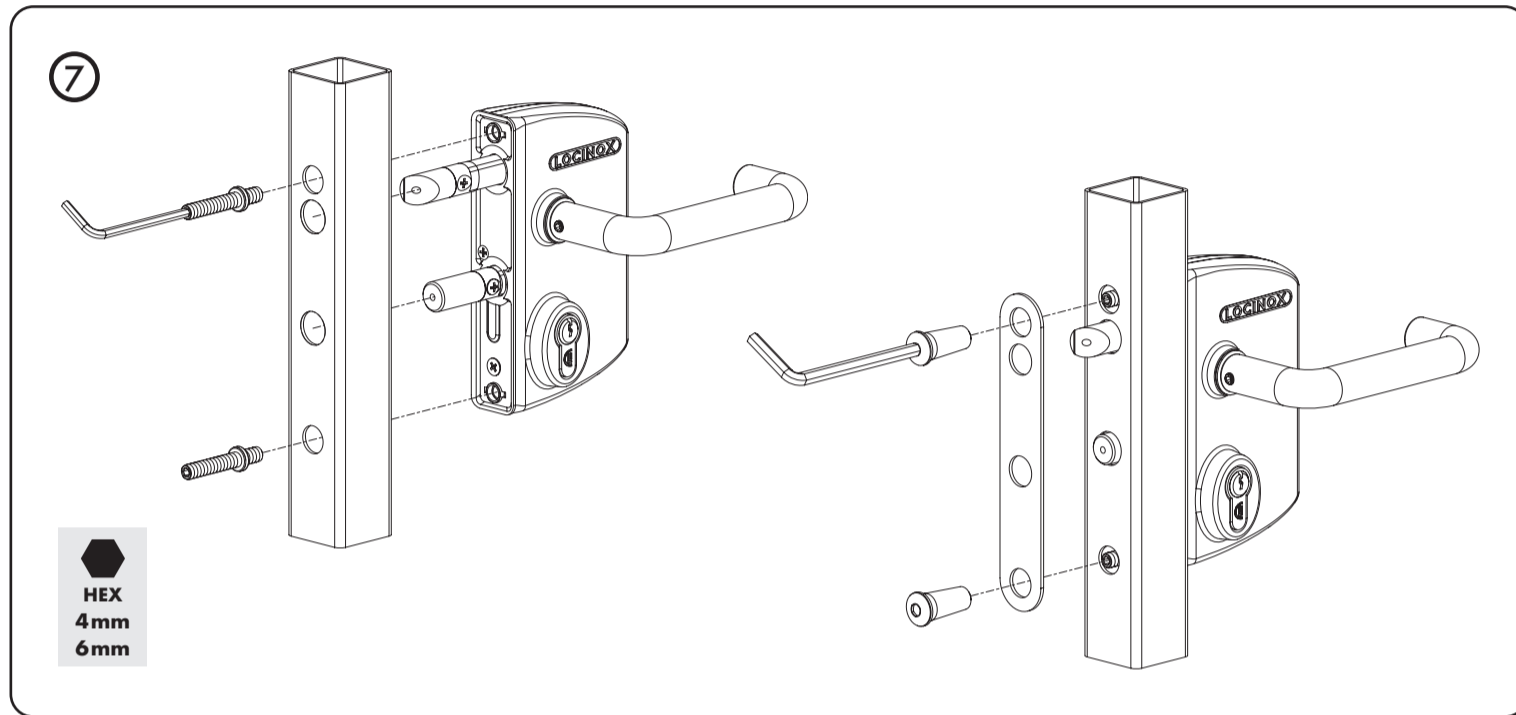
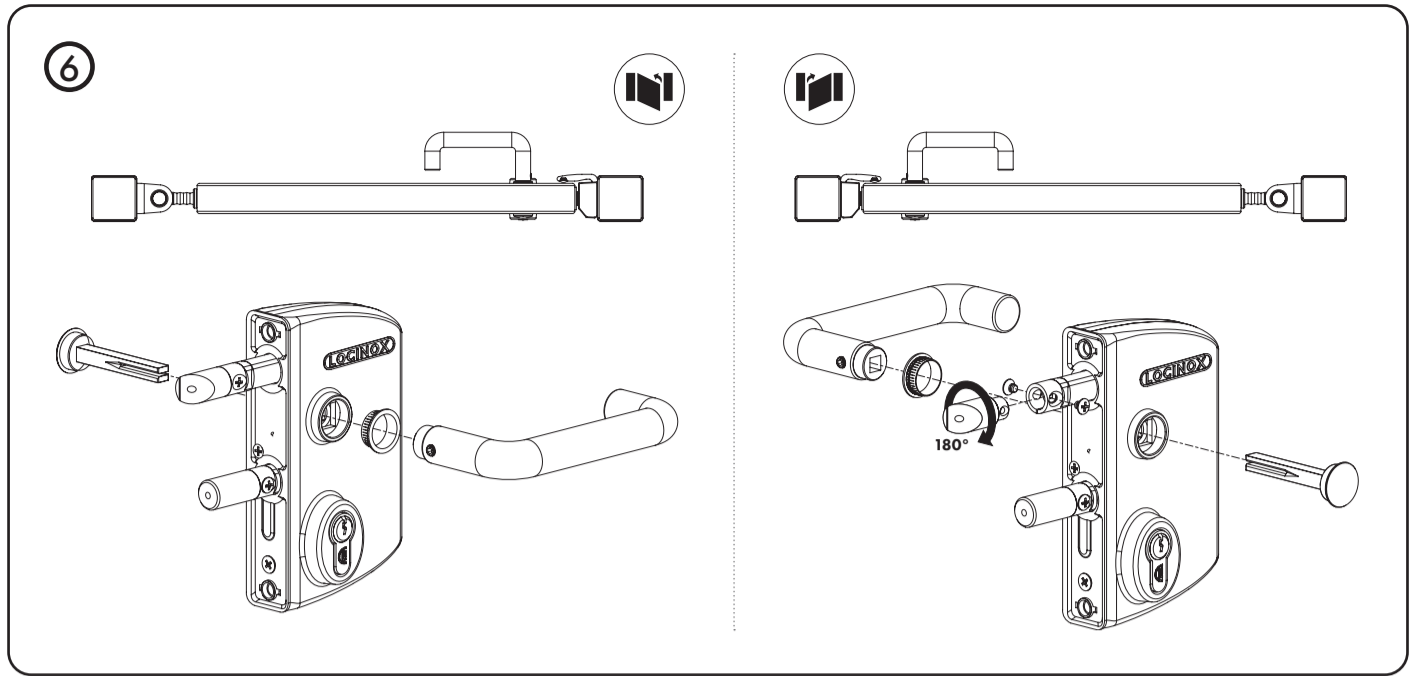
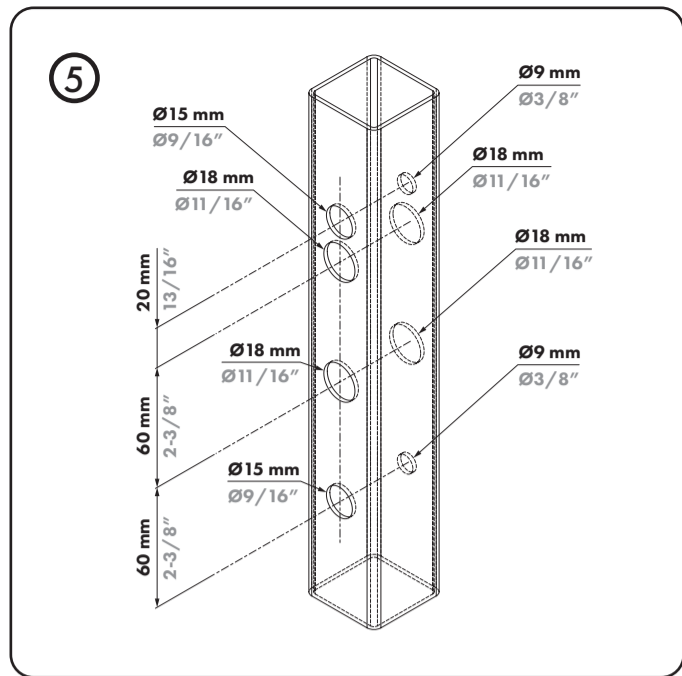
3 Classificatie volgens EN179:2008

37601422AB

- 4 Gebruikscategorie** - Hoge gebruiksfrequentie waar er weinig onderhoud nodig is
- 8 Duurzaamheid** - Klasse 7: 200.000 testcycli
- 7 Deurmassa** - Klasse 6: tot 200 kg
- 1 Geschikt voor gebruik op branddeuren** - Klasse 0: niet geschikt voor gebruik op brand-/rookdeuren
- 2 Veiligheid** - Klasse 1: alle nooduitgangen hebben een kritieke veiligheidsfunctie, daarom wordt alleen de hoogste klasse geïdentificeerd voor de doeleinden van deze Europese norm
- 5 Corrosieweerstand** - Klasse 4: zeer hoge weerstand (240 uur)
- 3 Beveiliging** - Grade 2: 1000 N
- 3 Projectie van het bedieningselement** - Klasse 2: tot 100 mm
- A Type bediening** - Type A: nooduitgang met handgreepbediening
- B Beoogd gebruik** - Type B: naar buiten openende enkele deur

4 Poortgewichten en -afmetingen





CE 20

Locinox NV
Mannebeekstraat 21
8790 Waregem
Belgium

Locinox LLC
460 Windy Point Drive
Glendale Heights - IL 60139
USA

Anti-paniek poortslot in opbouw
LPKQ40*A2 + SF slotvanger
LPKQ60*A2 + SF slotvanger

EN 179:2008
37601422AB

NB-Nr. 0960
0960-CPR-SKGIKOB.011818.01.ENG

pictures@locinox.com

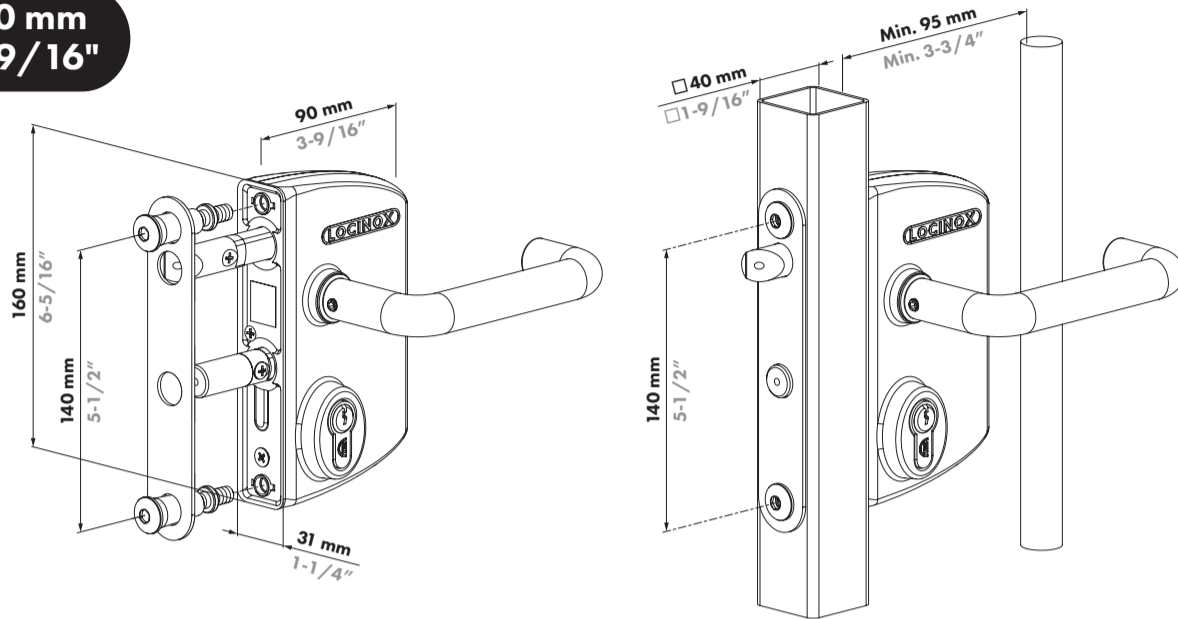
<p>SUCCESSFUL INSTALLATION? Please send us your pictures & videos</p>	<p>SUCCESSVOLLE INSTALLATIE? Stuur gerust uw foto's & video's door</p>	<p>INSTALLATION RÉUSSITE? Veuillez nous envoyer vos photos & vidéos</p>	<p>ERFOLGREICHE INSTALLATION? Bitte senden Sie uns Ihre Bilder & Videos</p>	<p>INSTALACION EXITOSA? Por favor envíenos sus fotos y videos</p>	<p>UDANA INSTALACJA? Prześlij nam swoje zdjęcia i filmy</p>	<p>УСПЕШНАЯ УСТАНОВКА? Пожалуйста, отправьте нам свои фотографии и видео</p>
--	---	--	--	--	--	---

LOCINOX
Let's make it better together

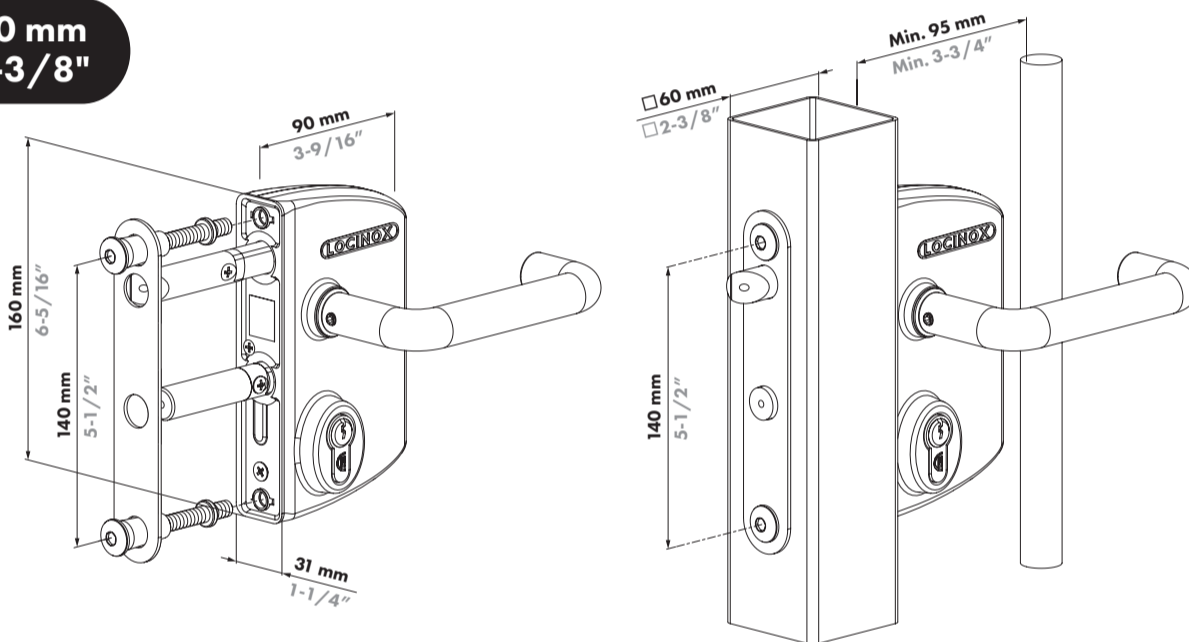
Doc. Nr.: **MANU-000228**

M A N U - 0 0 0 2 2 8

**1 40 mm
1-9/16"**



**1 60 mm
2-3/8"**



? LOCINOX HQ

LIVE CHAT
www.locinox.com
+32 56 77 27 66
help@locinox.com
www.locinox.com/lpkqu2

? LOCINOX USA

LIVE CHAT
www.locinoxusa.com
877-LOCINOX
helpusa@locinox.com
www.locinoxusa.com/lpkqu2

2 Dispositifs de sortie de secours selon la norme EN 179:2008

Les configurations suivantes sont approuvées pour être installées sur une porte d'une issue de secours conformément à la norme EN 179:2008

DIMENSIONS DU PROFIL DE LA PORTE	SERRURES
40 mm	LPKQ4040
60 mm	LPKQ6060

CYLINDRE	POIGNÉE	GÂCHE
3012-54-STD	3006A-2	SAKLQF

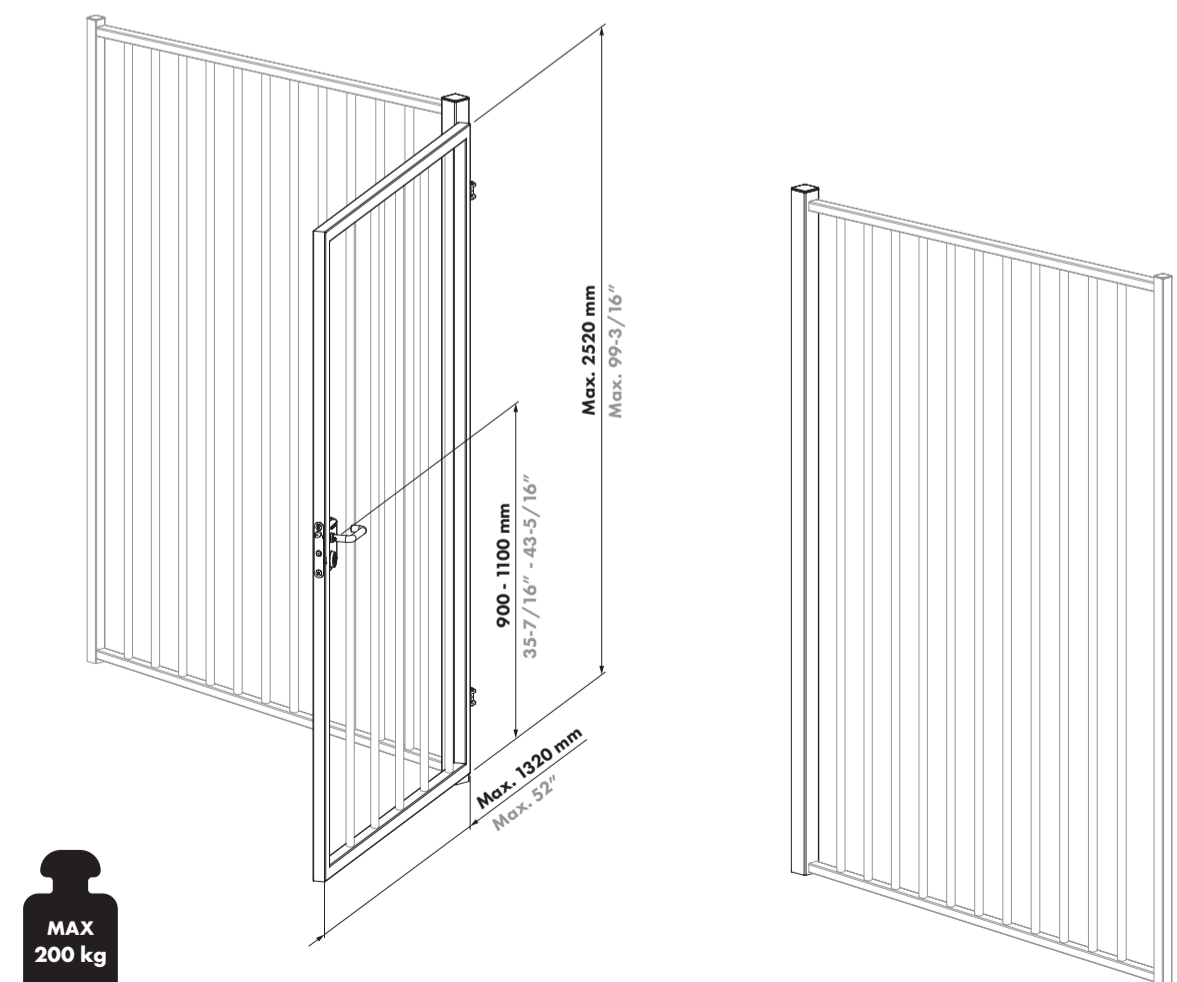
Les caractéristiques de sécurité de ce produit sont essentielles à sa conformité à la norme EN 179:2008. Aucune modification d'aucune sorte autre que celles décrites dans ce manuel ne sont autorisées.

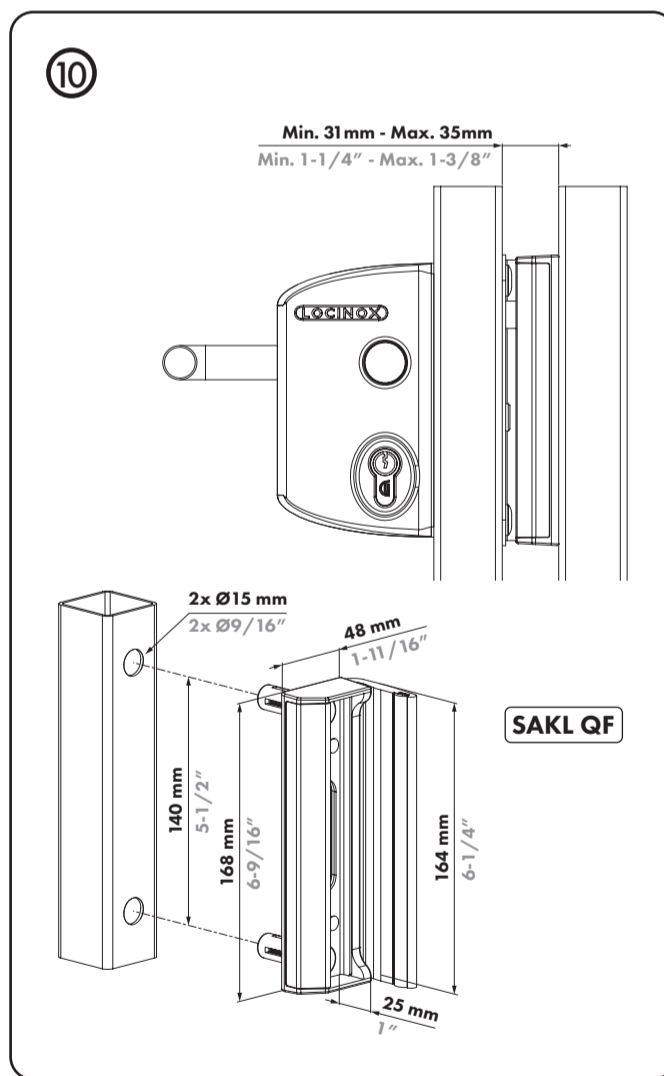
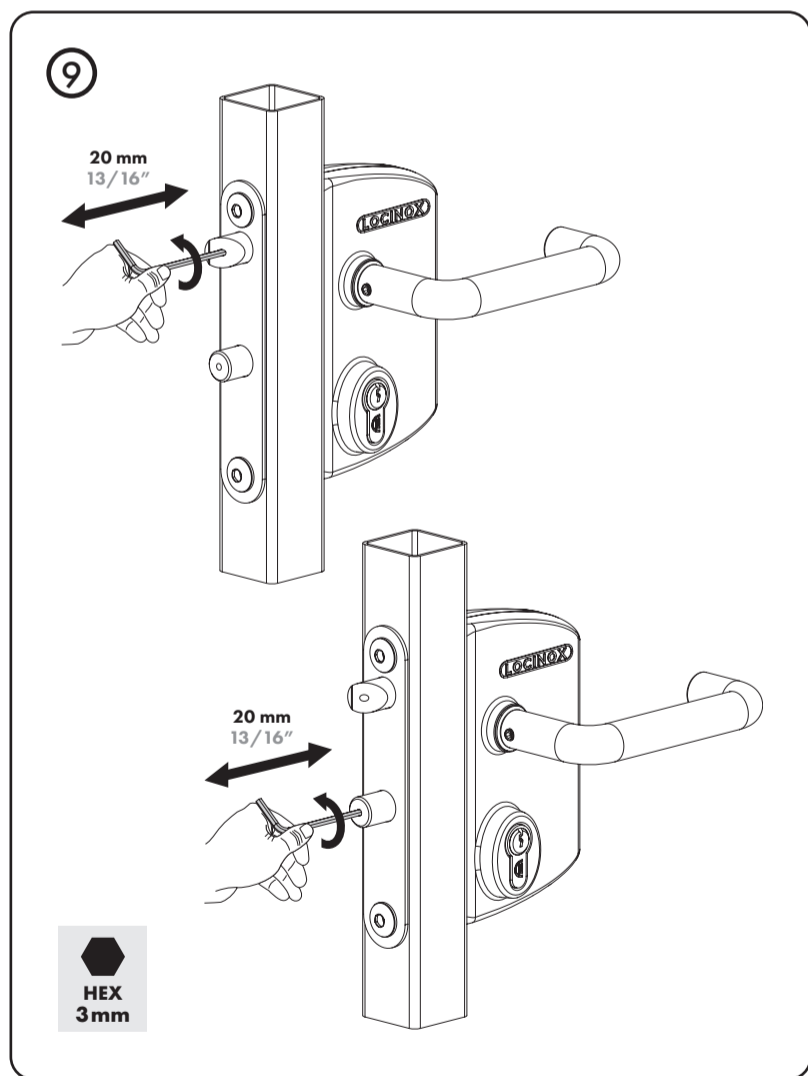
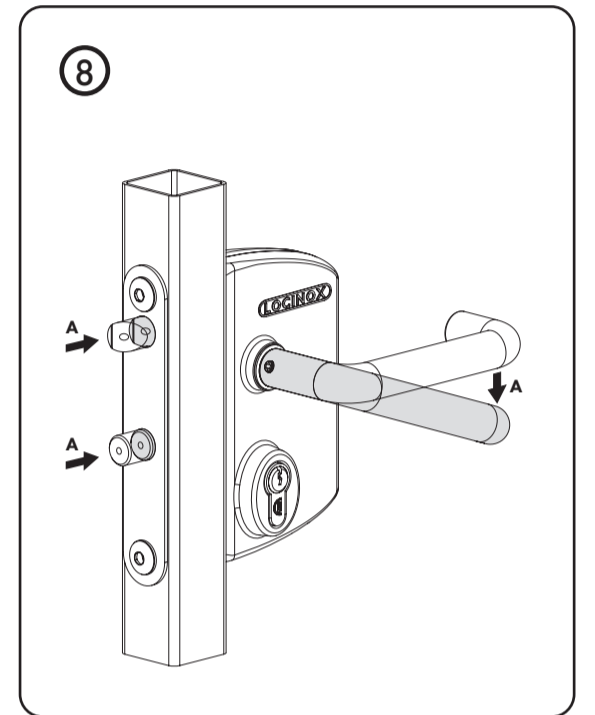
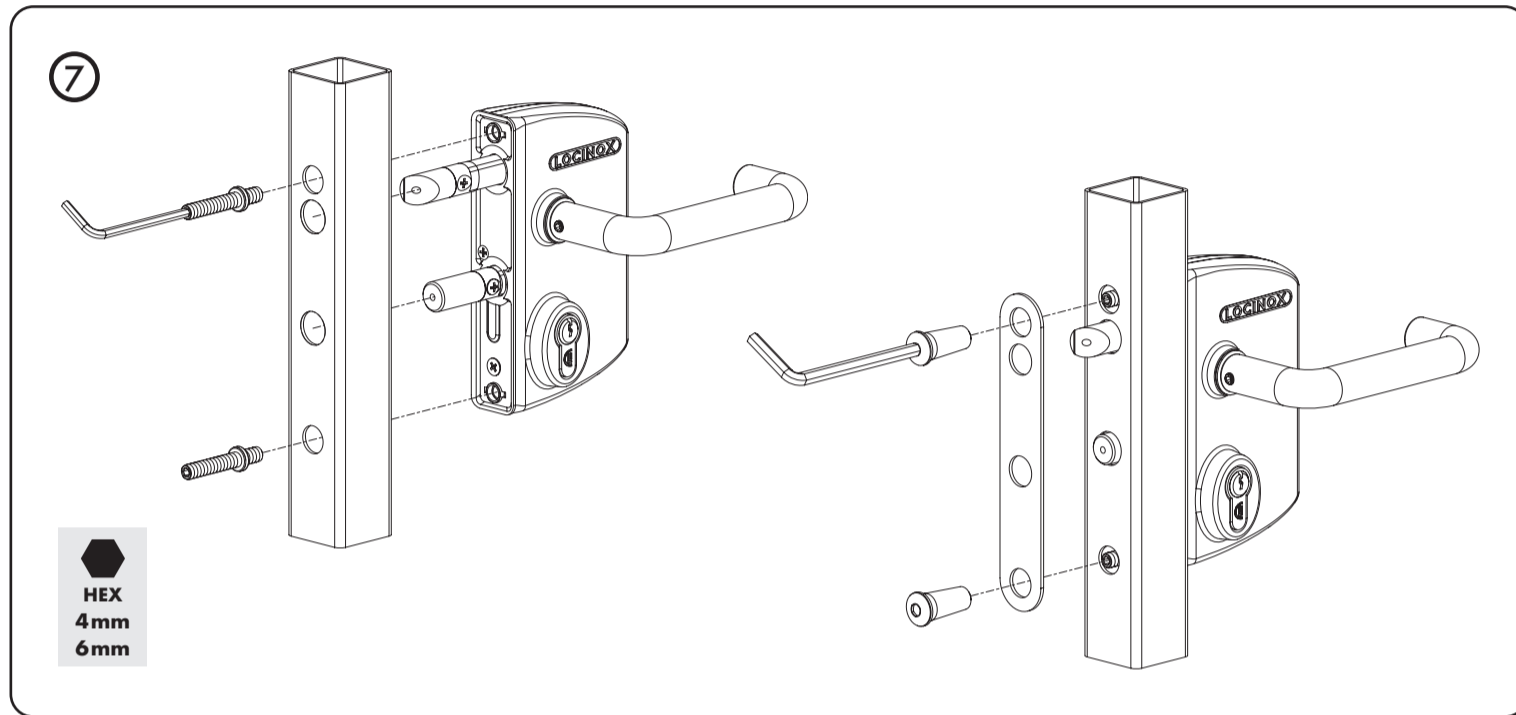
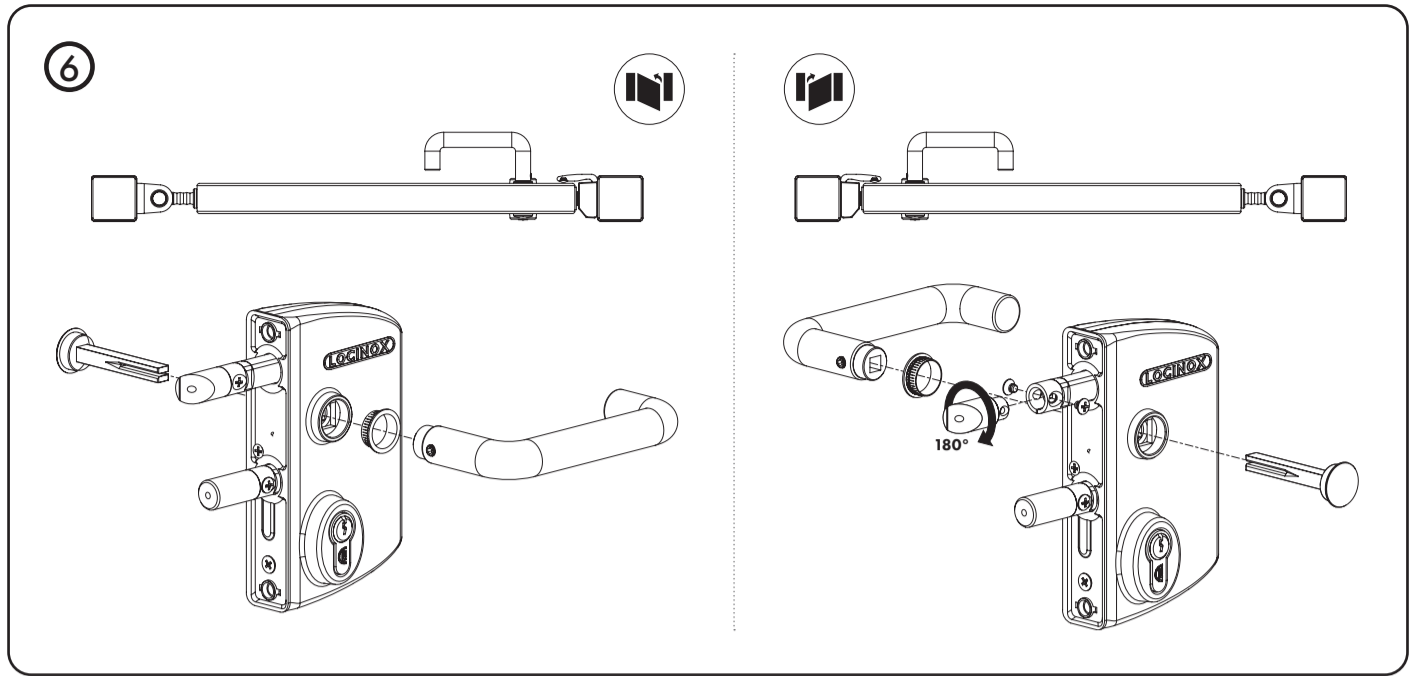
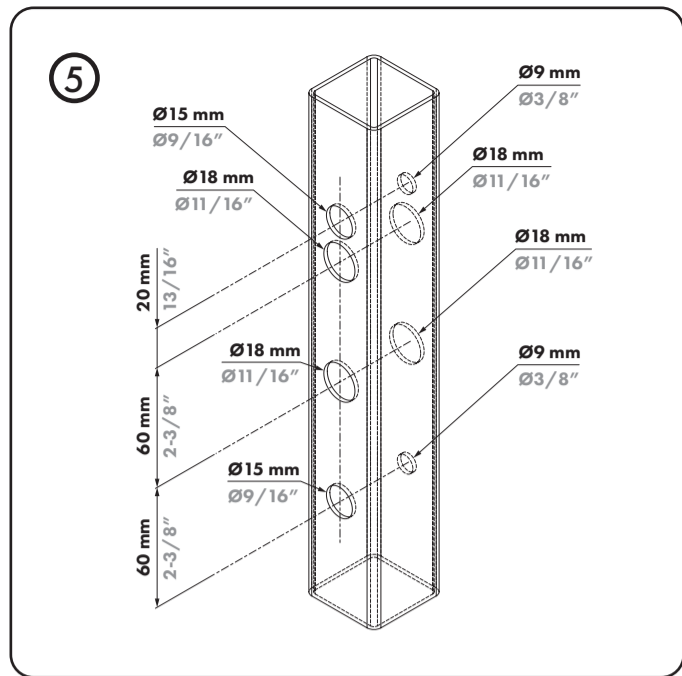
3 Classification selon la norme EN179:2008

37601422AB

- 3 Catégories d'utilisation** — Fréquence d'utilisation élevée avec peu d'entretien
- 7 Durabilité** — Grade 7: 200 000 cycles d'ouverture
- 6 Masse de la porte** — Grade 6: jusqu'à 200 kg
- 0 Utilisation sur des portes coupe-feu** — Grade 0: Non approuvé pour une utilisation sur des portes coupe-feu
- 1 Sécurité** — Grade 1: tous les dispositifs de sortie de secours ont une fonction de sécurité critique, par conséquent, seule la classe supérieure est identifiée aux fins de la présente norme européenne
- 4 Résistance à la corrosion** — Grade 4: très haute résistance (240 h)
- 2 Sécurité** — Grade 2: 1000 N
- 2 Projection de l'élément de commande** — Grade 2: jusqu'à 100 mm
- A Type d'application** — Type A: dispositif de sortie de secours avec poignée
- B Utilisation conforme** — Type B: porte simple à ouverture vers l'extérieur

4 Poids et dimensions de la porte





CE 20

Locinox NV
Mannebeekstraat 21
8790 Waregem
Belgium

Locinox LLC
460 Windy Point Drive
Glendale Heights - IL 60139
USA

Serrure en applique pour porte anti-panique
LPKQ40* A2 + SF gâche
LPKQ60* A2 + SF gâche

EN 179:2008
37601422AB

NB-Nr. 0960
0960-CPR-SKGIKOB.011818.01.ENG

SMILEY

pictures@locinox.com

SUCCESSFUL INSTALLATION?
Please send us your pictures & videos

SUCCESSFUL INSTALLATION?
Stuur gerust uw foto's & video's door

INSTALLATION RÉUSSITE?
Veuillez nous envoyer vos photos & vidéos

ERFOLGREICHE INSTALLATION?
Bitte senden Sie uns Ihre Bilder & Videos

INSTALACION EXITOSA?
Por favor envíenos sus fotos y videos

UDANA INSTALACJA?
Prześlij nam swoje zdjęcia i filmy

УСПЕШНАЯ УСТАНОВКА?
Пожалуйста, отправьте нам свои фотографии и видео

LOCINOX
Let's make it better together

Doc. Nr.:
MANU-000228

M A N U - 0 0 0 2 2 8

CERTIFICAT

0960-CPR-SKGIKOB.011818.01.ENG

Délivré le 11/03/2020
Valable jusqu'au : 11/03/2025



Titulaire du certificat

Locinox NV
Mannebeekstraat 21
B-8790 Waregem
T : +32 (0)56 772 766
E : locinox@locinox.com
I : www.locinox.com

Certificat de constance des performances

Déclaration de SKG-IKOB (Organisme notifié 0960)

Conformément au Règlement (UE) n° 305/2011 du Parlement européen et du Conseil du 9 mars 2011 (le Règlement Produits de Construction ou RPC), ce certificat s'applique au produit de construction

FERMETURE D'URGENCE POUR ISSUES DE SECOURS MANOEUVREES PAR UNE BEQUILLE OU UNE PLAQUE DE POUSSEE DESTINEES A ETRE UTILISEES SUR DES VOIES D'EVACUATION

listé en annexe placé sur le marché sous le nom ou la marque du titulaire de ce certificat et fabriqué par le titulaire de ce certificat ou pour le titulaire de ce certificat dans le(s) établissement(s) de fabrication éventuellement indiqué(s) ci-dessus.

Le présent certificat atteste que toutes les dispositions concernant l'évaluation et la vérification de la constance des performances décrites dans l'annexe ZA de la/des norme(s)

EN 179:2008

sous le système 1 pour les performances décrites dans ce certificat sont appliquées et que les performances du produit de construction peuvent être considérées comme constantes.

Ce certificat a été délivré pour la première fois le 11/03/2020 et reste valable jusqu'à la date mentionnée sur le présent certificat tant que ni la norme harmonisée, ni le produit de construction, ni le système d'évaluation et de vérification de la constance des performances ni les conditions de fabrication dans l'établissement de fabrication ne sont pas modifiés de manière significative, à moins d'une suspension ou d'un retrait par l'organisme notifié de certification de produits.

Pour SKG-IKOB

Ing. H.A.J. van Dartel
Responsable de la certification

Il est recommandé aux utilisateurs du présent certificat de vérifier sur www.skgikob.nl si le présent certificat est toujours valable et actuel. Le présent certificat se compose de 2 pages.



SKG-IKOB Certificatie
Poppenbouwing 56
4191 NZ Geldermalsen

Postbus 202
4190 CE Geldermalsen

T 088-2440100
info@skgikob.nl
www.skgikob.nl

CERTIFICAT

Locinox NV
Numéro : 0960-CPR-SKGIKOB.011818.01.ENG

Page 2 de 2

Annexe 1 CERTIFICAT DE CONSTANCE DE PERFORMANCES

Article	Spécifications	Classification suivant la norme EN 179	SKG-IKOB - ITT (rapport n°)										
Verrou : LPKQ Poignées : 3006A-2 Cylindre : 3012-54-STD Armature : SAKLQF	Aluminium Dimensions : 160x90x54 mm Aluminium – anodisé Dimensions : Ø19.5 x 65 x 140 mm (modèle D) Côté sûr : poignée Côté non sécurisé : affût Laiton Dimensions : 17 mm cylindre profilé 27/27 mm Chassis assemblé : Acier inoxydable SS304 plaque d'armature en combinaison avec contre- plaque en aluminium Dimensions: Plaque d'armature : 165 x 47 x 25 mm Contre-plaque : 164 x 54/54 x 7,0 mm	<table border="1"><tr><td>3</td><td>7</td><td>6</td><td>0</td><td>1</td><td>4</td><td>2</td><td>2</td><td>A</td><td>B</td></tr></table>	3	7	6	0	1	4	2	2	A	B	18.01271-2
3	7	6	0	1	4	2	2	A	B				

DECLARATION OF PERFORMANCE

DOP Nr: DOP001 EN179 LP-A2-SA

1. ID Code of the Product Type	LPKQ - Panic Lock
2. ID of the Product	LPKQ40*A2 + SA keep LPKQ60*A2 + SA keep
3. Intended Use	Panic lock on single exit door
4. Manufacturer	LOCINOX Mannebeekstraat 21 B-8790 Waregem
5. System of assesment and verification of constancy of performance	System 1
6. Notified Body	SKG-IKOB (0960) Poppenbouwing 56 4191 NZ Geldermalsen
7. Harmonised technical specifications	EN179:2008
8. Declared Performances	

Classification according to EN179:2008 **3 7 6 0 1 4 2 2 A B**

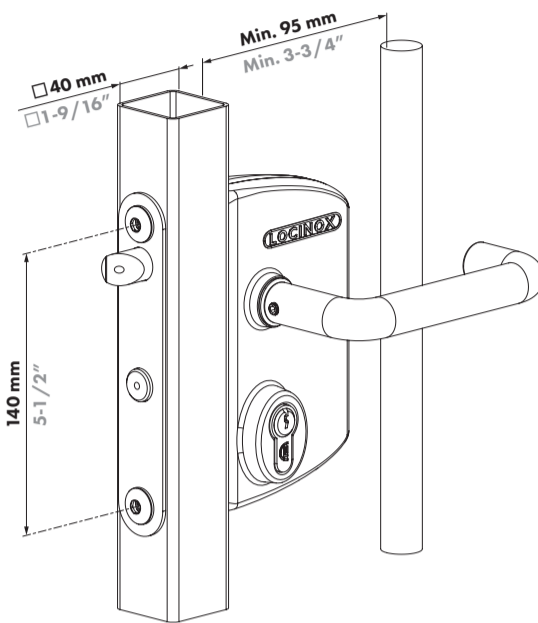
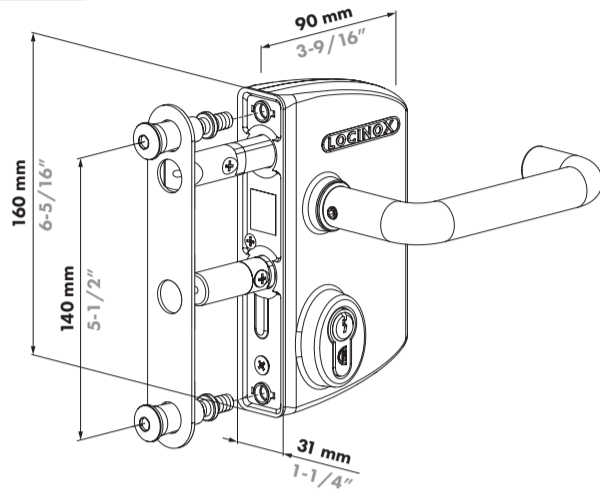
Performance characteristics	Performance	Harmonised technical specifications
Ability to release (for locked doors on escape routes)		
Release function	< 1 s	4.1.2 of EN179:2008
Release operation	following the direction of the door opening	4.1.3 of EN179:2008
Lever handle design	movement of lever handle in a downward rotational direction	4.1.4 of EN179:2008
Exposed edges and corners	> 0,5 mm	4.1.8 of EN179:2008
Lever handle installation	X>=120 mm; Z <=150mm	4.1.12 of EN179:2008
Operating element projection	Grade 2 - W<100mm	4.1.13 of EN179:2008
Lever handle free end	U>=40 mm, α <=30°	4.1.15 of EN179:2008
Lever handle operating gap	test block can be passed freely between lever handle and surface of the door	4.1.16 of EN179:2008
Test rod	Test rod dia 10 mm does not fit in gaps	4.1.18 of EN179:2008
Accessible gap	Test block placed in any accessible gap in any orientation does not prevent correct operation of the emergency exit device	4.1.20 of EN179:2008
Door free movement	Once the door has been released to open, the bolt head does not restrict the free movement of the door	4.1.21 of EN179:2008
Keepers	The keeper protects the door frame from damage which may be caused by the door closing and opening	4.1.24 of EN179:2008
Door mass and door dimensions	Mass<= 200kg, height <= 2520 mm, width <=1320 mm	4.1.27 of EN179:2008
Release force	<=70N	4.2.2 of EN179:2008
Security requirement	Grade 2; the device remains in the locked position when a force of 1000 N is applied to the door	4.2.7 of EN179:2008
Durability of ability to release (for locked doors on escape routes)		
Corrosion resistance	Grade 4; very high resistance (240 h)	4.2.9 of EN179:2008
Temperature range	Operating forces compliant between -10°C and +60°C	4.1.9 of EN179:2008
Lubrication	not needed	4.1.26 of EN179:2008
Re-engagement force	<=50N	4.2.3 of EN179:2008
Durability	Grade 7; 200.000 test cycles	4.2.4 of EN179:2008
Abuse resistance - operating element	N/A	4.2.6 of EN179:2008
Final examination	At the end of the program the emergency exit device is still operable and meets the requirements of 4.2.2 and 4.1.21	4.2.8 of EN179:2008
Selfclosing ability C (for fire/smoke doors on escape routes)	N/A	4.2.3 of EN179:2008
Durability of selfclosing ability C against aging and degradation (for fire/smoke doors on escape routes)	N/A	4.2.3 and 4.2.4 of EN179:2008
Resistance to fire E (integrity) and I(insulation)	N/A	4.1.10 and annex B of EN179:2008
Control of dangerous substances	The materials in this product do not contain or release any dangerous substances in excess of the max. levels specified in existing European material standards or any national regulations	4.1.29 of EN179:2008

9. The performance of the product identified in points 1 and 2 is in conformity with the declared performance in point 8
The declaration of performance is issued under the sole responsibility of LOCINOX

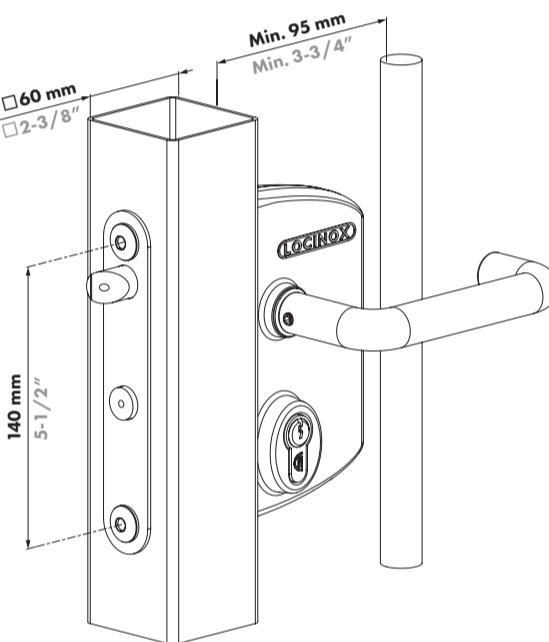
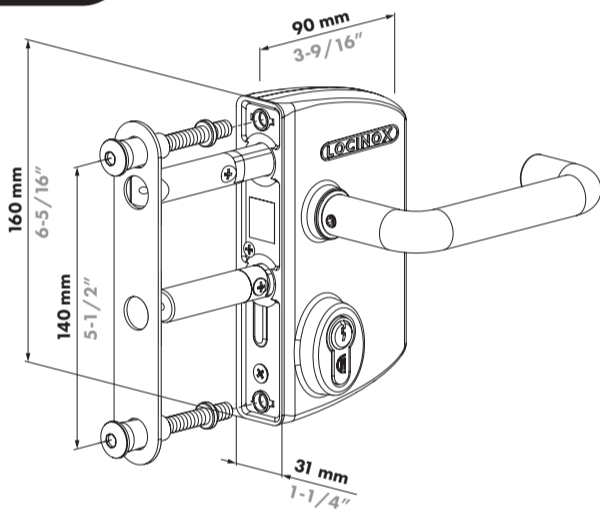
Waregem, 18/03/2020

Mik Emmerechts, CEO

1 40 mm
1-9/16"



1 60 mm
2-3/8"



? LOCINOX HQ

LIVE CHAT
www.locinox.com
+32 56 77 27 66
help@locinox.com
www.locinox.com/lpkqu2

? LOCINOX USA

LIVE CHAT
www.locinoxusa.com
877-LOCINOX
helpusa@locinox.com
www.locinoxusa.com/lpkqu2

2 Notausgangsschlösser nach EN 179:2008

Die folgenden Konfigurationen dürfen gemäß EN 179:2008 in ein Notausgangstor eingebaut werden

TORPROFIL MASSE	SCHLÖSSER
40 mm	LPKQ4040
60 mm	LPKQ6060

ZYLINDER	DRÜCKER	ANSCHLAG
3012-54-STD	3006A-2	SAKLQF

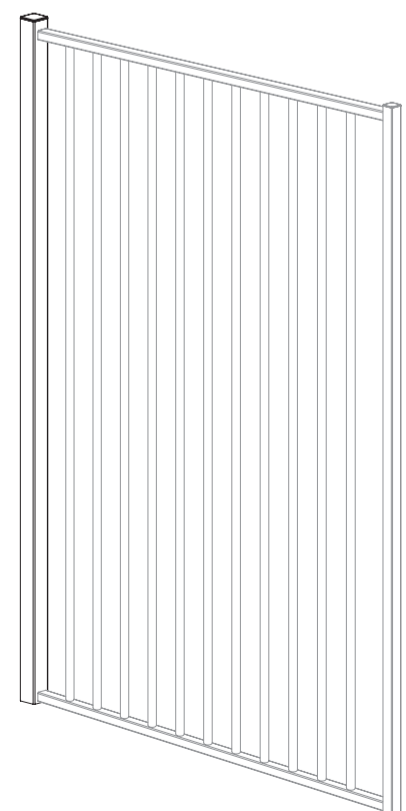
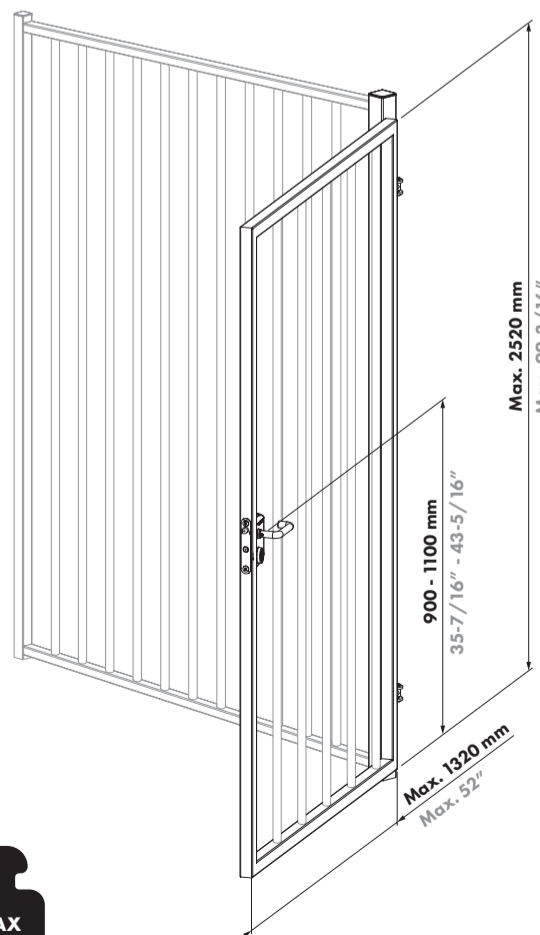
Die Sicherheitsmerkmale dieses Produkts sind für die Einhaltung von EN 179:2008 von wesentlicher Bedeutung. Andere als die in dieser Anleitung beschriebenen Änderungen sind nicht gestattet.

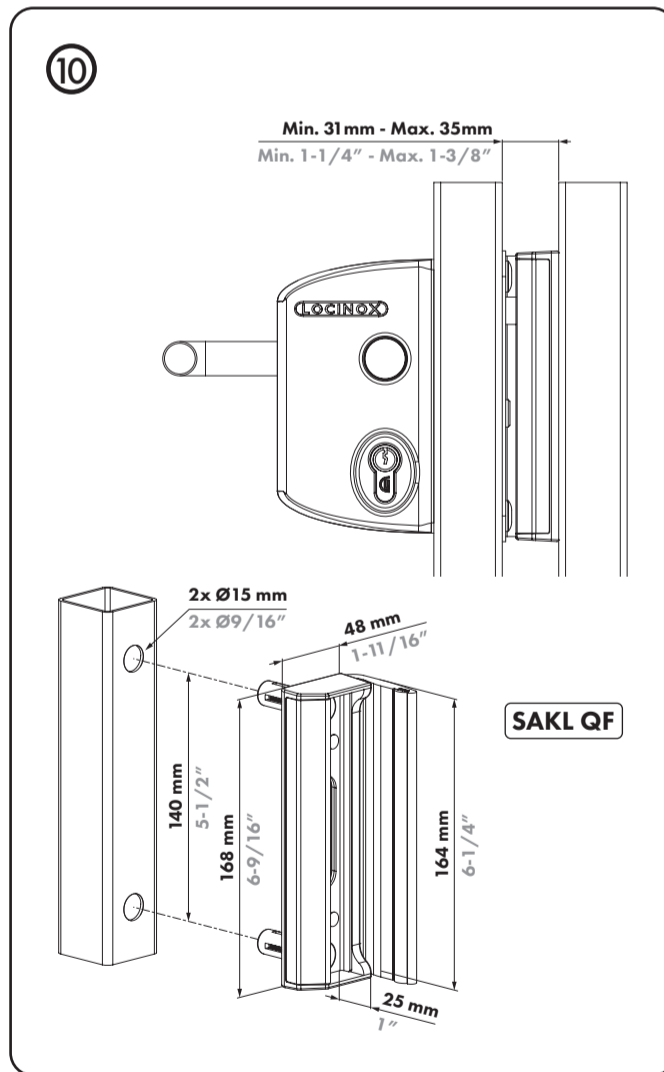
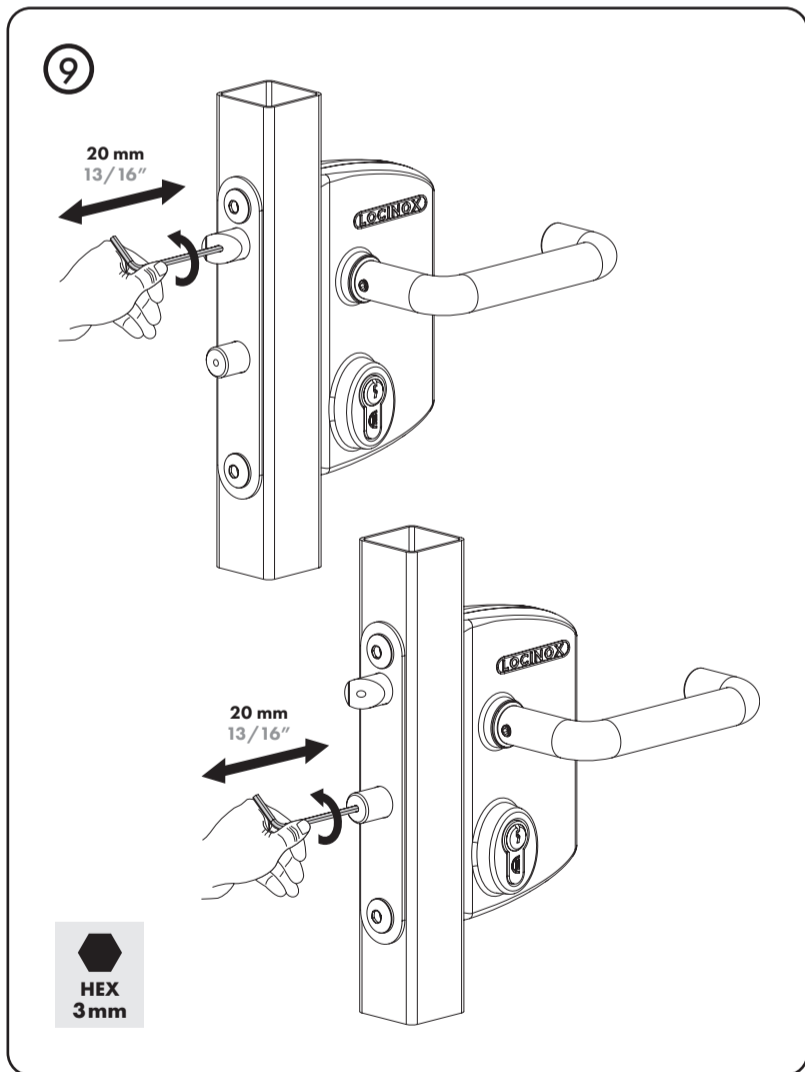
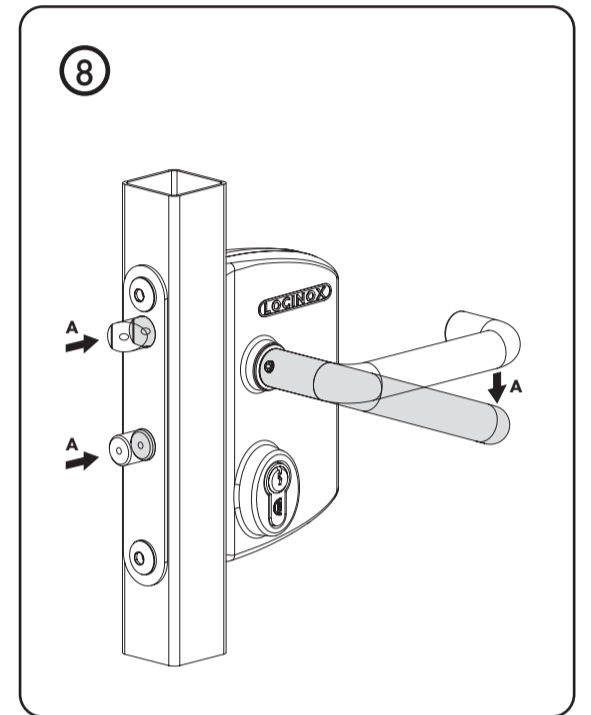
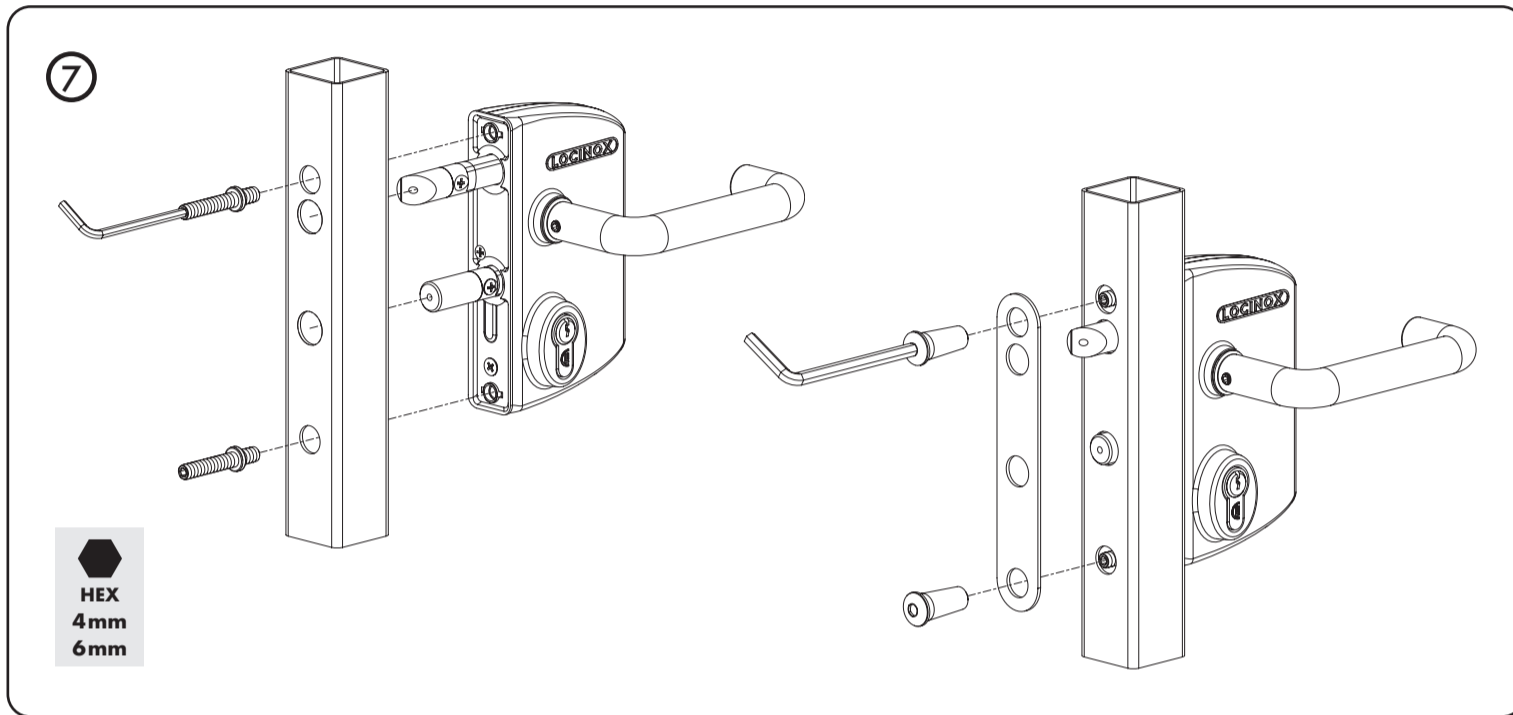
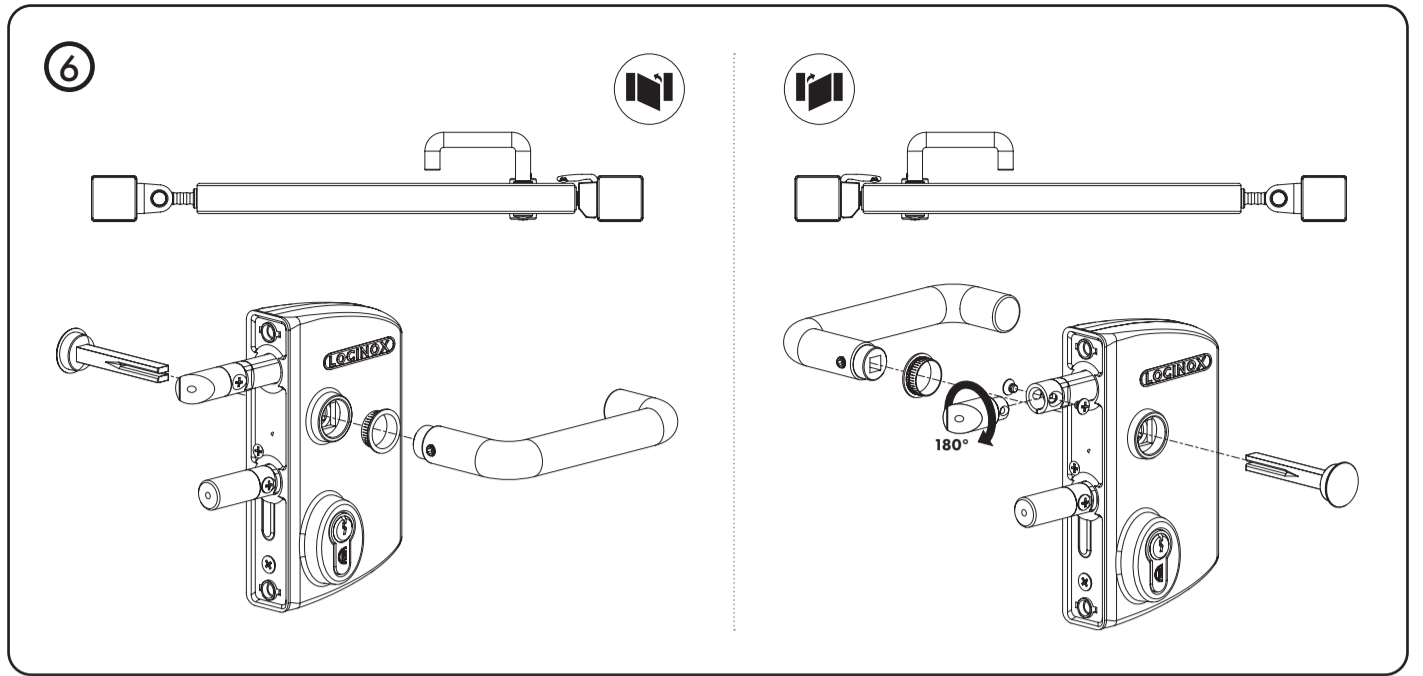
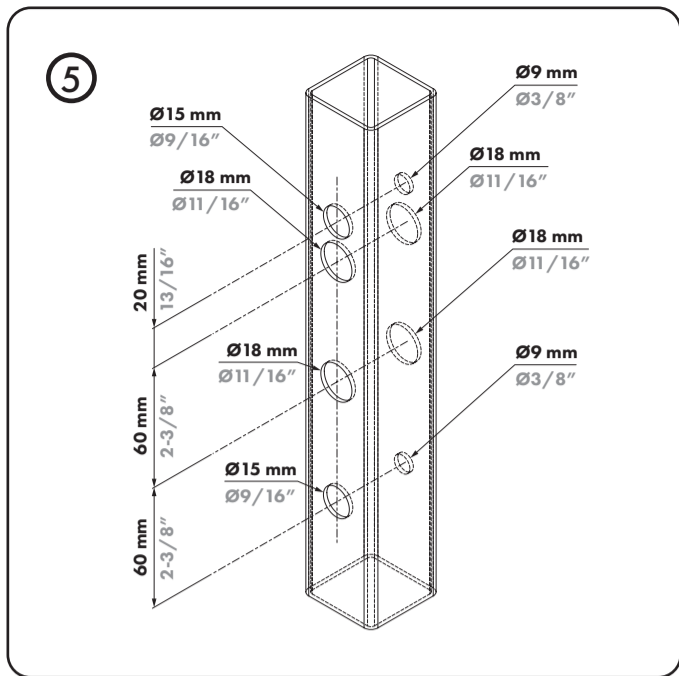
3 Einstufung nach EN 179:2008

37601422AB

- 3** **Verwendungskategorie** - Hohe Verwendungshäufigkeit bei geringer Wartung
- 7** **Haltbarkeit** - Klasse 7: 200 000 Testzyklen
- 6** **Tordimension** - Klasse 6: bis zu 200 kg
- 0** **Geeignet für die Verwendung an Rauchschutztüren** - Klasse 0: Nicht für die Verwendung an Feuer-/Rauchschutztüren zugelassen
- 1** **Sicherheit** - Klasse 1: Alle Notausgangsvorrichtungen haben eine kritische Sicherheitsfunktion, daher wird für die Zwecke dieser Europäischen Norm nur die höchste Klasse identifiziert
- 4** **Korrosionsbeständigkeit** - Klasse 4: sehr hohe Beständigkeit (240h)
- 2** **Sicherheit** - Klasse 2: 1000 N
- 2** **Vorsprung des Bedienelements** - Klasse 2: bis 100 mm
- A** **Betriebsart** - Typ A: Notausgangsvorrichtung mit Drückerbedienung
- B** **Verwendungszweck** - Typ B: nach außen öffnendes Einzeltor

4 Tormaße und Tordimension





Locinox NV
 Mannebeekstraat 21
 8790 Waregem
 Belgium

Locinox LLC
 460 Windy Point Drive
 Glendale Heights - IL 60139
 USA

Aufbau Panik-Torschloss
 LPKQ40* A2 + SF Anschlag
 LPKQ60* A2 + SF Anschlag

EN 179:2008
 37601422AB

NB-Nr. 0960
 0960-CPR-SKGIKOB.011818.01.ENG

pictures@locinox.com

SUCCESSFUL INSTALLATION? Please send us your pictures & videos	SUCCESSFUL INSTALLATION? Stuur gerust uw foto's & video's door	INSTALLATION RÉUSSITE? Veuillez nous envoyer vos photos & vidéos	ERFOLGREICHE INSTALLATION? Bitte senden Sie uns Ihre Bilder & Videos	INSTALACION EXITOSA? Por favor envíenos sus fotos y videos	UDANA INSTALACJA? Prześlij nam swoje zdjęcia i filmy	УСПЕШНАЯ УСТАНОВКА? Пожалуйста, отправьте нам свои фотографии и видео
--	--	--	--	--	--	---

Let's make it better together

Doc. Nr.: MANU-000228

M A N U - 0 0 0 2 2 8

ZERTIFIKAT

0960-CPR-SKGIKOB.011818.01.ENG

Ausgestellt am 11.03.2020
Gültig bis 11.03.2025



Zertifikatsinhaber

Locinox NV
Mannebeekstraat 21
B-8790 Waregem
Tel. +32 (0)56 772 766
E-mail: info@locinox.com
Website: www.locinox.com

Zertifikat über die Leistungsbeständigkeit

Erklärung von SKG-IKOB (Notifizierte Zertifizierungsstelle 0960)

In Übereinstimmung mit der Verordnung (EU) Nr. 305/2011 des Europäischen Parlaments und des Rates vom 9. März 2011 (Bauprodukteverordnung oder CPR) gilt dieses Zertifikat für das Bauprodukt.

NOTAUSGANGSVORRICHTUNG BETÄTIGT DURCH DRÜCKER ODER STOSSPLATTE FÜR DEN GEBRAUCH BEI RETTUNGSWEGEN

wie im beigefügten Appendix spezifiziert wird das Produkt auf dem Markt unter dem Namen oder Markennamen des Inhabers dieses Zertifikates geführt und von dem Inhaber des Zertifikates hergestellt oder für den Inhaber des Zertifikates beim Hersteller produziert, falls oben angegeben.

Dieses Zertifikat bescheinigt, dass alle Vorschriften in Bezug auf die Bewertung und Verifizierung der Leistungsbeständigkeit, die im Anhang ZA der Richtlinien

EN 179-2008

beschrieben sind, unter System 1 für die im Zertifikat erwähnten Leistungen angewandt werden und dass die Leistung des Bauprodukts gleichbleibend konstant bewertet wird.

Dieses Zertifikat wurde am 11. März 2020 ausgestellt und bleibt bis zum genannten Datum im Zertifikat gültig, solange sich weder die harmonisierten Standards, das Bauprodukt, die AVCP Methoden noch die Herstellungsbedingungen in der Fabrik grundlegend ändern, sofern es nicht von der Produktzertifizierungsstelle zurückgenommen wird.

Für SKG-IKOB

ir. H A J van Dartel
Zertifizierungsmanager

Der Inhaber des Zertifikates werden angewiesen auf der Website www.locinox.com zu überprüfen, ob es sich um das eigentliche Zertifikat handelt und noch gültig ist.
Das Zertifikat besteht aus 2 Seiten.



SKG-IKOB Certificatie
Poppenbouwing 56
4191 NZ Geldermalsen

Postbus 202
4190 CE Geldermalsen

T 088-2440100
info@skgikob.nl
www.skgikob.nl

ZERTIFIKAT

Locinox NV
Numéro : 0960-CPR-SKGIKOB.011818.01.ENG

Seite 2 von 2

Appendix 1 ZERTIFIKAT DER LEISTUNGSBESTÄNDIGKEIT

Artikel	Spezifikation	Klassifizierung gemäß EN 179	SKG-IKOB- ITT (Bericht Nr.)										
Schloß: LPKQ Klinke: 3006A-2 Zylindre 3012-54-STD Magnetanker: SAKLQF	Aluminium Abmessungen: 160x90x54 mm Aluminium - eloxiert Abmessungen: Ø 19,5x65x140 mm (D-Typ) Sichere Seite: Klinke Ungesicherte Seite: Blende Messing Abmessungen: 17 mm Profilzylinder 27/27 mm Montiertes Chassis: Edelstahl SS304 Ankerplatte ICW Aluminium Gegenplatte Abmessungen: Ankerplatte: 165x47x25mm Gegenplatte: 164x54/54x7.0mm	<table border="1"><tr><td>3</td><td>7</td><td>6</td><td>0</td><td>1</td><td>4</td><td>2</td><td>2</td><td>A</td><td>B</td></tr></table>	3	7	6	0	1	4	2	2	A	B	18.01271-2
3	7	6	0	1	4	2	2	A	B				

DECLARATION OF PERFORMANCE

DOP Nr: DOP001 EN179 LP-A2-SA

1. ID Code of the Product Type	LPKQ - Panic Lock
2. ID of the Product	LPKQ40*A2 + SA keep LPKQ60*A2 + SA keep
3. Intended Use	Panic lock on single exit door
4. Manufacturer	LOCINOX Mannebeekstraat 21 B-8790 Waregem
5. System of assesment and verification of constancy of performance	System 1
6. Notified Body	SKG-IKOB (0960) Poppenbouwing 56 4191 NZ Geldermalsen
7. Harmonised technical specifications	EN179:2008
8. Declared Performances	

Classification according to EN179:2008 **3 7 6 0 1 4 2 2 A B**

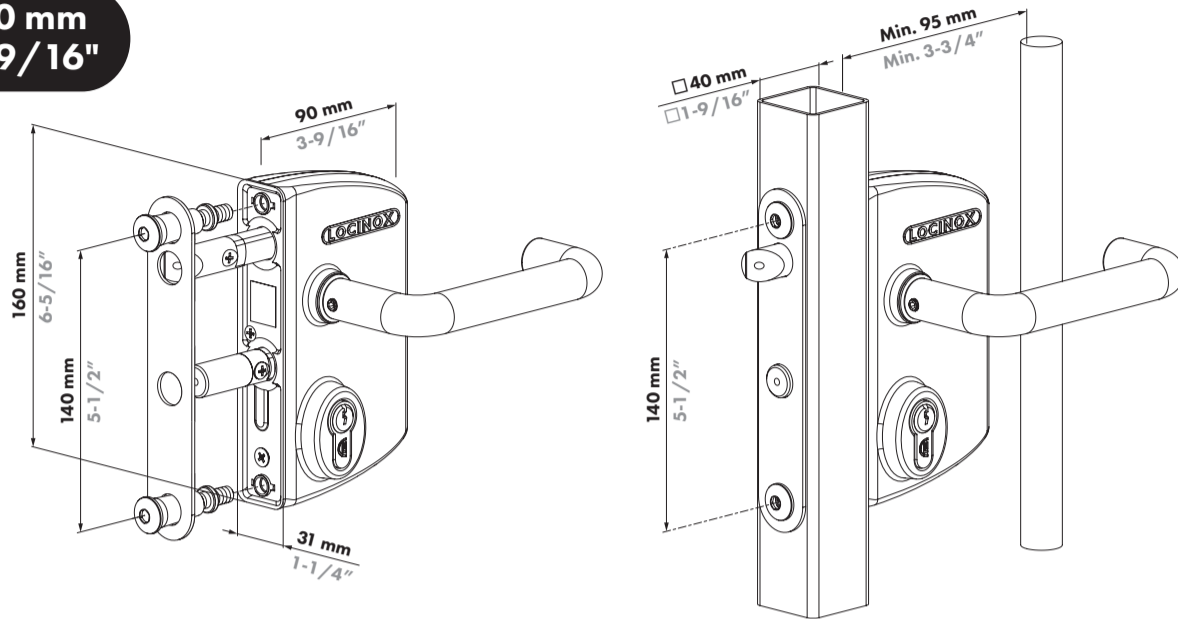
Performance characteristics	Performance	Harmonised technical specifications
Ability to release (for locked doors on escape routes)		
Release function	< 1 s	4.1.2 of EN179:2008
Release operation	following the direction of the door opening	4.1.3 of EN179:2008
Lever handle design	movement of lever handle in a downward rotational direction	4.1.4 of EN179:2008
Exposed edges and corners	> 0,5 mm	4.1.8 of EN179:2008
Lever handle installation	X>=120 mm; Z <=150mm	4.1.12 of EN179:2008
Operating element projection	Grade 2 - W<100mm	4.1.13 of EN179:2008
Lever handle free end	U>=40 mm, α <=30°	4.1.15 of EN179:2008
Lever handle operating gap	test block can be passed freely between lever handle and surface of the door	4.1.16 of EN179:2008
Test rod	Test rod dia 10 mm does not fit in gaps	4.1.18 of EN179:2008
Accessible gap	Test block placed in any accessible gap in any orientation does not prevent correct operation of the emergency exit device	4.1.20 of EN179:2008
Door free movement	Once the door has been released to open, the bolt head does not restrict the free movement of the door	4.1.21 of EN179:2008
Keepers	The keeper protects the door frame from damage which may be caused by the door closing and opening	4.1.24 of EN179:2008
Door mass and door dimensions	Mass<= 200kg, height <= 2520 mm, width <=1320 mm	4.1.27 of EN179:2008
Release force	<=70N	4.2.2 of EN179:2008
Security requirement	Grade 2; the device remains in the locked position when a force of 1000 N is applied to the door	4.2.7 of EN179:2008
Durability of ability to release (for locked doors on escape routes)		
Corrosion resistance	Grade 4; very high resistance (240 h)	4.2.9 of EN179:2008
Temperature range	Operating forces compliant between -10°C and +60°C	4.1.9 of EN179:2008
Lubrication	not needed	4.1.26 of EN179:2008
Re-engagement force	<=50N	4.2.3 of EN179:2008
Durability	Grade 7; 200.000 test cycles	4.2.4 of EN179:2008
Abuse resistance - operating element	N/A	4.2.6 of EN179:2008
Final examination	At the end of the program the emergency exit device is still operable and meets the requirements of 4.2.2 and 4.1.21	4.2.8 of EN179:2008
Selfclosing ability C (for fire/smoke doors on escape routes)	N/A	4.2.3 of EN179:2008
Durability of selfclosing ability C against aging and degradation (for fire/smoke doors on escape routes)	N/A	4.2.3 and 4.2.4 of EN179:2008
Resistance to fire E (integrity) and I(insulation)	N/A	4.1.10 and annex B of EN179:2008
Control of dangerous substances	The materials in this product do not contain or release any dangerous substances in excess of the max. levels specified in existing European material standards or any national regulations	4.1.29 of EN179:2008

9. The performance of the product identified in points 1 and 2 is in conformity with the declared performance in point 8
The declaration of performance is issued under the sole responsibility of LOCINOX

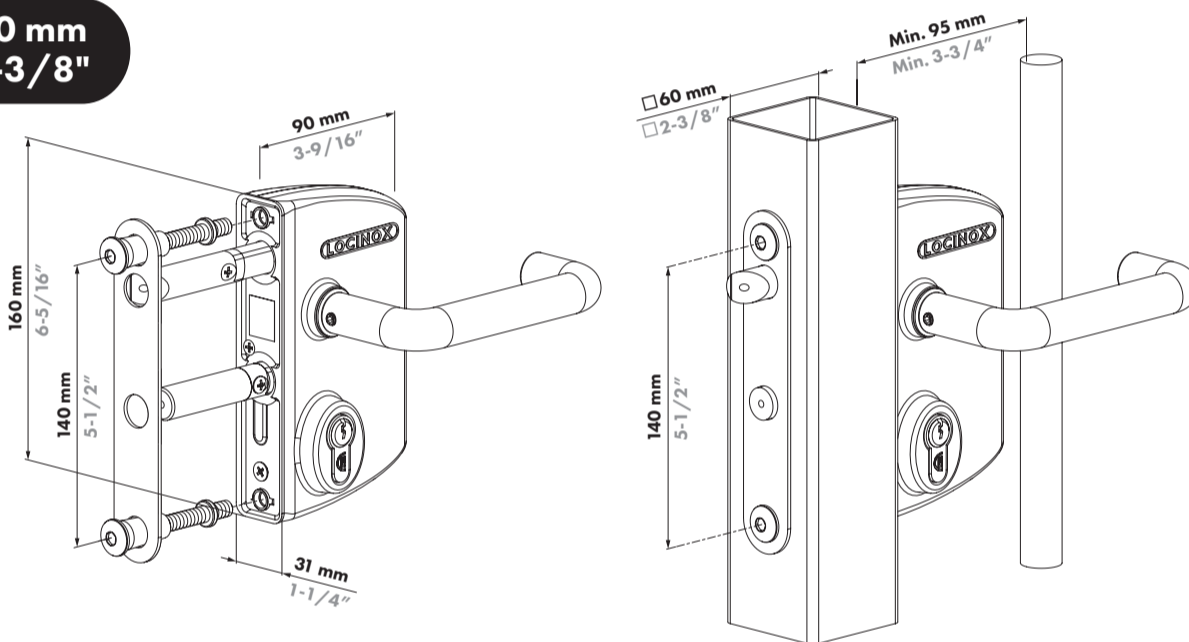
Waregem, 18/03/2020

Mik Emmerechts, CEO

1 40 mm
1-9/16"



1 60 mm
2-3/8"



? LOCINOX HQ

LIVE CHAT
www.locinox.com
+32 56 77 27 66
help@locinox.com
www.locinox.com/lpkqu2

? LOCINOX USA

LIVE CHAT
www.locinoxusa.com
877-LOCINOX
helpusa@locinox.com
www.locinoxusa.com/lpkqu2

2 Dispositivos para salidas de emergencia según la norma **EN 179:2008**

Se han aprobado las siguientes configuraciones para su instalación en la puerta de salidas de emergencia conforme a EN 179:2008

DIMENSIONES DEL PERFIL DE PUERTA	CERRADURAS
40 mm	LPKQ4040
60 mm	LPKQ6060

CILINDRO	MANILLA	CERRADERO
3012-54-STD	3006A-2	SAKLQF

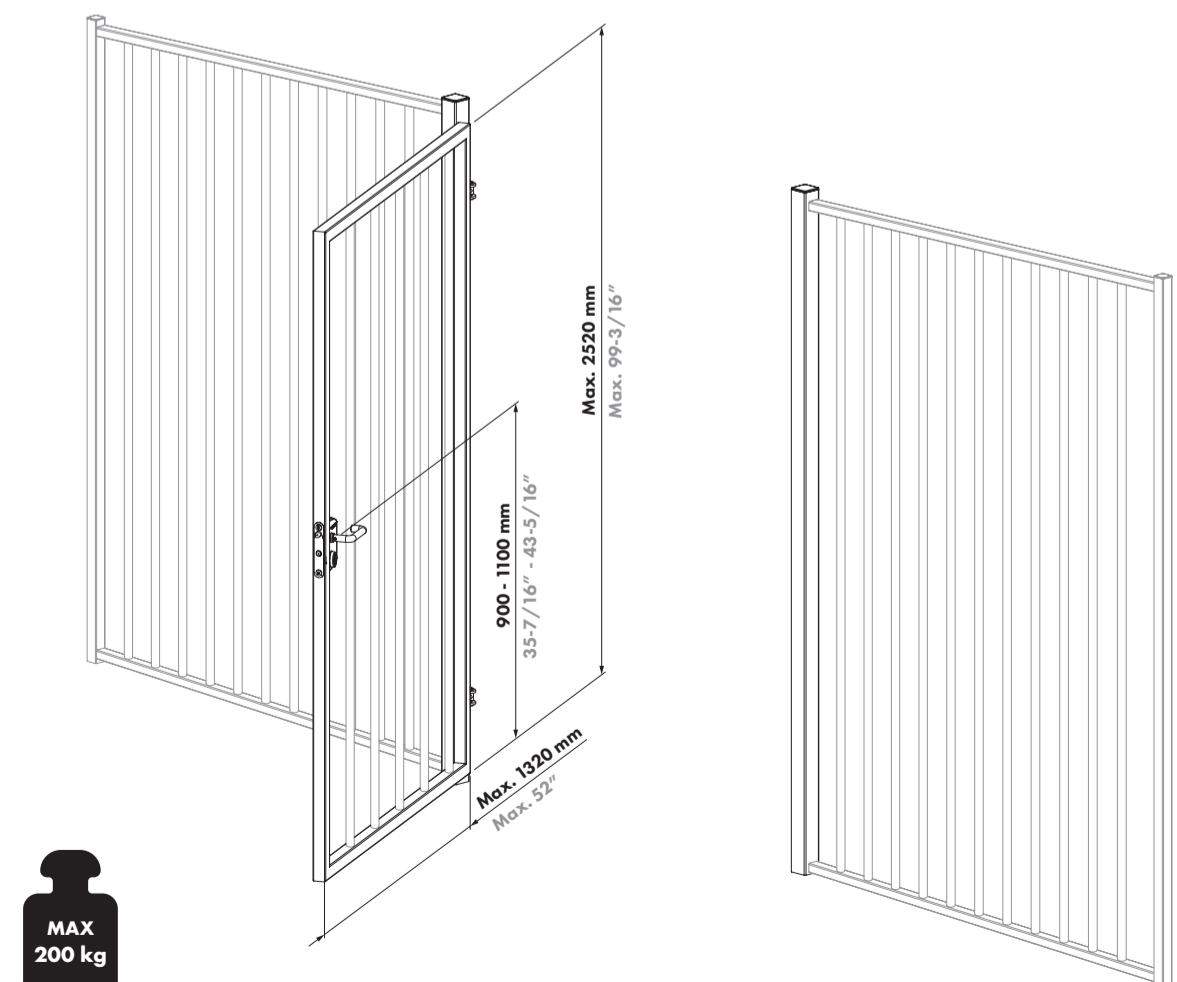
Las características de seguridad de este producto son fundamentales para su conformidad con EN 179:2008. No se permite ningún tipo de modificación salvo las descritas en estas instrucciones.

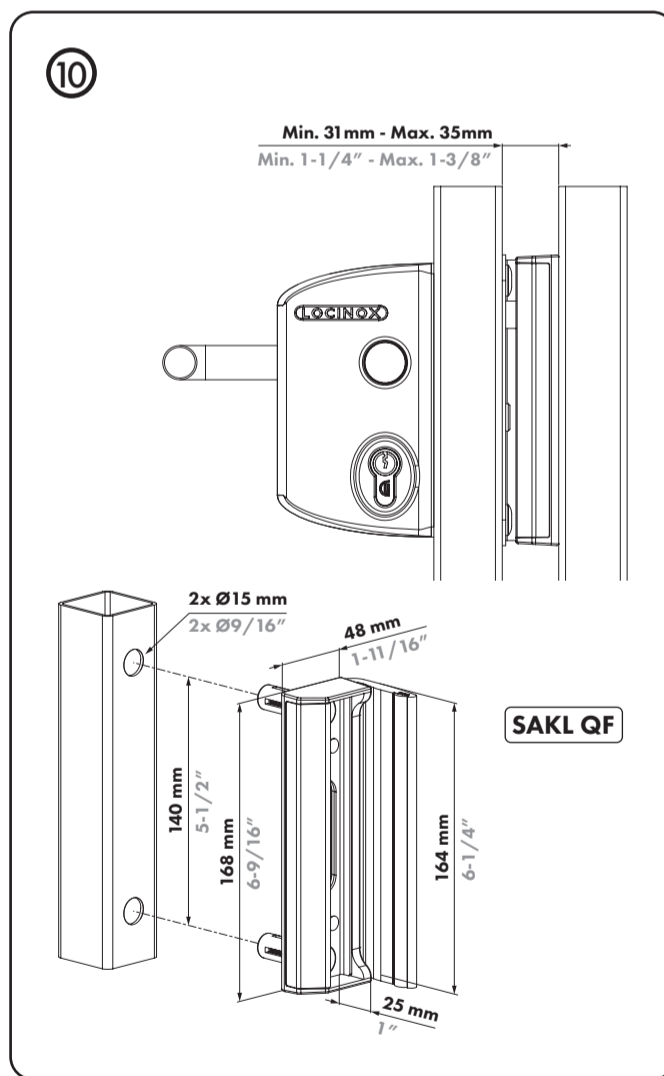
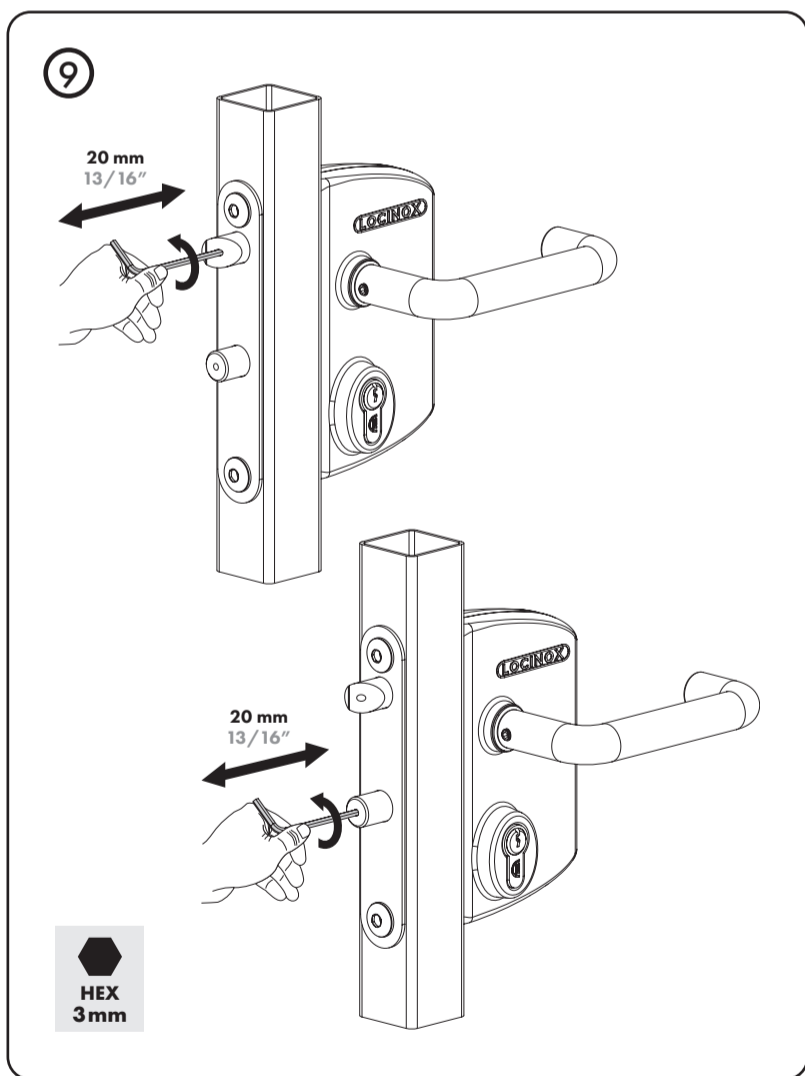
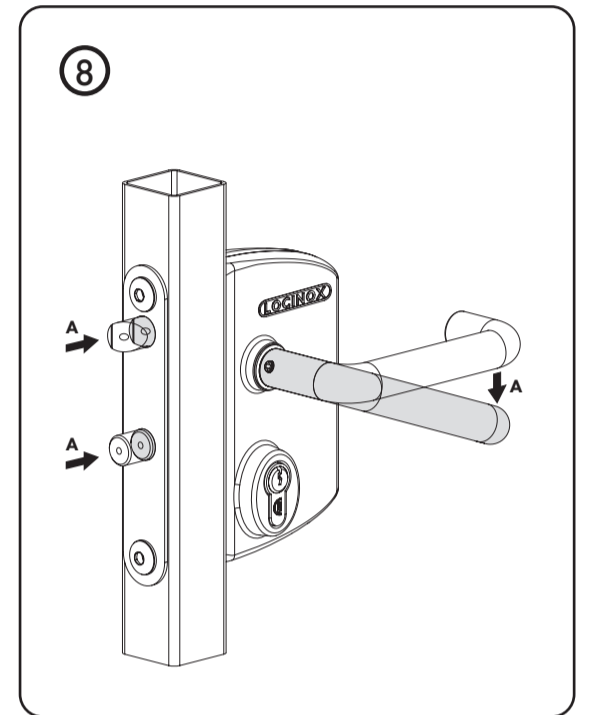
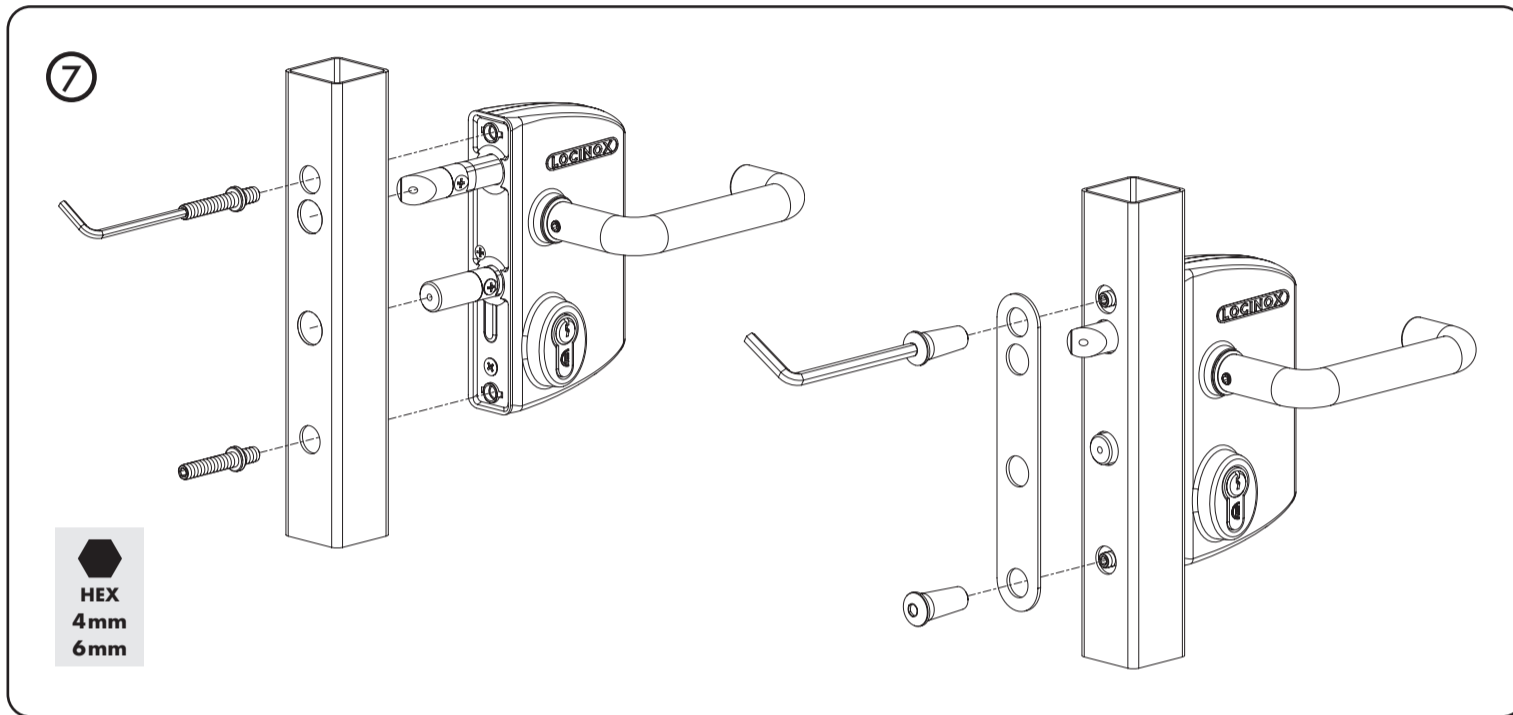
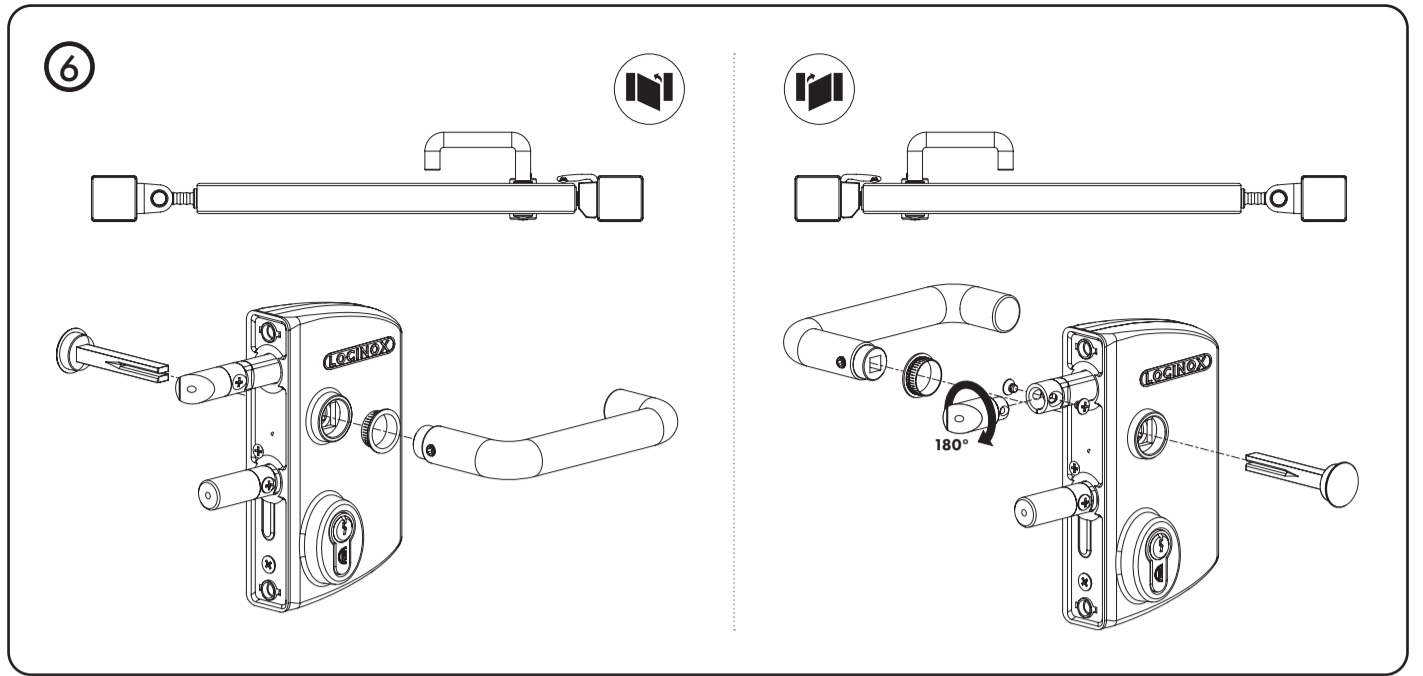
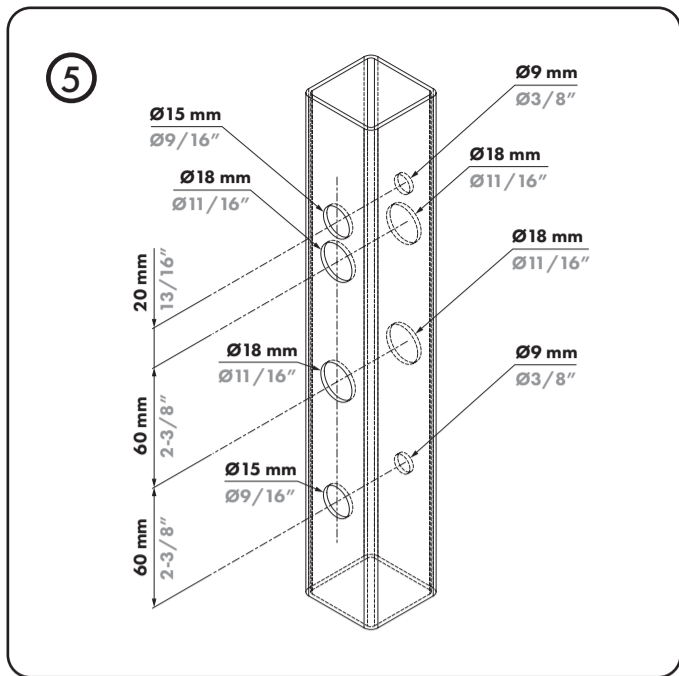
3 Clasificación según **EN179:2008**

37601422AB

- 3** Categoría de uso: alta frecuencia de uso donde existe poco interés por tener cuidado
- 7** Durabilidad – Grado 7: 200.000 ciclos de prueba
- 6** Masa de la puerta – Grado 6: hasta 200 kg
- 0** Apto para uso en conjunto de puertas antihumo – Grado 0: no homologadas para uso en puertas cortafuego/antihumo
- 1** Seguridad – Grado 1: todos los dispositivos de salidas de emergencia cumplen una función de seguridad crítica; por tanto, se ha determinado únicamente el grado máximo a los efectos de esta norma europea
- 4** Resistencia a la corrosión – Grado 4: resistencia muy alta (240 h)
- 2** seguridad – Grado 2: 1000 N
- 2** Proyección del elemento funcional – Grado 2: hasta 100 mm
- A** Tipo de funcionamiento – Tipo A: dispositivo de salida de emergencia con accionamiento de manilla
- B** Uso previsto – Tipo B: puerta única de apertura hacia fuera

4 Masa y dimensiones de la puerta





CE 20

Locinox NV
Mannebeekstraat 21
8790 Waregem
Belgium

Locinox LLC
460 Windy Point Drive
Glendale Heights - IL 60139
USA

**Cerradura de puerta
antipánico de sobreponer**
LPKQ40* A2 + Cerradero SF
LPKQ60* A2 + Cerradero SF

EN 179:2008
37601422AB

NB-Nr. 0960
0960-CPR-SKGIKOB.011818.01.ENG

SMILEY FACE

pictures@locinox.com

SUCCESSFUL
INSTALLATION?
Please send us
your pictures
& videos

SUCCESSFUL
INSTALLATION?
Stuur gerust uw
foto's &
video's door

INSTALLATION
RÉUSSITE?
Veuillez nous
envoyer vos
photos & vidéos

ERFOLGREICHE
INSTALLATION?
Bitte senden
Sie uns Ihre
Bilder & Videos

INSTALACION
EXITOSA?
Por favor
envíenos sus
fotos y videos

UDANA
INSTALACJA?
Prześlij nam
swoje
zdjęcia i filmy

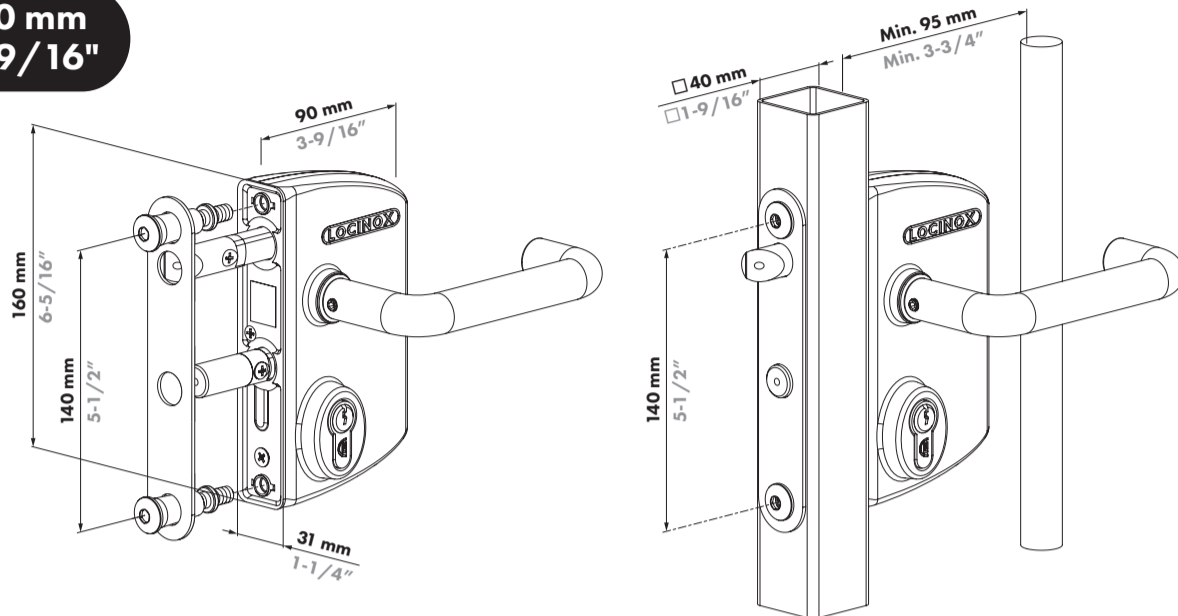
УСПЕШНАЯ
УСТАНОВКА?
Пожалуйста,
отправьте нам свой
фотографии и видео

LOCINOX
Let's make it better together

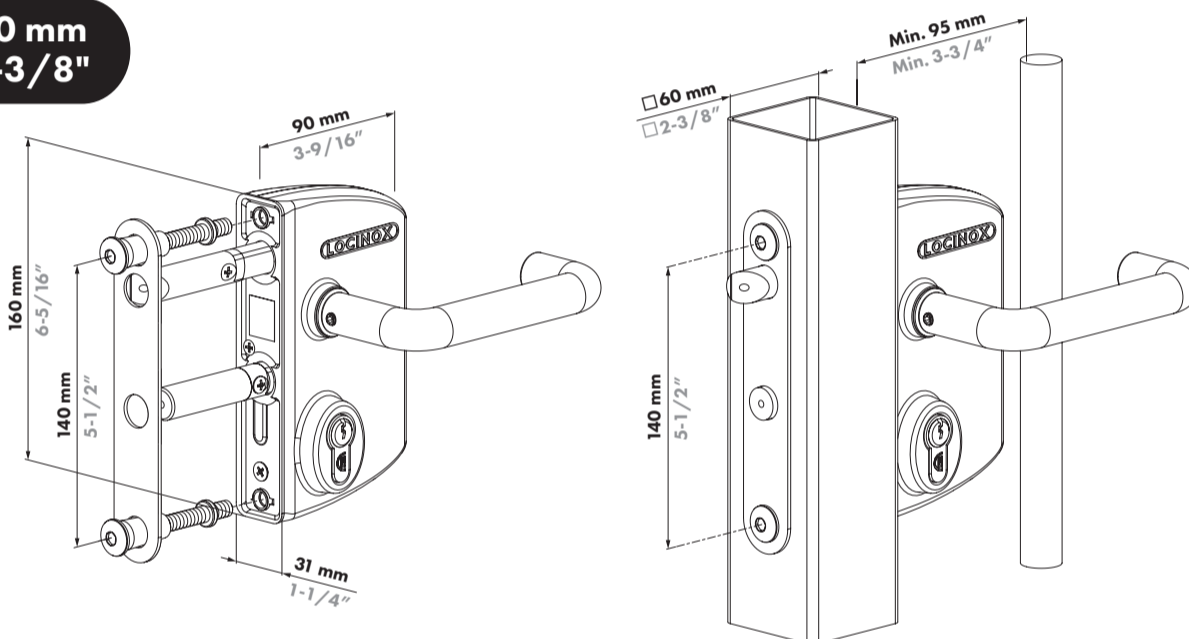
Doc. Nr.:
MANU-000228

M A N U - 0 0 0 2 2 8

**1 40 mm
1-9/16"**



**1 60 mm
2-3/8"**



? LOCINOX HQ

LIVE CHAT
www.locinox.com
+32 56 77 27 66
help@locinox.com
www.locinox.com/lpkqu2

? LOCINOX USA

LIVE CHAT
www.locinoxusa.com
877-LOCINOX
helpusa@locinox.com
www.locinoxusa.com/lpkqu2

**2 Urządzenia ewakuacyjne
zgodnie z EN 179:2008**

Zatwierdzono następujące konfiguracje do zainstalowania w bramce ewakuacyjnej zgodnie z EN 179:2008

WYMIARY PROFILU BRAMKI	ZAMKI
40 mm	LPKQ4040
60 mm	LPKQ6060

CYLINDER	KLAMKA	ZACZEP
3012-54-STD	3006A-2	SAKLQF

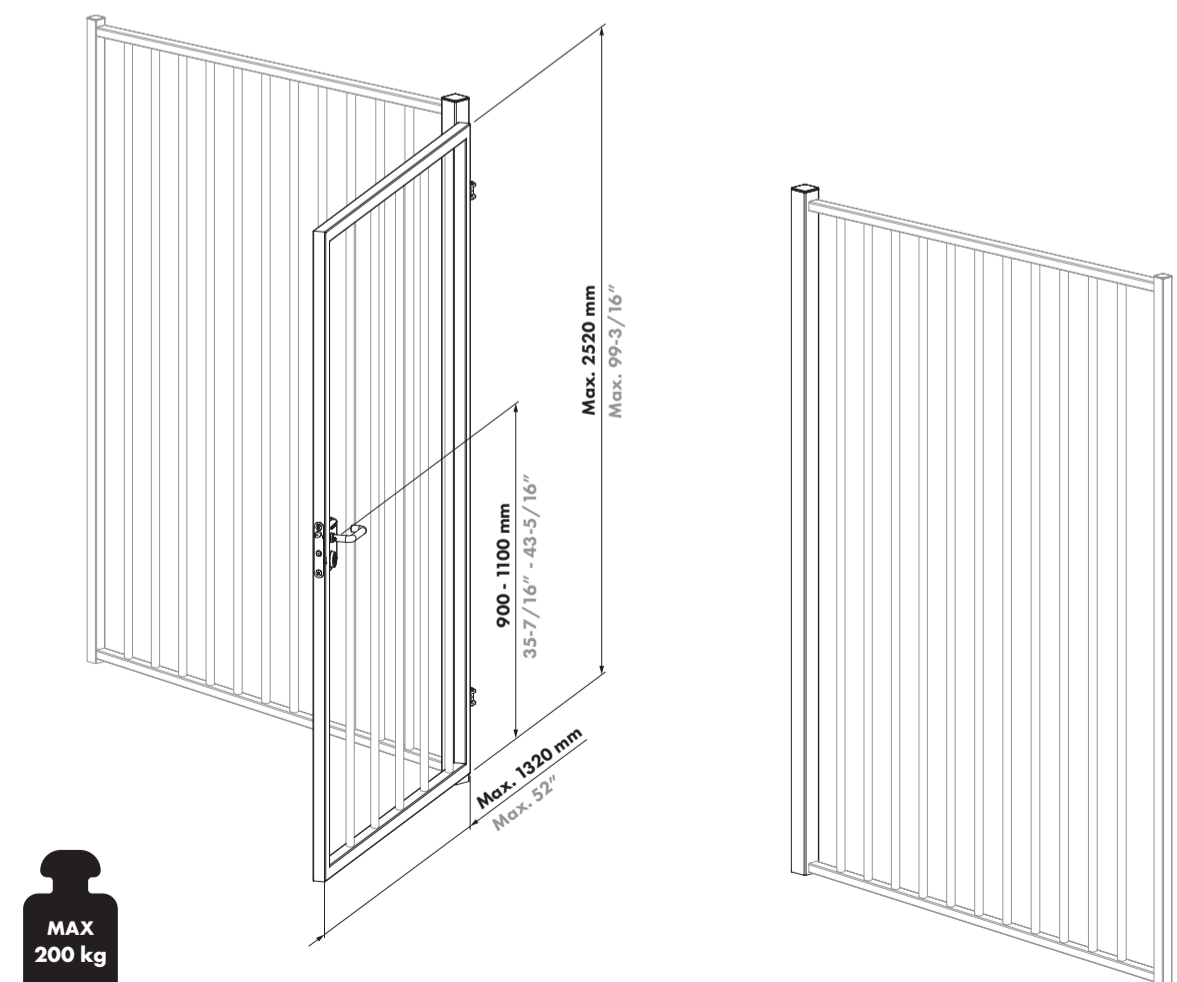
Funkcje bezpieczeństwa tego produktu mają zasadnicze znaczenie dla jego zgodności z normą EN 179: 2008. Wszystkie modyfikacje innego rodzaju niż opisane w niniejszej instrukcji są niedozwolone.

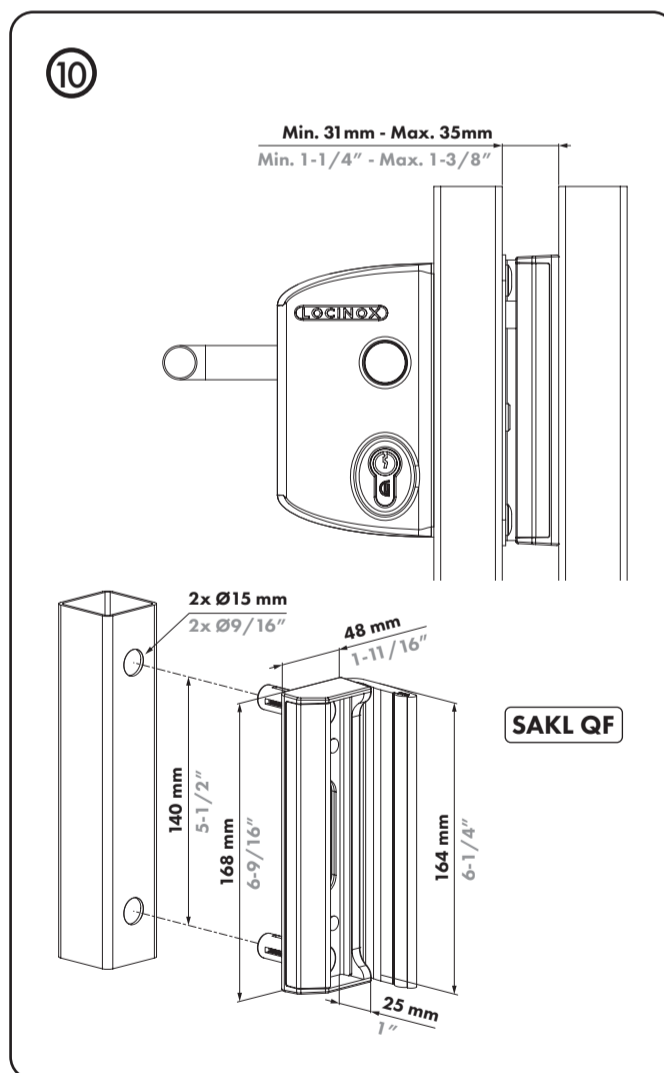
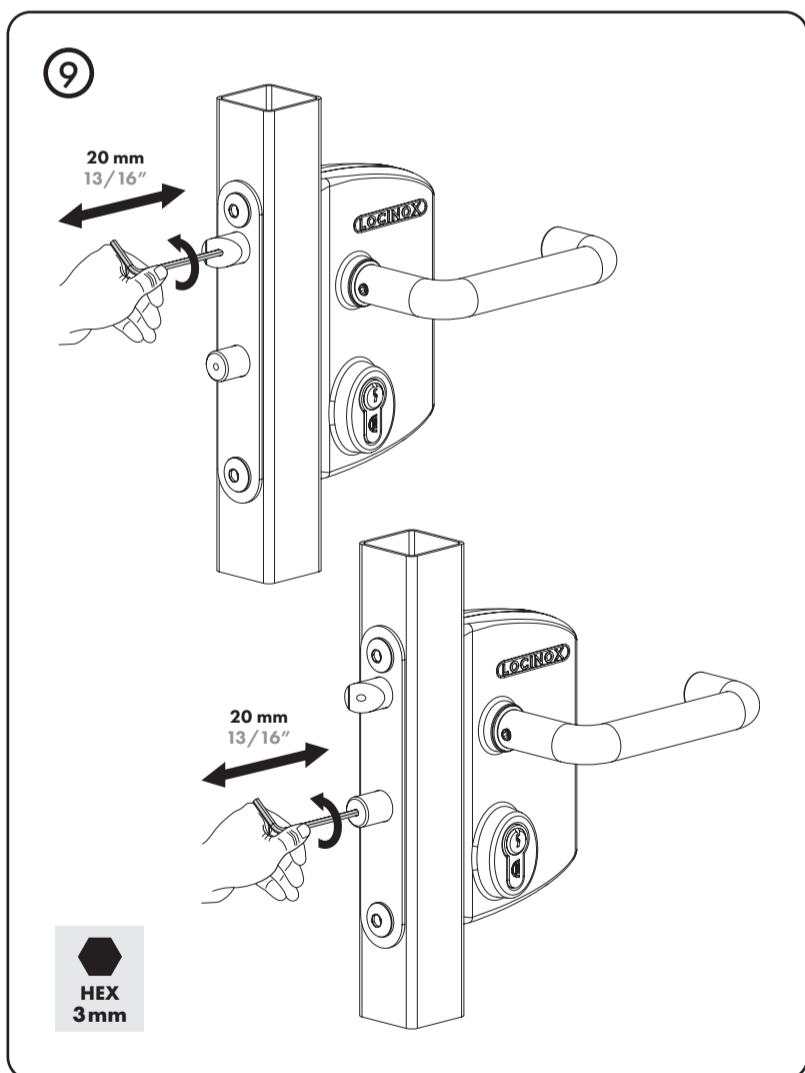
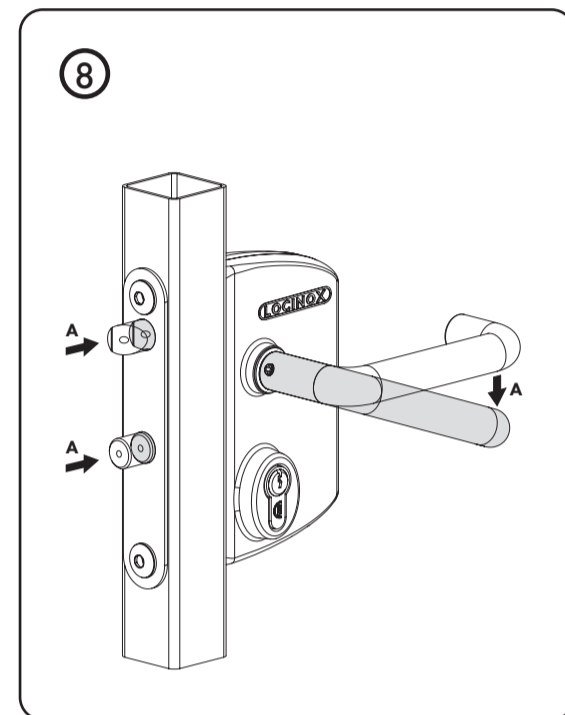
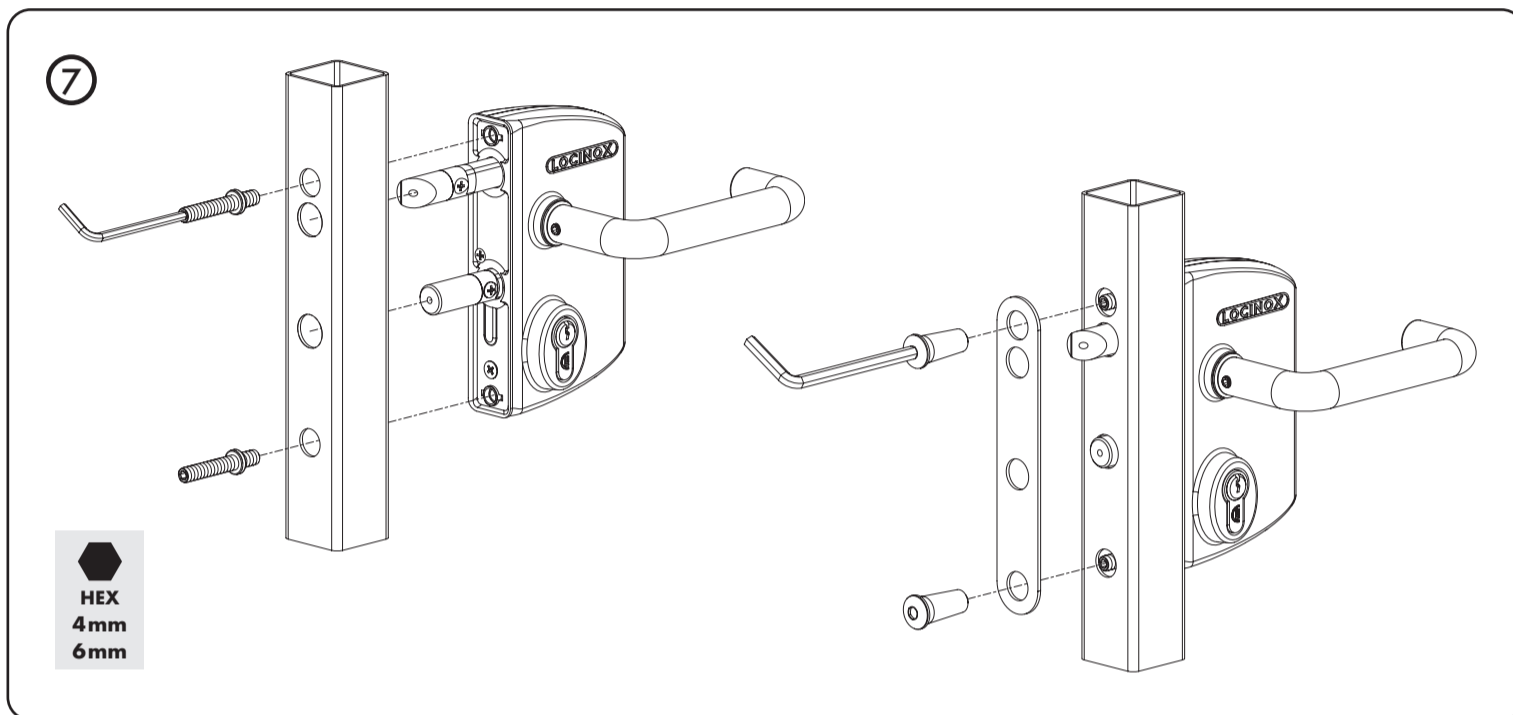
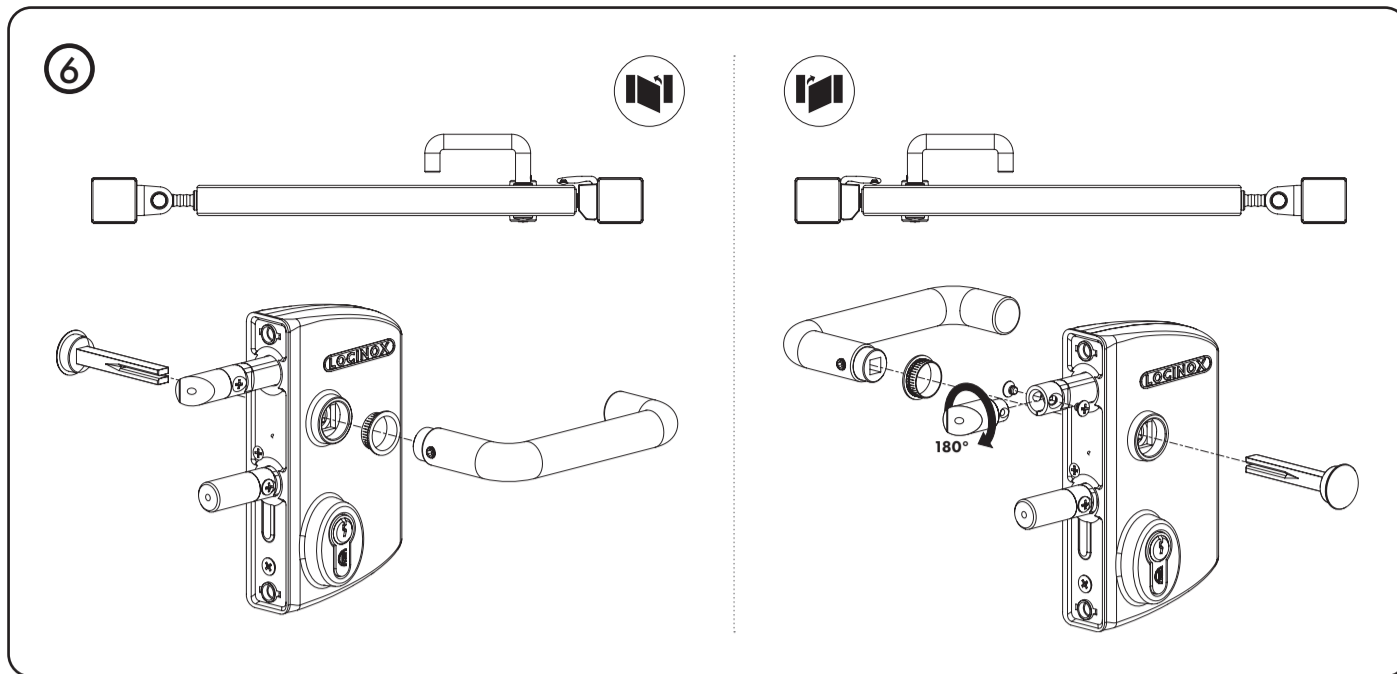
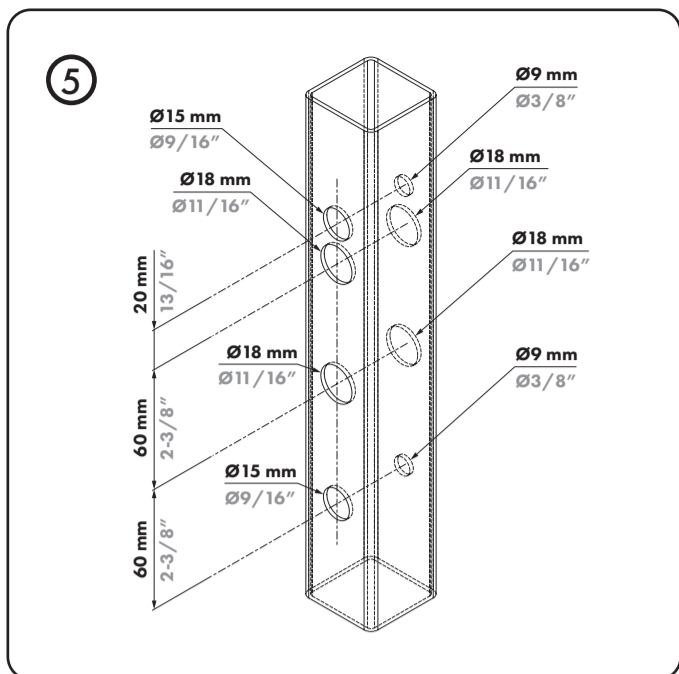
3 Klasyfikacja zgodnie z EN179:2008


37601422AB

- 3** **Kategoria zastosowania** - Wysoka częstotliwość używania, gdyż zachęta do wykorzystywania jest niewielka
- 7** **Trwałość** - klasa 7: 200 000 cykli testowych
- 6** **Masa drzwi** - klasa 6: do 200 kg
- 0** **Nadaje się do stosowania w drzwiach przeciwpożarowych** - Klasa 0: niedopuszczony do stosowania w drzwiach przeciwpożarowych/dymnych
- 1** **Bezpieczeństwo** - klasa 1: wszystkie urządzenia wyjścia awaryjnego mają krytyczną funkcję bezpieczeństwa, dlatego dla celów niniejszej Normy Europejskiej zidentyfikowano tylko najwyższy stopień Europejskich standardów
- 4** **Odporność na korozję** - klasa 4: bardzo wysoka odporność (240 h)
- 2** **Bezpieczeństwo** - klasa obciążalności 2: 1000 N
- 2** **Skok elementu roboczego** - klasa 2: do 100 mm
- A** **Rodzaj operacji** - Typ A: urządzenie wyjścia awaryjnego z obsługą poprzez klamkę
- B** **Zastosowanie zgodne z przeznaczeniem** - Typ B: pojedyncze drzwi otwierane na zewnątrz

4 Masa drzwi i wymiary drzwi








Locinox NV
 Mannebeekstraat 21
 8790 Waregem
 Belgium

Locinox LLC
 460 Windy Point Drive
 Glendale Heights - IL 60139
 USA

**Zamek antypaniczny
 montowany nawierzchniowo**
 LPKQ40*A2 + zaczep SF
 LPKQ60*A2 + zaczep SF

EN 179:2008
 37601422AB

NB-Nr. 0960
 0960-CPR-SKGIKOB.011818.01.ENG



**SUCCESSFUL
 INSTALLATION?**
 Please send us
 your pictures
 & videos

**SUCCESSFUL
 INSTALLATION?**
 Stuur gerust uw
 foto's &
 video's door

**INSTALLATION
 RÉUSSITE?**
 Veuillez nous
 envoyer vos
 photos & vidéos


**ERFOLGREICHE
 INSTALLATION?**
 Bitte senden
 Sie uns Ihre
 Bilder & Videos

**INSTALACION
 EXITOSA?**
 Por favor
 envíenos sus
 fotos y videos

**UDANA
 INSTALACJA?**
 Prześlij nam
 swoje
 zdjęcia i filmy

**УСПЕШНАЯ
 УСТАНОВКА?**
 Пожалуйста,
 отправьте нам свой
 фотографии и видео

pictures@locinox.com



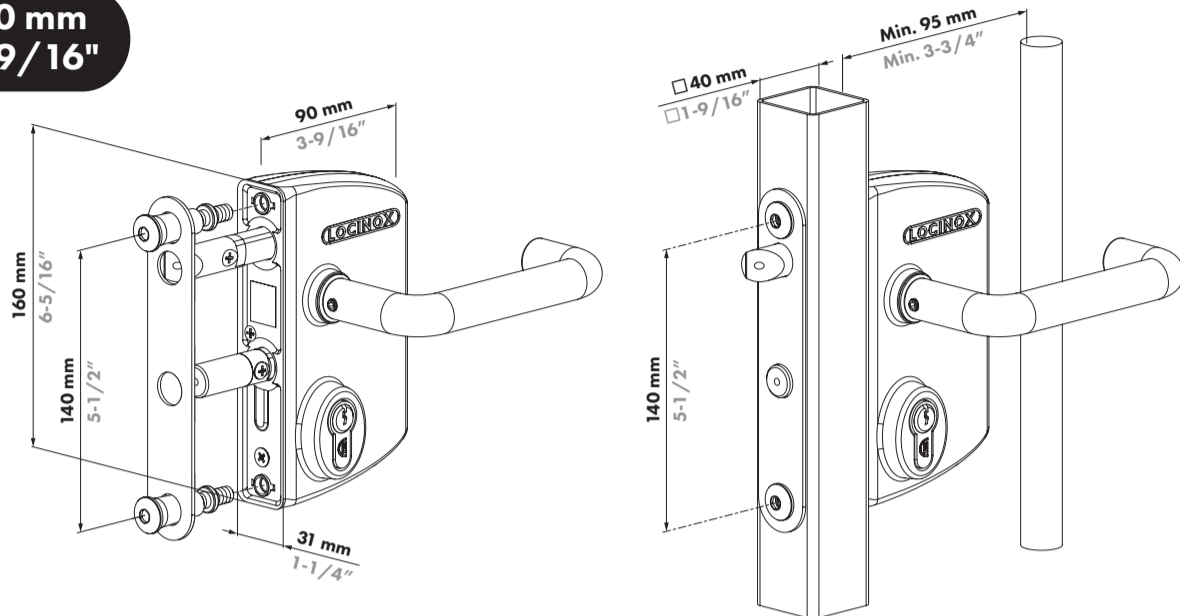
Let's make it better together

Doc. Nr.:
MANU-000228

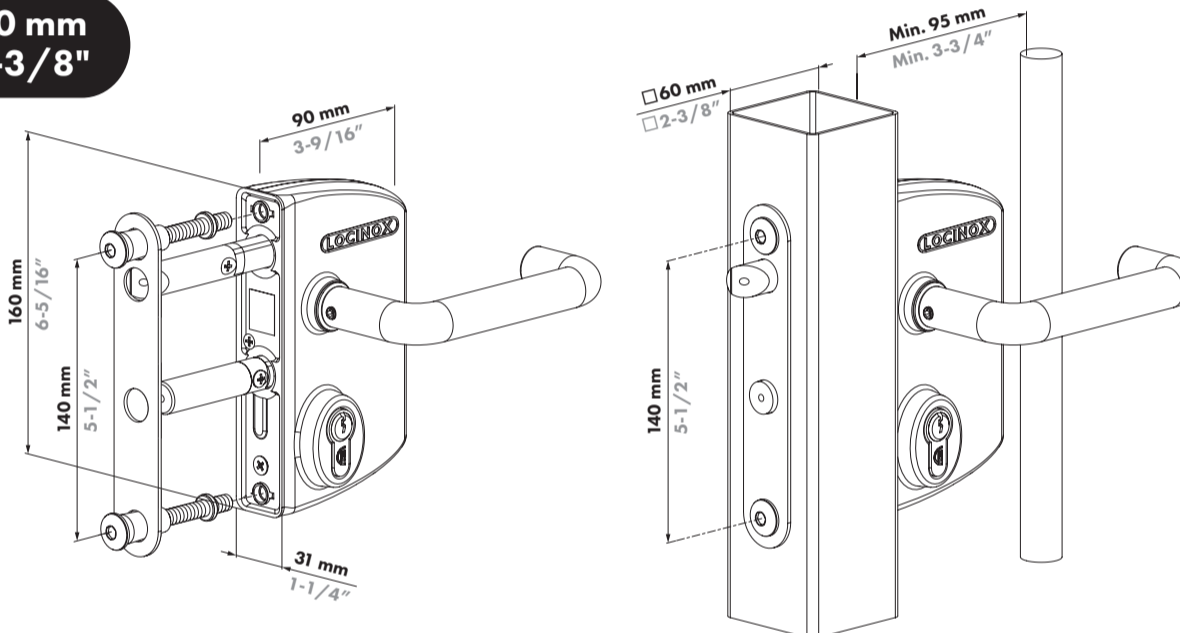


M A N U - 0 0 0 2 2 8

**1 40 mm
1-9/16"**



**1 60 mm
2-3/8"**



? LOCINOX HQ

LIVE CHAT
www.locinox.com
+32 56 77 27 66
help@locinox.com
www.locinox.com/lpkqu2

? LOCINOX USA

LIVE CHAT
www.locinoxusa.com
877-LOCINOX
helpusa@locinox.com
www.locinoxusa.com/lpkqu2

2 Устройства для аварийного выхода согласно требованиям EN 179:2008

Следующие конфигурации одобрены для установки на калитках и воротах аварийного выхода в соответствии с требованиями EN 179:2008

РАЗМЕРЫ КАЛИТОЧНОГО ПРОФИЛЯ	ЗАМКИ
40 mm	LPKQ4040
60 mm	LPKQ6060

ЛИЧИНКА	РУЧКА	ОТВЕТНАЯ ПЛАНКА
3012-54-STD	3006A-2	SAKLQF

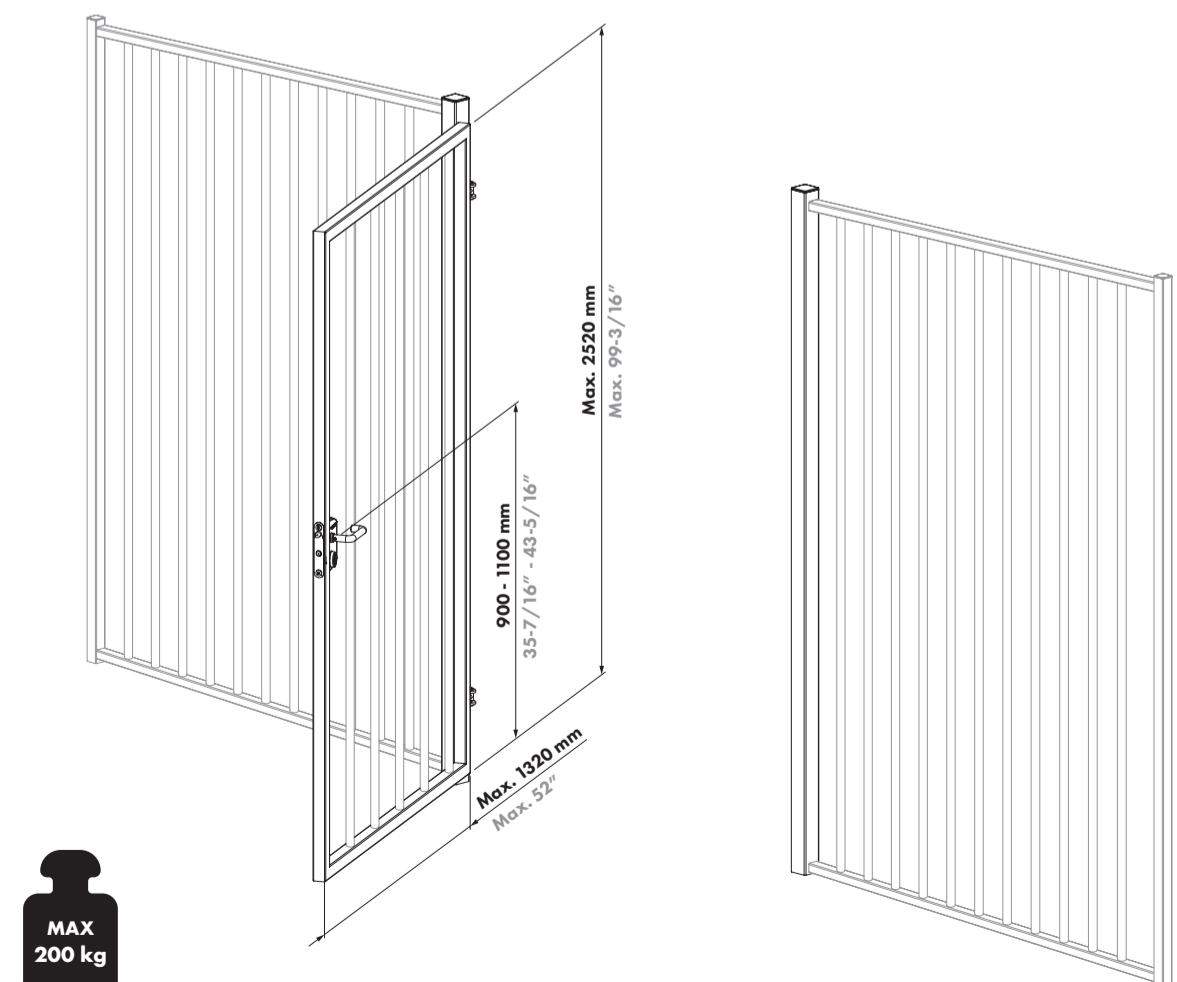
Для соответствия требованиям EN 179:2008, очень важны функции безопасности этого изделия

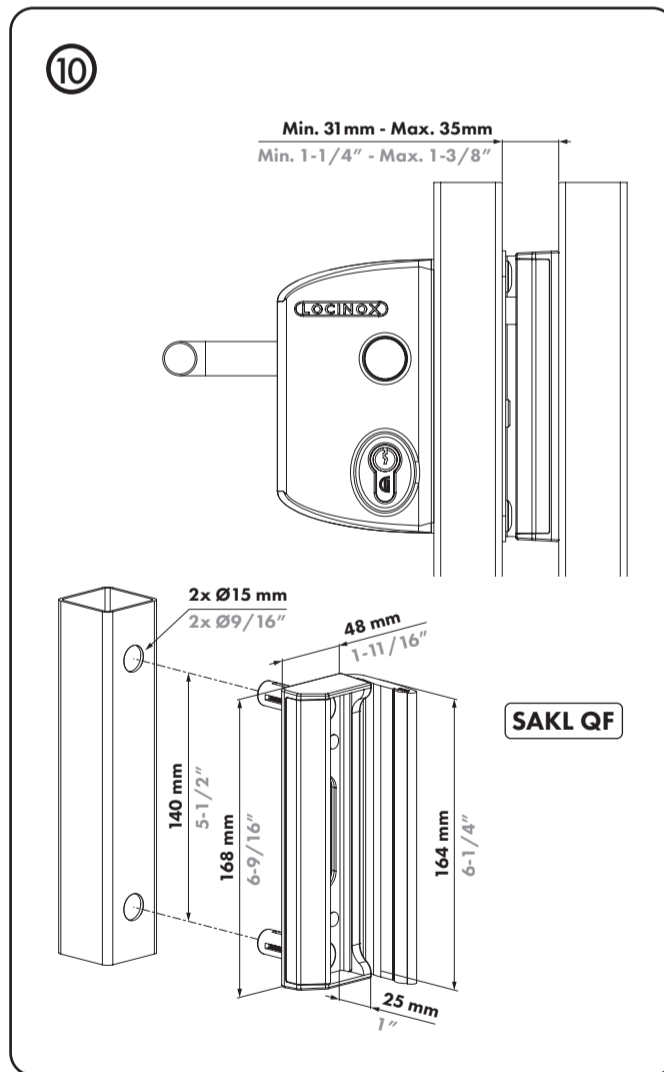
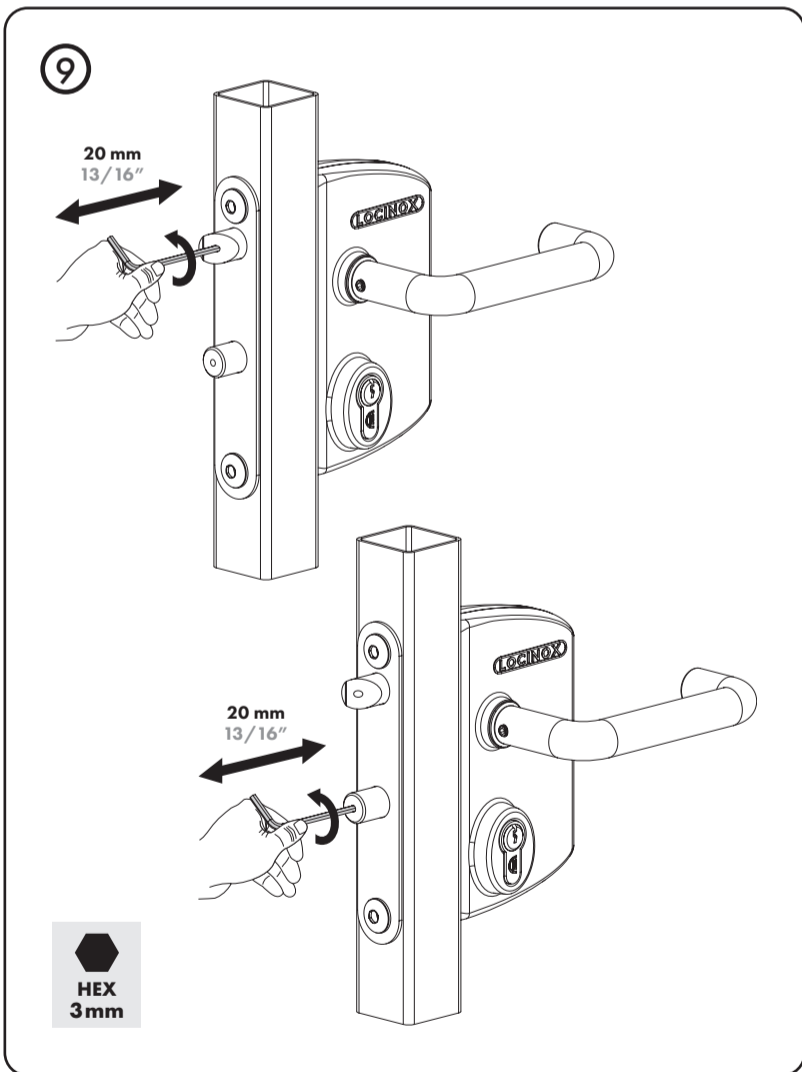
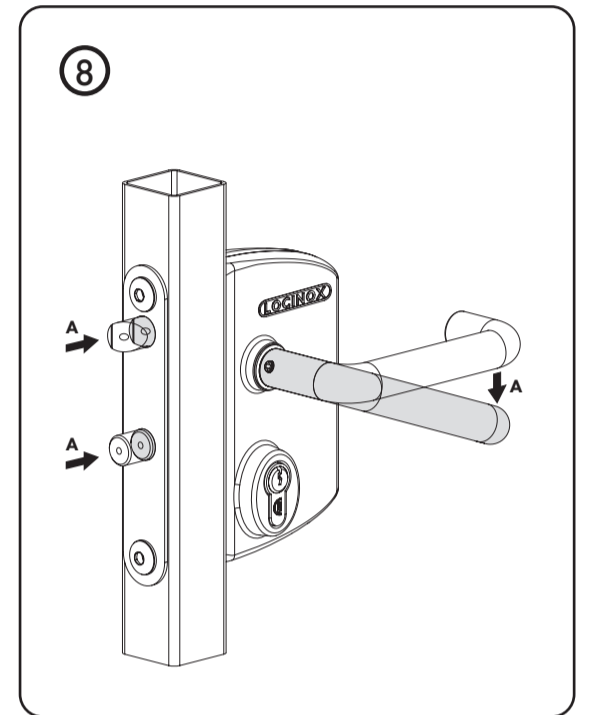
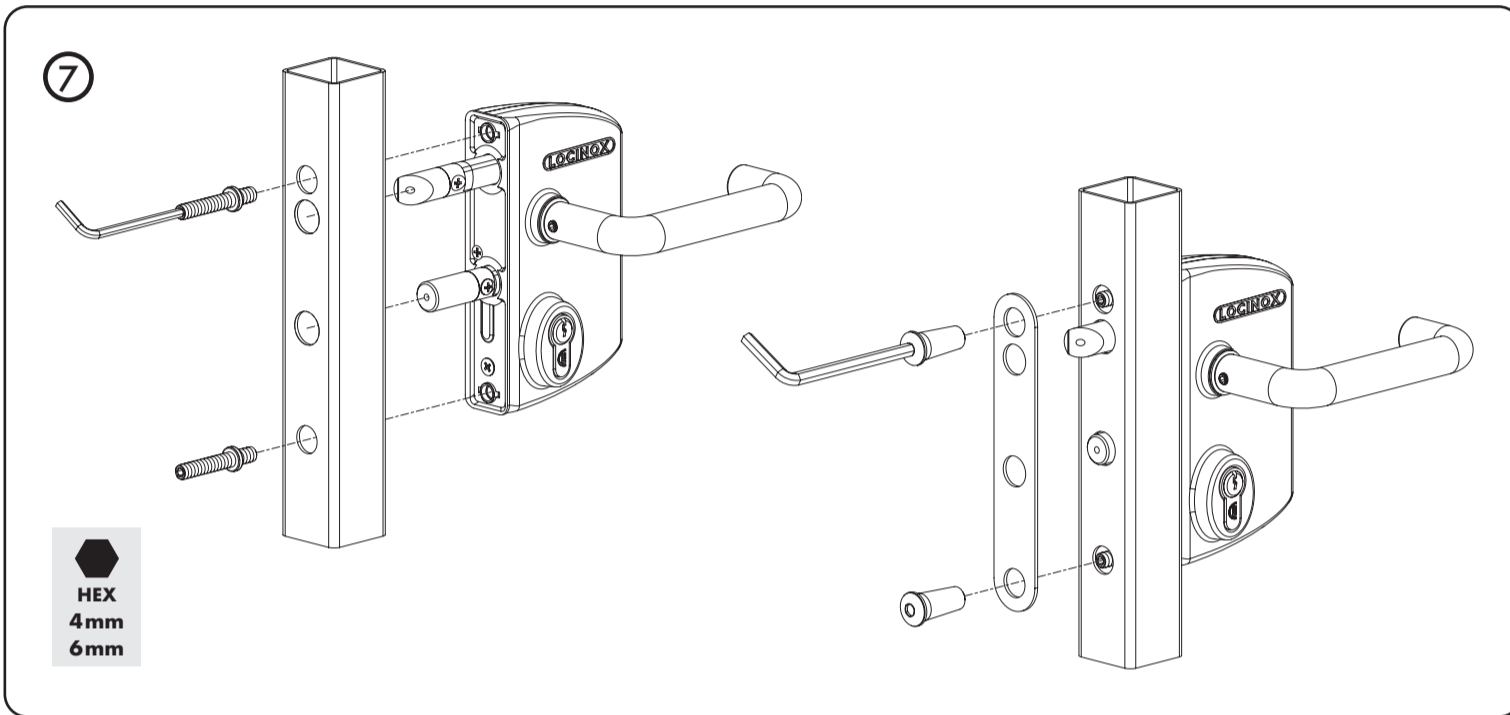
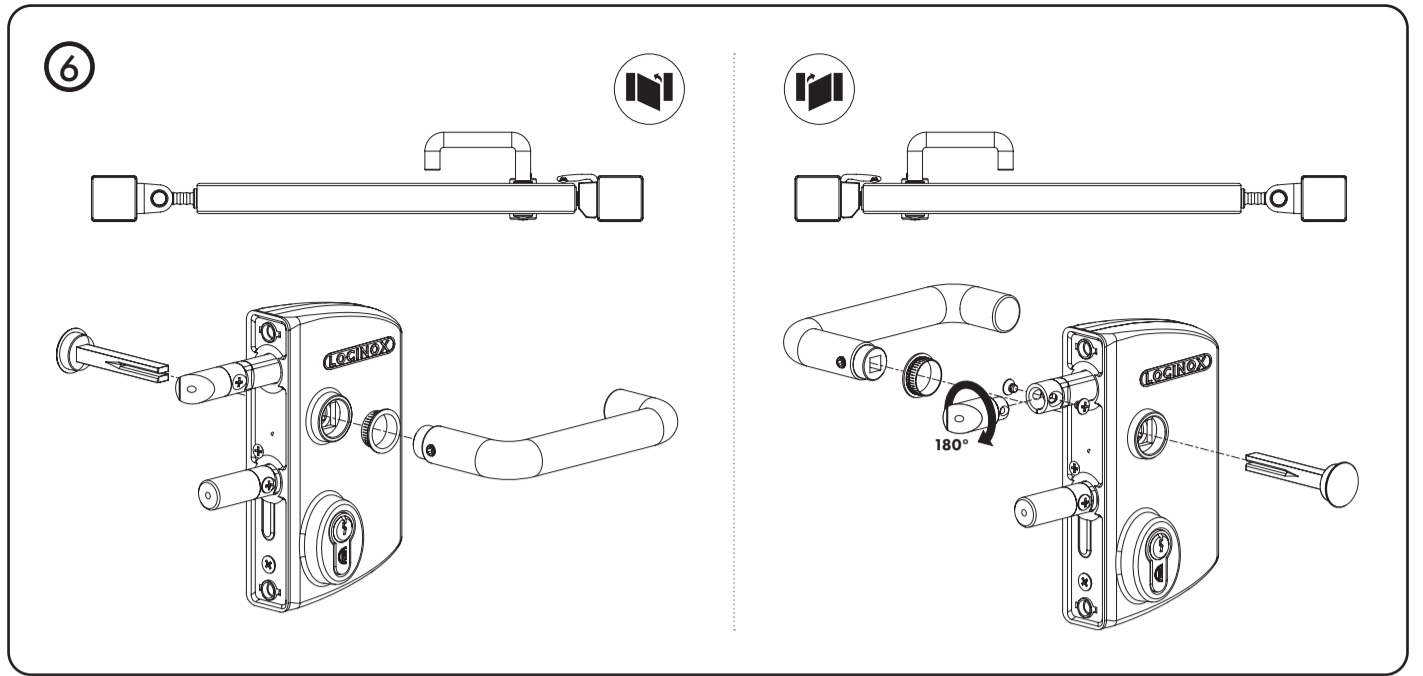
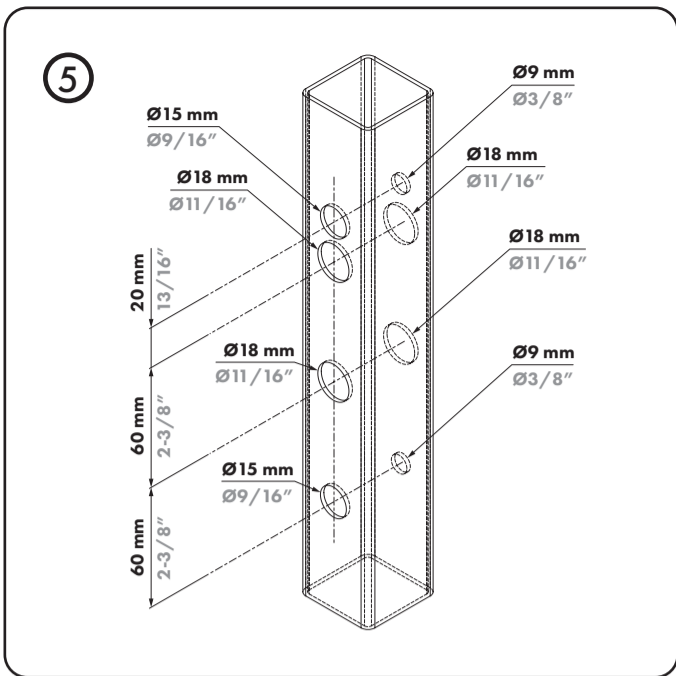
3 Классификация согласно EN179:2008

37601422AB

- 3 Категория использования** – Частое использования в местах с низким уровнем проявления осторожности
- 7 Срок службы** – Степень 7: 200 000 циклов испытаний
- 6 Вес двери** – Степень 6: до 200 кг.
- 0 Пригодность для использования в качестве составляющих противоподымных дверей** – Степень 0: не одобрено для использования на противопожарных / противоподымных дверях
- 1 Безопасность** – Степень 1: все устройства аварийного выхода имеют критическую функцию безопасности, поэтому с целью соответствия данного Европейского Стандарта устанавливается только наивысшая степень
- 4 Коррозионная стойкость** – Степень 4: очень высокий уровень стойкости (240 часов)
- 2 Защищенность** – Степень 2: 1000 Н
- 2 Защита открывающего элемента** – Степень 2: до 100 мм.
- A Тип функционирования** – Тип A: устройство аварийного выхода с активной ручкой
- B Использование по назначению** – Тип B: одностворчатая дверь с открыванием наружу

4 Вес и размер двери





Locinox NV
 Mannebeekstraat 21
 8790 Waregem
 Belgium
 Locinox LLC
 460 Windy Point Drive
 Glendale Heights - IL 60139
 USA
**Накладной замок для калитки
 с функцией «антипаника»**
 LPKQ40*A2 + планка SF
 LPKQ60*A2 + планка SF
EN 179:2008
 37601422AB
 NB-Nr. 0960
 0960-CPR-SKGIKOB.011818.01.ENG

pictures@locinox.com
 SUCCESSFUL INSTALLATION? Please send us your pictures & videos
 SUCCESVOLLE INSTALLATIE? Stuur gerust uw foto's & video's door
 INSTALLATION RÉUSSITE? Veuillez nous envoyer vos photos & vidéos
 ERFOLGREICHE INSTALLATION? Bitte senden Sie uns Ihre Bilder & Videos
 INSTALACION EXITOSA? Por favor envíenos sus fotos y videos
 UDANA INSTALACJA? Prześlij nam swoje zdjęcia i filmy
 УСПЕШНАЯ УСТАНОВКА? Пожалуйста, отправьте нам свои фотографии и видео

Let's make it better together
 Doc. Nr.: **MANU-000228**

 M A N U - 0 0 0 2 2 8