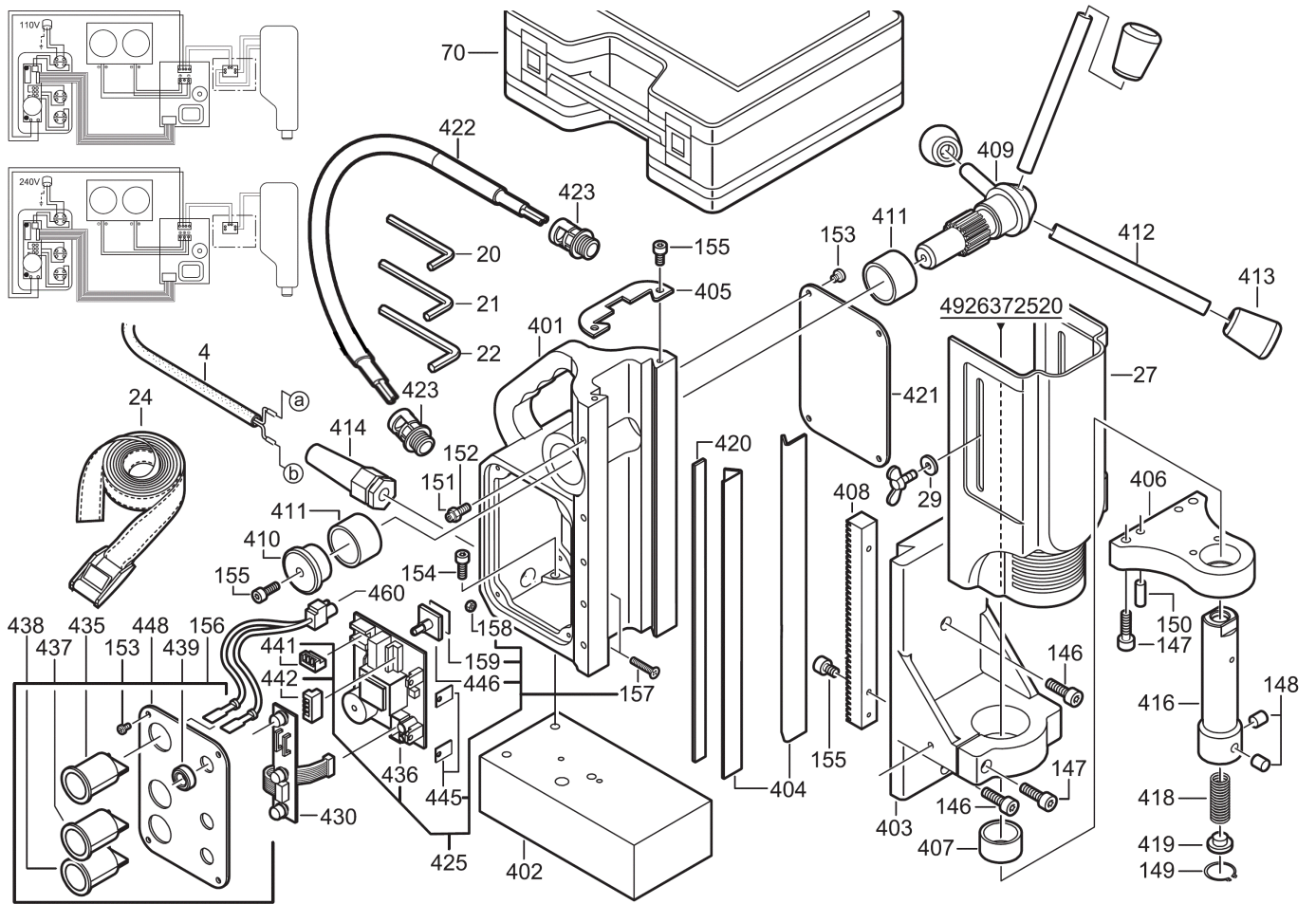


# MDE42 MAGNETIC STAND BASE IN2

4933380832 - MDE42 - 4000380833





Position	Quantity	Description	Part number	EAN
0004	1	CONNECTION CABLE	4931380049	4002395688586
0020	1	KEY D911 2,5MM	4931606714	4002395693733
0021	1	KEY D911 4	4931606738	4002395693740
0022	1	HEX WRENCH D 911 5 GAL	4931616056	4002395694501
0024	1	SAFETY STRAP	4931371780	4002395674701
0027	1	SAFTY GUARD	4931371784	4002395674732
0029	1	DISC N874232 6,5X15X1,5	5131000000	
0070	1	CARRYING CASE	4931371783	4002395674725
0146	2	SCREW	4931622928	4002395699735
0147	3	SCREW D 912 M 6X30 8.8	4931624082	4002395733033
0148	2	SCREW D 913 M8X8	4931622523	4002395698196
0149	1	RING	4931624083	4002395705474
0150	2	CYLINDER PIN	4931624086	4002395733194
0151	5	NUT D 985 M 5	4931618176	4002395694921
0152	5	SCREW D 913 M8X8	4931624084	4002395720880
0153	4	SCREW	4931380067	4002395733019
0154	3	SCREW	5131000000	
0155	4	SCREW D912 M6X16	4931607033	4002395693887
0156	1	SWITCH BOARD	4931380895	4002395715763
0157	2	SCREW D 912 M 6X30 8.8	4931624085	4002395705481
0158	2	NUT D 934 M 3 BR	4931613998	4002395694204
0159	1	DISTANCE HOLDER	5131000000	
0401	1	BODY	5131000000	
0402	1	MAGNETIC FOOT	4931380051	4002395688609
0403	1	FRAME	4931380052	4002395688616
0404	2	LEDGE	4931380053	4002395688623
0405	1	COVER PLATE	4931380054	4002395688630
0406	1	HOLDER	4931380055	4002395688647
0407	1	BEARING BRACKET	4931380056	4002395688654
0408	1	TOOTH RACK	4931380057	4002395688661
0409	1	FEED SPINDLE	4931380058	4002395688678
0410	1	END PIECE	4931380020	4002395688333
0411	2	BEARING BRACKET	4931380021	4002395688340
0412	3	LEVER	4931380059	4002395688685
0413	3	HANDLE	4931380060	4002395688692
0414	1	PROTECTING COVER	4931380026	4002395688388
0418	1	PRESSURE SPRING	4931380062	4002395688715
0419	1	THRUST PIECE	4931380063	4002395688722
0420	1	LEDGE	4931380064	4002395688739
0421	1	RATING PLATE	5131000000	
0422	1	CABLE SET	4931380065	4002395688746
0423	2	FITTING	4931416452	4002395847952
0425	1	PRINTED CIRC. BOARD	4931380872	4002395715312
0430	1	ELECTRONIC	4931380893	4002395715343
0435	1	SWITCH ON-OFF	4931380043	4002395688555
0436	1	PRINTED CIRC. BOARD	4931380876	4002395731329
0437	1	SWITCH MAGNETIC	4931380037	4002395688494
0438	1	SWITCH MOTOR	4931380038	4002395688500
0439	3	SEAL	4931380039	4002395688517
0441	1	PLUG	4931380041	4002395688531

<b>Position</b>	<b>Quantité</b>	<b>Désignation</b>	<b>Référence</b>	<b>EAN</b>
0442	1	PLUG	4931380042	4002395688548
0445	2	STICKER	4931380045	4002395688562
0446	2	SUPPORT	5131000000	
0448	1	FASTENING BOW	5131000000	
0460	1	CONNECTION CABLE	4931396235	4002395748518
	1	THREE JAW CHUCK Ch 1,5-131/2x20 P1M	4932267980	4002395300488
0416	1	ADAPTER SHANK Adapt 1/2x20-WLDNP1M	4932372781	4002395345694