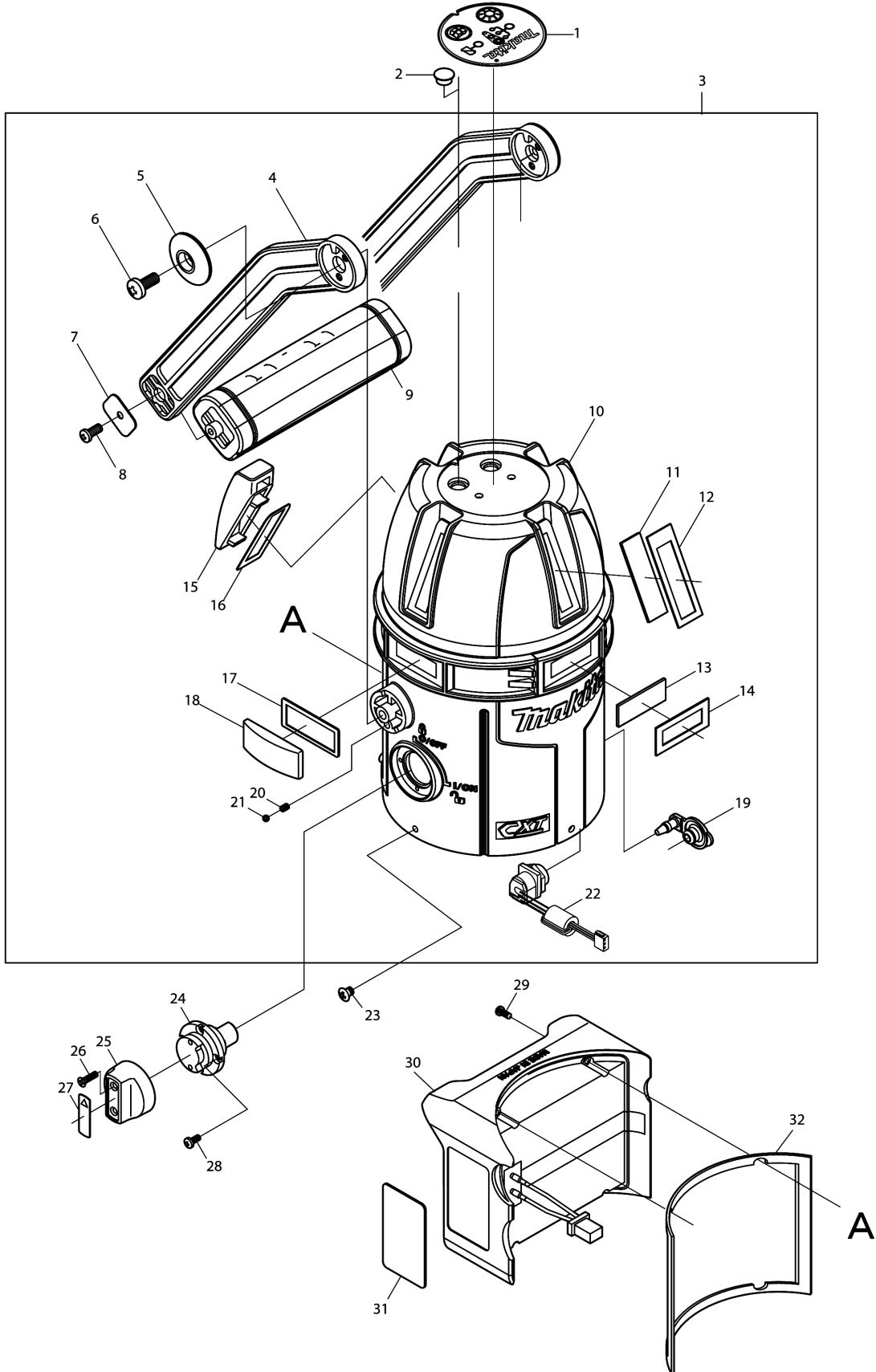
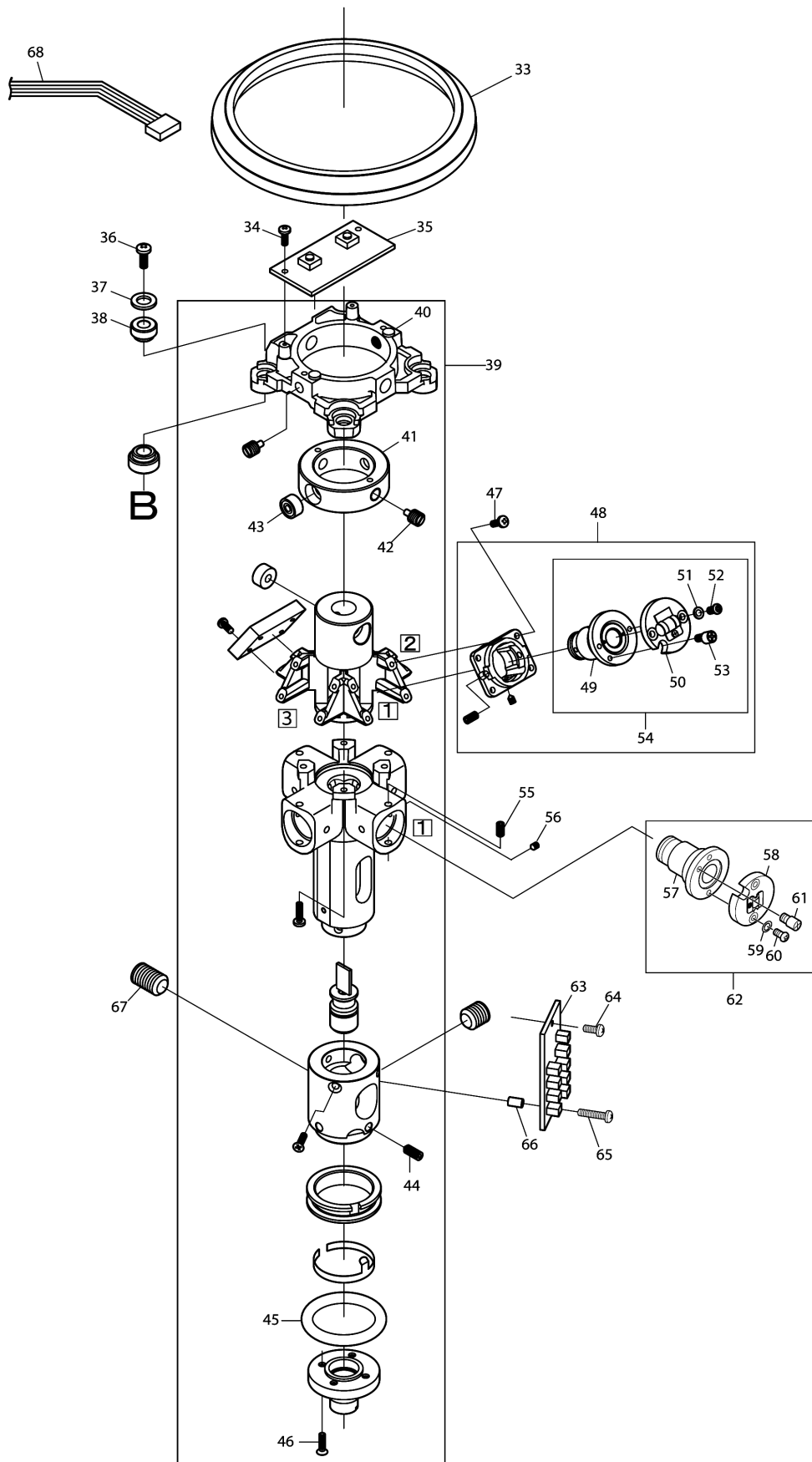


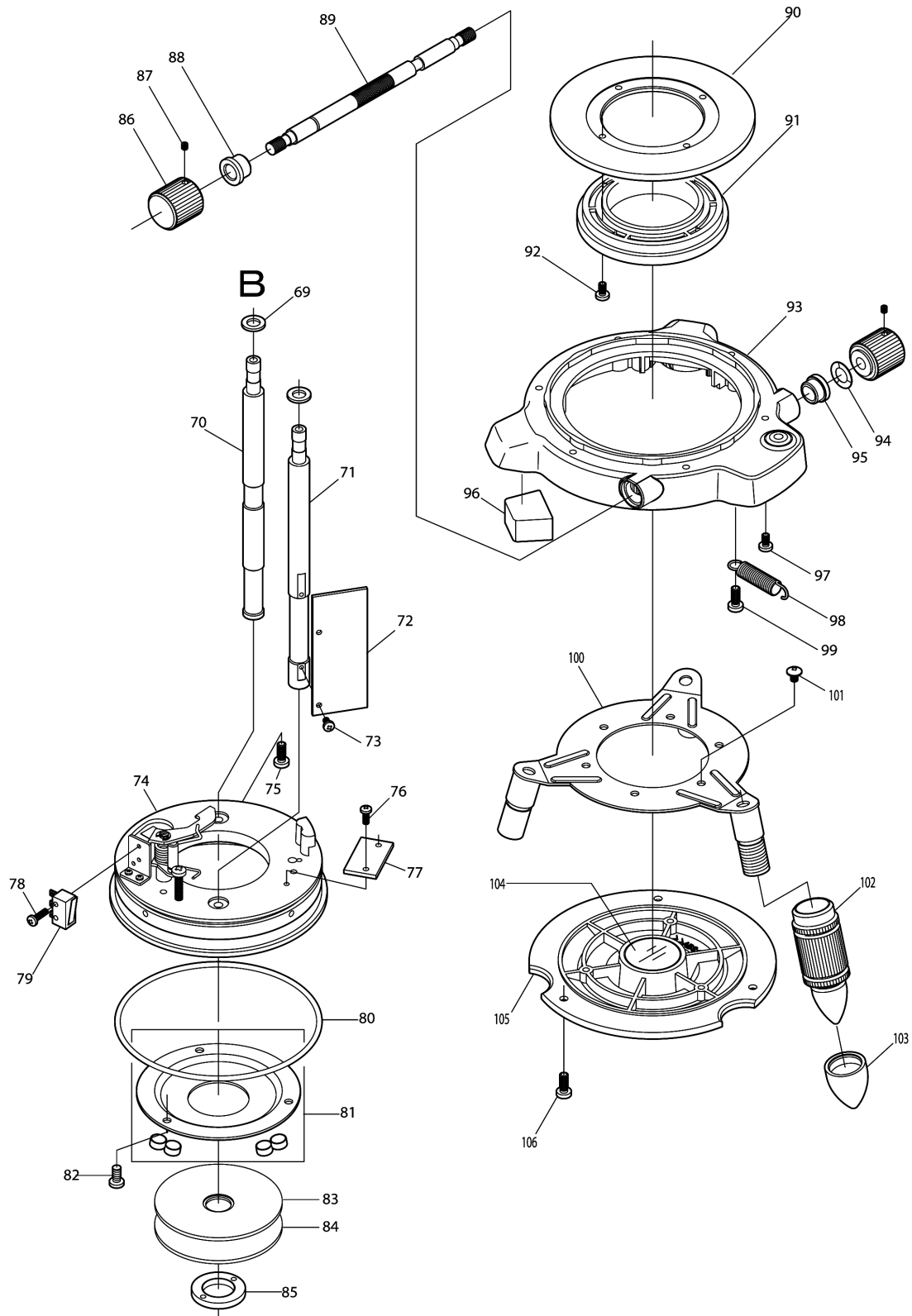
Model No.SK312GD GREEN MULTI LINE LASER



Model No.SK312GD GREEN MULTI LINE LASER



Model No.SK312GD GREEN MULTI LINE LASER



Model No.SK312GD GREEN MULTI LINE LASER

Item	Parts No.	Description	I/C	Qty	New/Old	Opt. 1	Opt. 2	Note
001	TK219UN101	SWITCH LABEL		1				
002	TK16010441	SWITCH BUTTON(4.1)		2				
002A_	TK16010443	SWITCH BUTTON(4.3)		2				
002B_	TK16010444	SWITCH BUTTON(4.4)		2				
003	TK219EUA01	HOUSING ASSEMBLY		1	*			
D10		INC. 4-22			*			
003-1	TK219EUA01	HOUSING ASSEMBLY	<	1	*			
D10		INC. 4-22,107,108			*			
003-2	TK2191EU01	HOUSING COMPLETE	<	1				
D10		INC. 4-10,13,14,17-22						
004	TK02181041	HANDLE		2				
005	TK02181261	HANDLE RETAINER		2				
006	TKP4010FUS	+PANHEADSCREWM4X10(WITHRUBBER)		2				
007	TK02180127	GRIP RETAINER		2				
008	TKTT3010FB	+TRUSS HD. TAPPING SCREW 3X10		2				
009	TK02181051	GRIP		1				
010	TK219102EU	HOUSING COMPLETE		1	*			
010-1	TK2191EU01	HOUSING COMPLETE	<	1	*			
D10		INC. 11,12,15,16			*			
010-2	TK219102EA	HOUSING COMPLETE	<	1				
D10		INC. 11-18						
011	TK00210106	GLASS V		3	*			
011-1	TK00210106	GLASS V	<	2				
012	TK02180128	GLASS V RETAINER LABEL		3	*			
012-1	TK02180128	GLASS V RETAINER LABEL	<	2				
013	TK02101071	GLASS H		1				
014	TK02180129	GLASS H RETAINER LABEL		1				
015	TK02190125	COVER V		1				
016	TK02190128	DOUBLE SIDES LABEL V		1				
017	TK02190126	COVER H		3	*			
017-1	TK02190129	DOUBLE SIDES LABEL H	X	3				
018	TK02190129	DOUBLE SIDES LABEL H		3	*			
018-1	TK02190126	COVER H	X	3				
019	TKAL411252	DC JUCK COVER		1				
020	TK02181302	COMPRESSION SPRING E		2				
021	TK00SB3000	STELL BALL 3		2				
022	TK219UN131	DC JUCK UN		1				
023	TK0P2550FB	+ PAN HEAD SCREW M2.5X5		4				
024	TK0195SA01	LOCK CAM COMPLETE		1	*			
024-1	TK195SA011	LOCK CAM COMPLETE	O	1				
025	TK01701192	LOCK LEVER		1				
026	TK03F2080N	COUTERSUNK HD. SCREW M2X8		2				

Model No.SK312GD GREEN MULTI LINE LASER

Item	Parts No.	Description	I/C	Qty	New/Old	Opt. 1	Opt. 2	Note
027	TK01700104	LOCK SEAL		1				
028	TKTP2040FU	+PAN HEAD SCREW 2X4		4				
029	TKTP2080FB	+PAN HEAD TAPPING SCREW 2X8		4				
030	TK02180008	BATTERY HOLDER COMPLETE		1				
031	TK219EU113	NAME PLATE 219EU		1				
032	TK02181242	BATTERY HOLDER GASKET		1				
033	TK02180103	HOUSING RETAINER RING		1	*			
033-1	TK02181031	HOUSING RETAINER RING	O	1				
034	TK03P2040N	PAN HD.SCREW M2X4		2				
035	TKLVF0076C	SWITCH UNIT		1				
036	TK0T3060FU	+TRUSS HD. SCREW 3X6		3				
037	TK0000PW50	FLAT WASHER 5		3				
038	TK01731383	PILLAR BUSH		6				
039	TK0219SA02	GIMBAL ASSEMBLY		1	*			
D10		INC. 40-46			*			
039-1	TK219SA021	GIMBAL ASSEMBLY	S	1				
D10		INC. 40-46						
040	TK01830135	UPPER FRAME		1				
041	TK00174111	GIMBAL INNER RING		1				
042	TK01730196	FULCRUM SCREW		4				
043	TK01730199	BALL BEARING		4				
044	TKS3060FB5	HEX SOCKET HD. SCREW M3X6		4				
045	TK01730148	O RING		1				
046	TK0F2580B0	FLAT HEAD SCREW M2.5X8		4				
047	TK03P2040N	PAN HD.SCREW M2X4		16				
048	TK219SA03E	LASER UNIT V COMPLETE		3				
D10		INC. 54						
049	TK02160111	LASER UNIT G COMPLETE		3	*			
049-1	TK02160111	LASER UNIT G COMPLETE	O	1				
050	TK00218012	LENS		3	*			
050-1	TK00218012	LENS	O	1				
051	TK0000PW20	FLAT WASHER		6	*			
051-1	TK0000PW20	FLAT WASHER	O	2				
052	TK03P2060N	PAN HD.SCREW M2X6		6	*			
052-1	TK03P2060N	PAN HD.SCREW M2X6	O	2				
053	TK0LV37351	ECCENTRIC SCREW		3	*			
053-1	TK0LV37351	ECCENTRIC SCREW	O	1				
054	TK219SA04E	LASER UNIT COMPLETE		3	*			
D10		INC. 49-53			*			
054-1	TK219SA04E	LASER UNIT COMPLETE	O	1				
D10		INC. 49-53						
055	TKS2550S05	H.S.SET SCREW(FLAT POINT)		2				

Model No.SK312GD GREEN MULTI LINE LASER

Item	Parts No.	Description	I/C	Qty	New/Old	Opt. 1	Opt. 2	Note
056	TKS2540FB4	H.S.SET SCREW M2.5X4		2				
057	TK02160111	LASER UNIT G COMPLETE		1				
058	TK00218012	LENS		1				
059	TK0000PW20	FLAT WASHER		2				
060	TK03P2060N	PAN HD.SCREW M2X6		2				
061	TK0LV37351	ECCENTRIC SCREW		1				
062	TK219SA04E	LASER UNIT COMPLETE		1				
D10		INC. 57-61						
063	TKLVF0068B	CONTROL UNIT		1	*			
063-1	TKLVF068B1	CONTROL UNIT G3L-LB-1	O	1				
064	TK03P2040N	PAN HD.SCREW M2X4		1				
065	TK03P2080N	PAN HD. SCREW M2X8		1				
066	TKST2060FZ	SPACER		1				
067	TK0219SET1	BALANCER WEIGHT SET		1	*			
068	TK0LVE3044	LEAD UNIT A		1				
069	TK0000PW50	FLAT WASHER 5		3				
070	TK01701146	PILLAR A		2				
071	TK02100118	PILLAR B		1				
072	TKLVF00753	POWER SUPPLY UNIT		1				
073	TK03P2040N	PAN HD.SCREW M2X4		2				
074	TK0218SA05	LOWER FRAME COMPLETE		1				
075	TK0P3080FU	+PAN HD. SCREW M3X8		3				
076	TK03P2040N	PAN HD.SCREW M2X4		2				
077	TK0LVF0066	CONNECTOR UNIT		1				
078	TK03P2080N	PAN HD. SCREW M2X8		2				
079	TK0TL32108	SWITCH		1				
080	TK01501151	O RING		1				
081	TK0173SA13	MAGNET UNIT		1	*			
081-1	TK173SA131	MAGNET UNIT	S	1				
082	TK0P3060FU	+PAN HEAD SCREW M3X6		3				
083	TK00170132	DAMPER PLATE A		1	*			
084	TK01730156	DAMPER PLATE B		1	*			
084-1	TK01730156	DAMPER PLATE B	S	2				
085	TKLV272921	RING NUT		1				
086	TK01970106	ADJUSTING WHEEL		2				
087	TKS2540FB4	H.S.SET SCREW M2.5X4		2				
088	TK01821171	BUSH		1				
089	TK01821141	ADJUSTING ROD		1				
090	TK01821161	ROTATION RING		1				
091	TK01821152	ADJUSTING RING		1				
092	TK0P2550FU	+PAN HD. SCREW M2.5X5		4				
093	TK0218118S	ADJUSTING FLAME		1				

Model No.SK312GD GREEN MULTI LINE LASER

Item	Parts No.	Description	I/C	Qty	New/Old	Opt. 1	Opt. 2	Note
094	TK00WW50S0	WAVE WASHER 5		1				
095	TK01850105	BUSH		1				
096	TK01851071	SPONGE		3				
097	TK0P2560FU	+PAN HD. SCREW M2.5X6		3				
098	TK01821181	TENSION SPRING		1				
099	TKTP2550FB	+PAN HD. SCREW M2.5X5		1				
100	TK0218121S	TRIPOD		1				
101	TKTT3070FU	+TRUSS HD. TAPPING SCREW 3X7		3				
102	TK02180108	SPIKE		3				
103	TK01581222	SPIKE CAP		3				
104	TK0LV36971	COVER GLASS		1	*			
104-1	TK02180136	COVER SHEET	O	1				
105	TK01821112	UNDER COVER ASSEMBLY		1				
106	TKTP3010FB	+TAPPING SCREW 3X10		3				
107	TK00210106	GLASS V		1				
108	TK02180128	GLASS V RETAINER LABEL		1				
A01	TK0219UNIM	CD-ROM		1				
A02	TK219UNQSG	OPERATION GUIDE		1				
A03	TK0219UNSB	SAFETY MANUAL		1				
A04	TK02100200	GLASSES LASER VISIBILITY		1				
A05	TK00SB0001	SHOULDER BELT		1				
A06	TKAK400MUN	STORAGE CASE		1	*			
D10		INC. A10			*			
A06-1	TKAK400M00	STORAGE CASE	>	1				
A07	TK219UNCB1	CARTON		1				
A08	TK0LVE3062	CABLE GCX(F)		1				
A09	TKERW219UN	LEAD UNIT		1				
A10	TK00219901	MODEL LABEL		1				

Please order the parts with part number.

Print Date 31/3/2020