

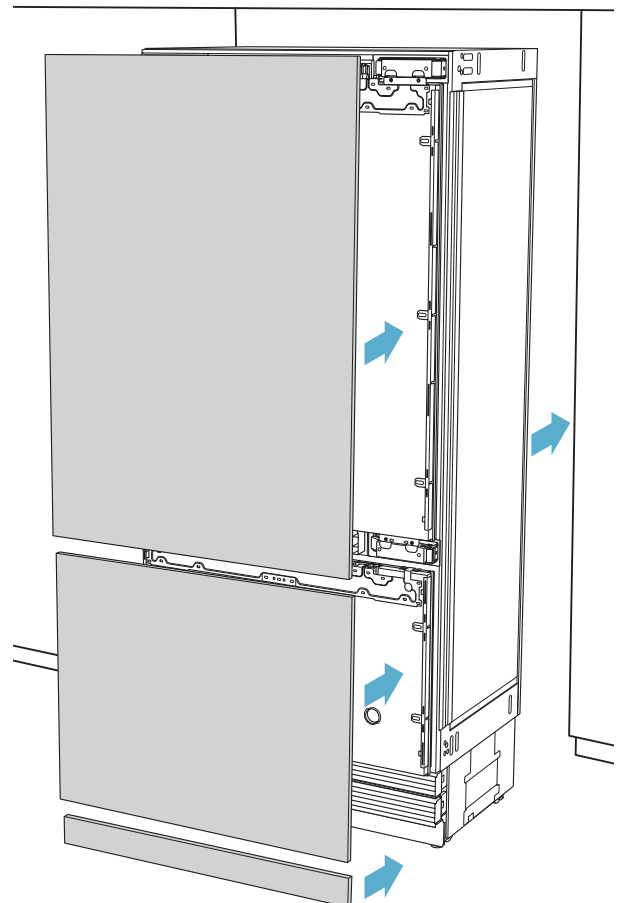
RB472303

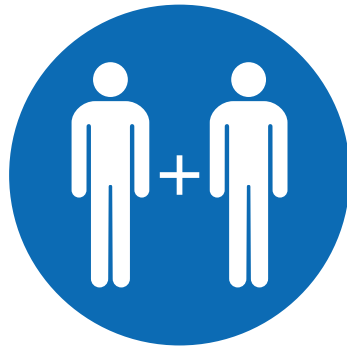
RB492303

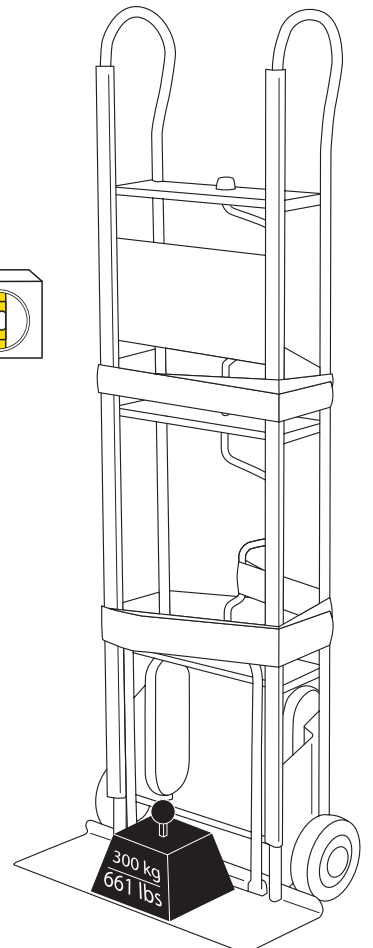
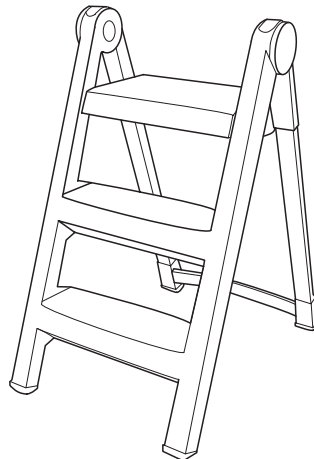
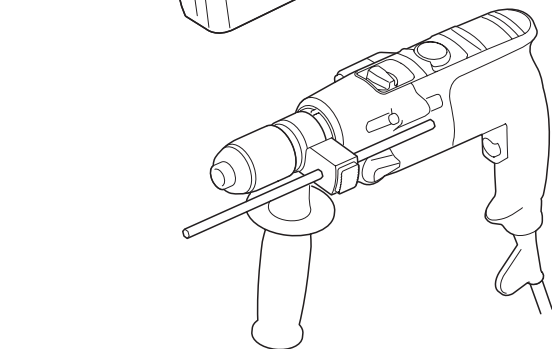
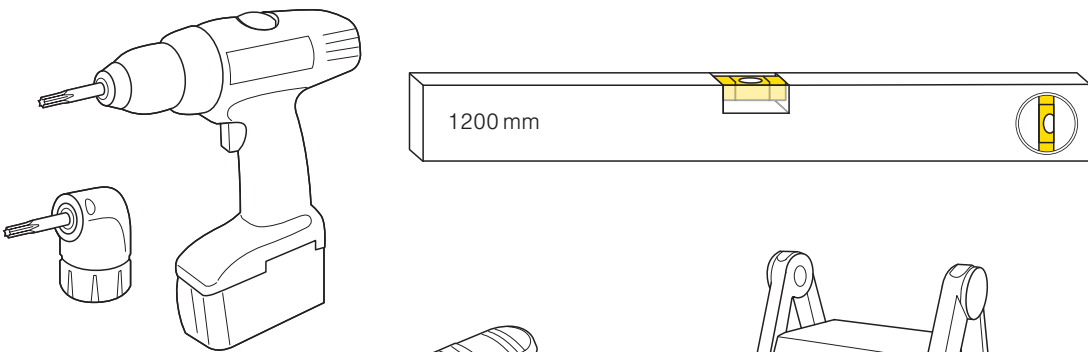
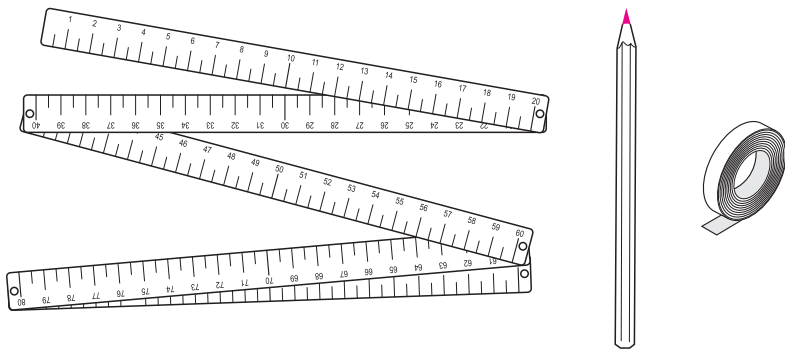
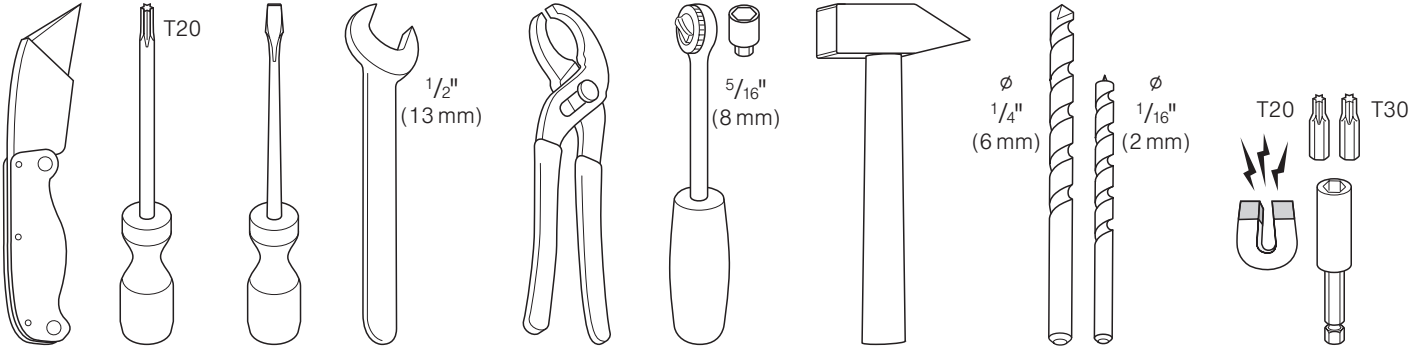
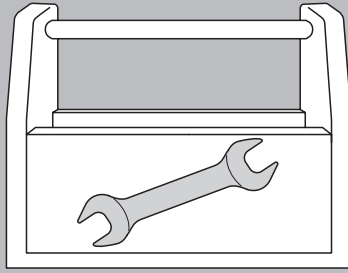
RB472305

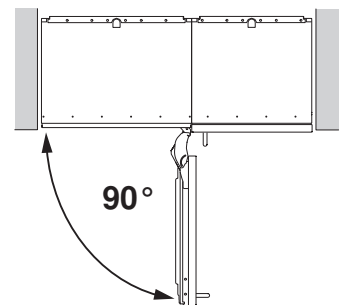
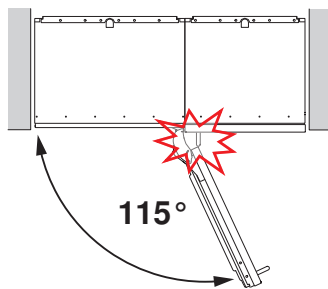
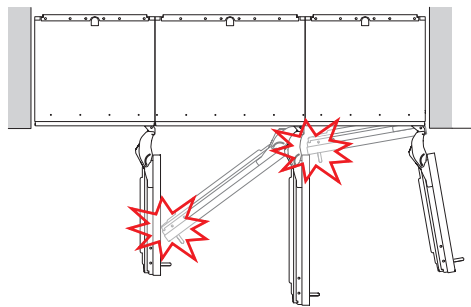
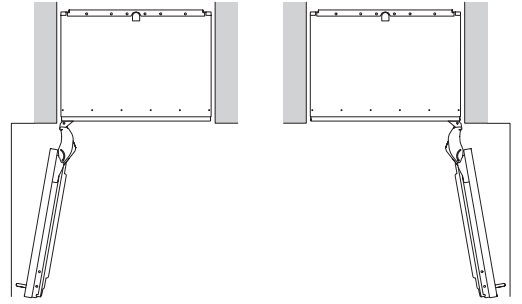
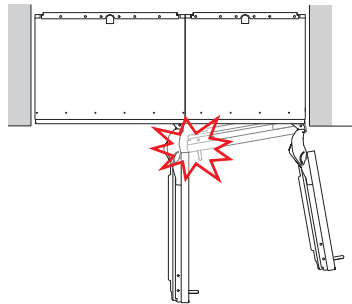
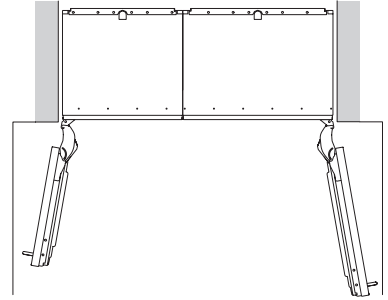
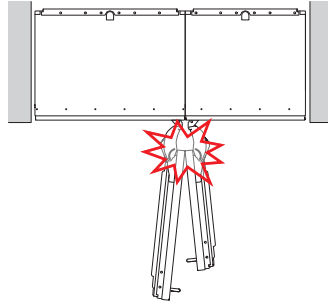
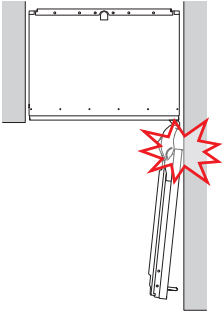
RB492305

RB492504



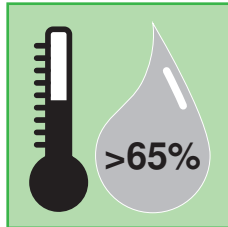




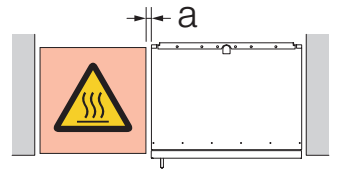




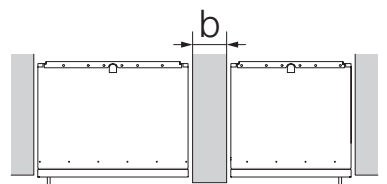
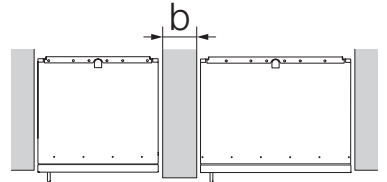
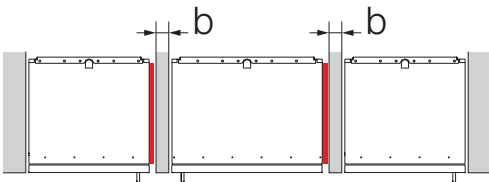
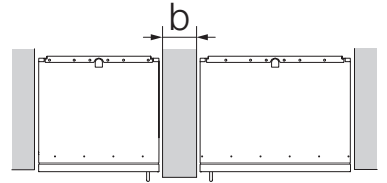
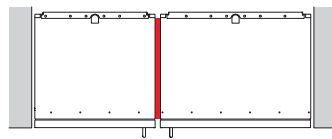
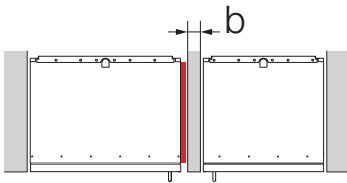
$\frac{5}{8}'' \leq b < 6\frac{1}{4}''$
(16 mm \leq b < 160 mm)

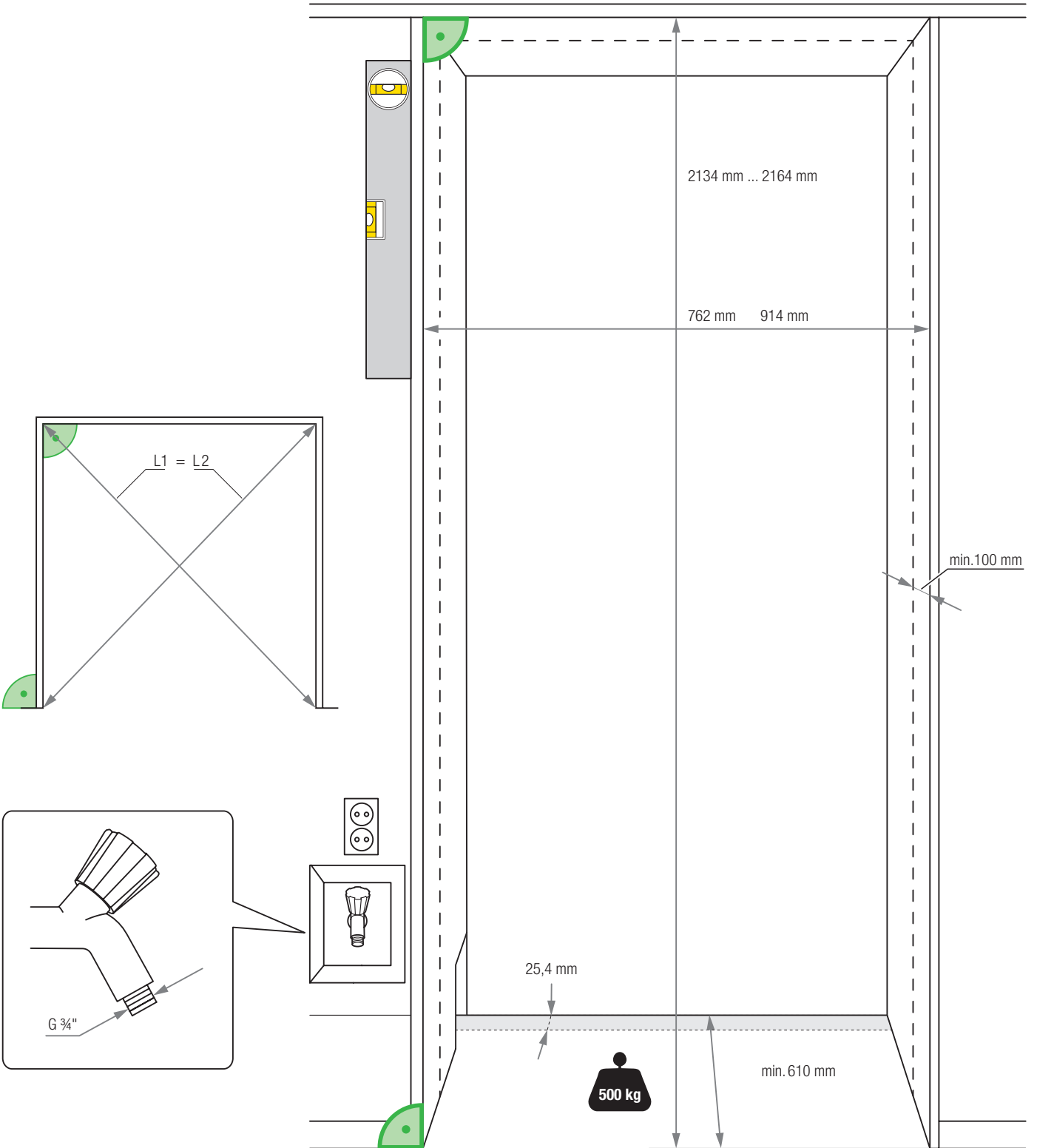


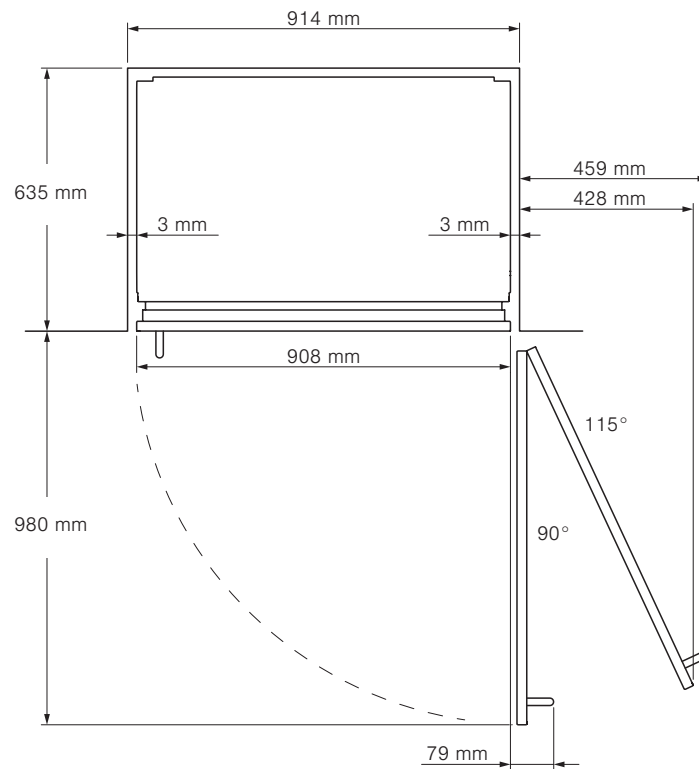
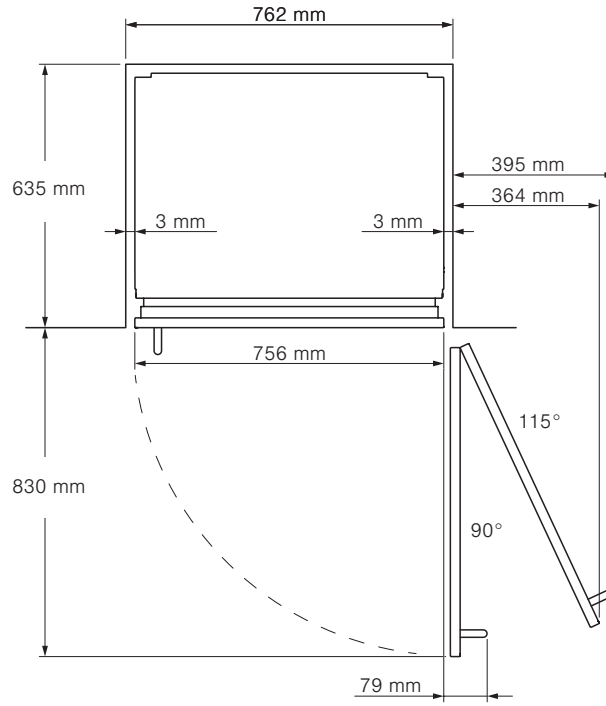
$a \geq 1\frac{3}{16}''$
(a \geq 30 mm)

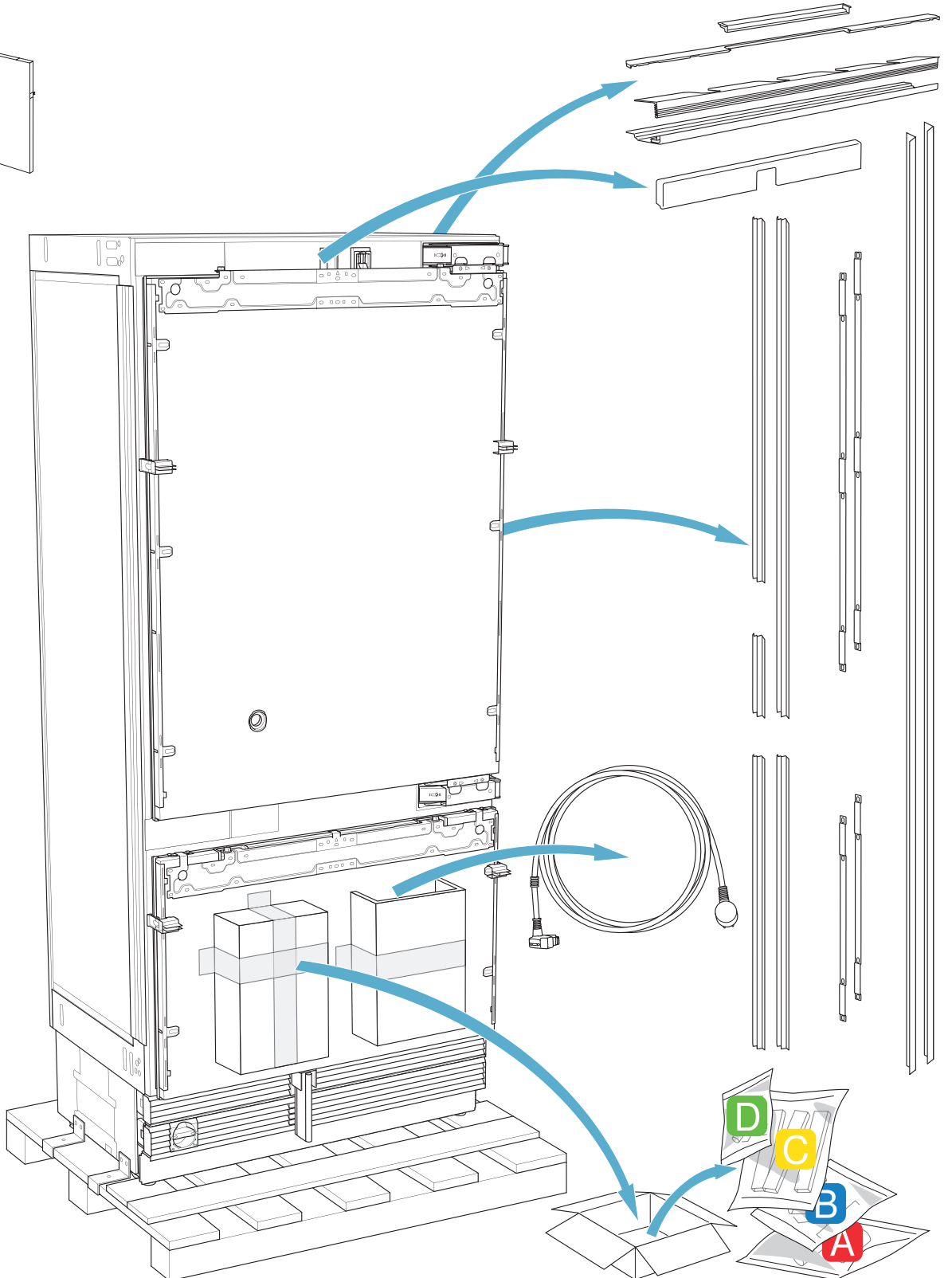
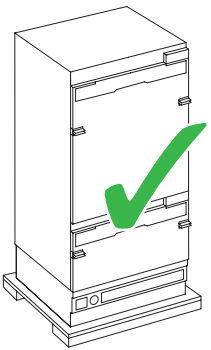
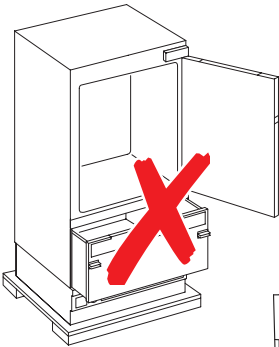
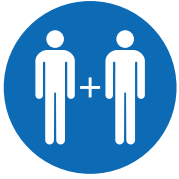


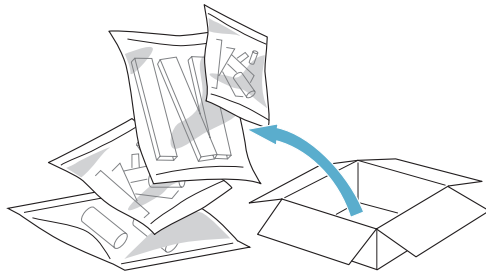
$b \geq 6\frac{1}{4}''$
 $b \geq 160$ mm




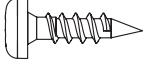

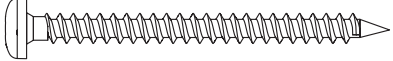
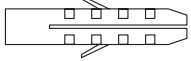


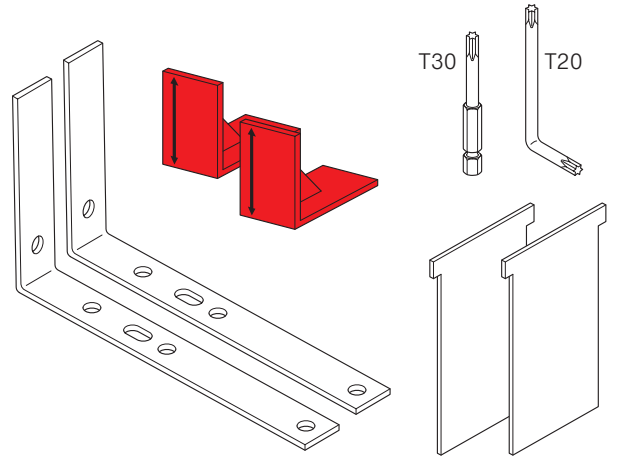








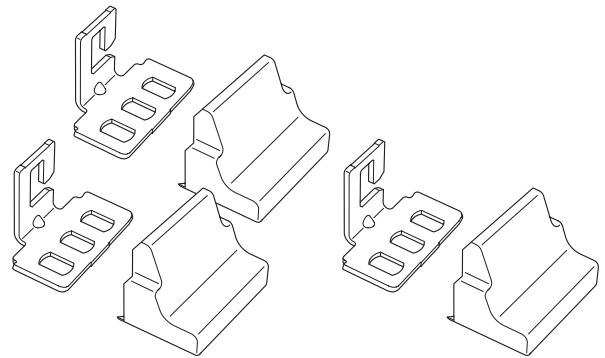
A

4x15			6x
5x60			4x
6x31			4x


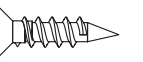




B

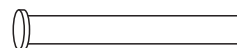
4x15			8x
------	---	---	----

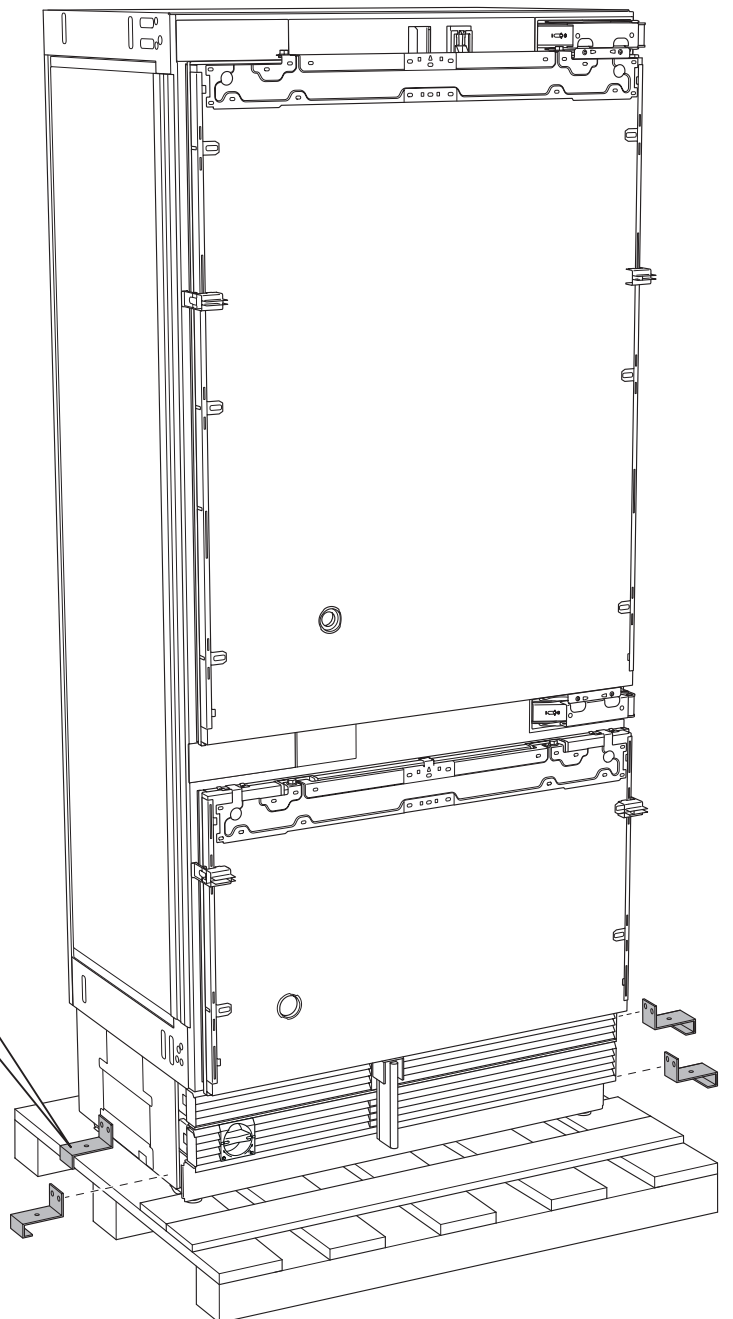
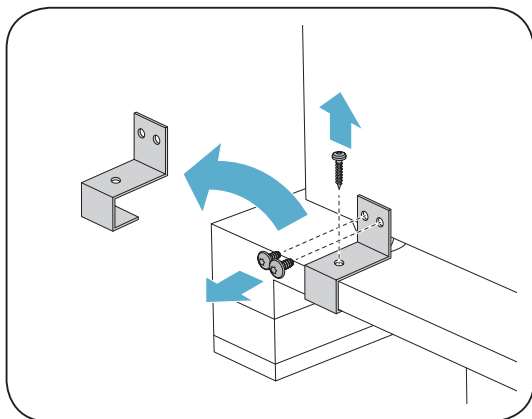
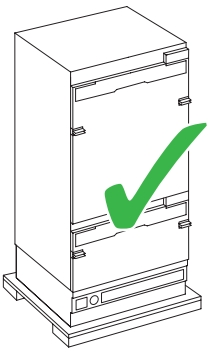
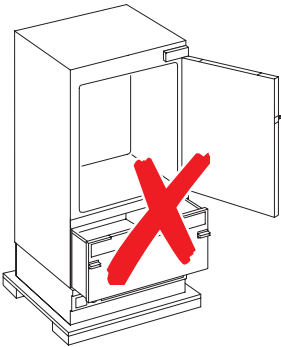
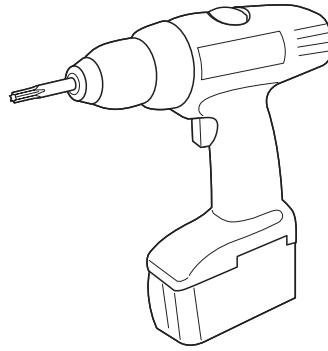
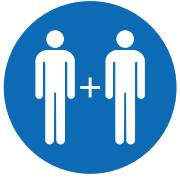


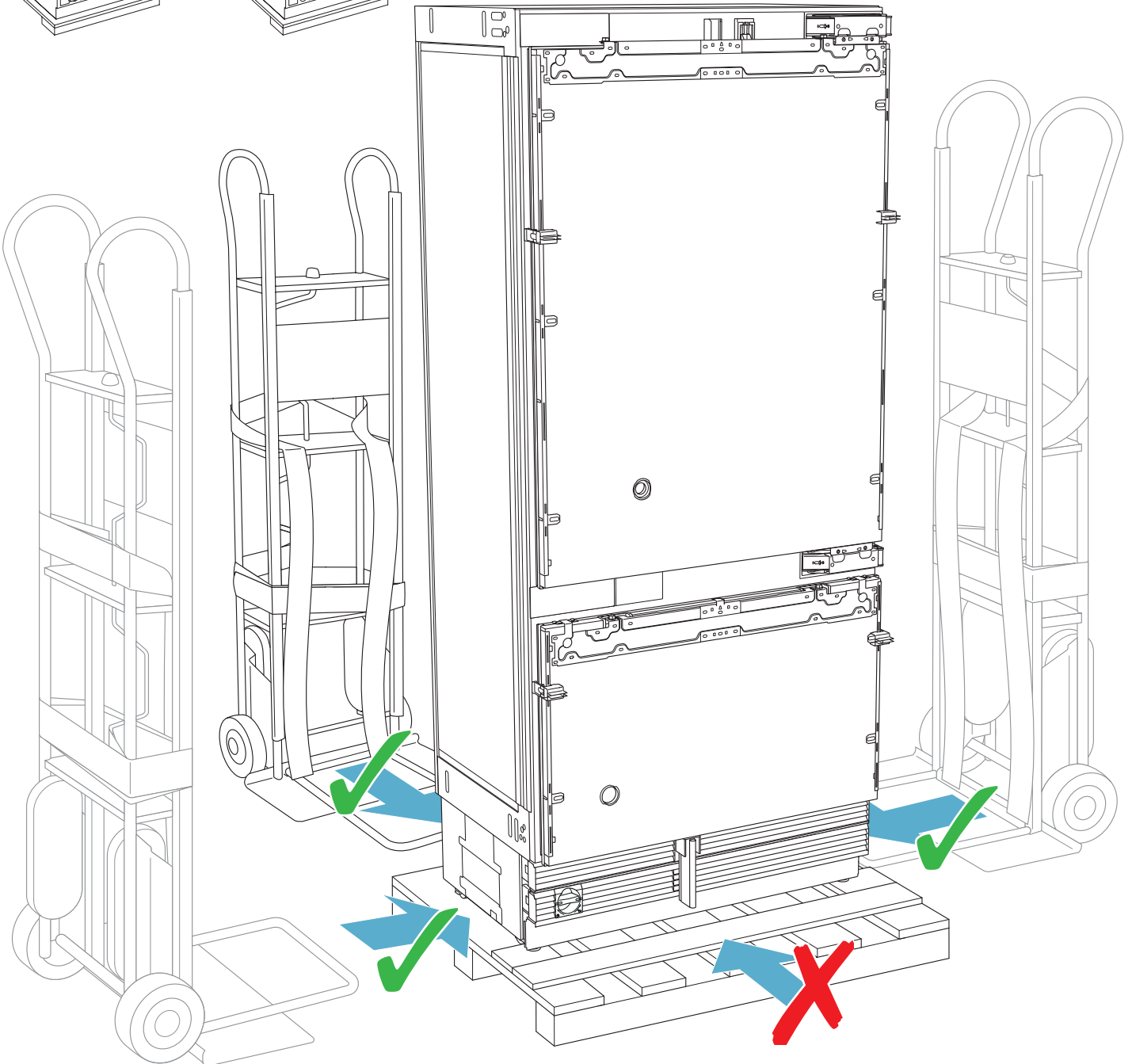
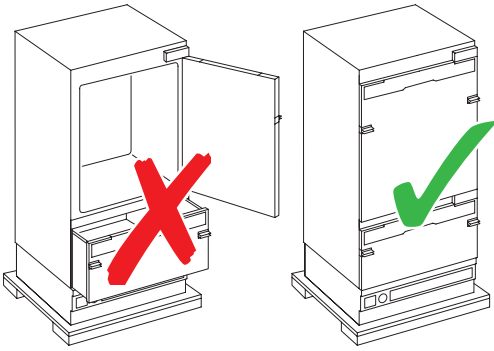
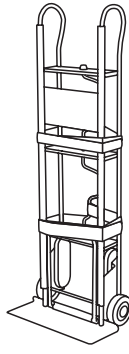
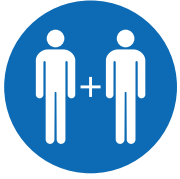
C

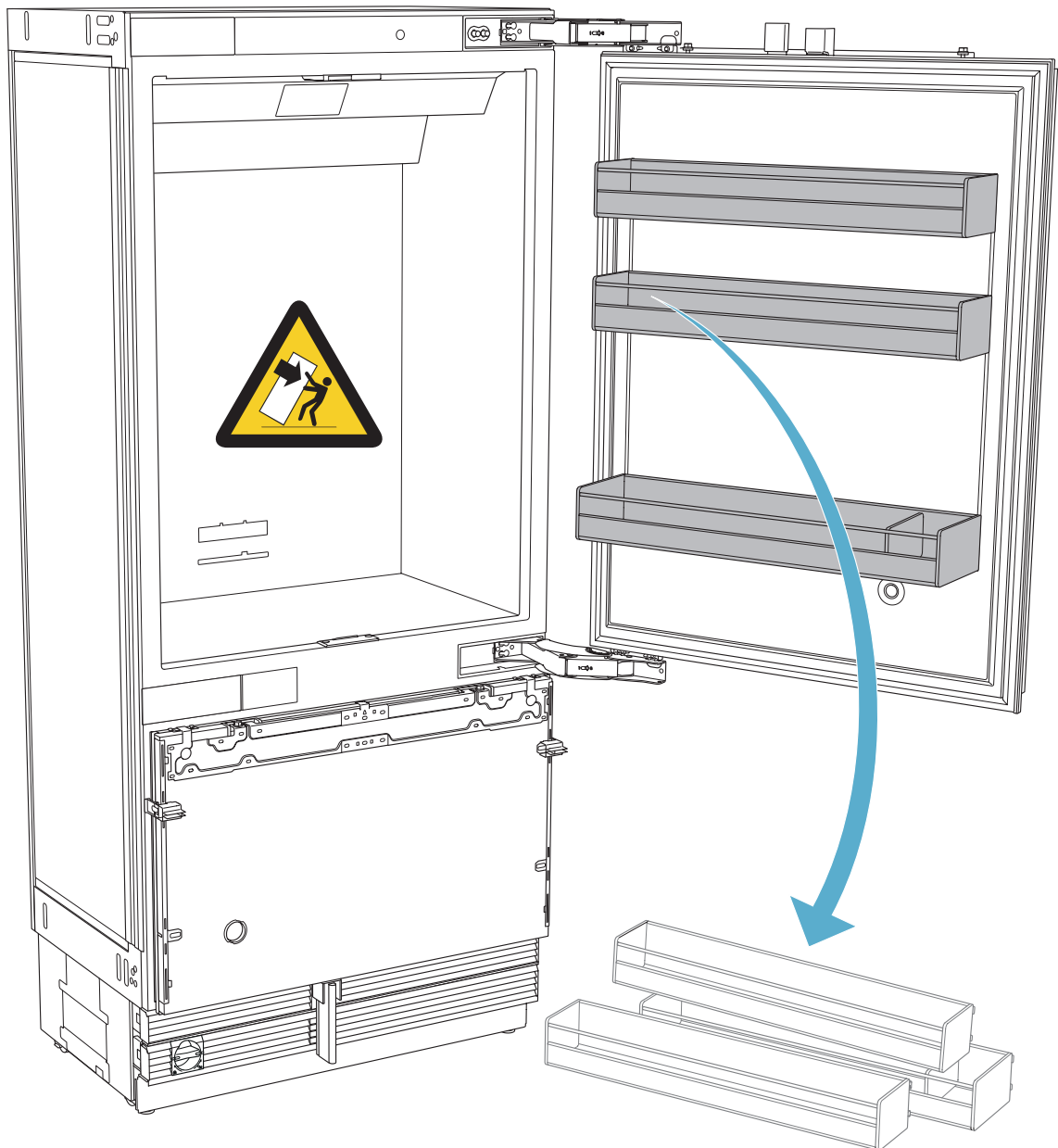
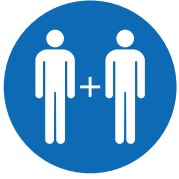
4x15			42x
4x15			6x

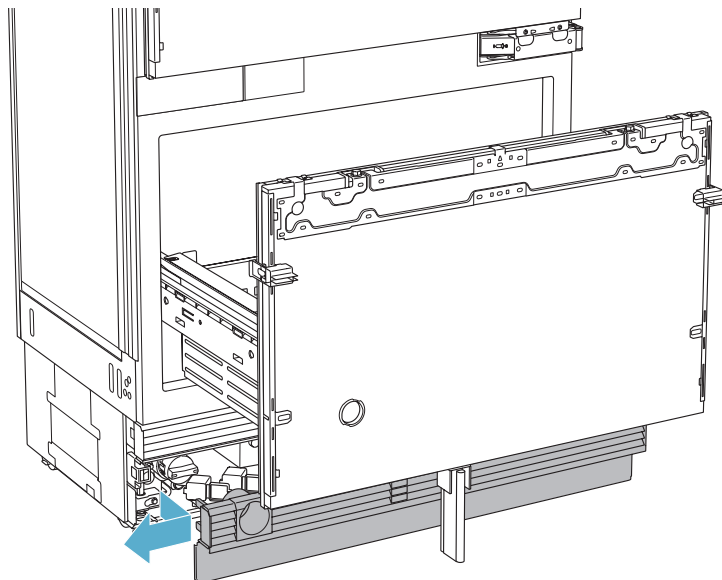
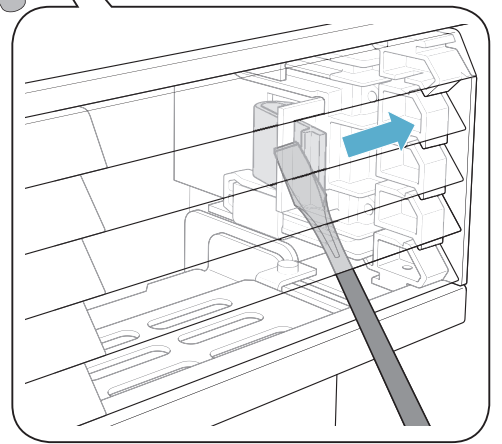
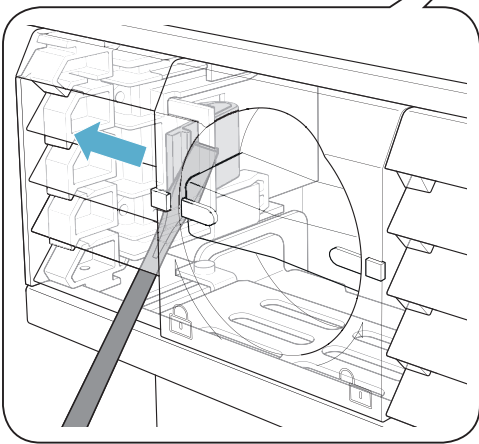
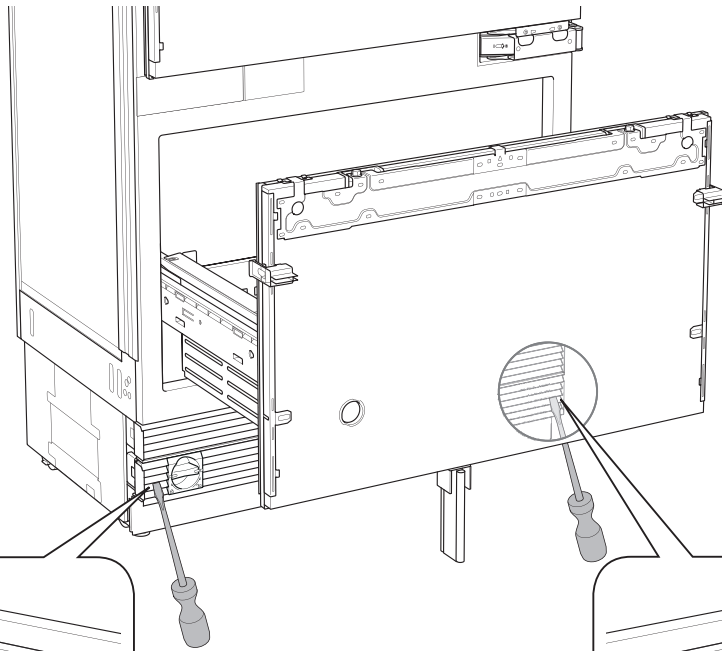
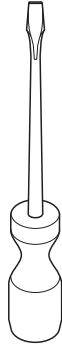
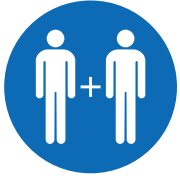
D

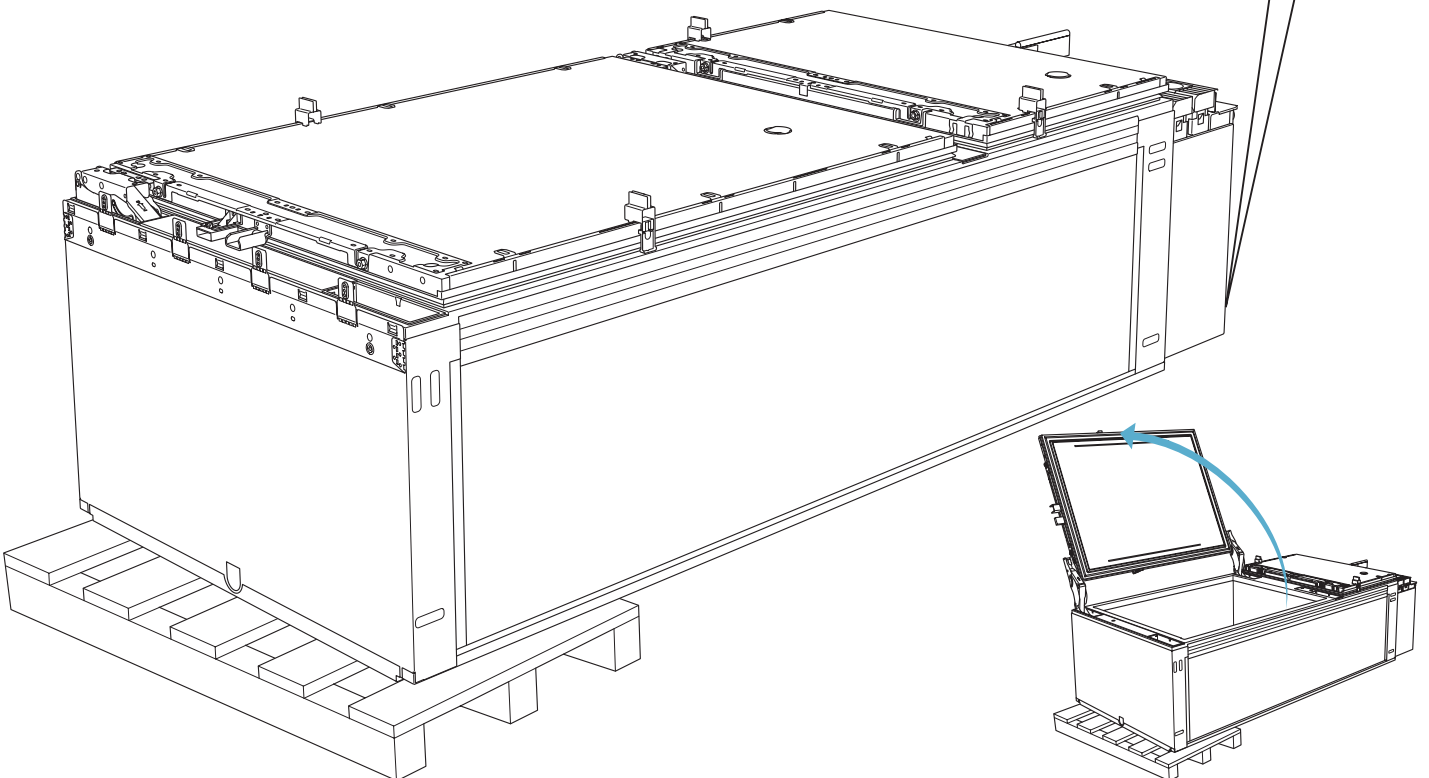
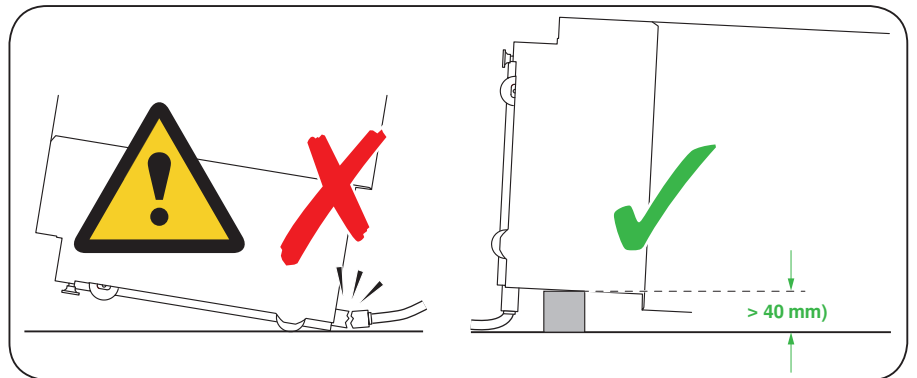
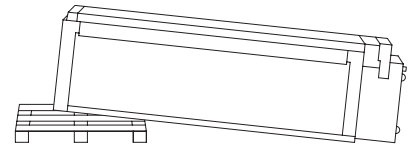
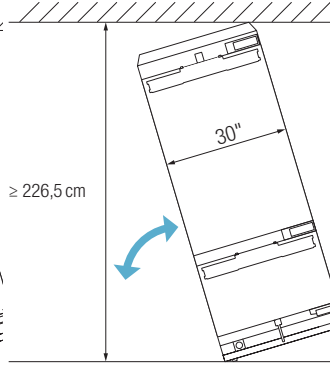
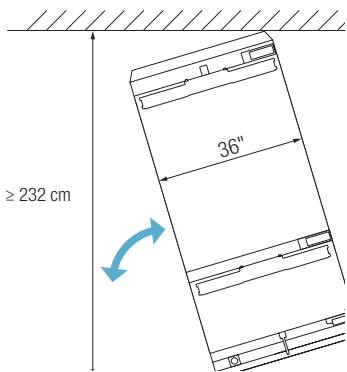
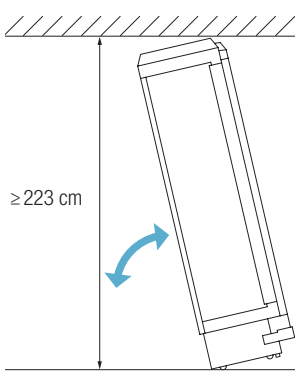
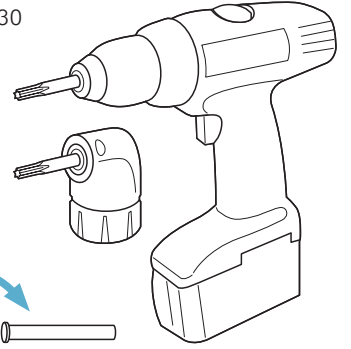
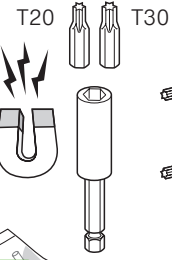
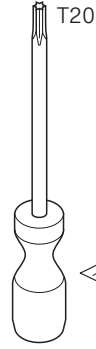
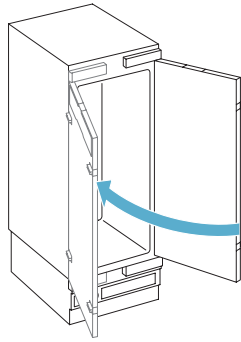
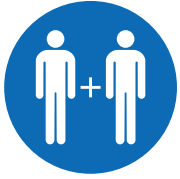




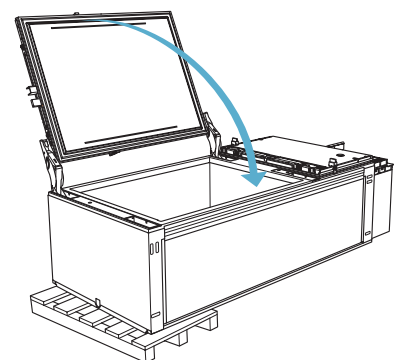
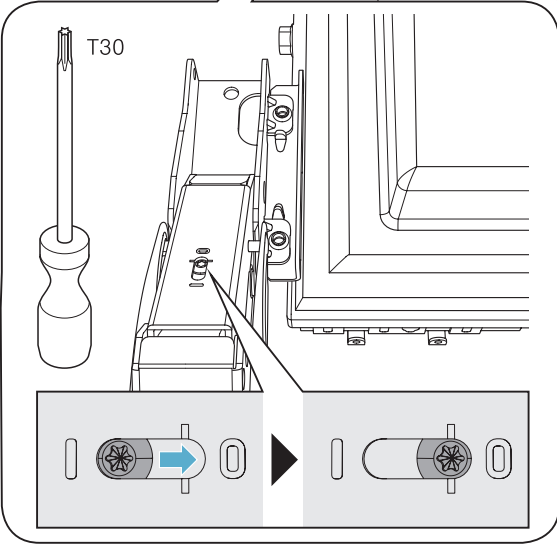
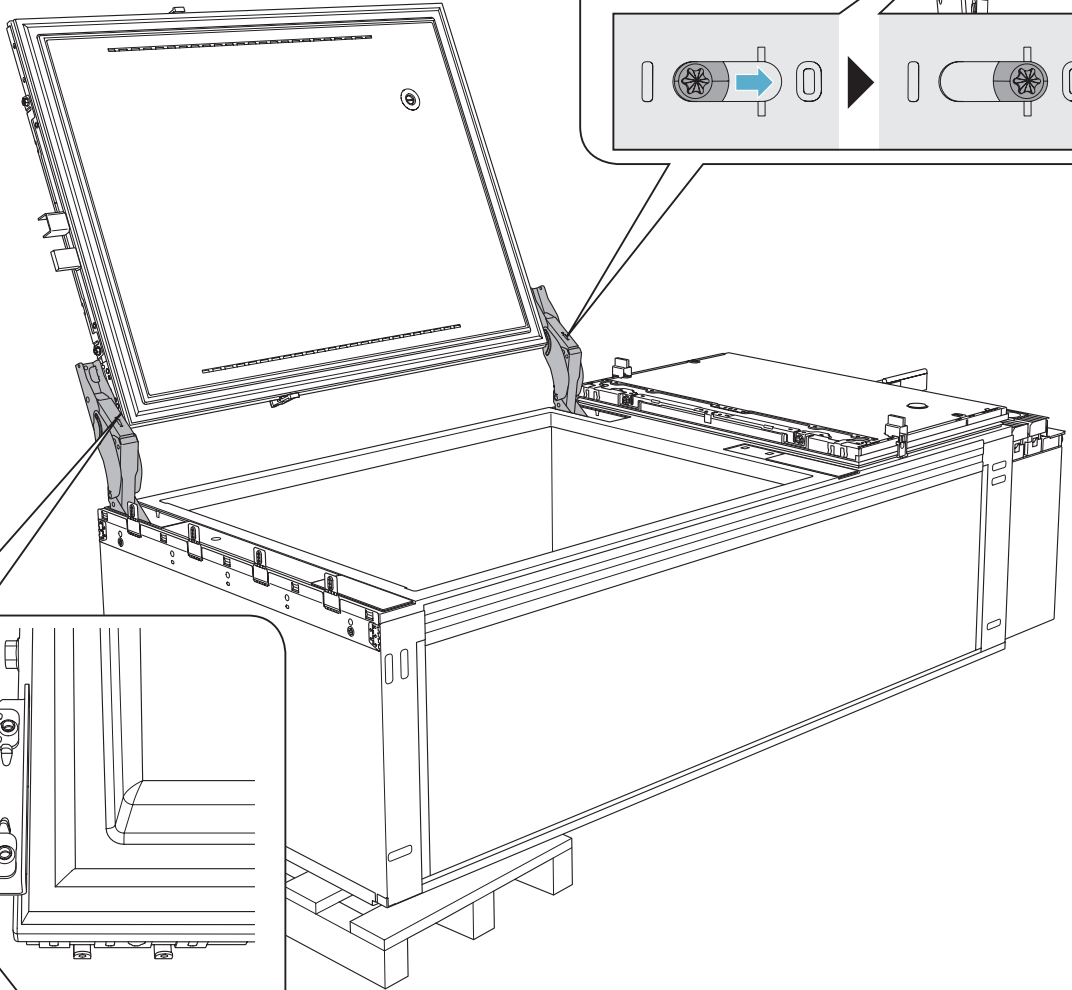
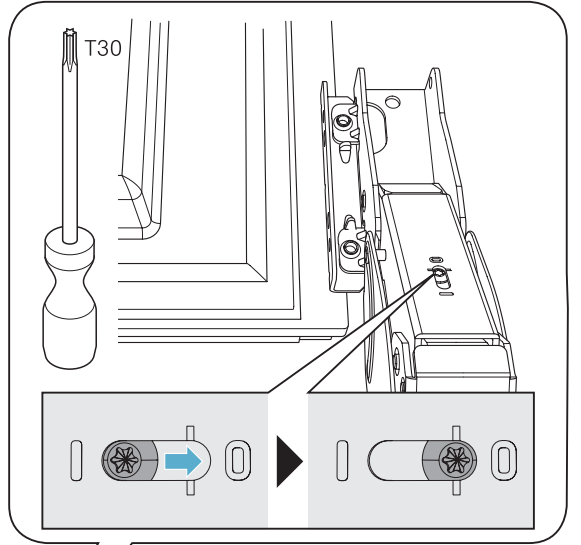
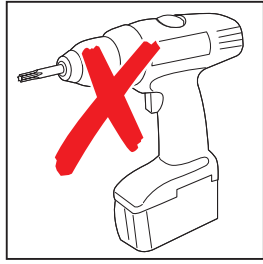


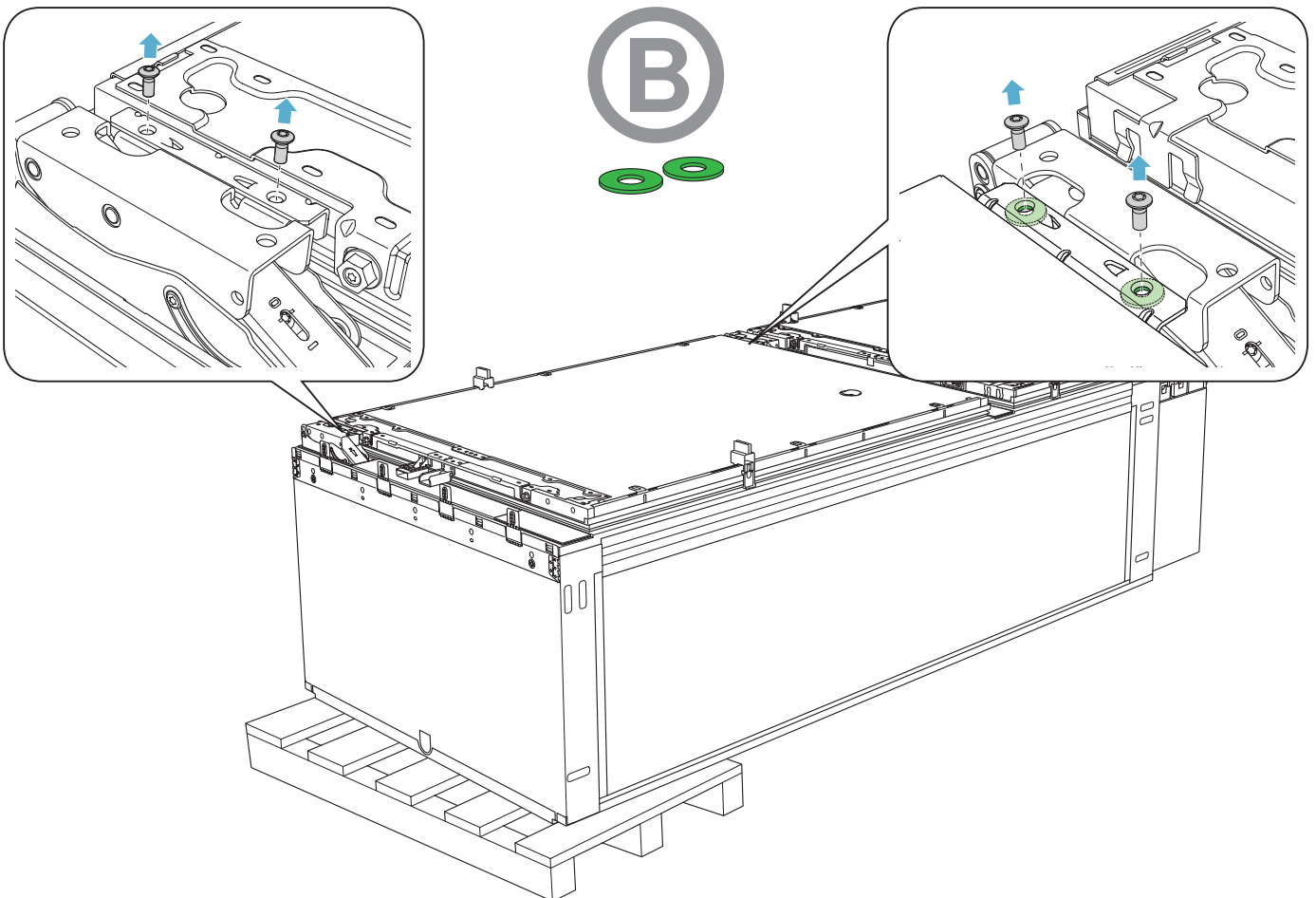
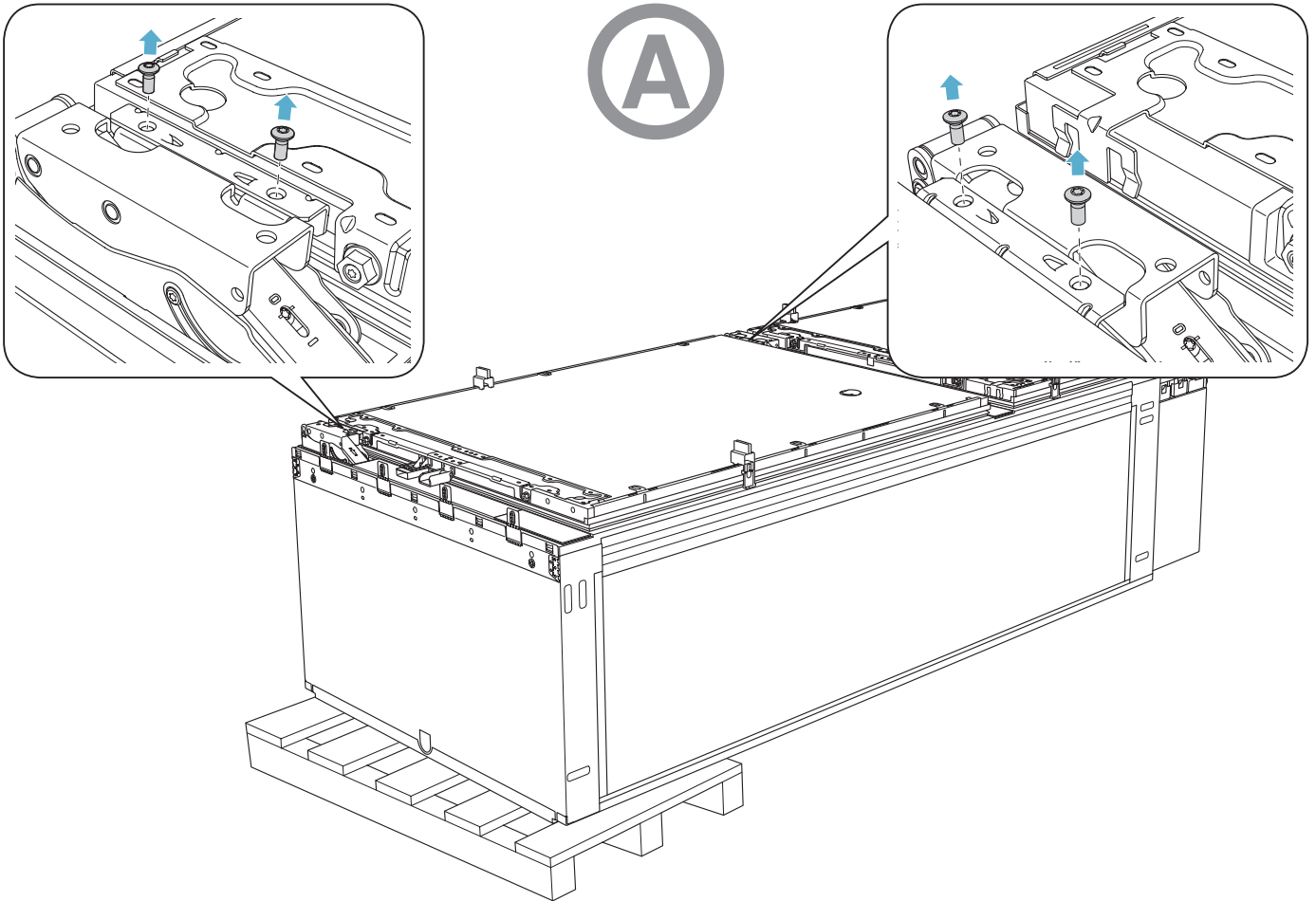




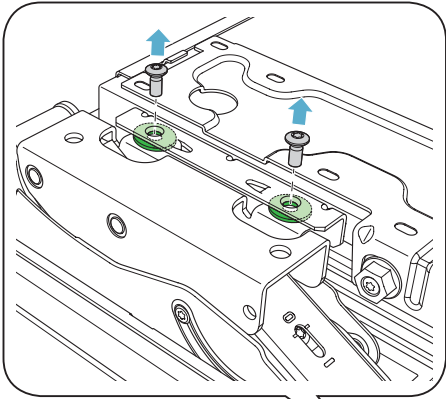


- A
- B
- C
- D

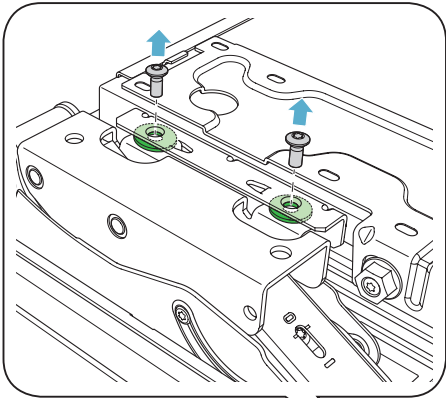
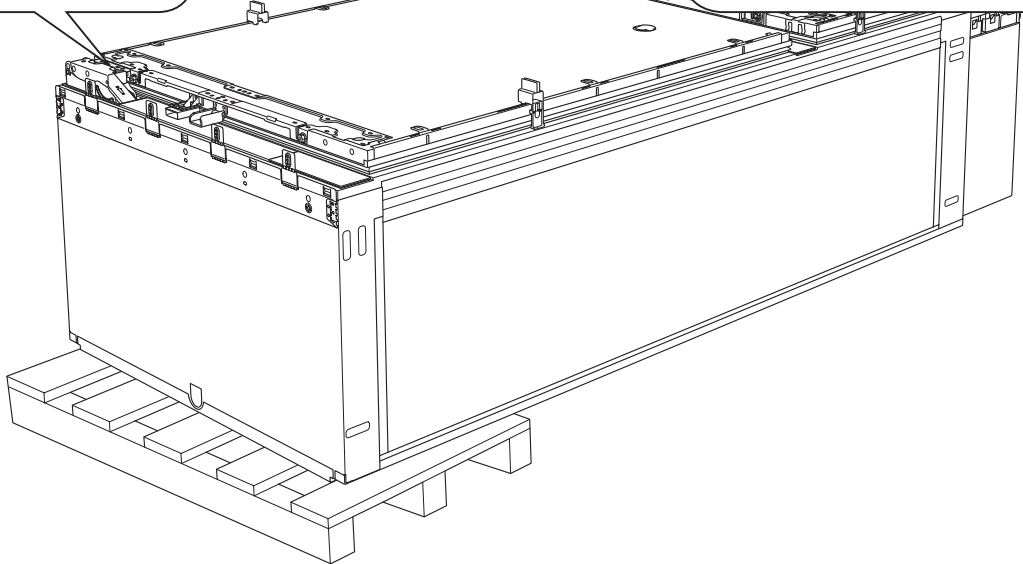
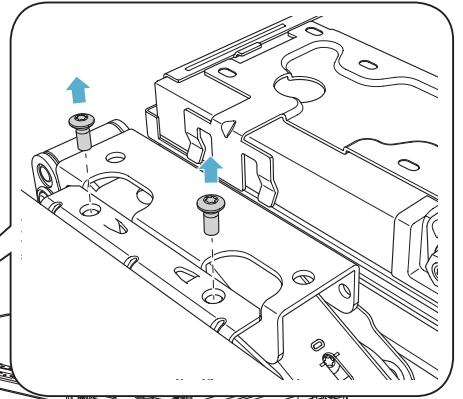




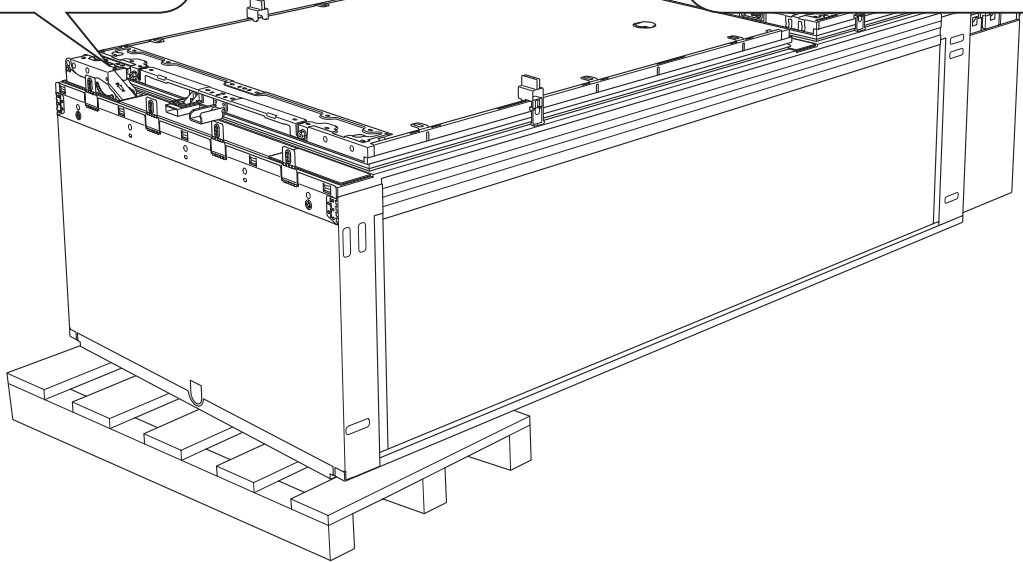
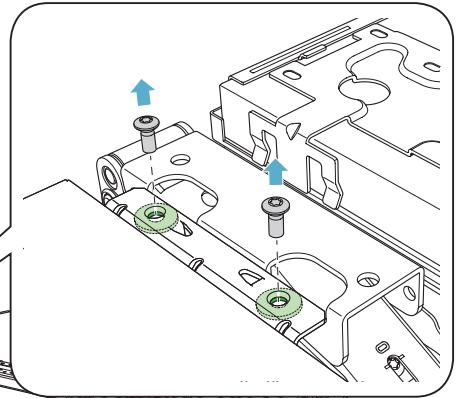
A
B
C
D

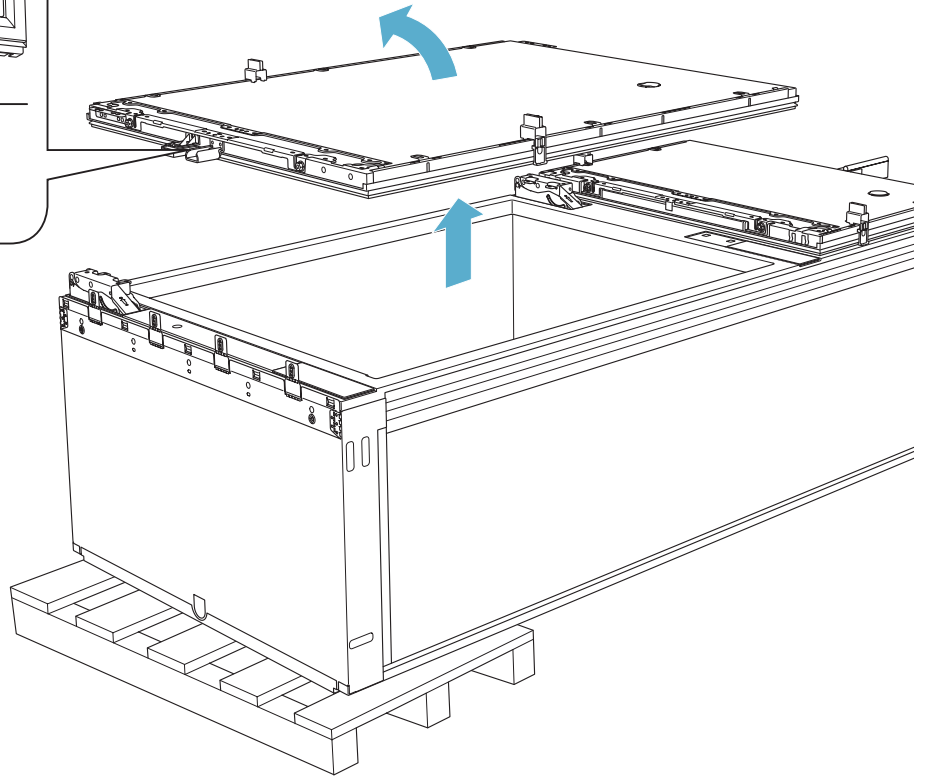
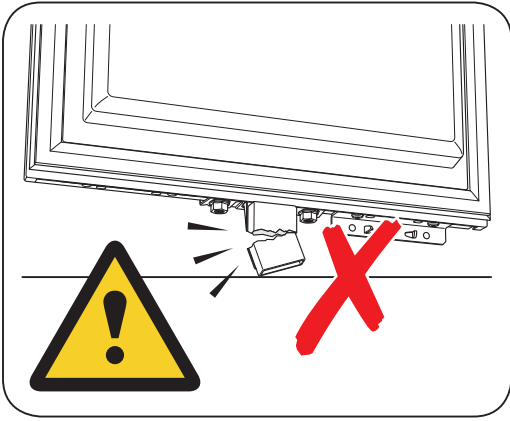


C



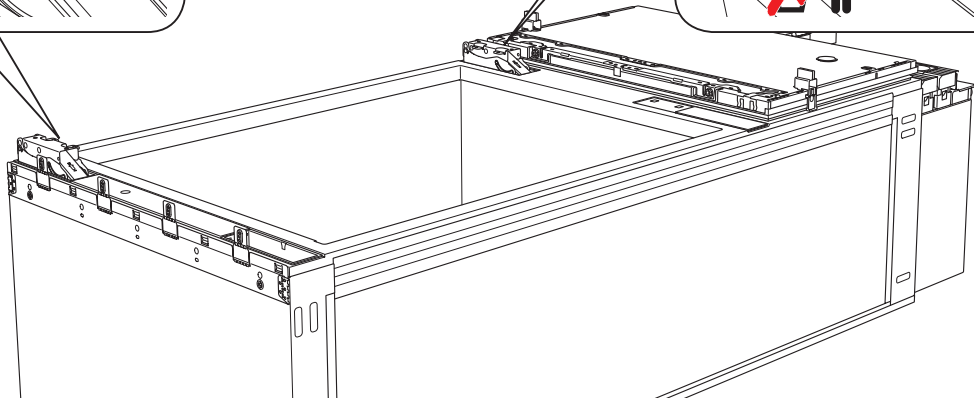
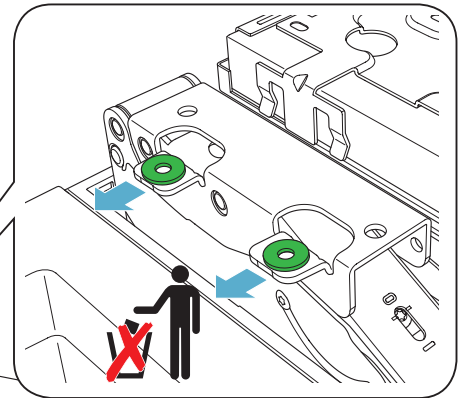
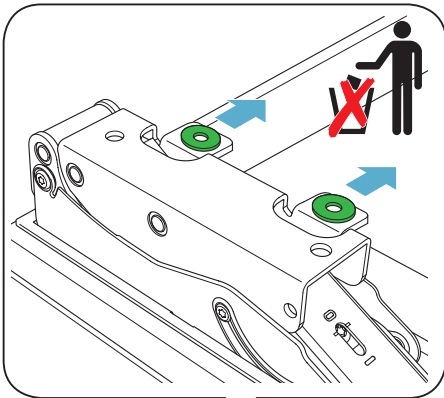
D





© ©

© ©

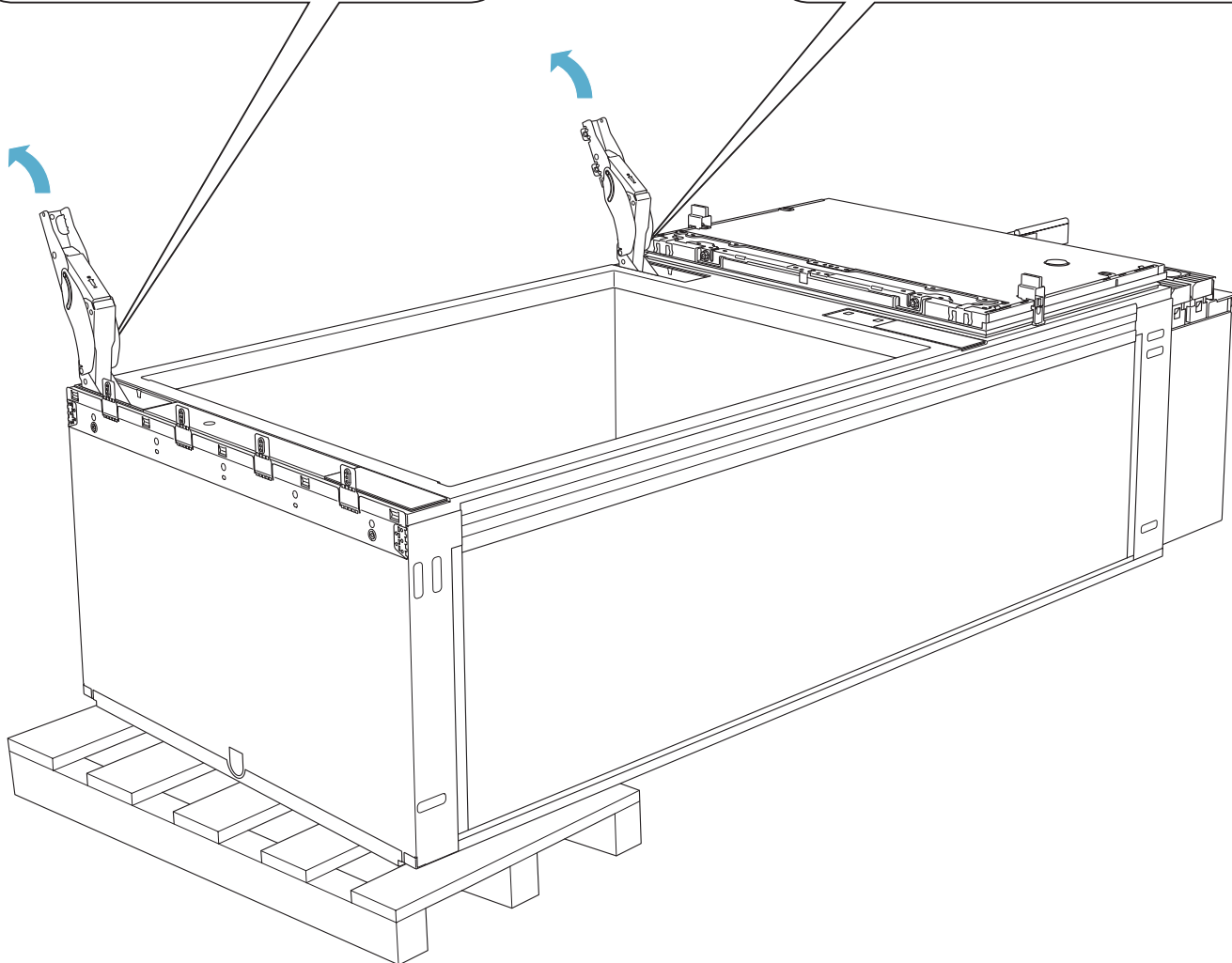
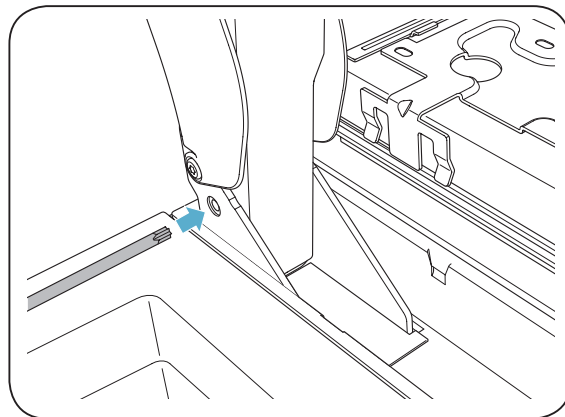
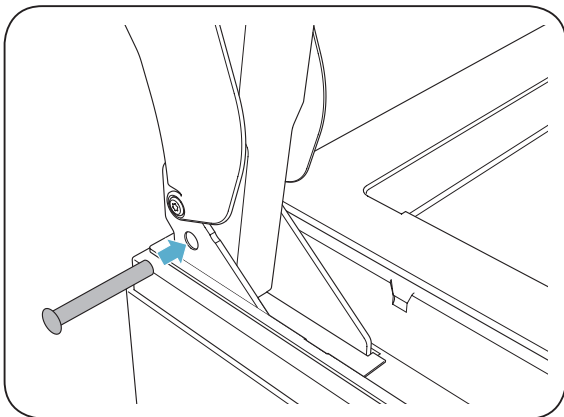
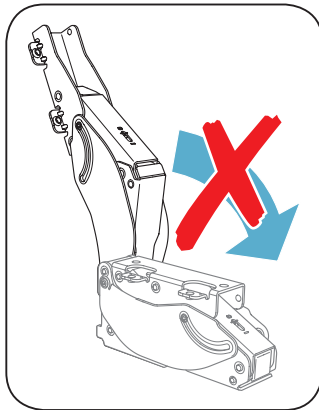


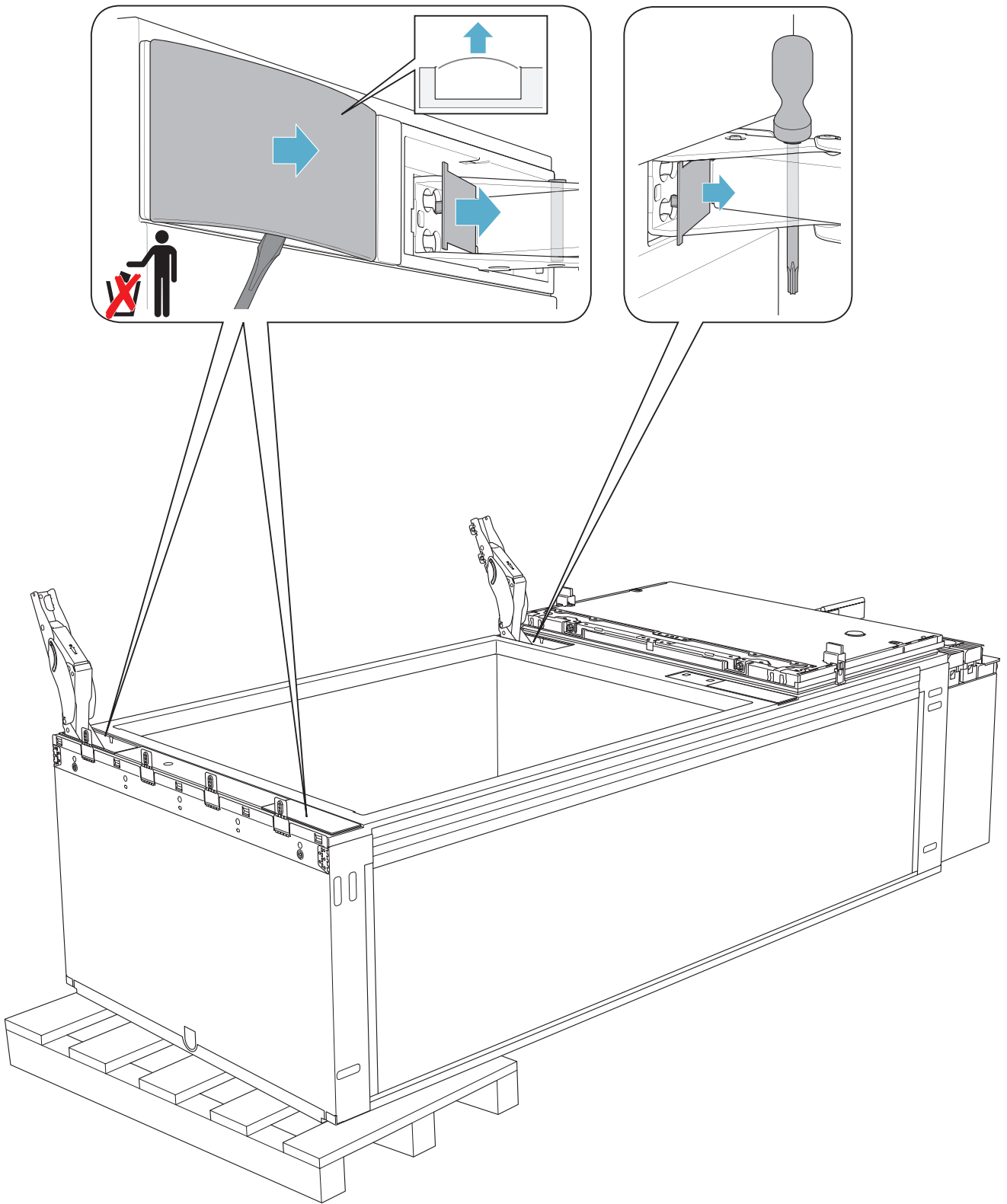
A

B

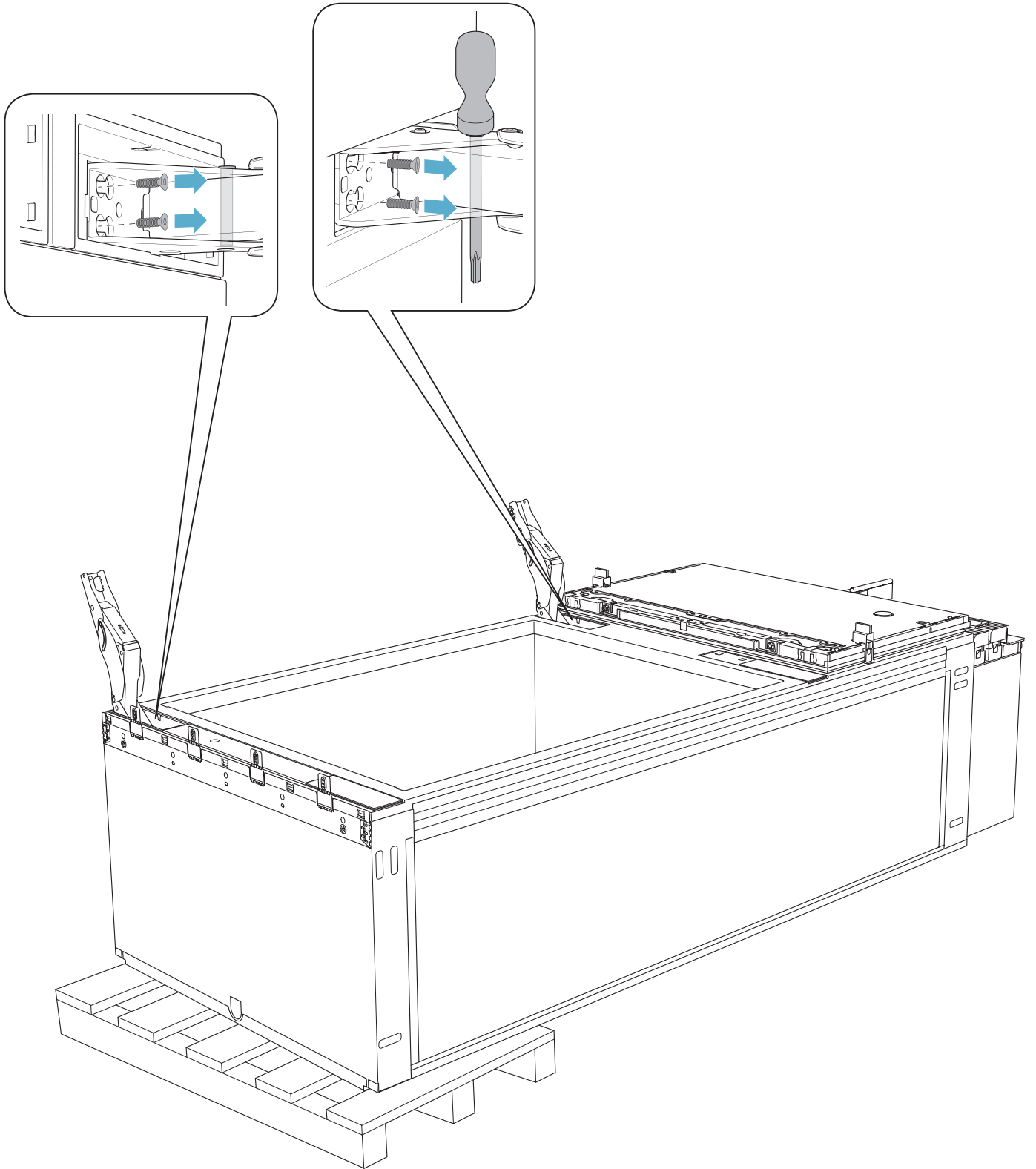
C

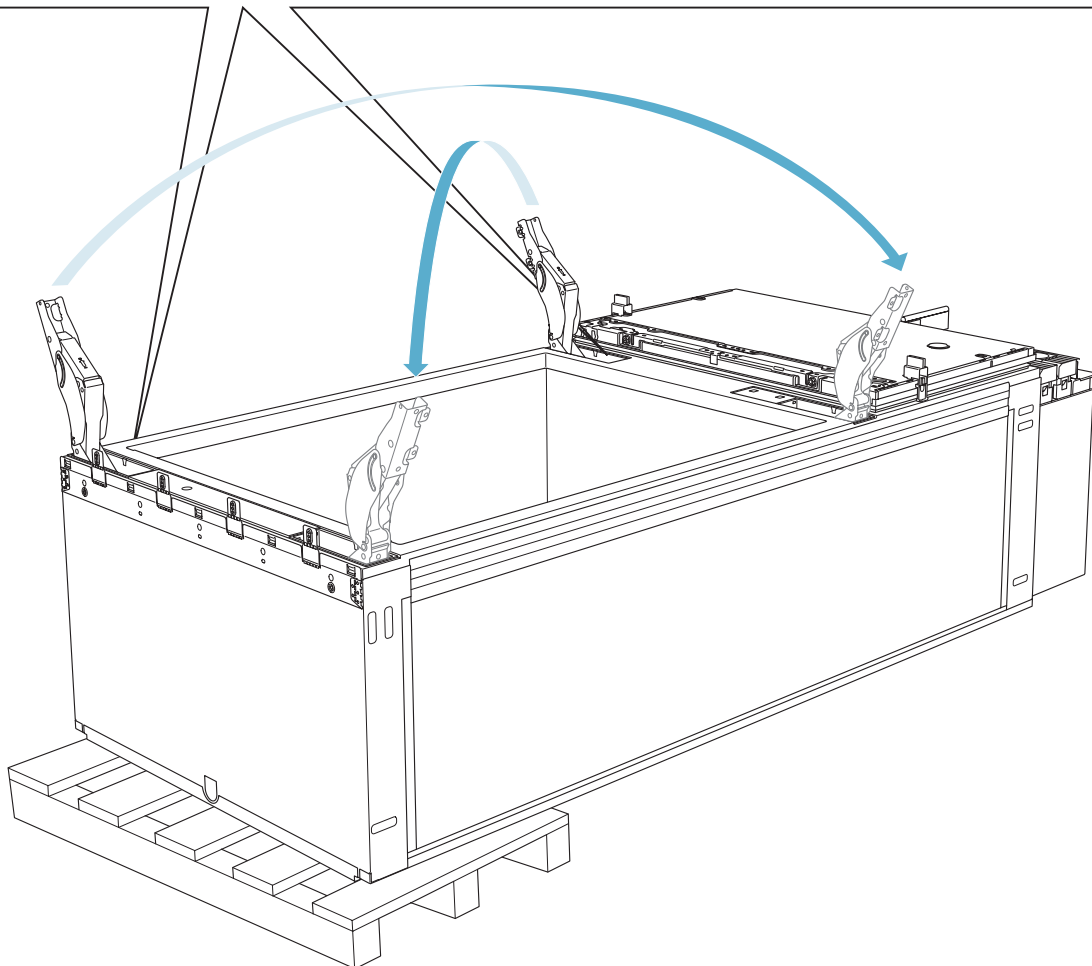
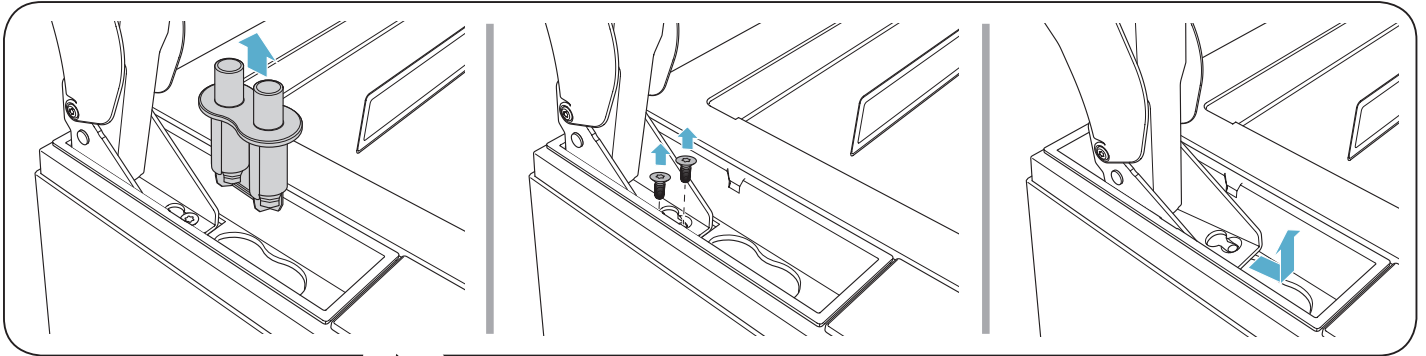
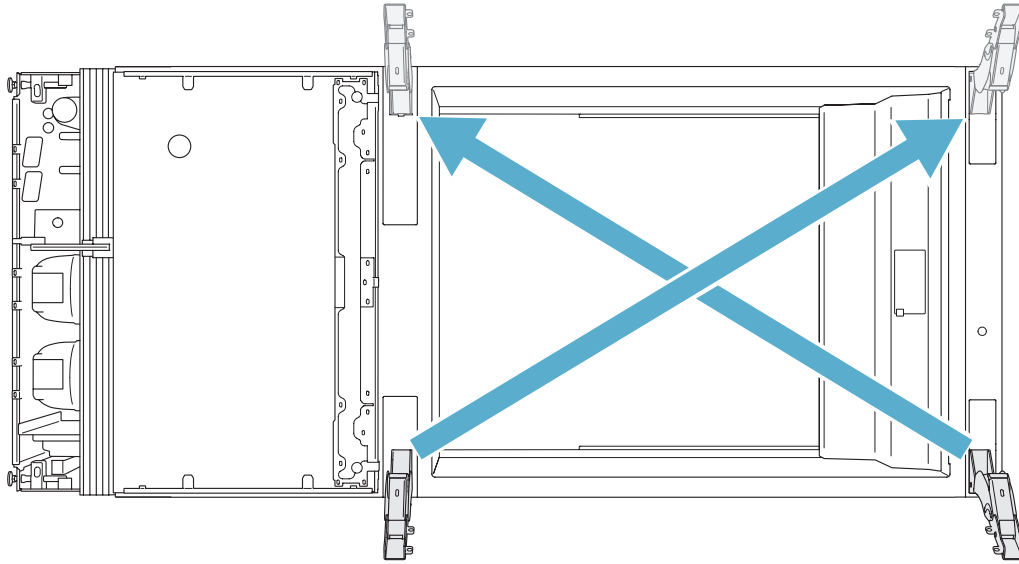
D



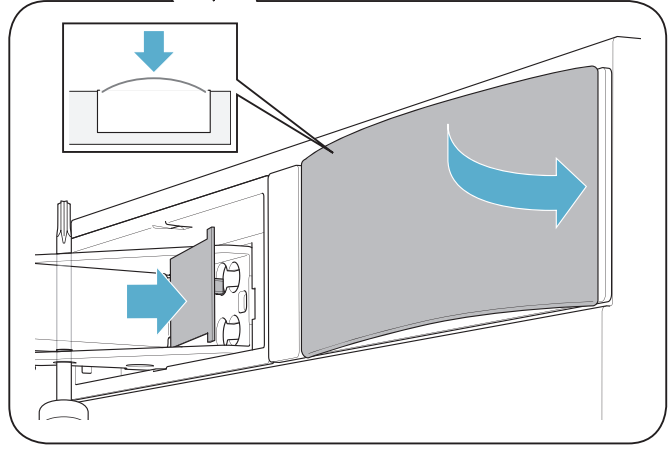
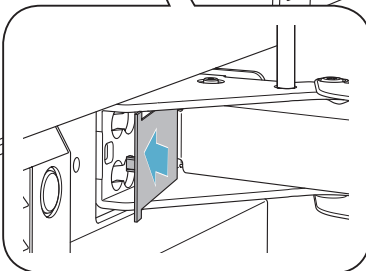
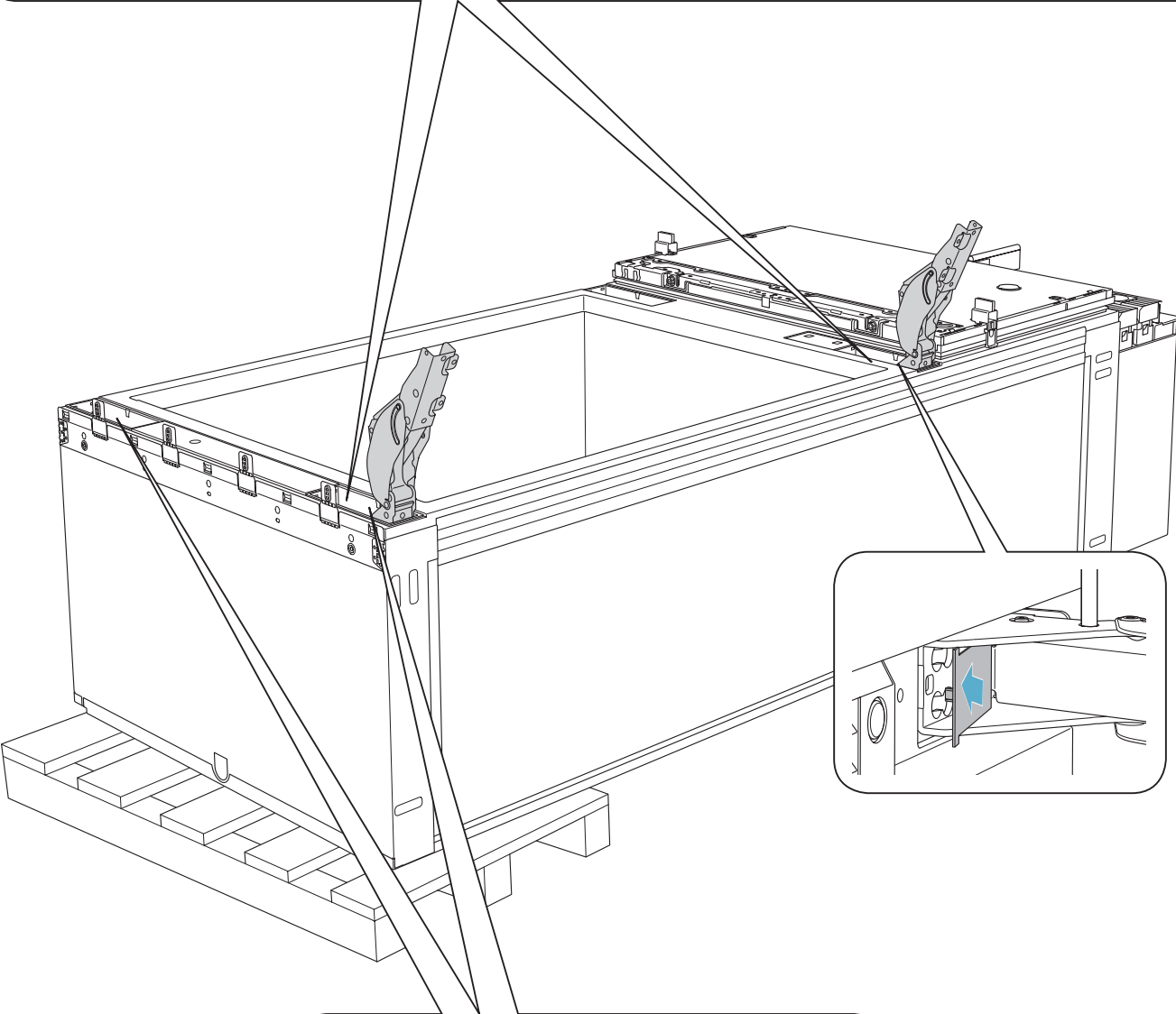
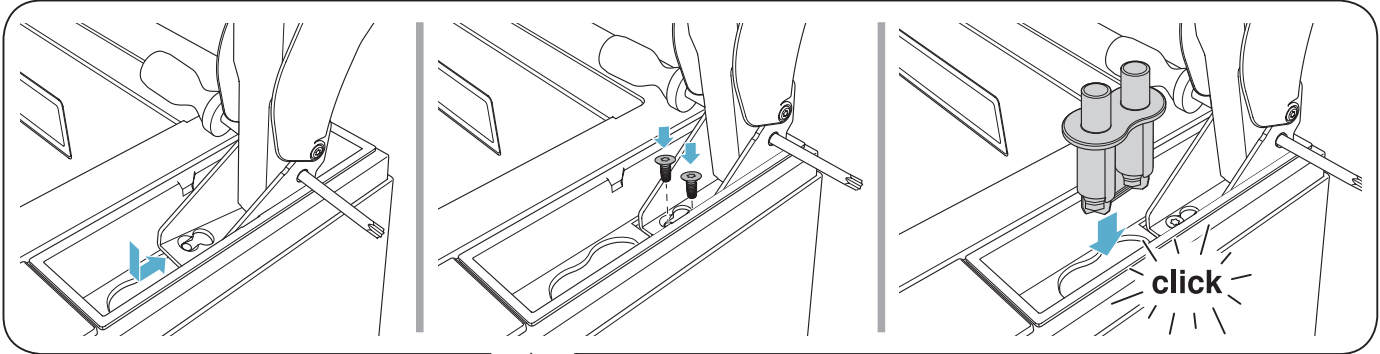


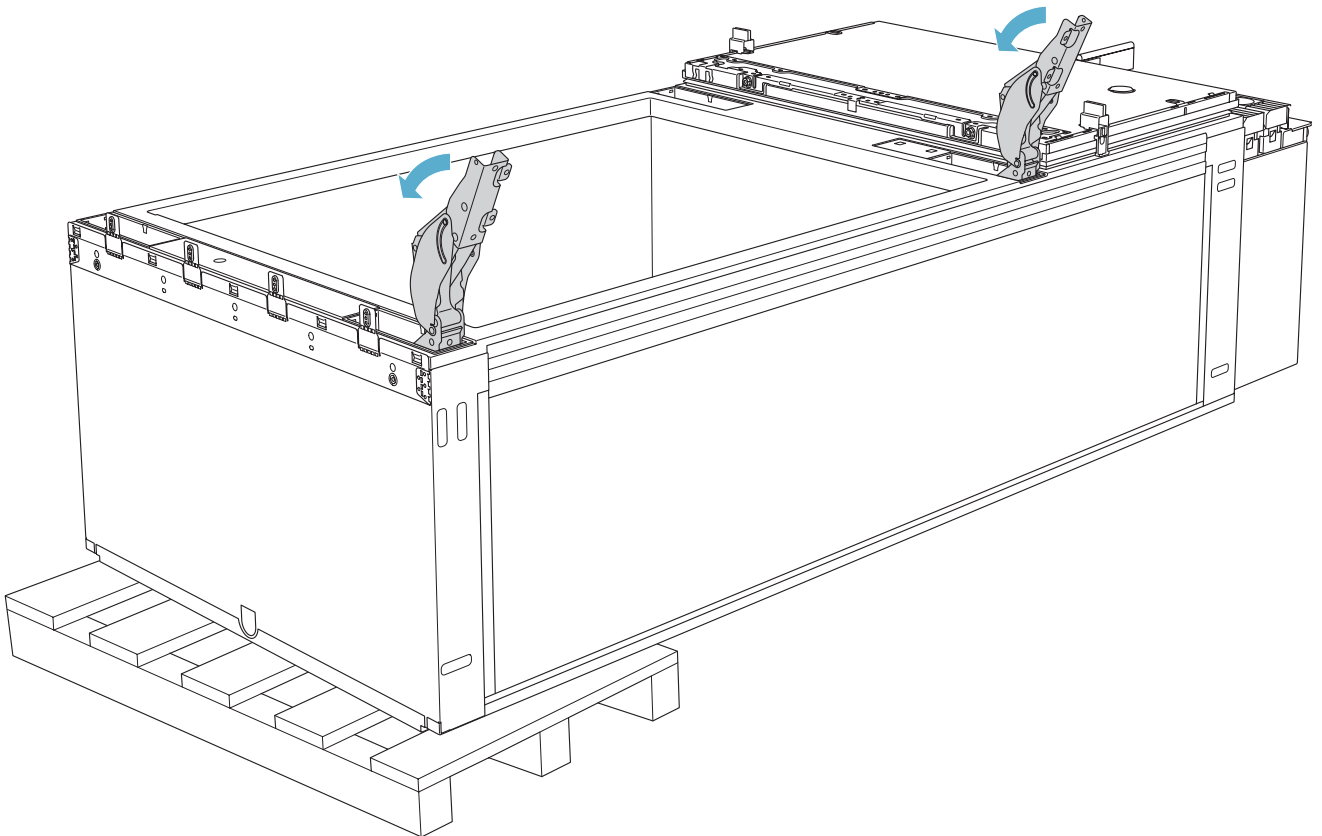
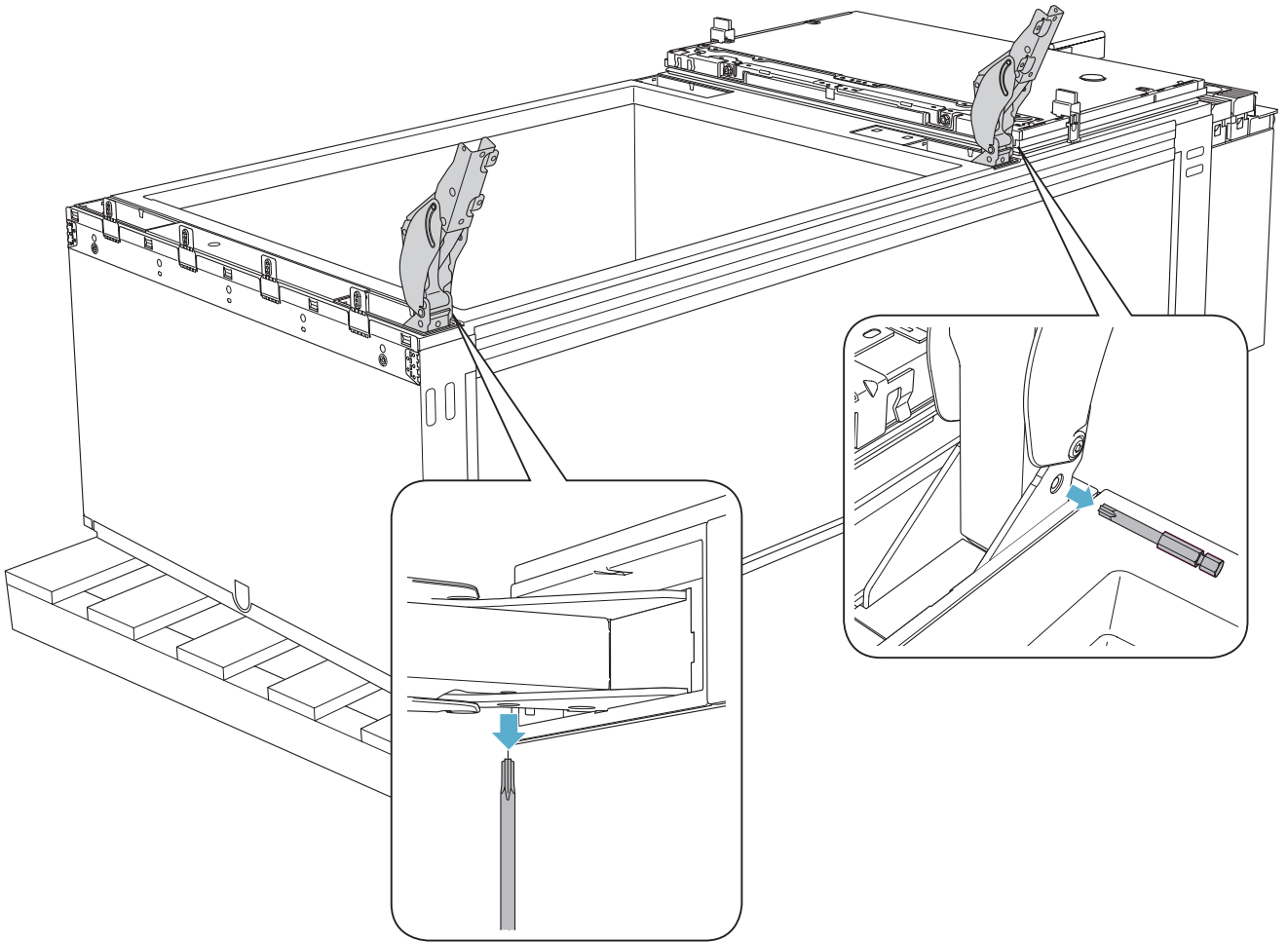
- A
- B
- C
- D



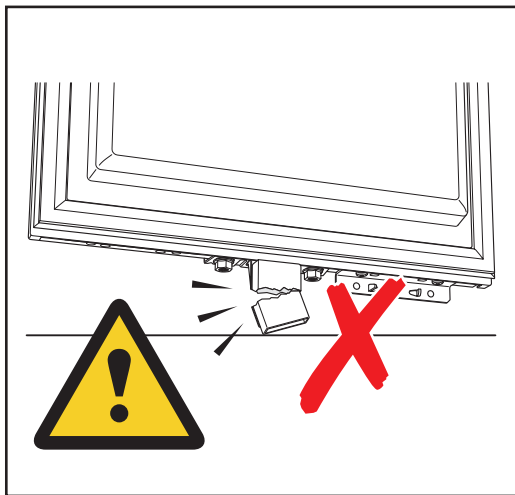
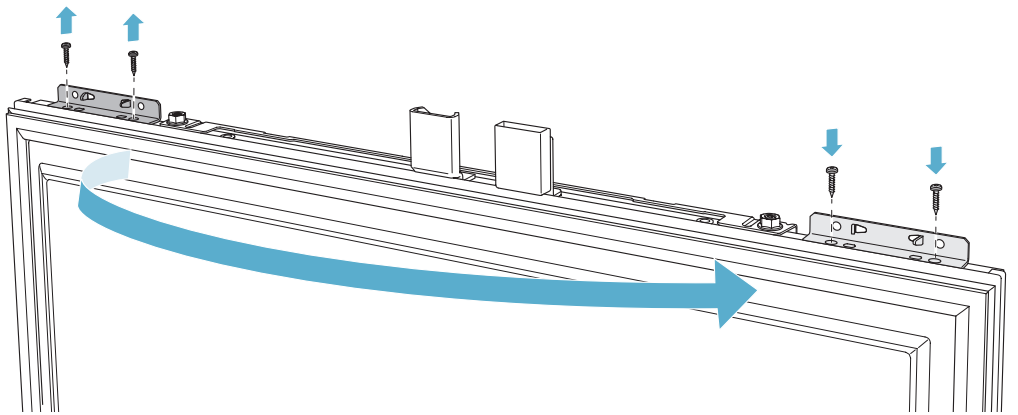
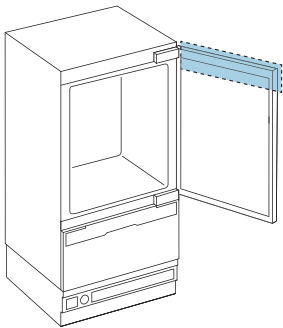
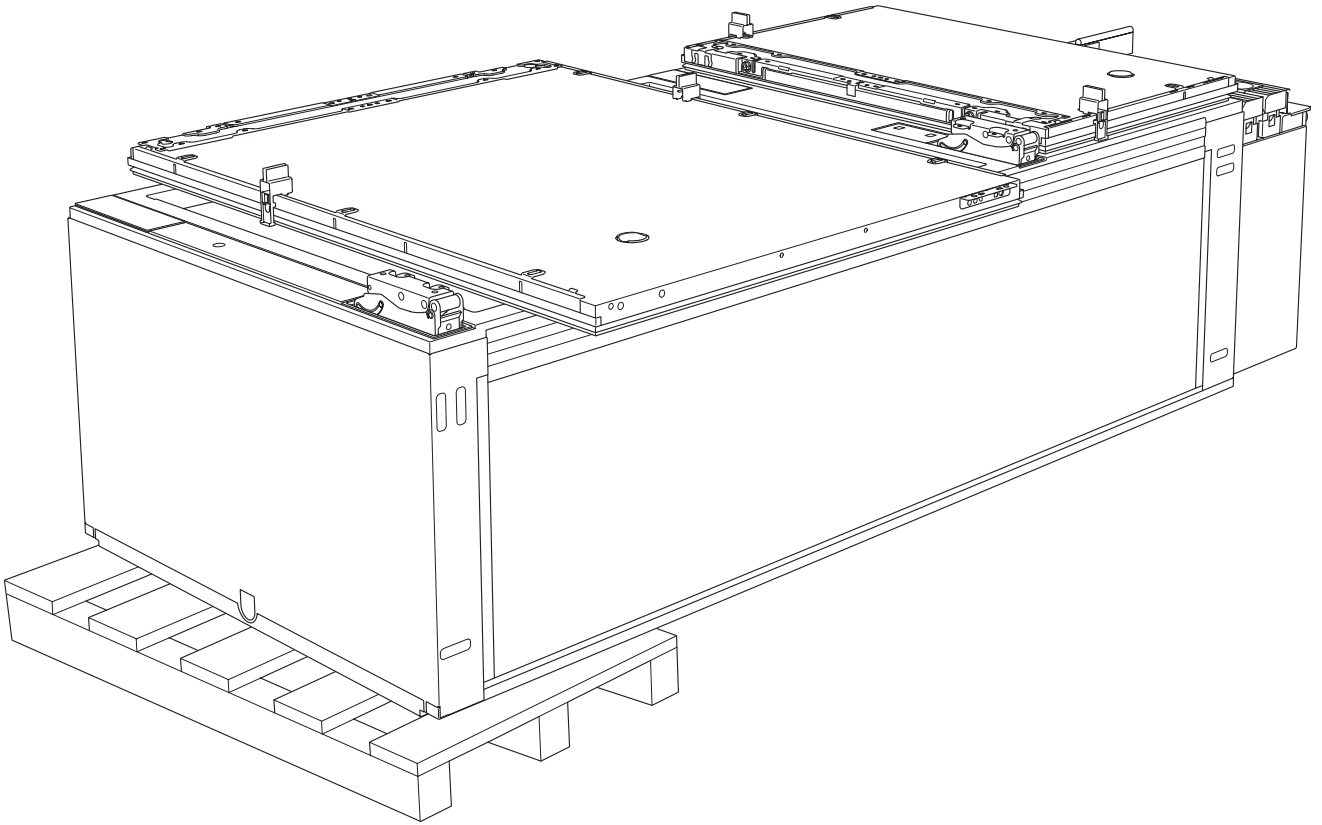


- A
- B
- C
- D





A
B
C
D

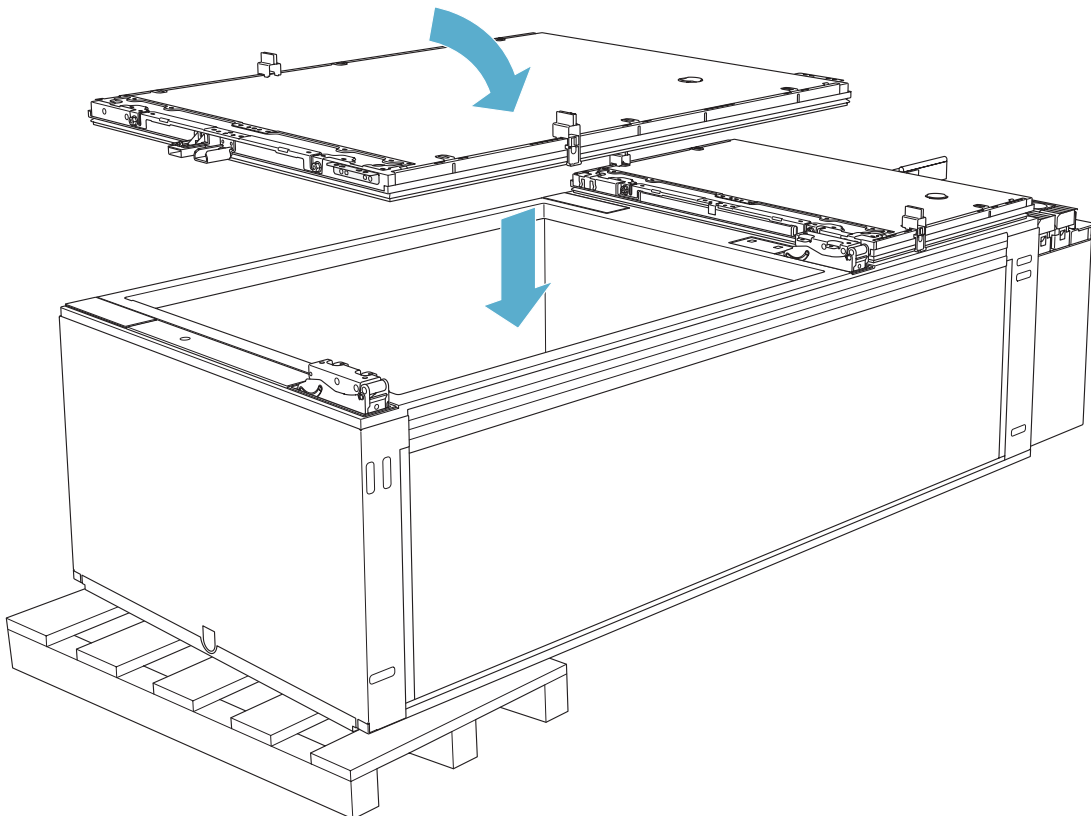
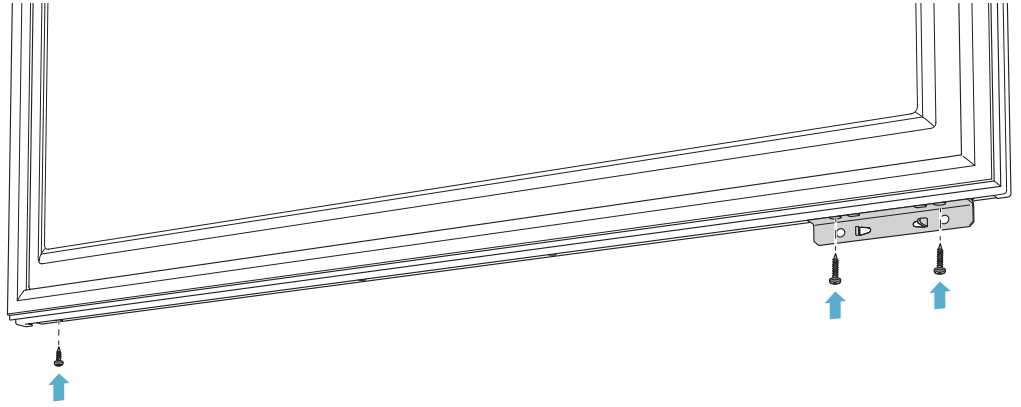
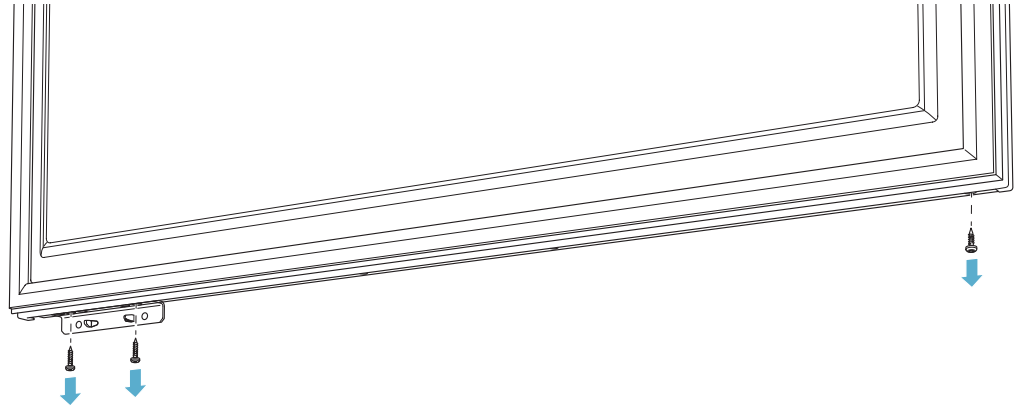
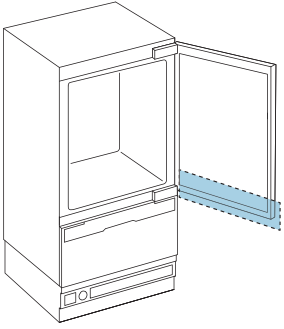


A

B

C

D



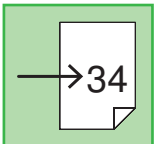
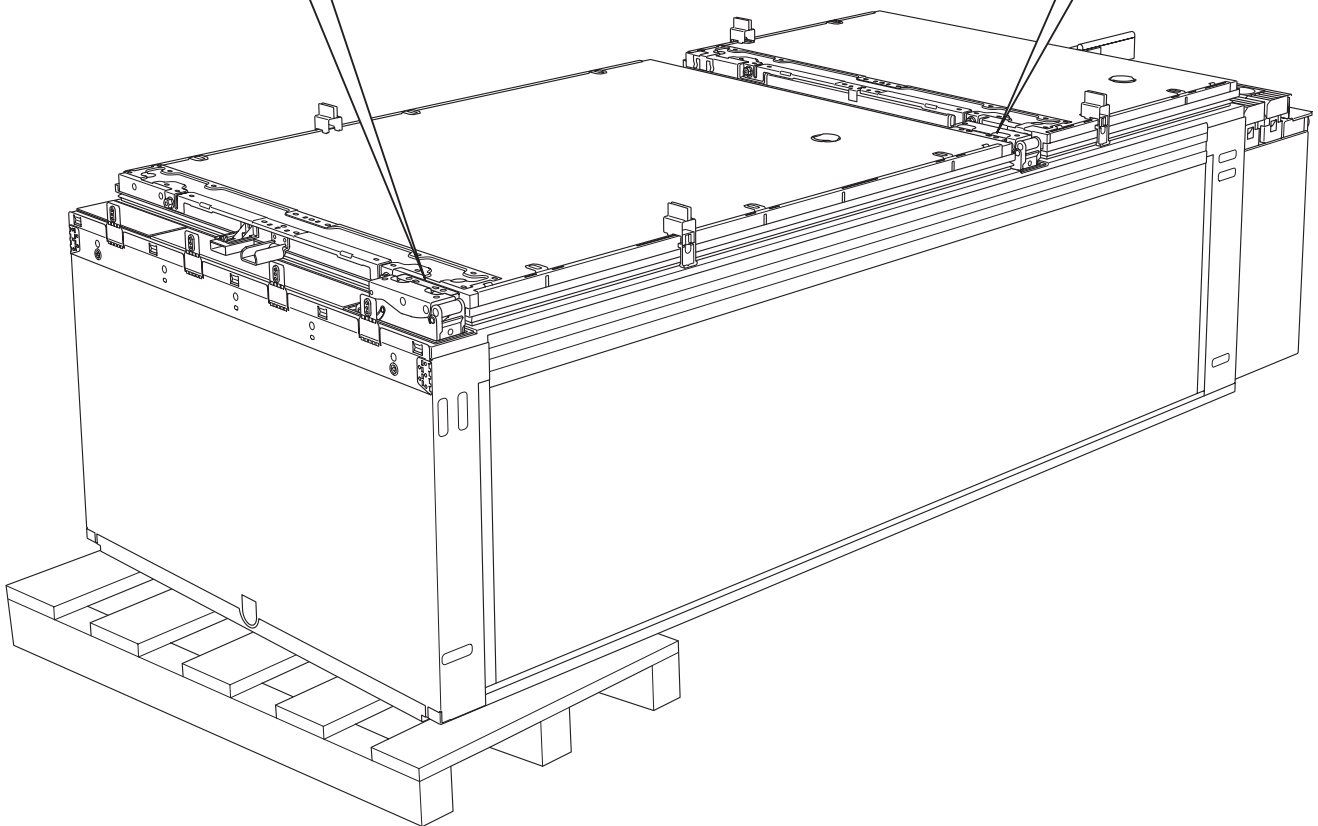
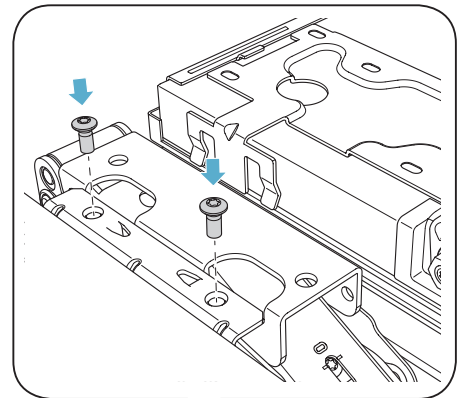
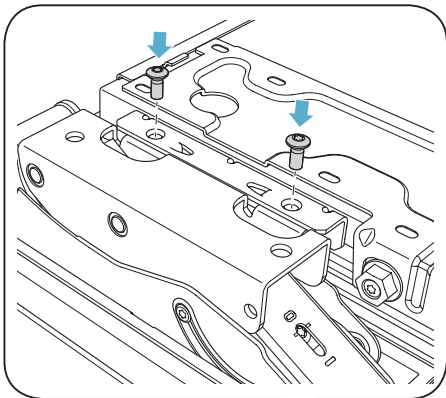
A

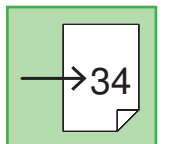
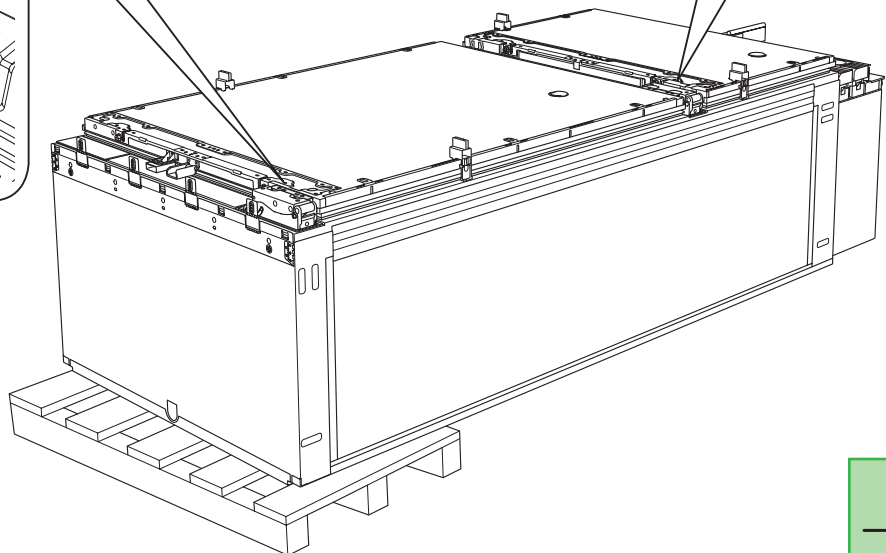
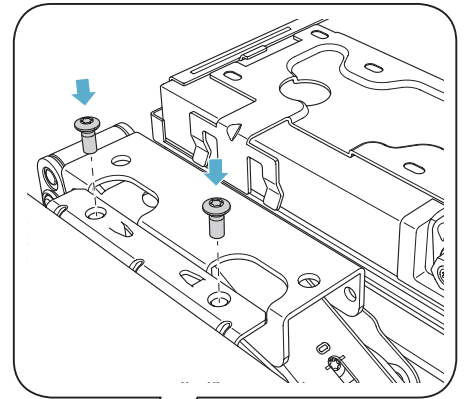
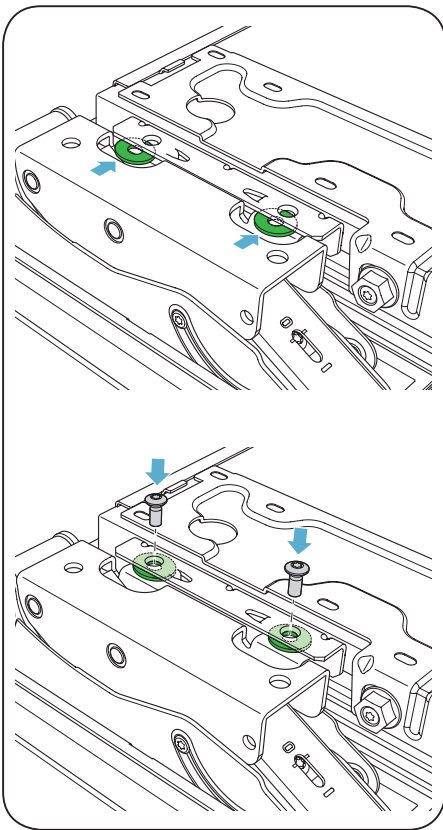
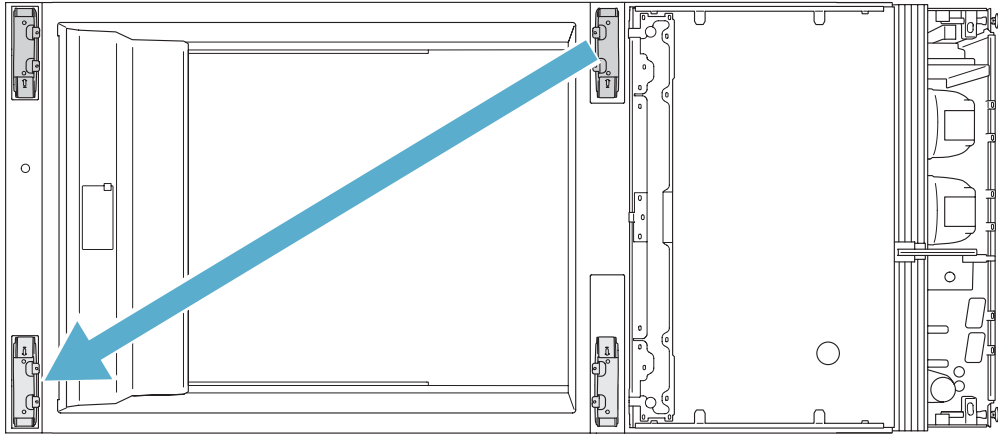
B

C

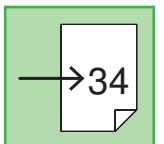
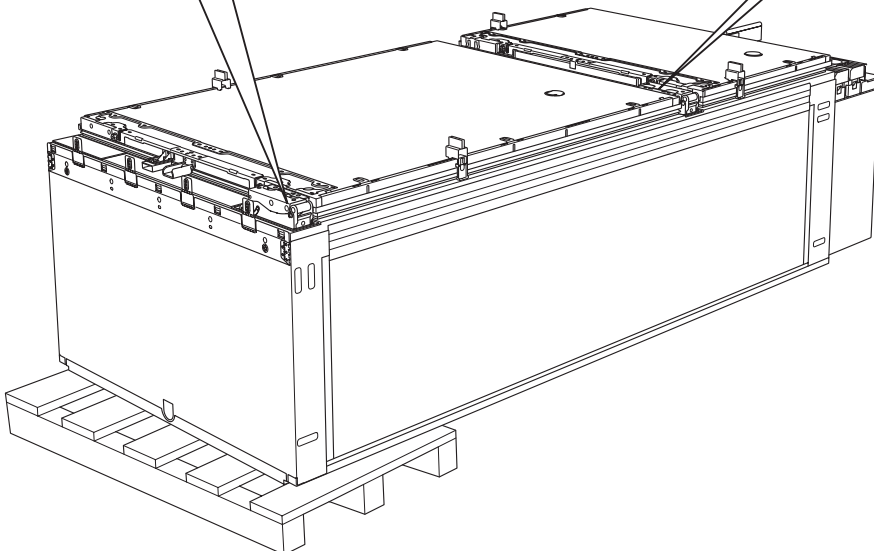
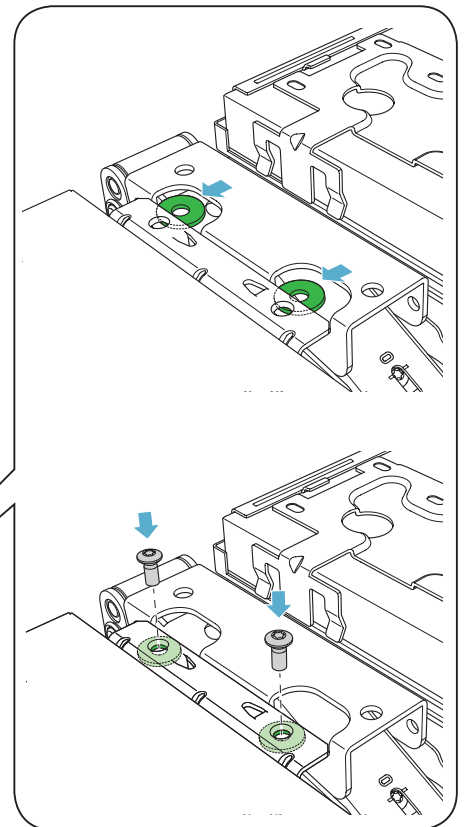
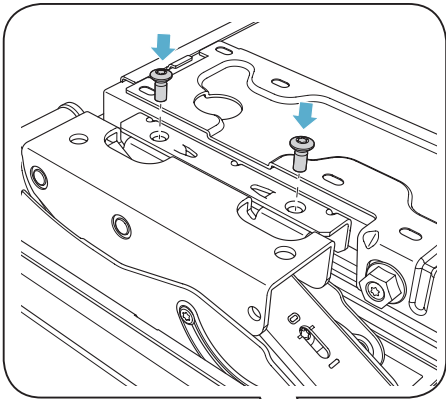
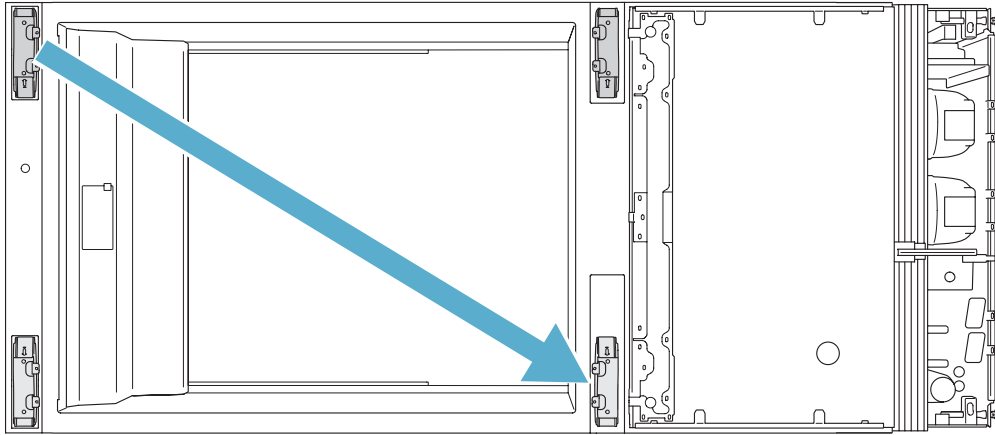
D

A





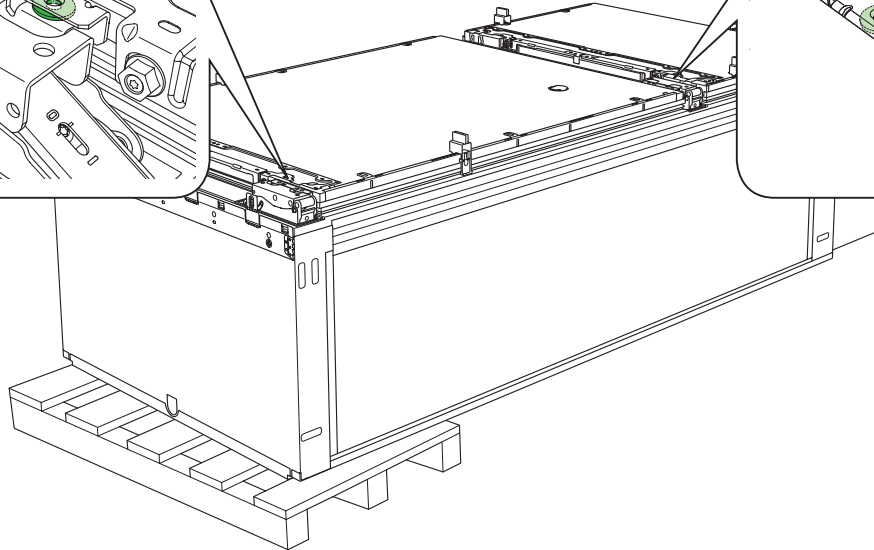
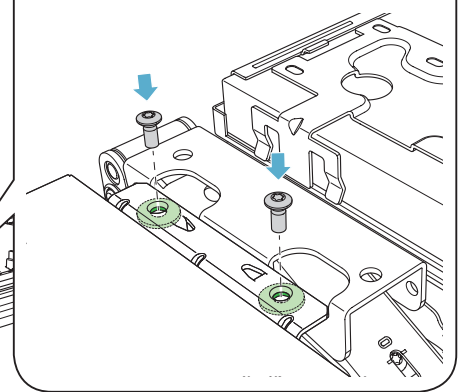
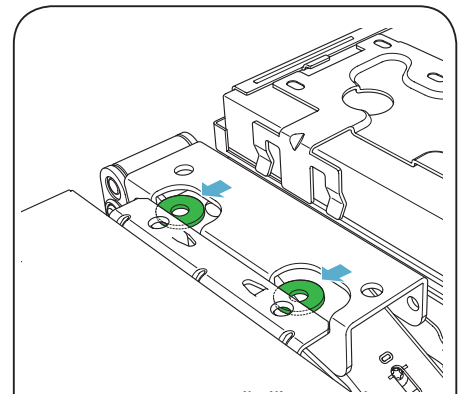
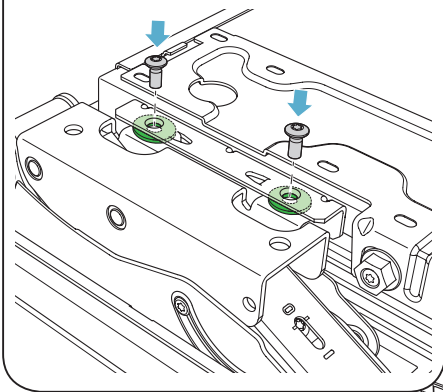
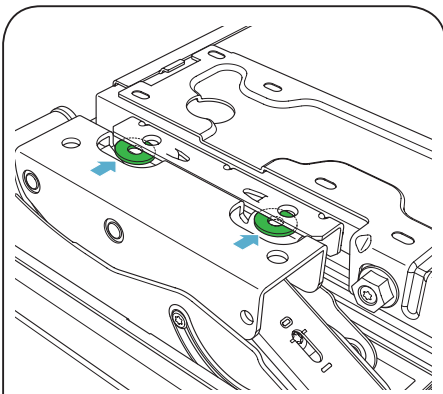
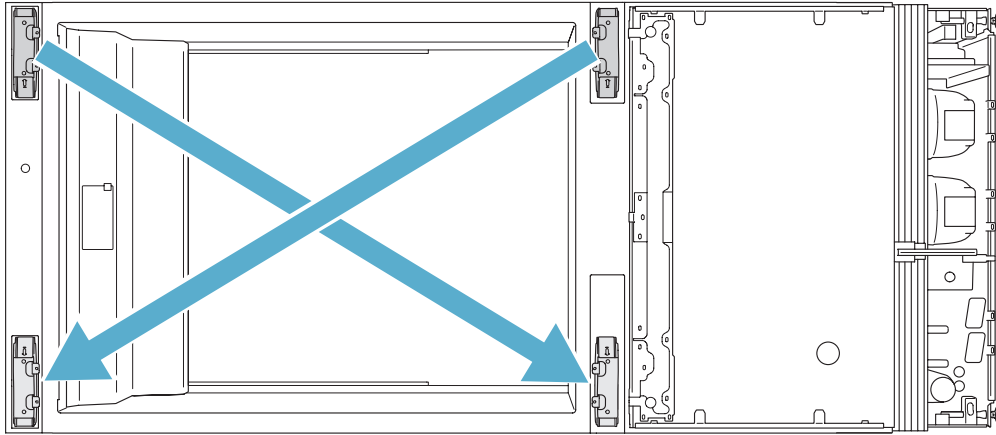
A
B
C
D



D

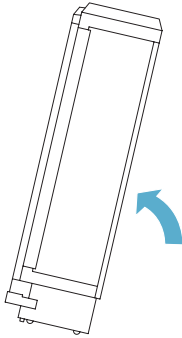
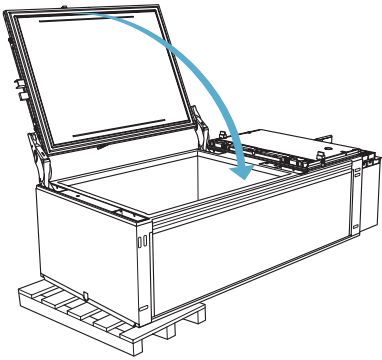
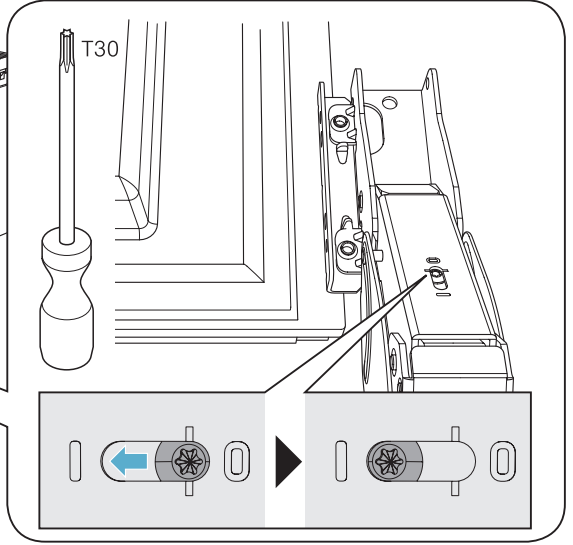
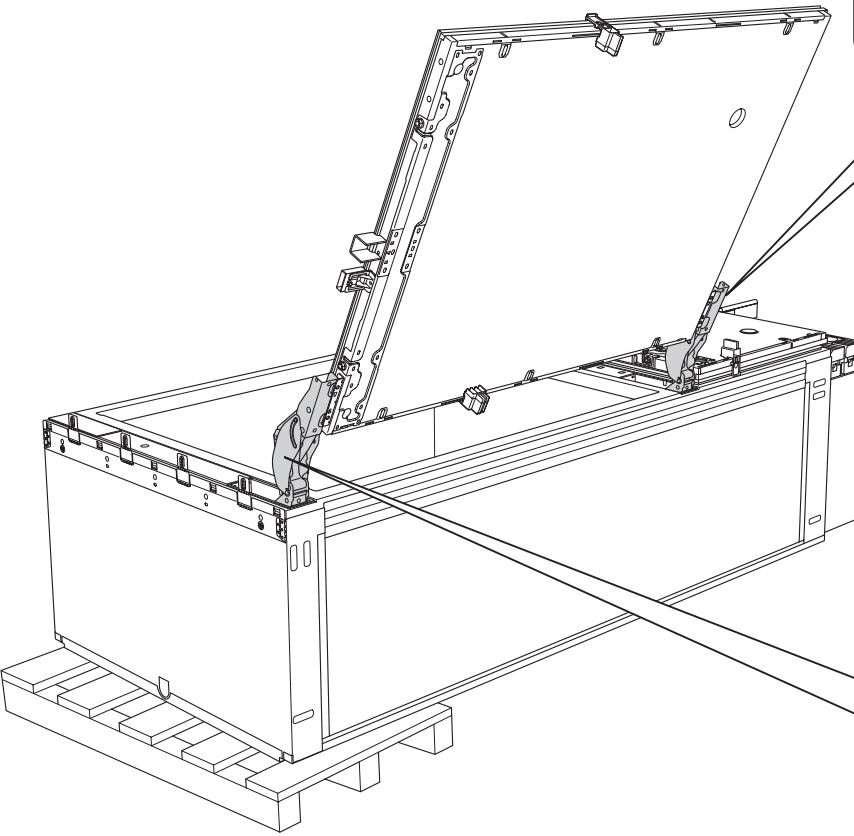
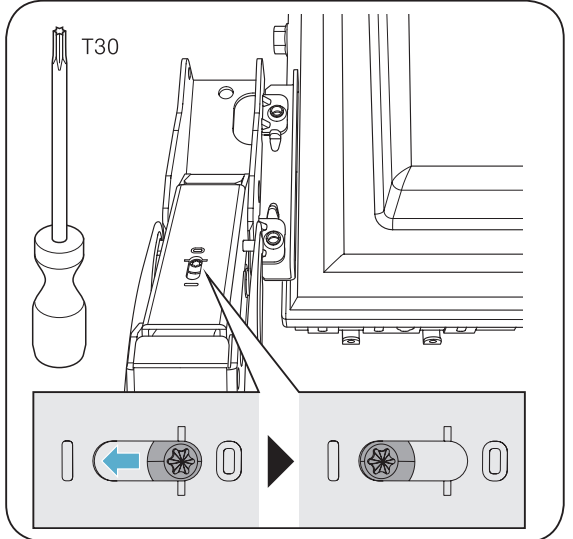
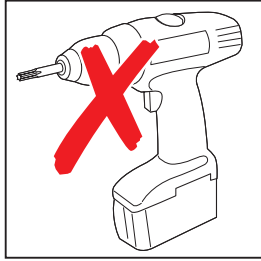
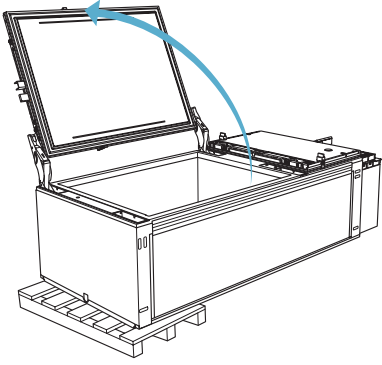


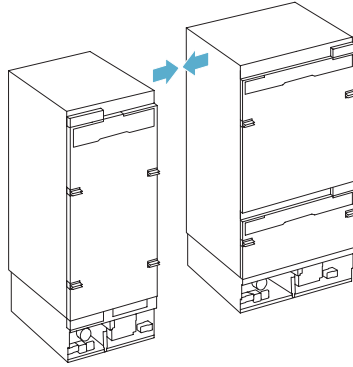
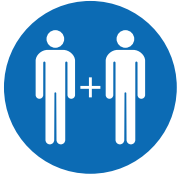
A
B
C
D



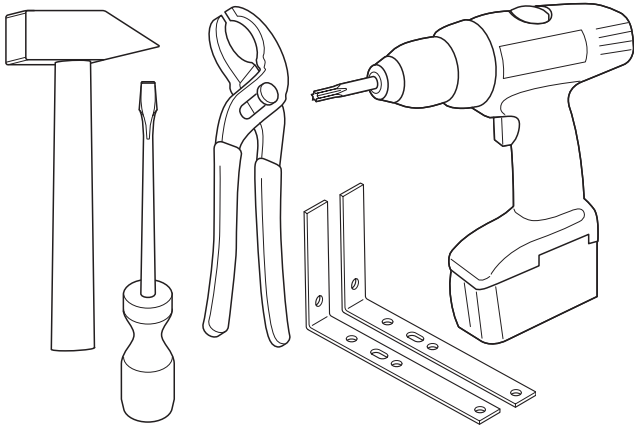
→ 34

A
B
C
D

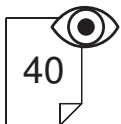
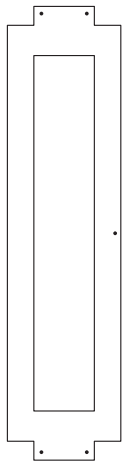
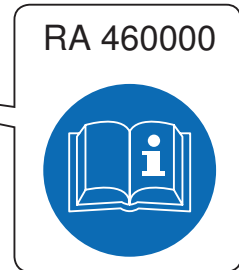
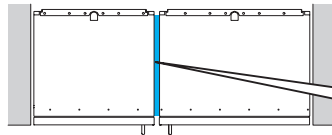
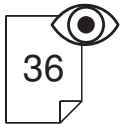
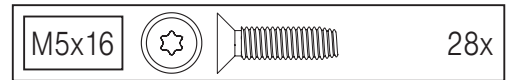
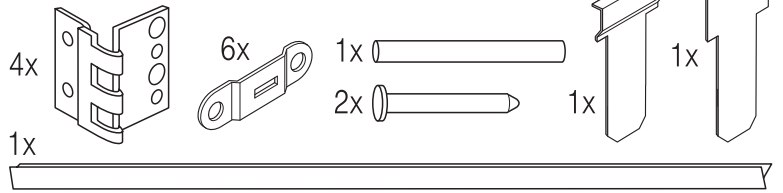




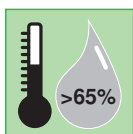
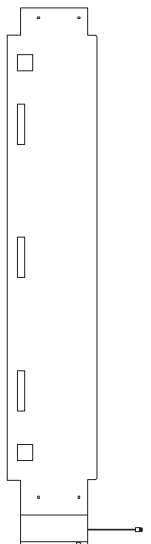
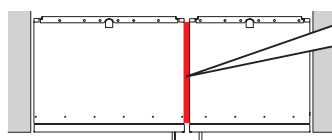
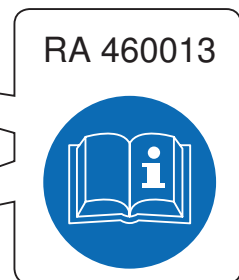
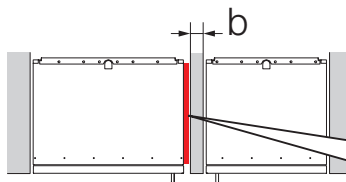
A
B
C
D



RA460000



$\frac{5}{8}'' \leq b < 6\frac{1}{4}''$
(16 mm \leq b < 160 mm)

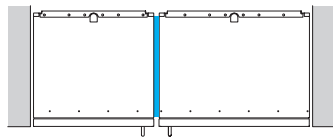


A

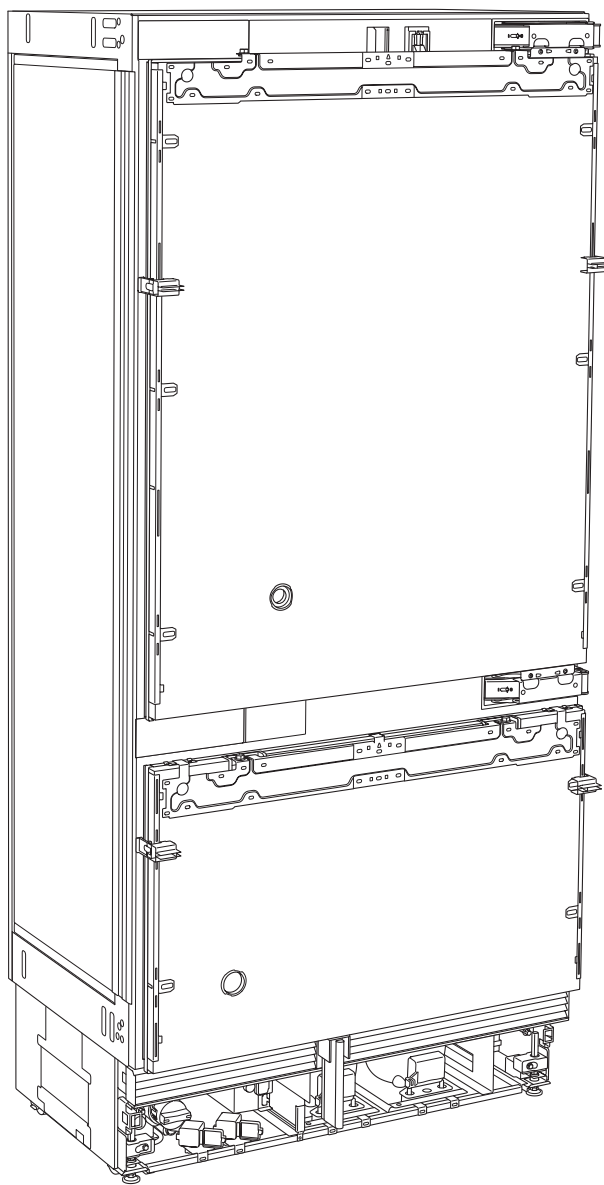
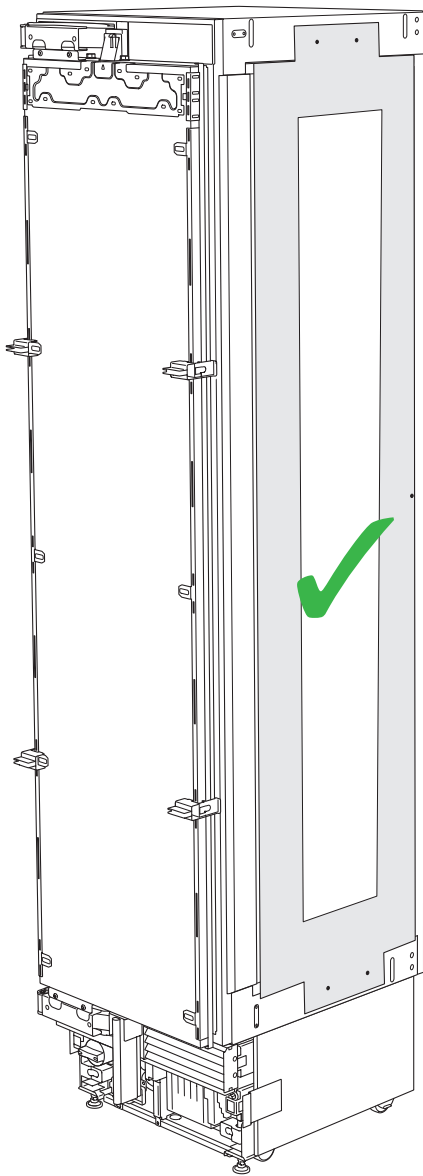
B


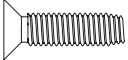
C

D

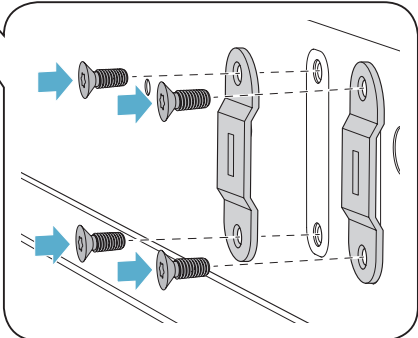
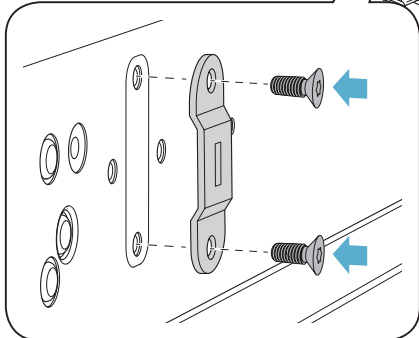
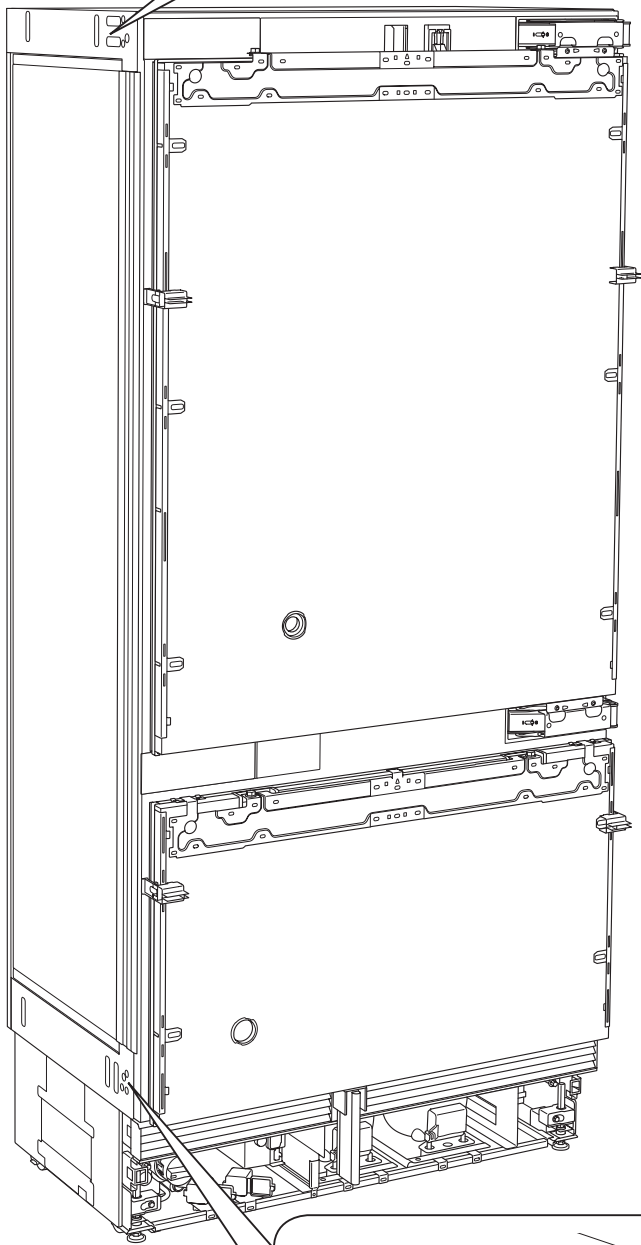
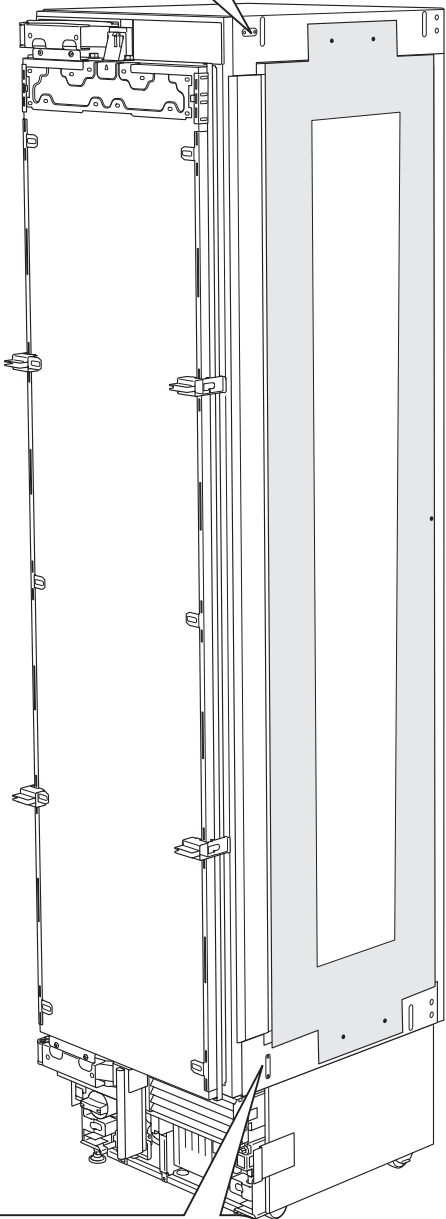
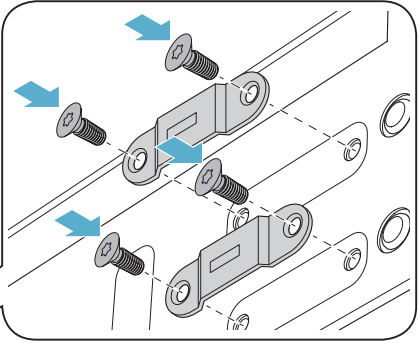
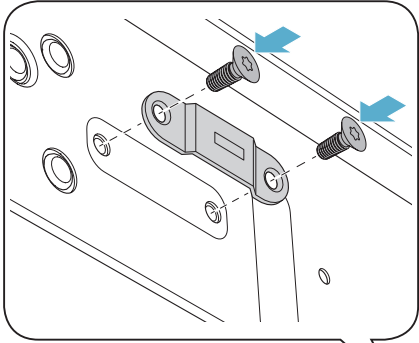


RA 46000



M5x16   12x

A
B
C
D


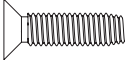


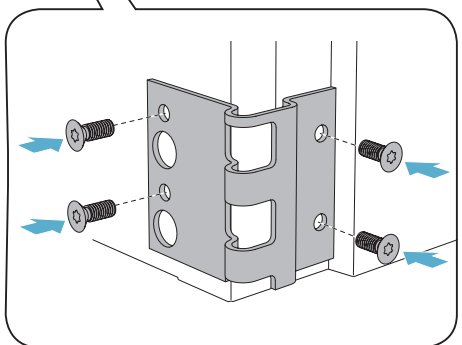
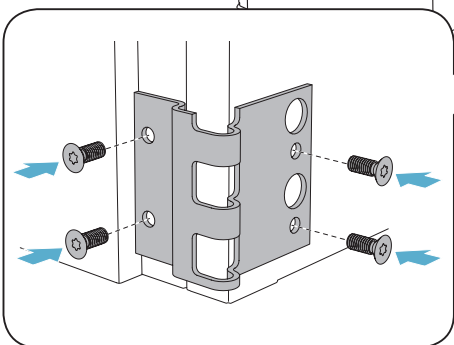
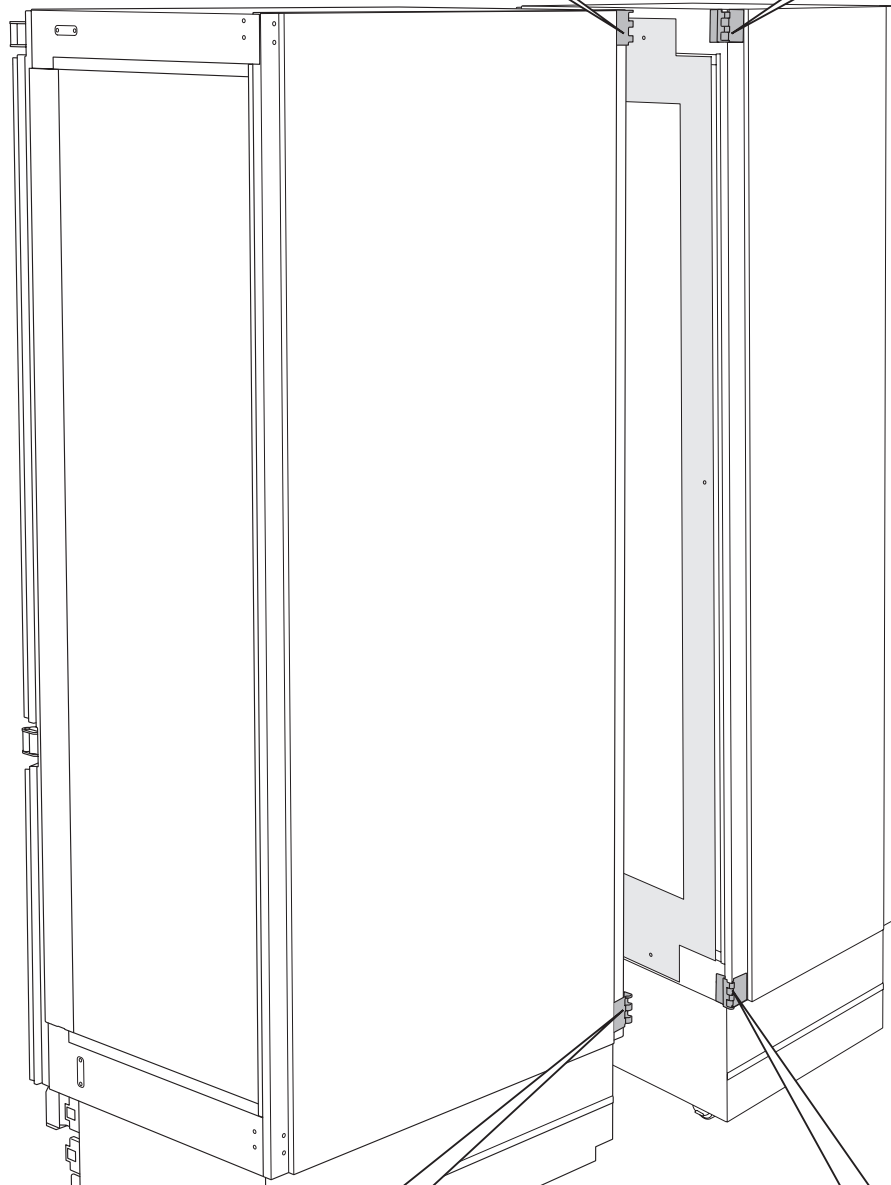
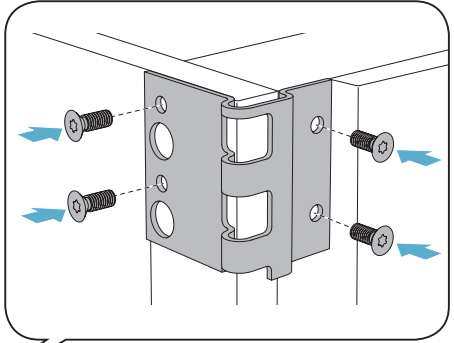
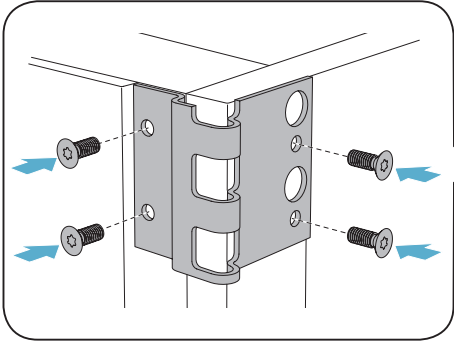
A

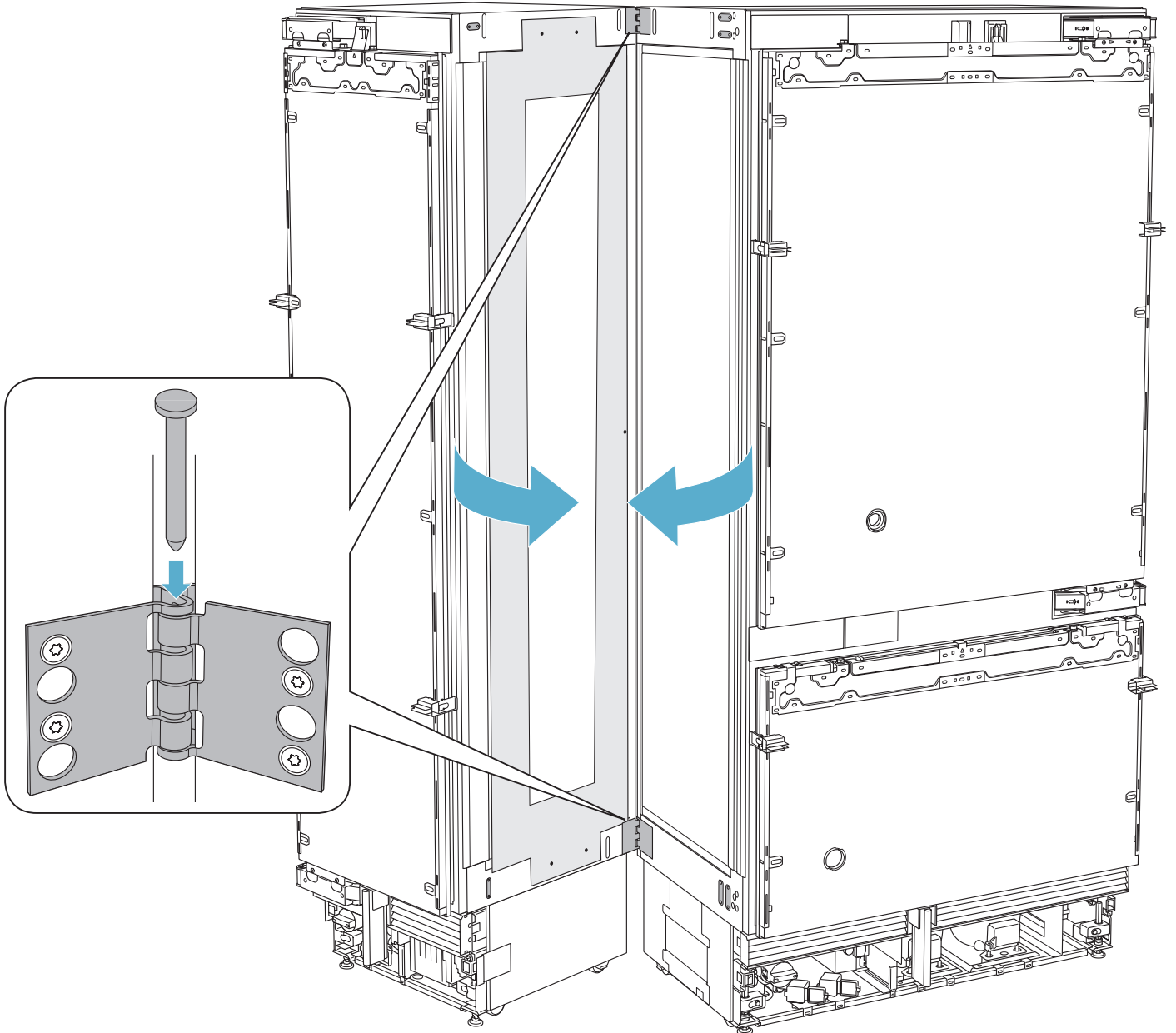
B

C

D

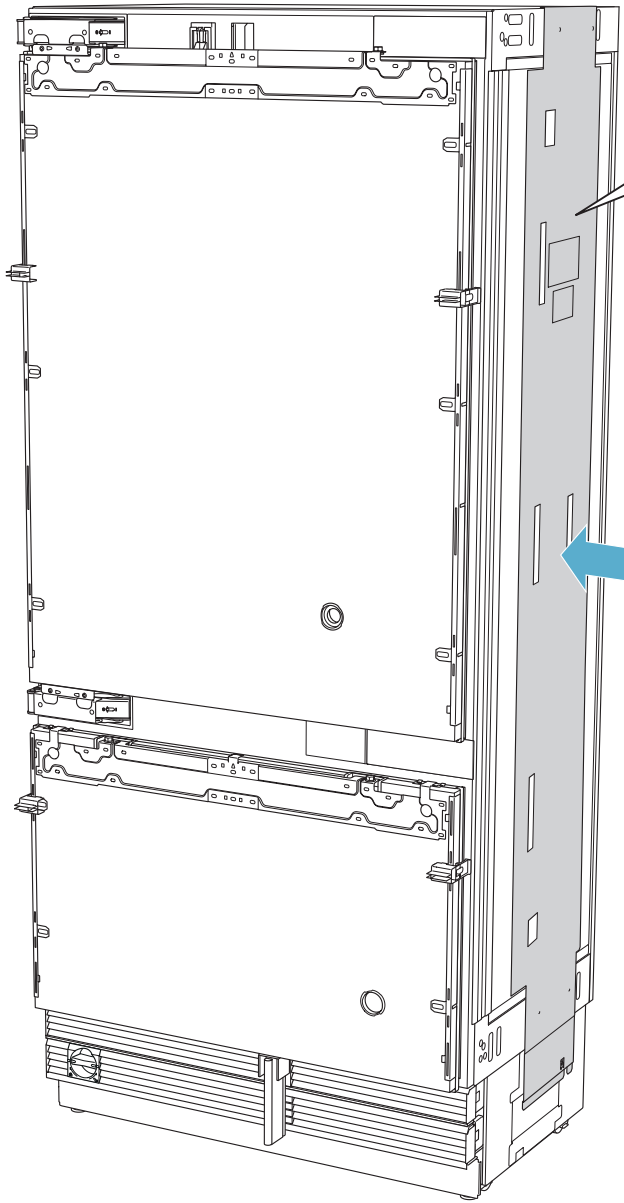
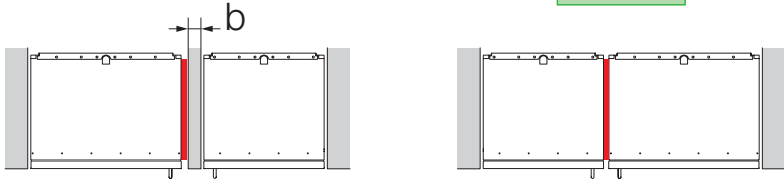
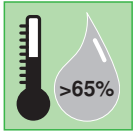
M5x16   16x



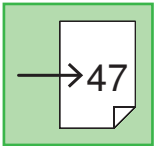
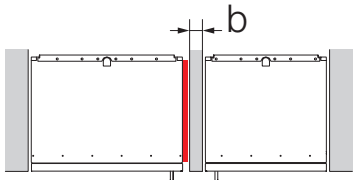




A
B
C
D

$\frac{5}{8}'' \leq b < 6\frac{1}{4}''$
(16 mm \leq b < 160 mm)

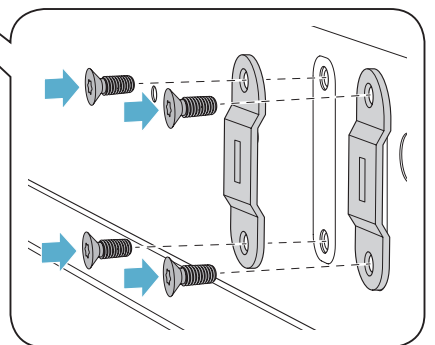
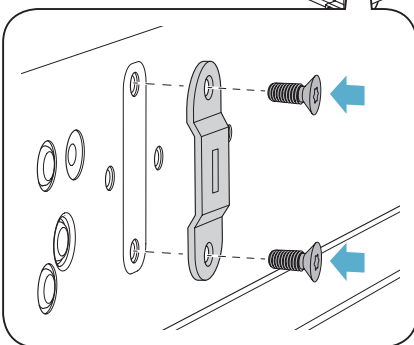
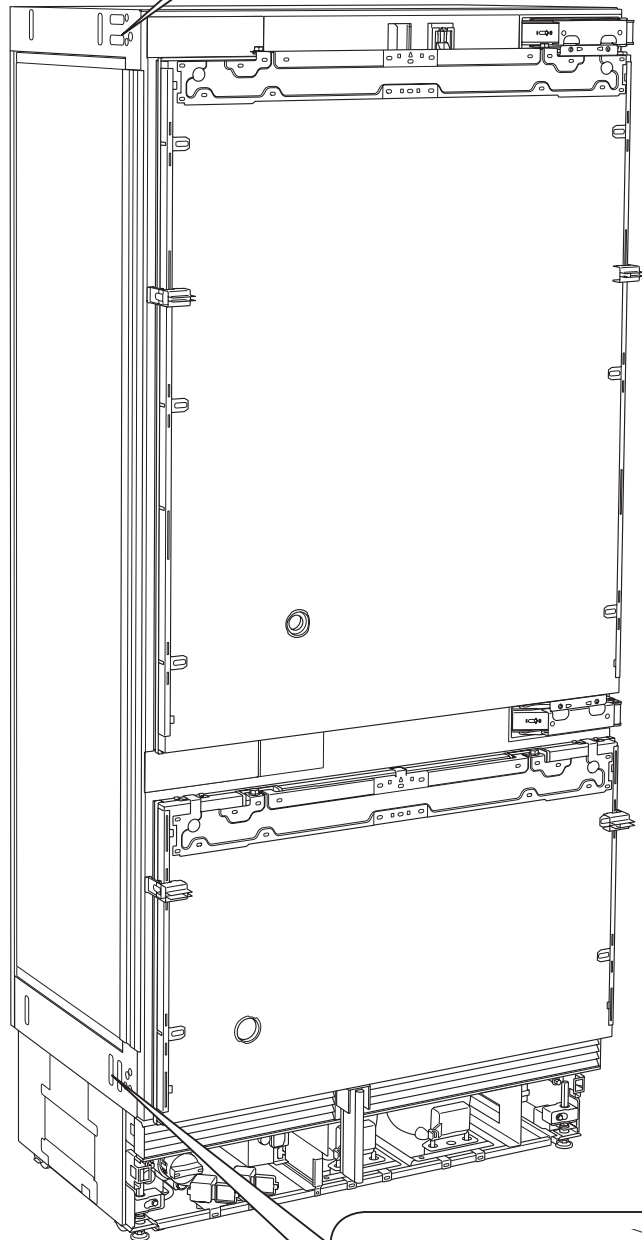
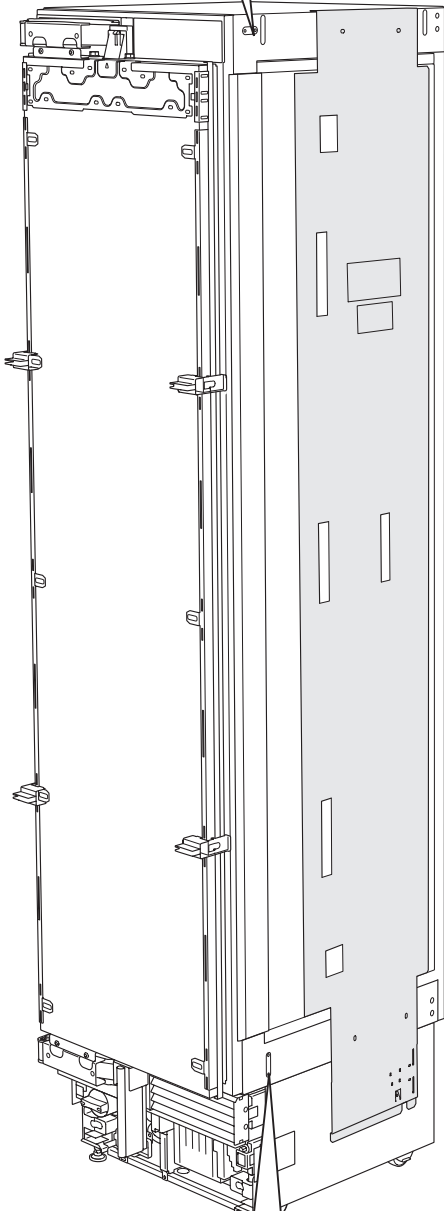
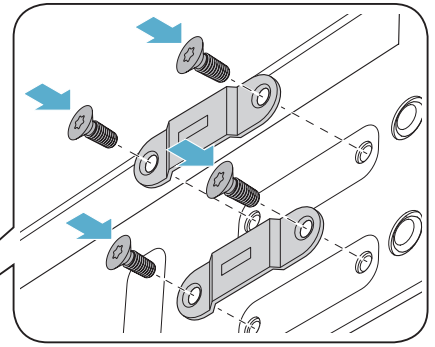
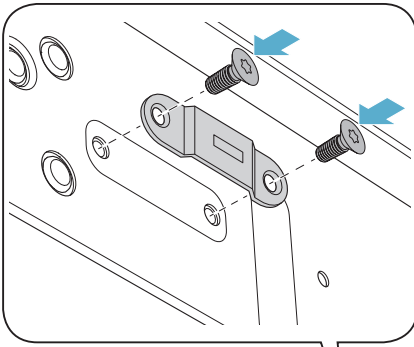


RA 460013



M5x16   12x

A
B
C
D





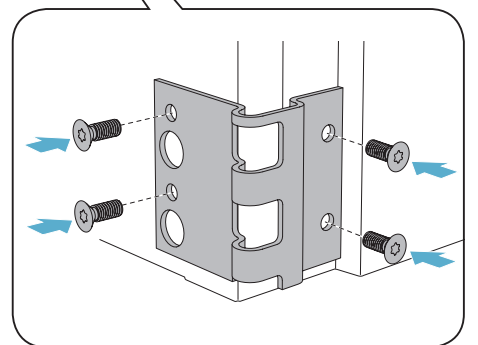
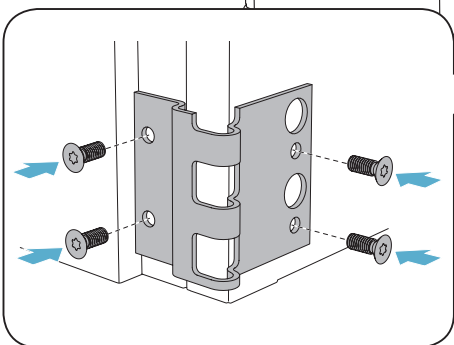
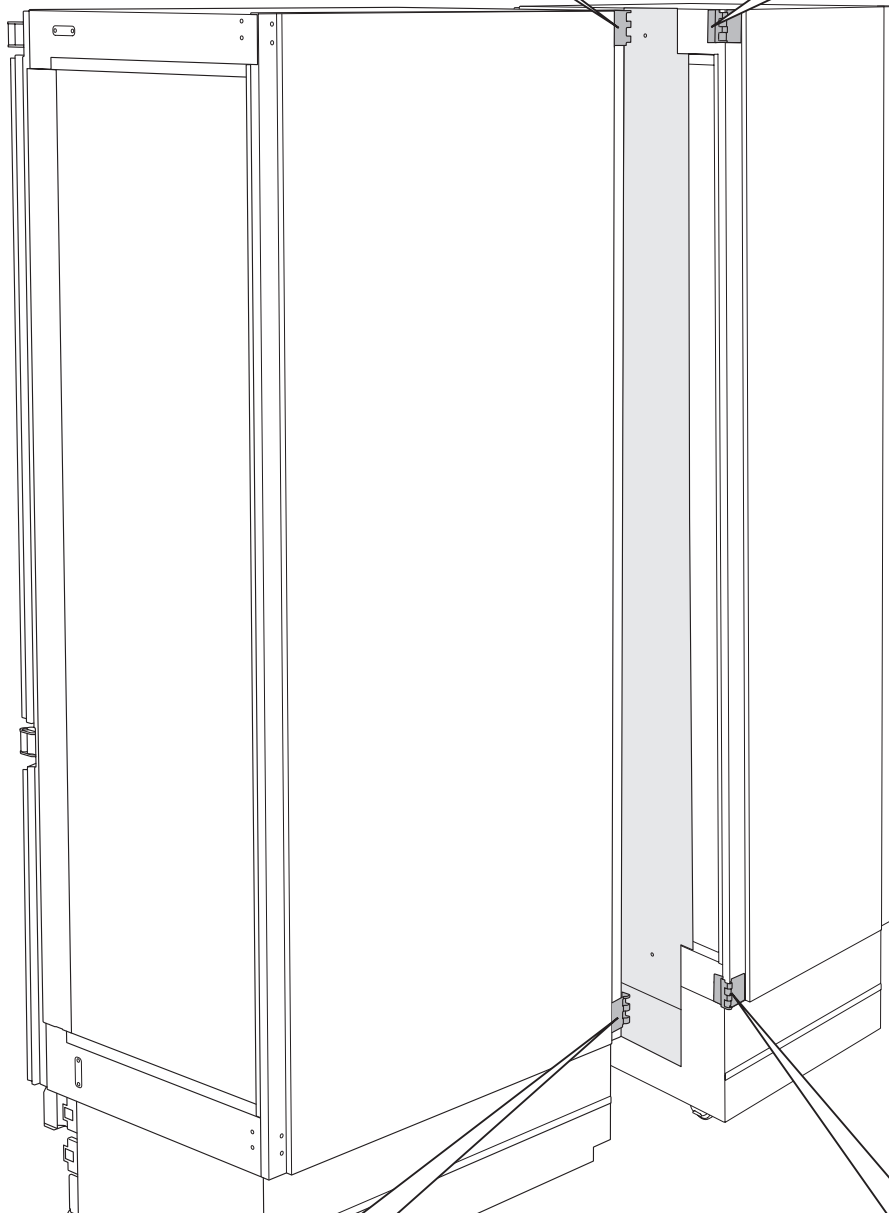
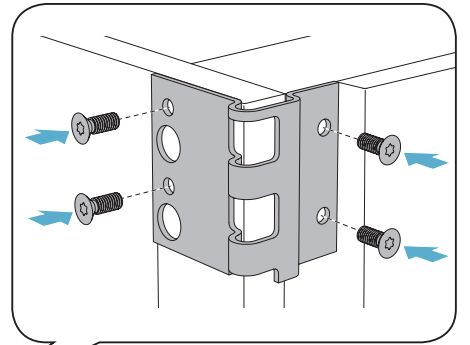
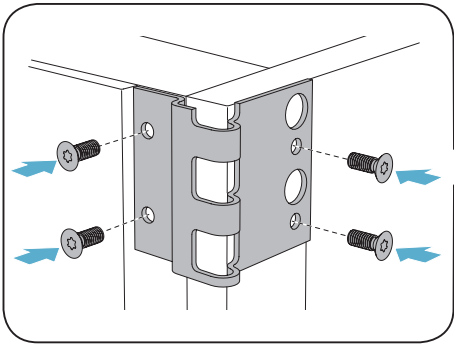
A

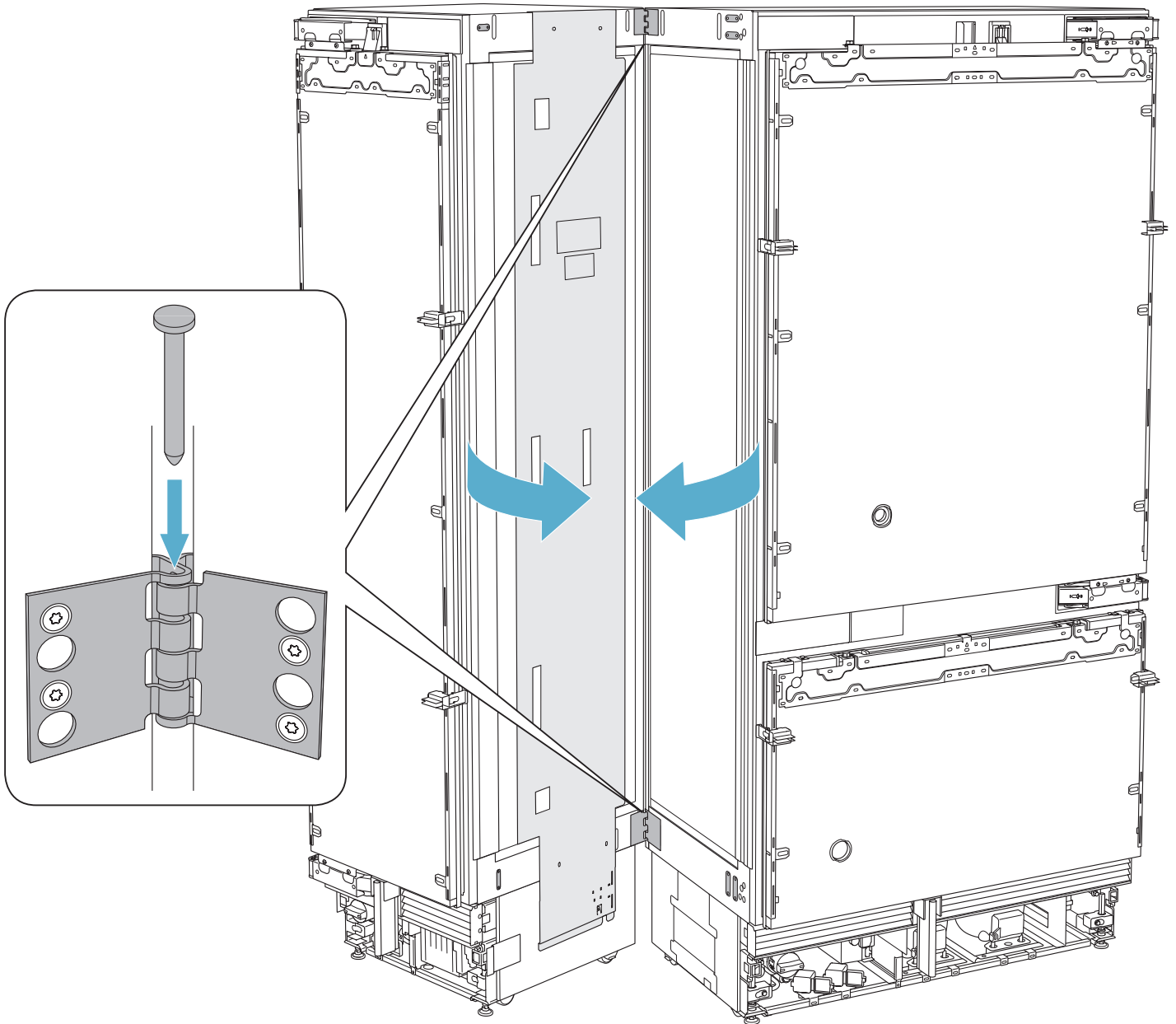
B

C

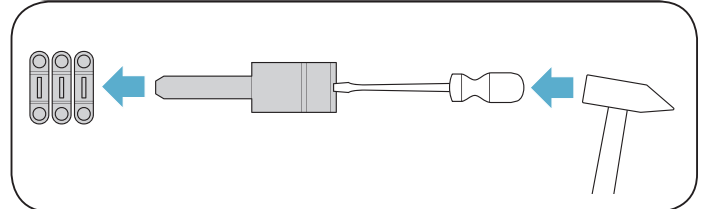
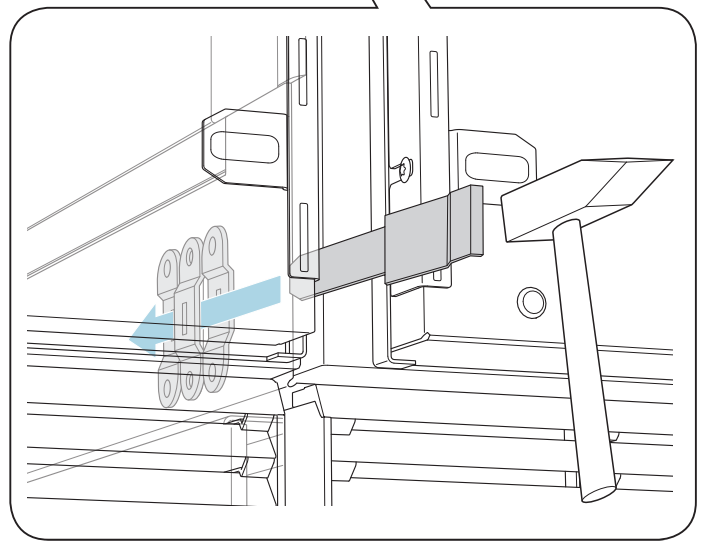
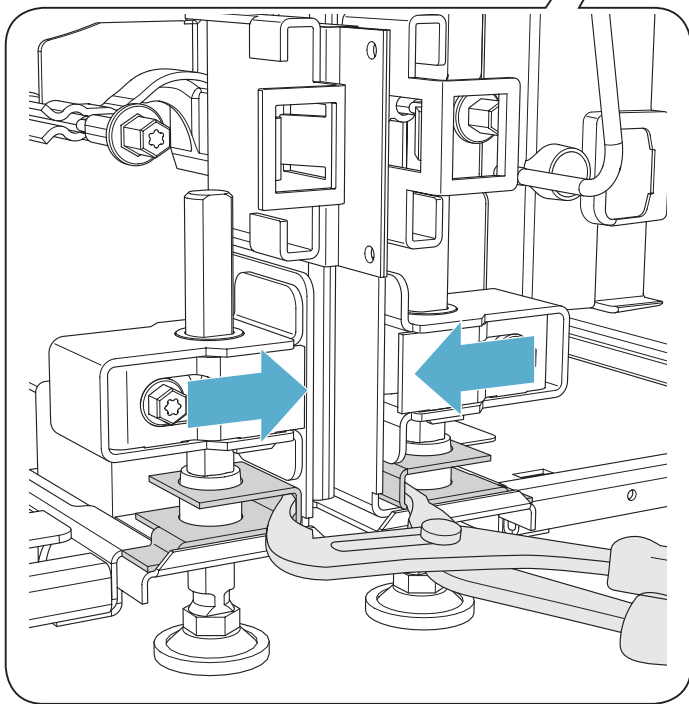
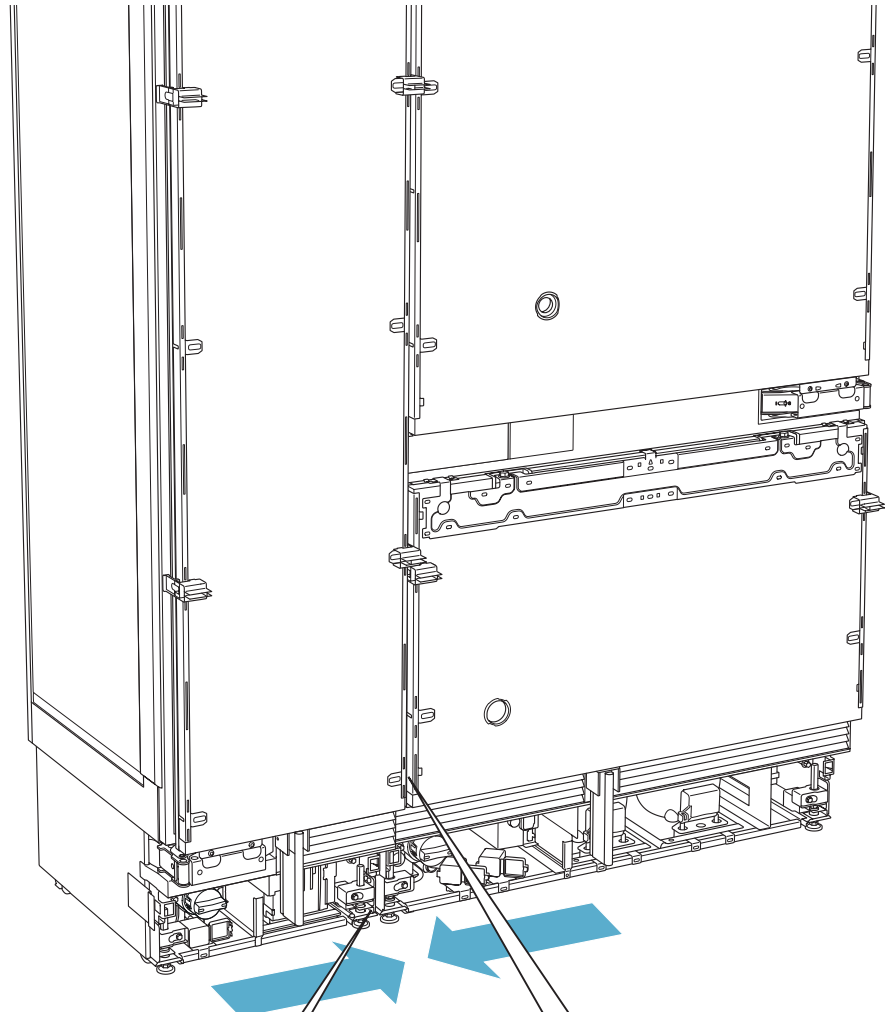
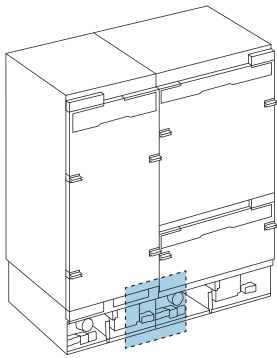
D

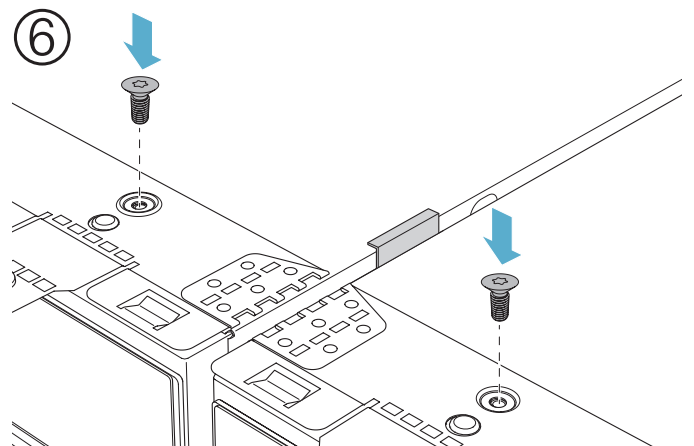
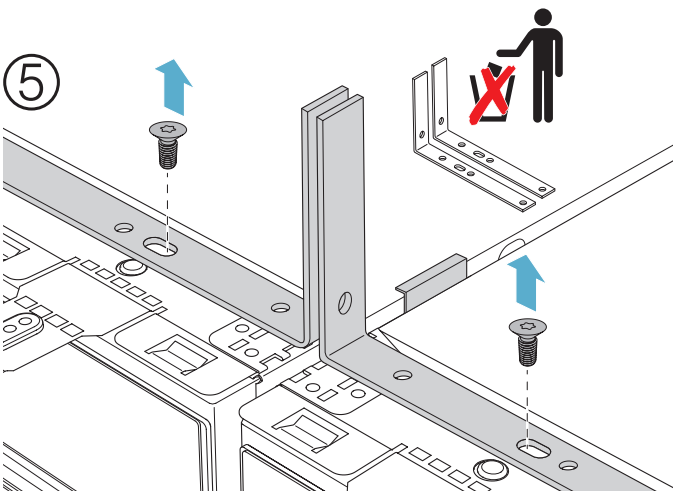
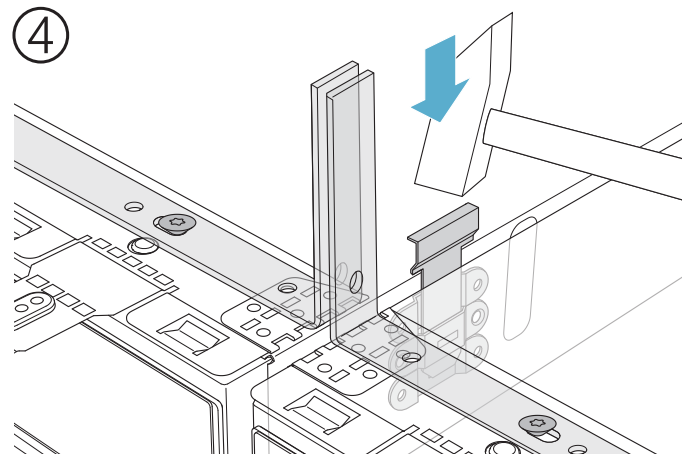
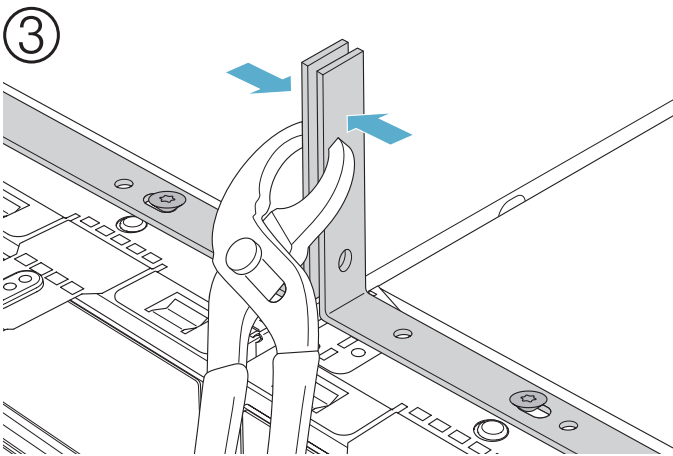
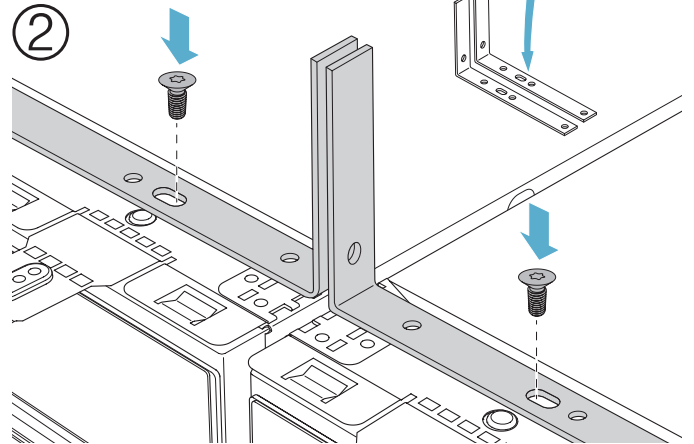
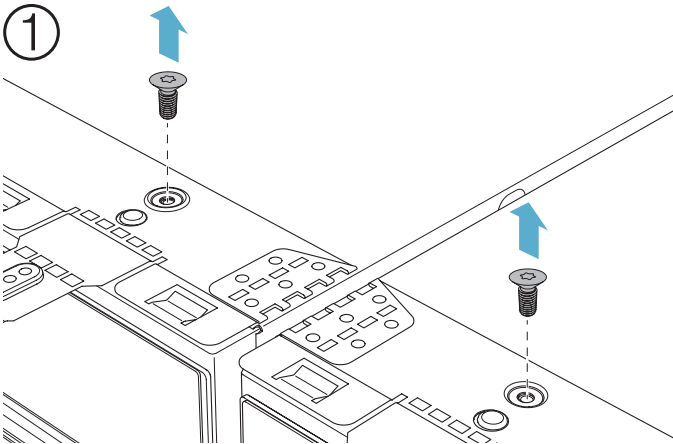
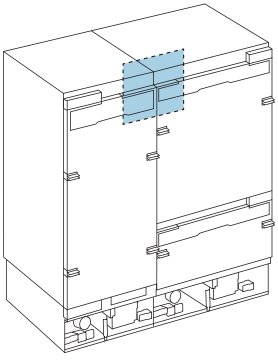
M5x16   16x

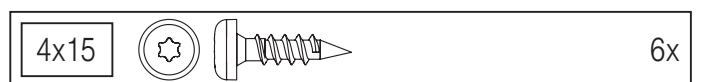
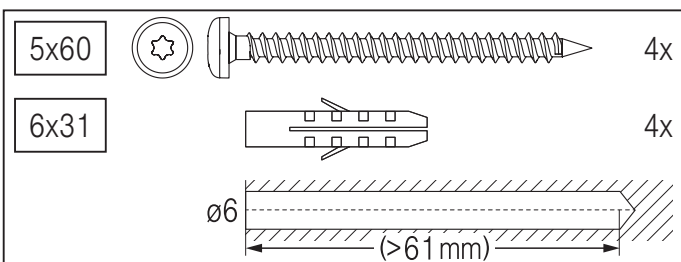
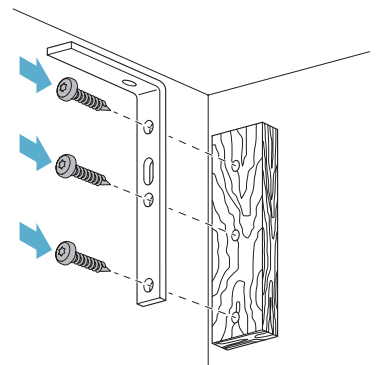
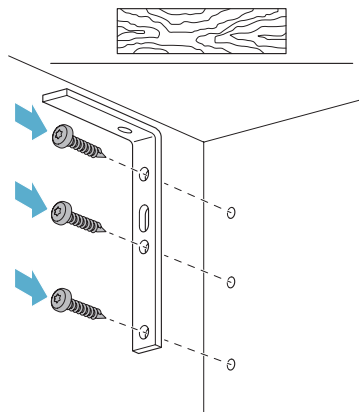
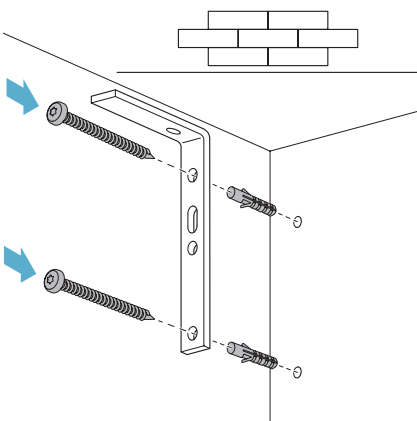
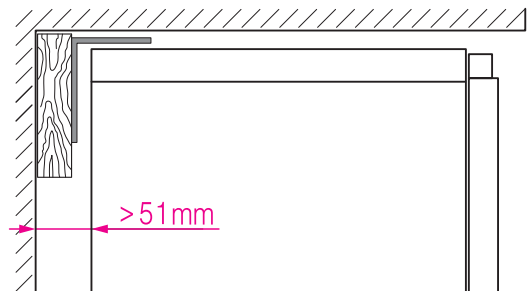
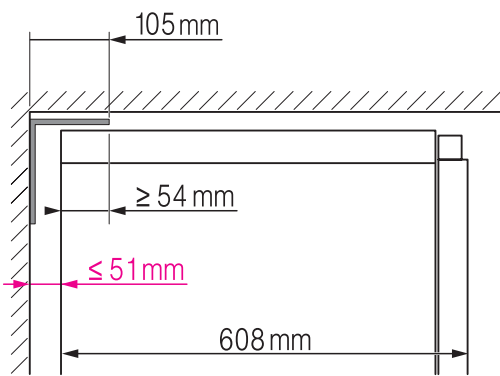
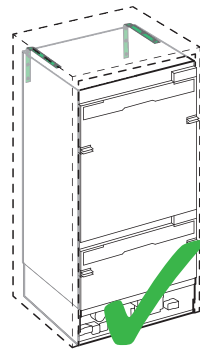
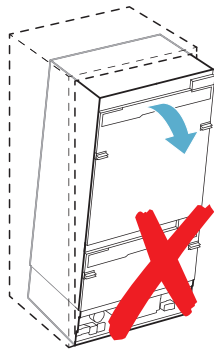
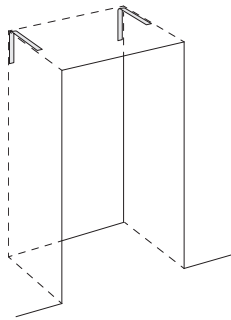


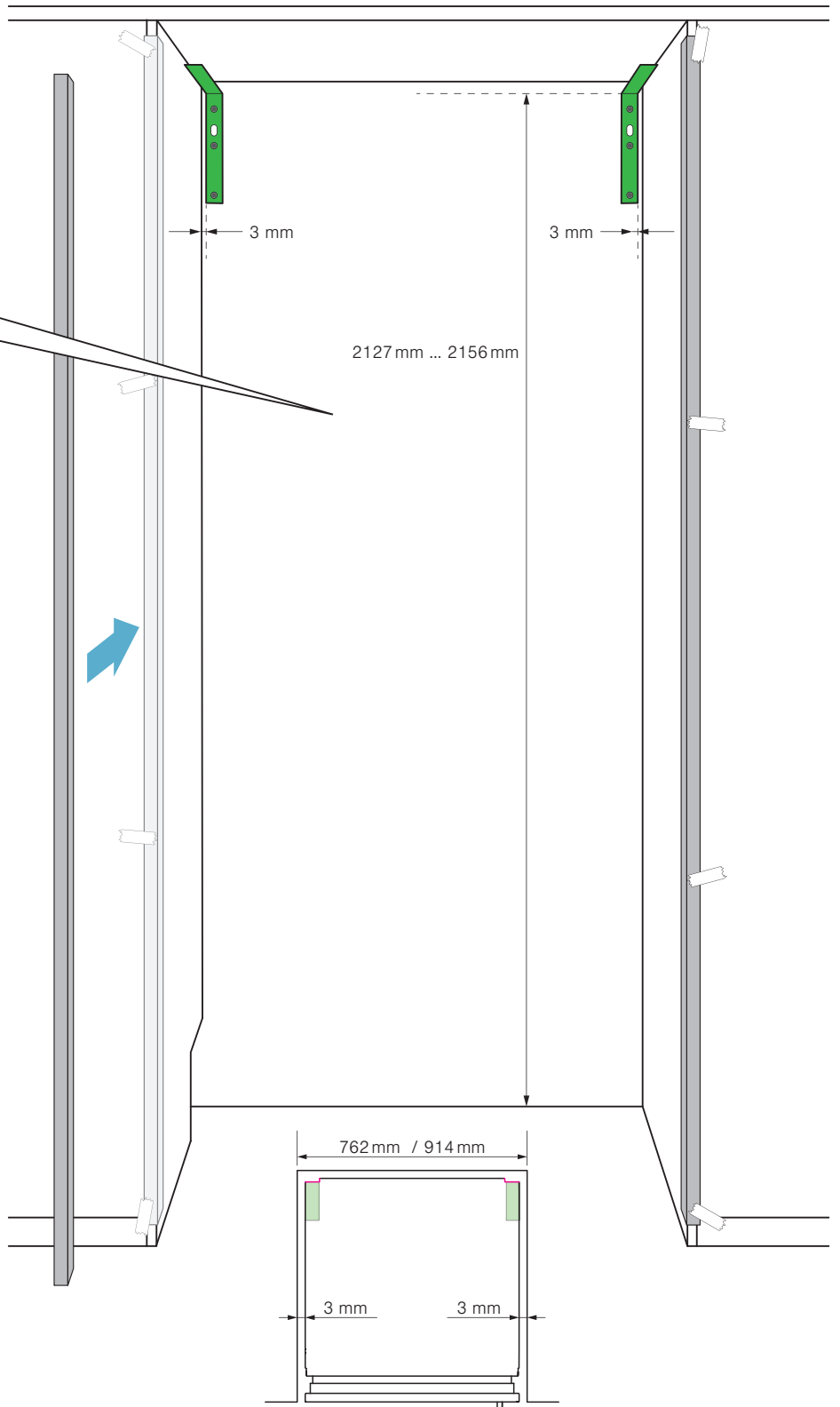
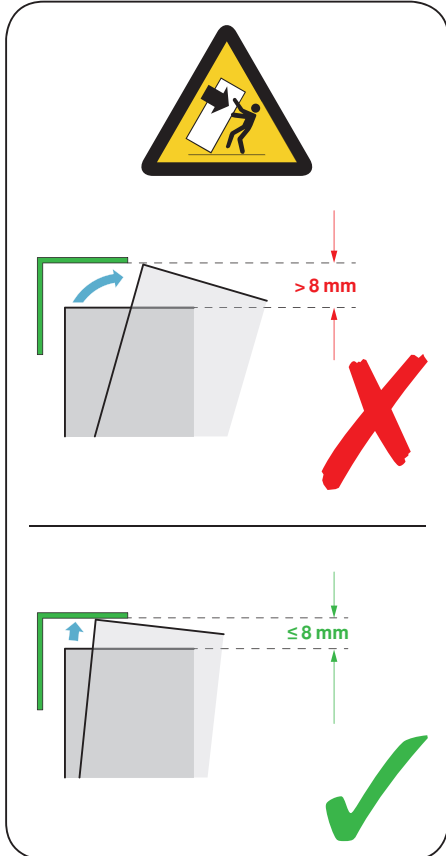
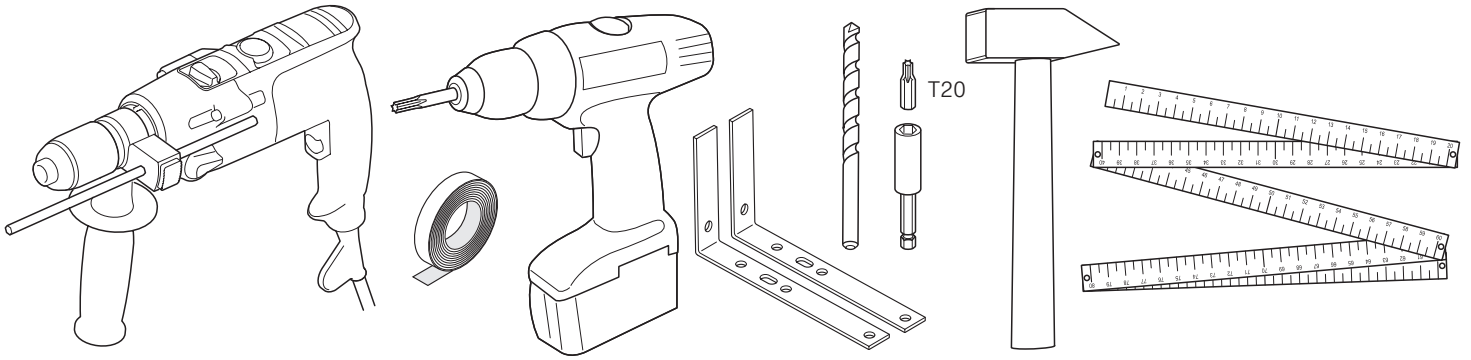


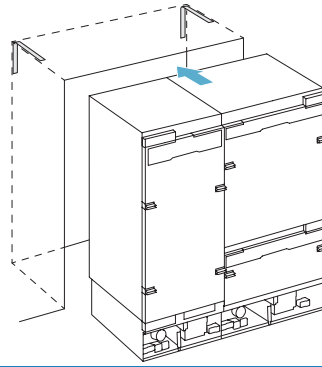
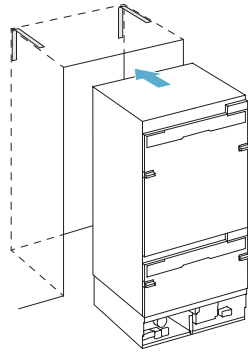
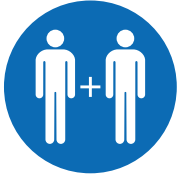
- A
- B
- C
- D



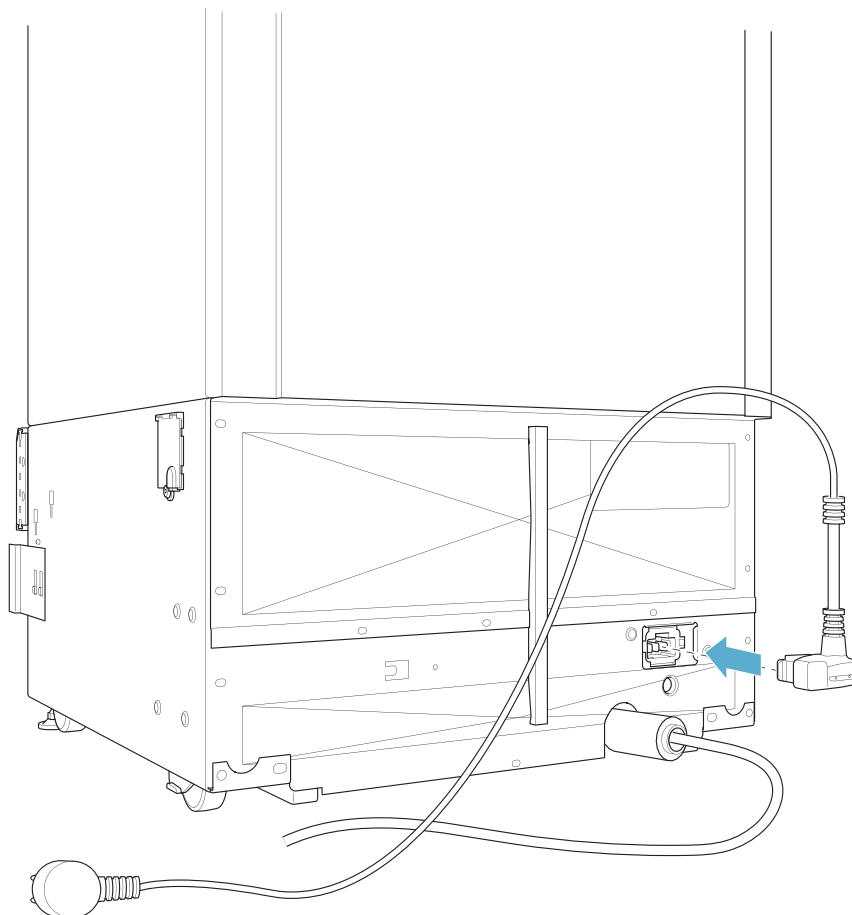
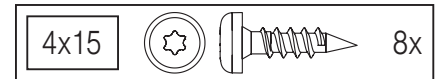
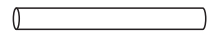
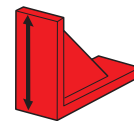
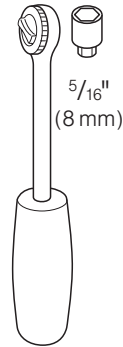
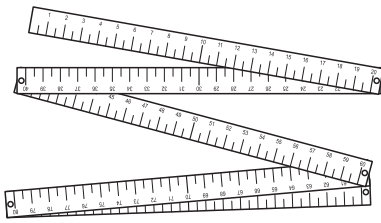
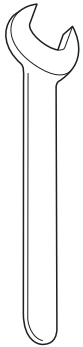
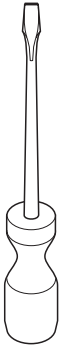
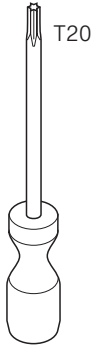




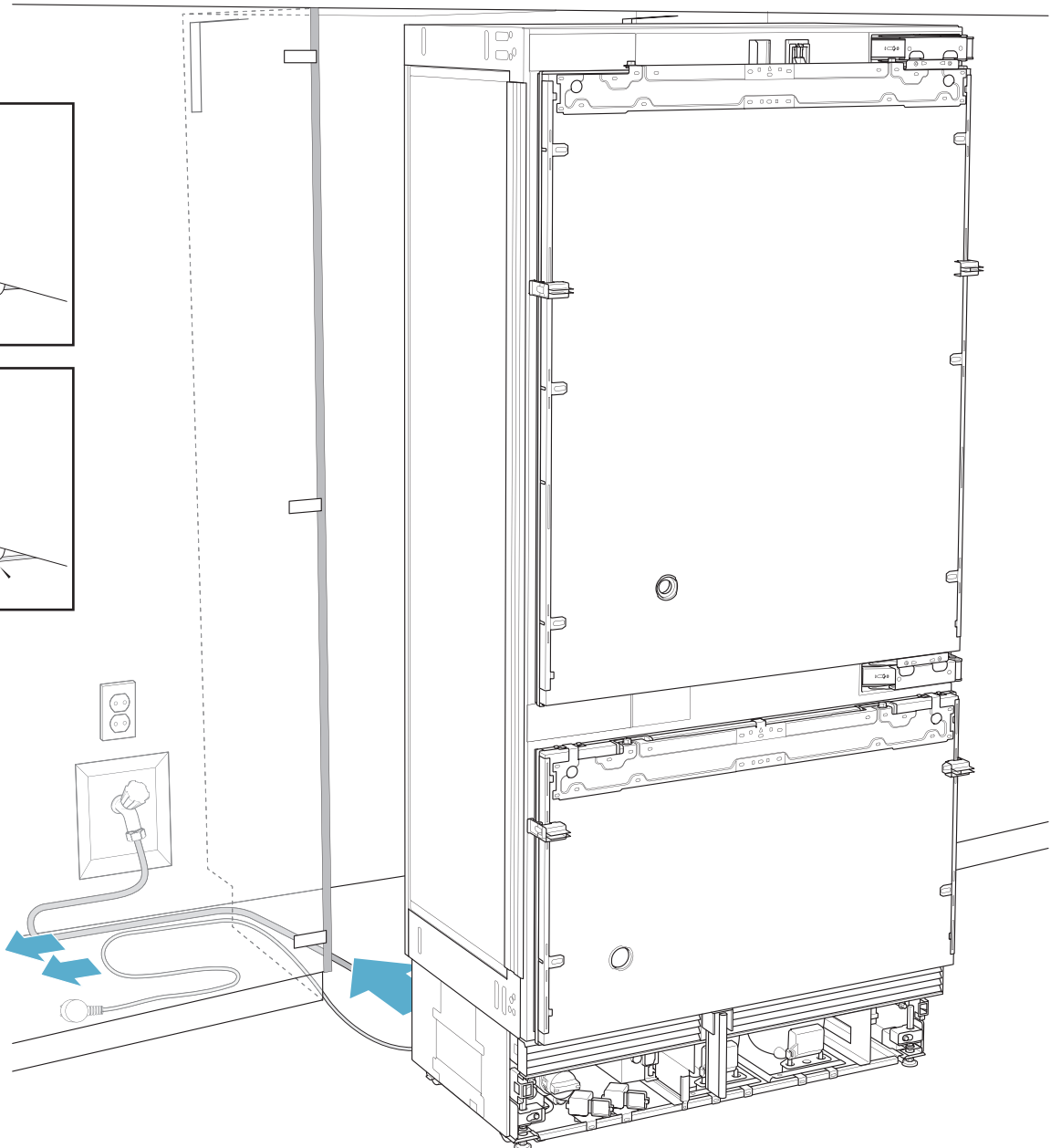
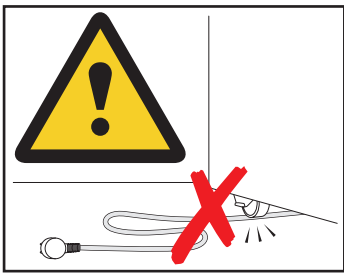
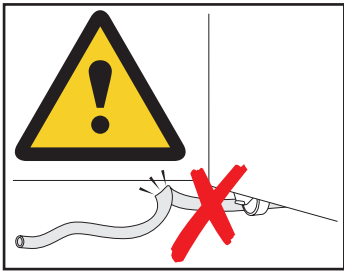
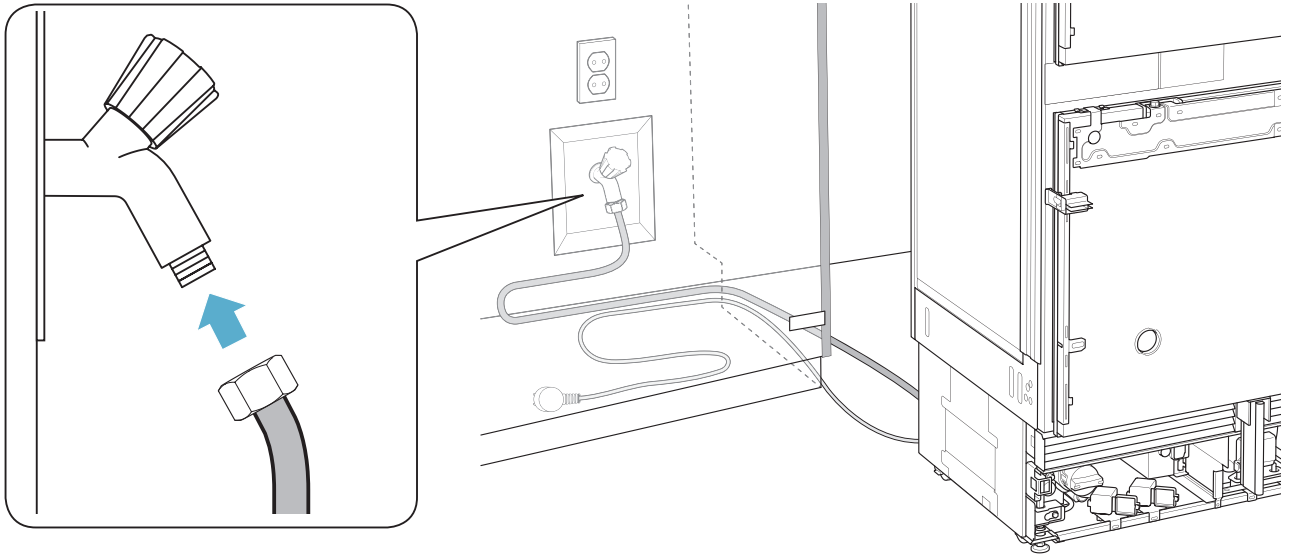


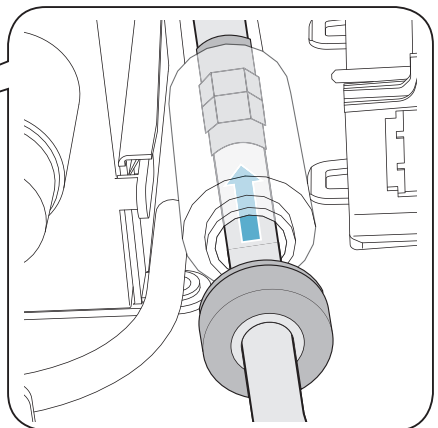
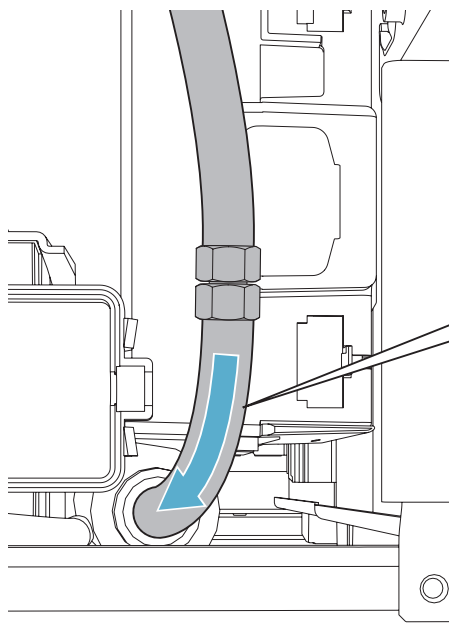
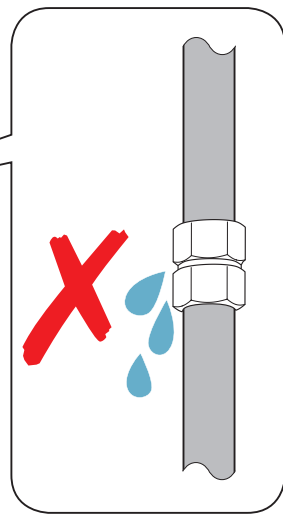
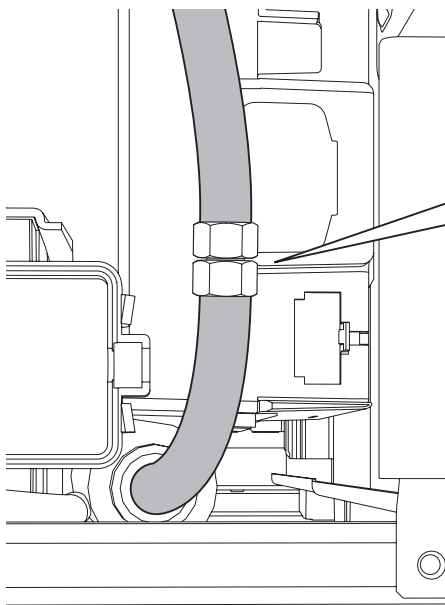
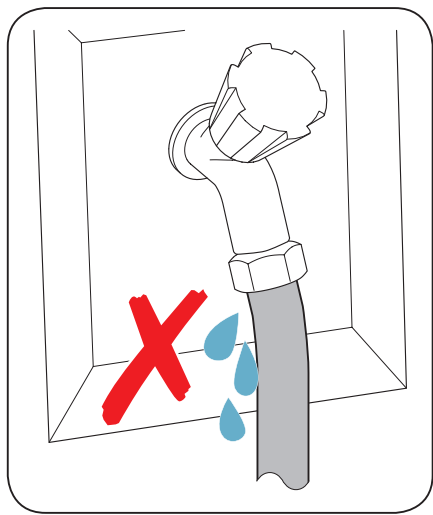
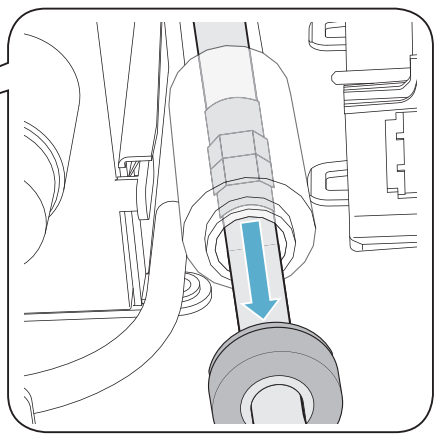
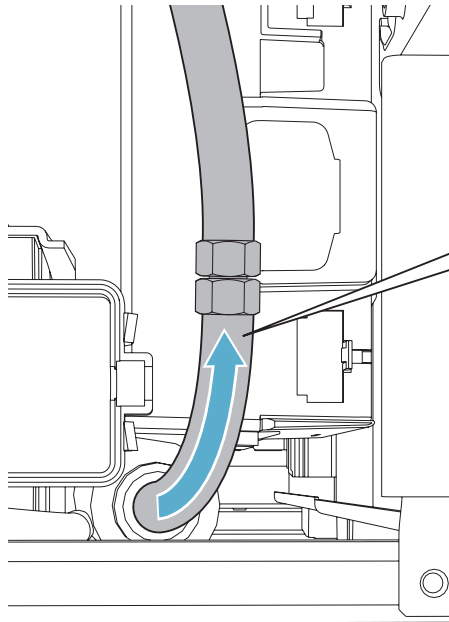
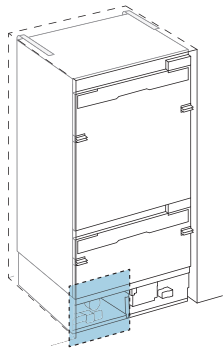


A
B
C
D

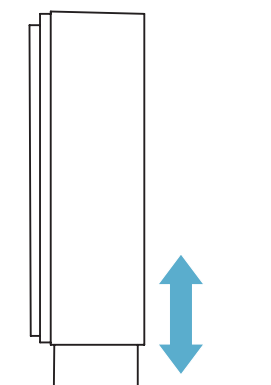
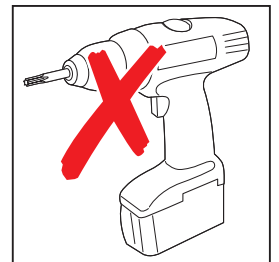
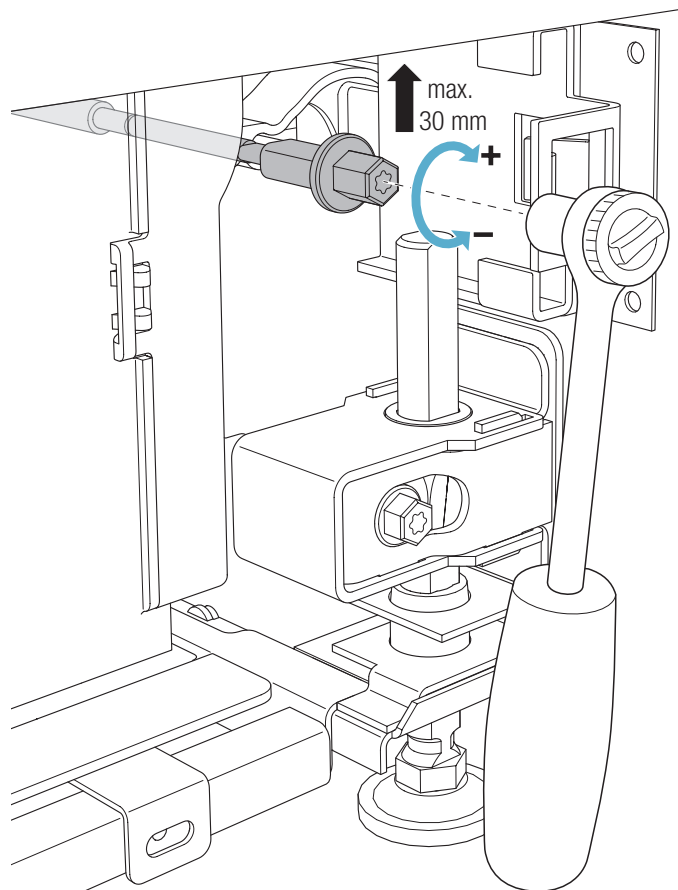
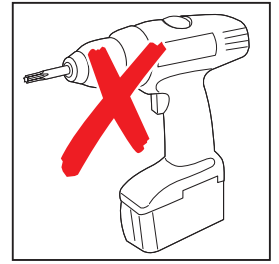
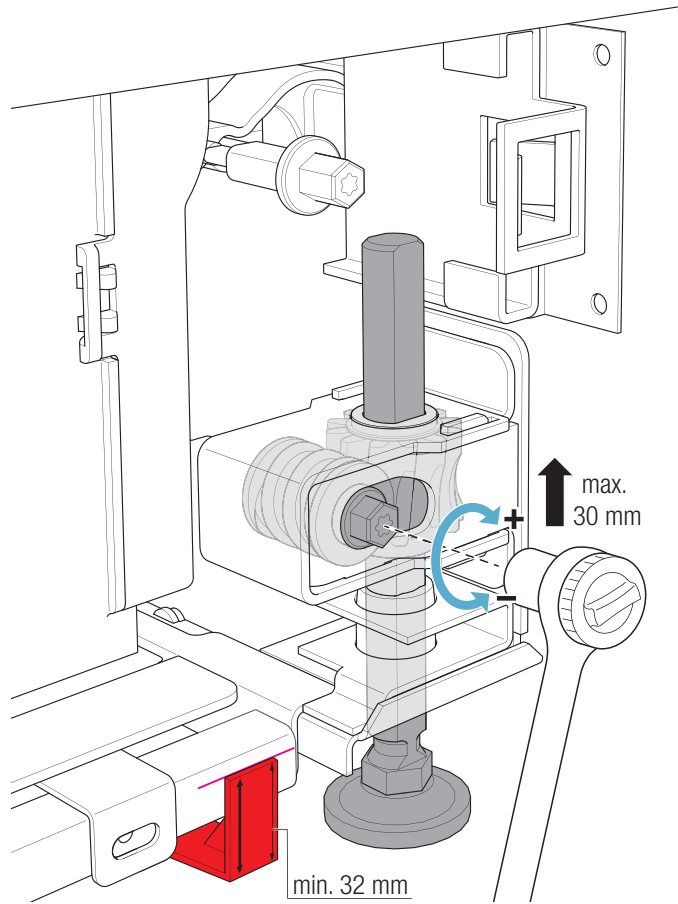
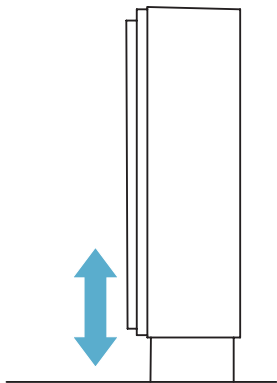
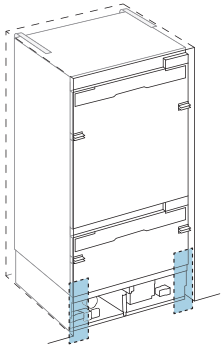


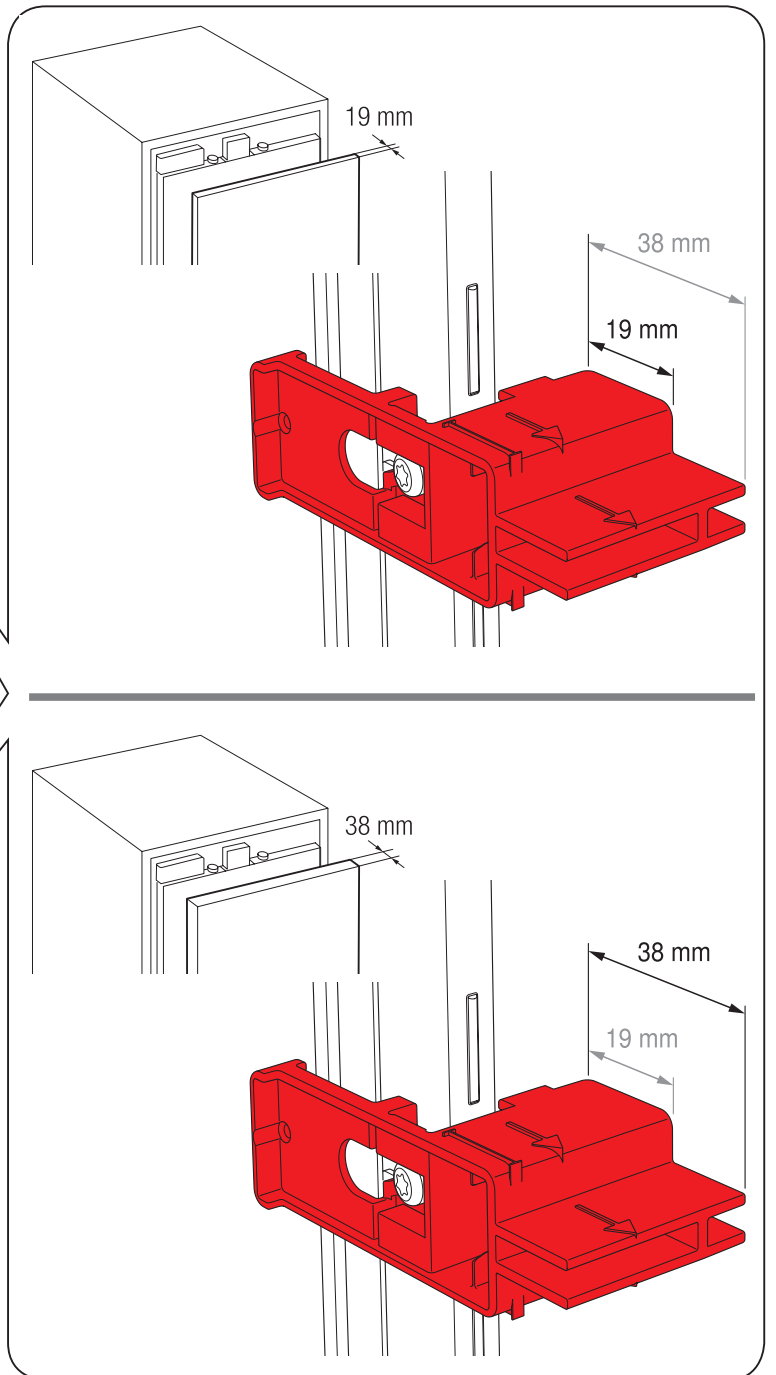
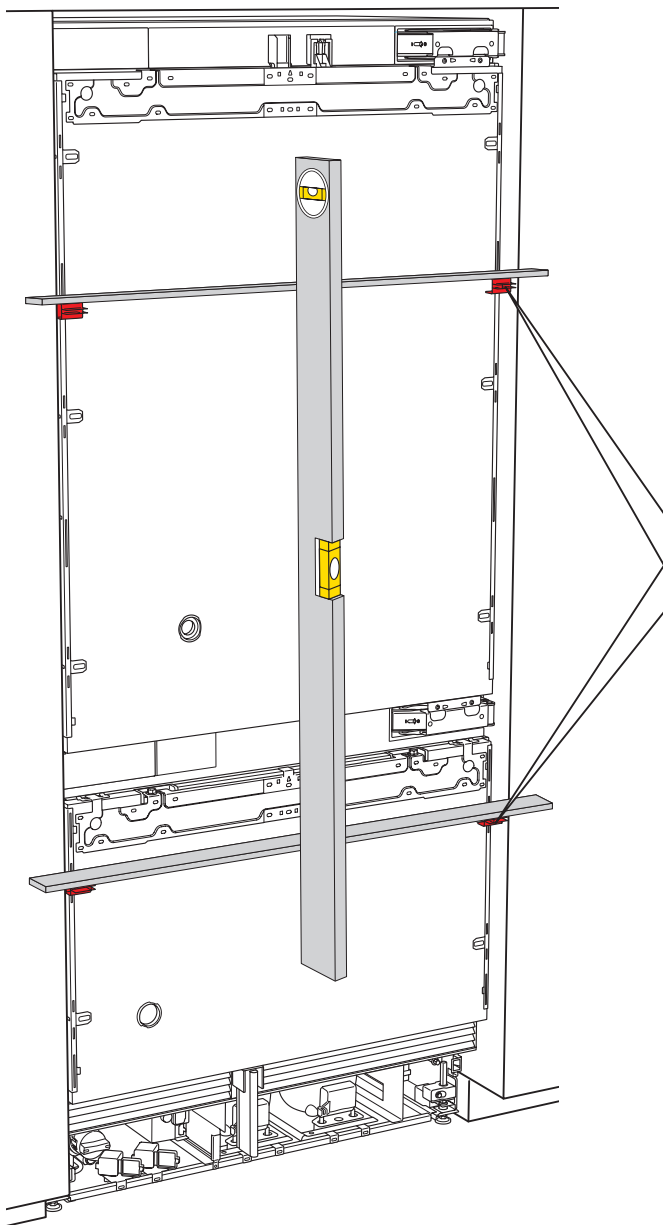
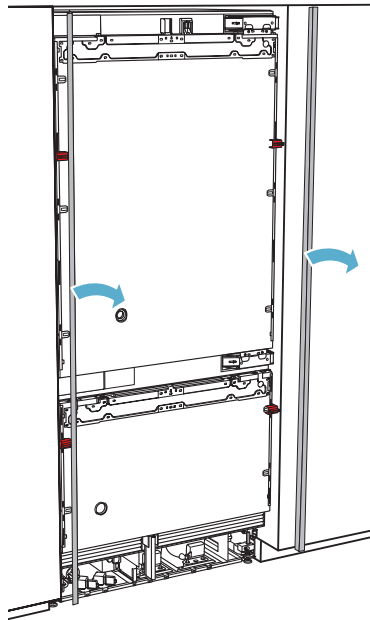
A
B
C
D




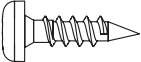


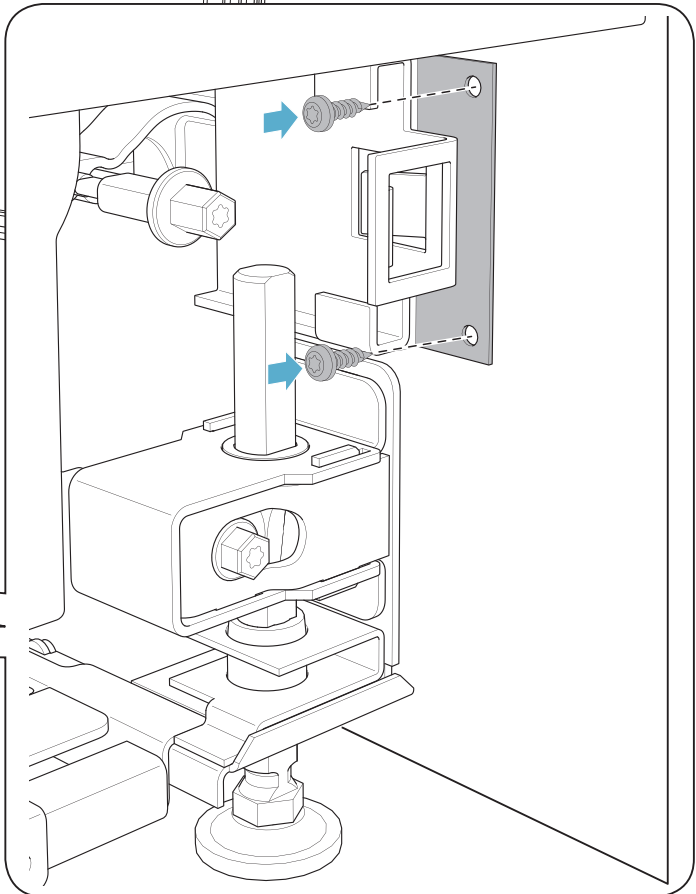
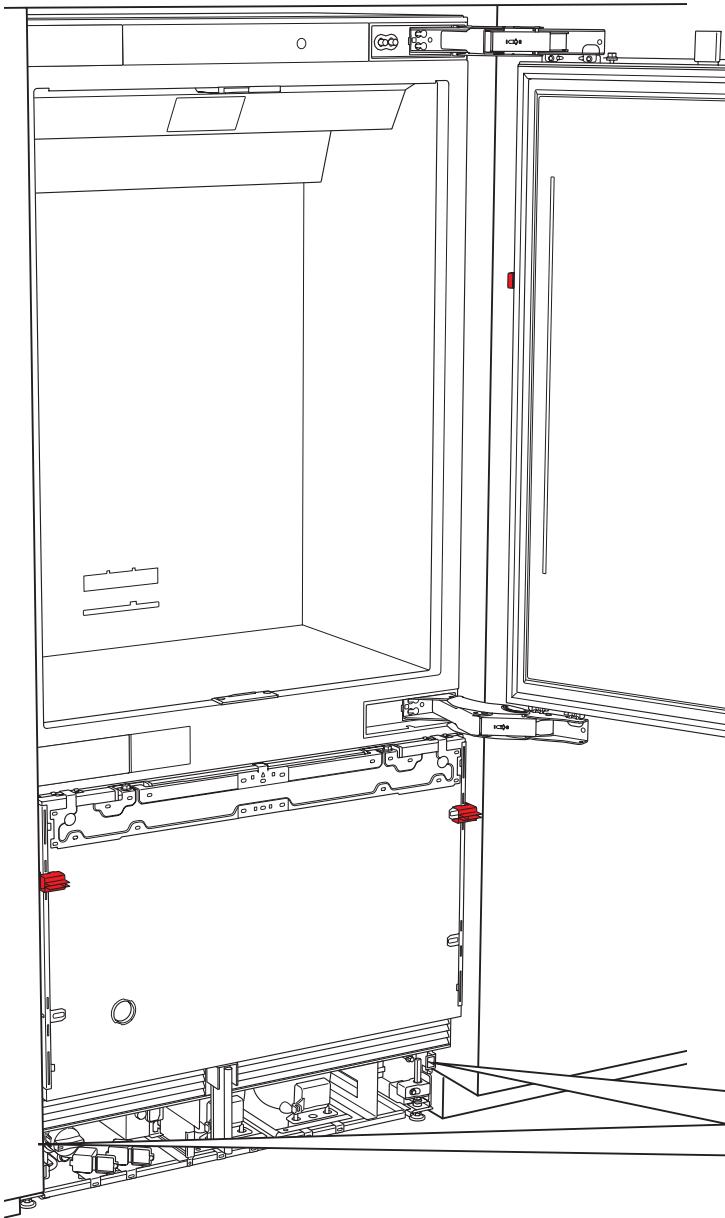
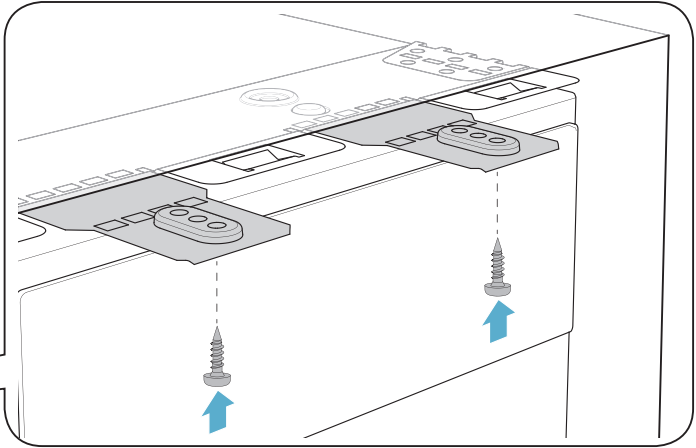
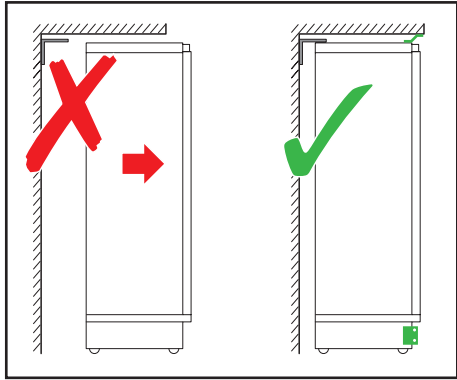
A
B
C
D

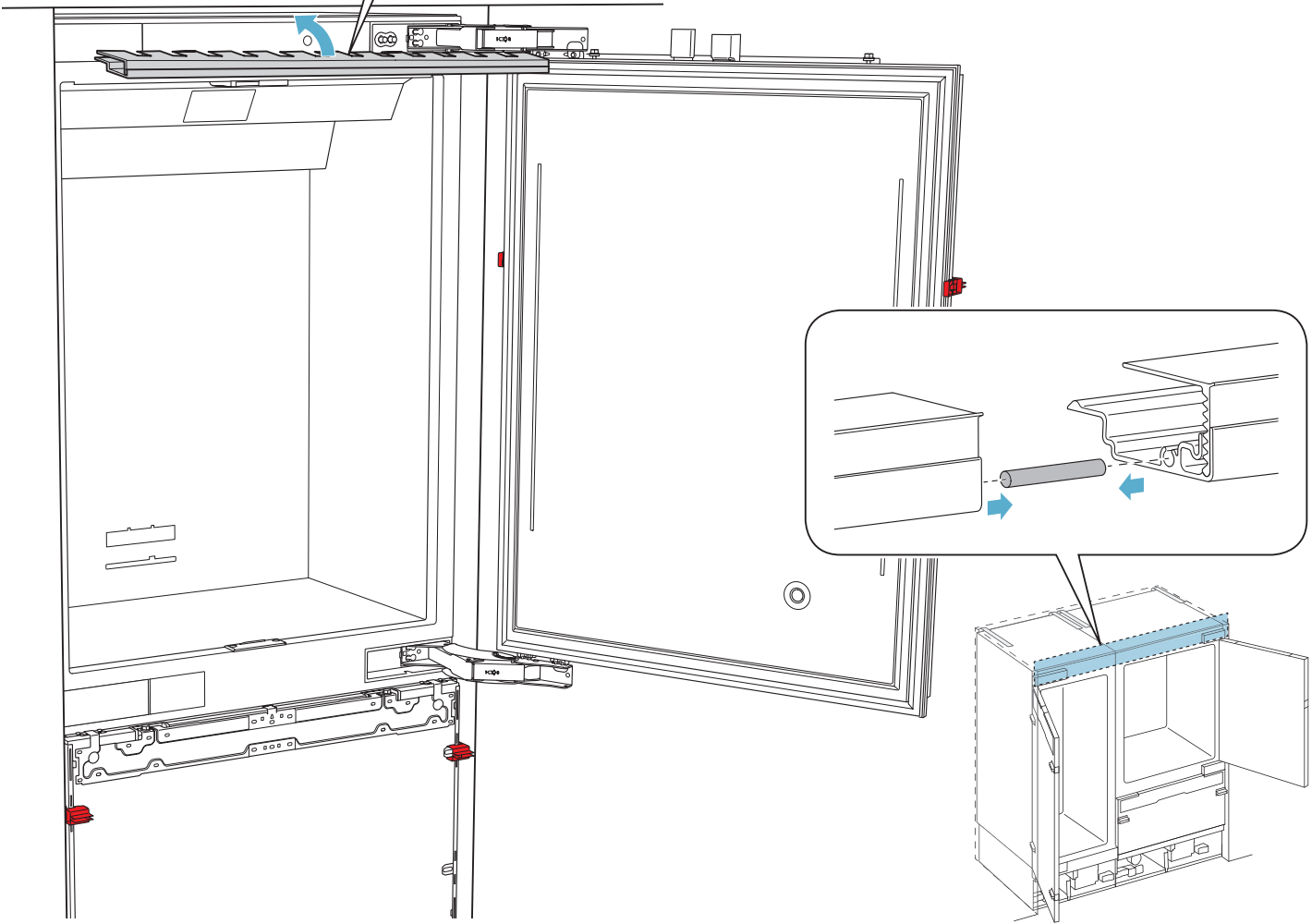
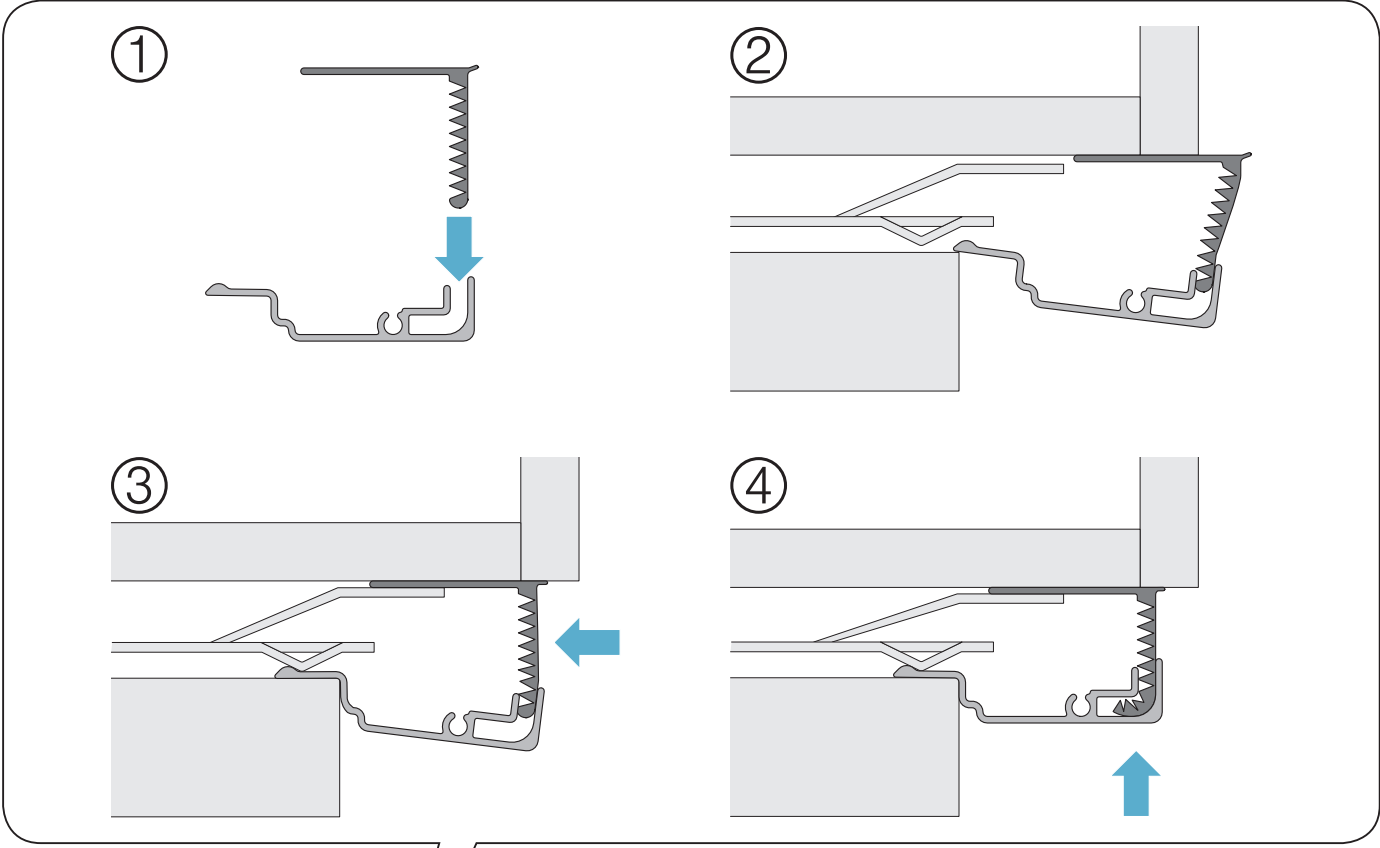




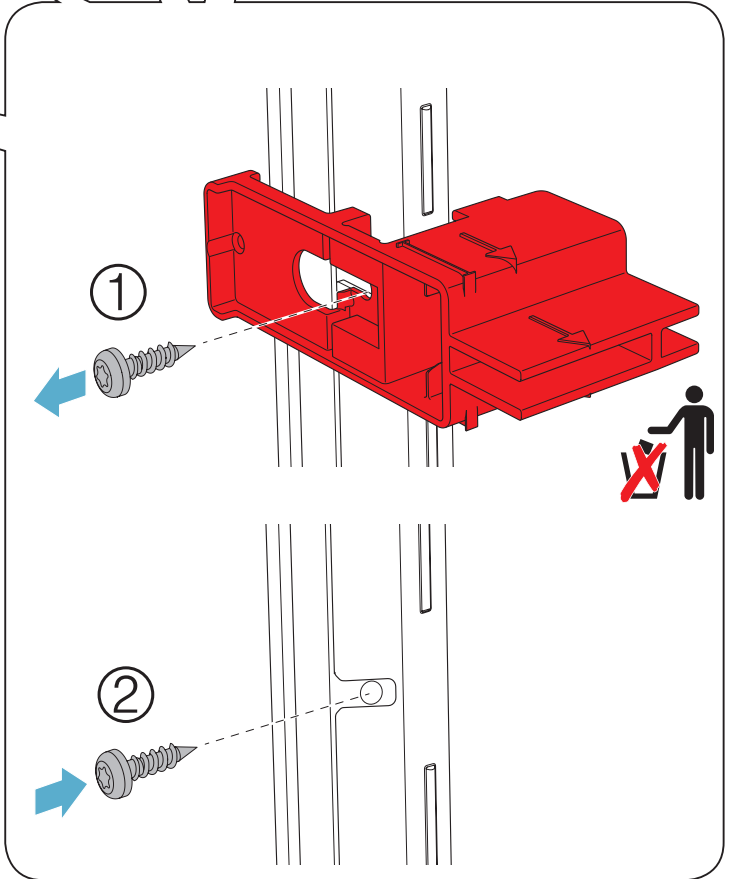
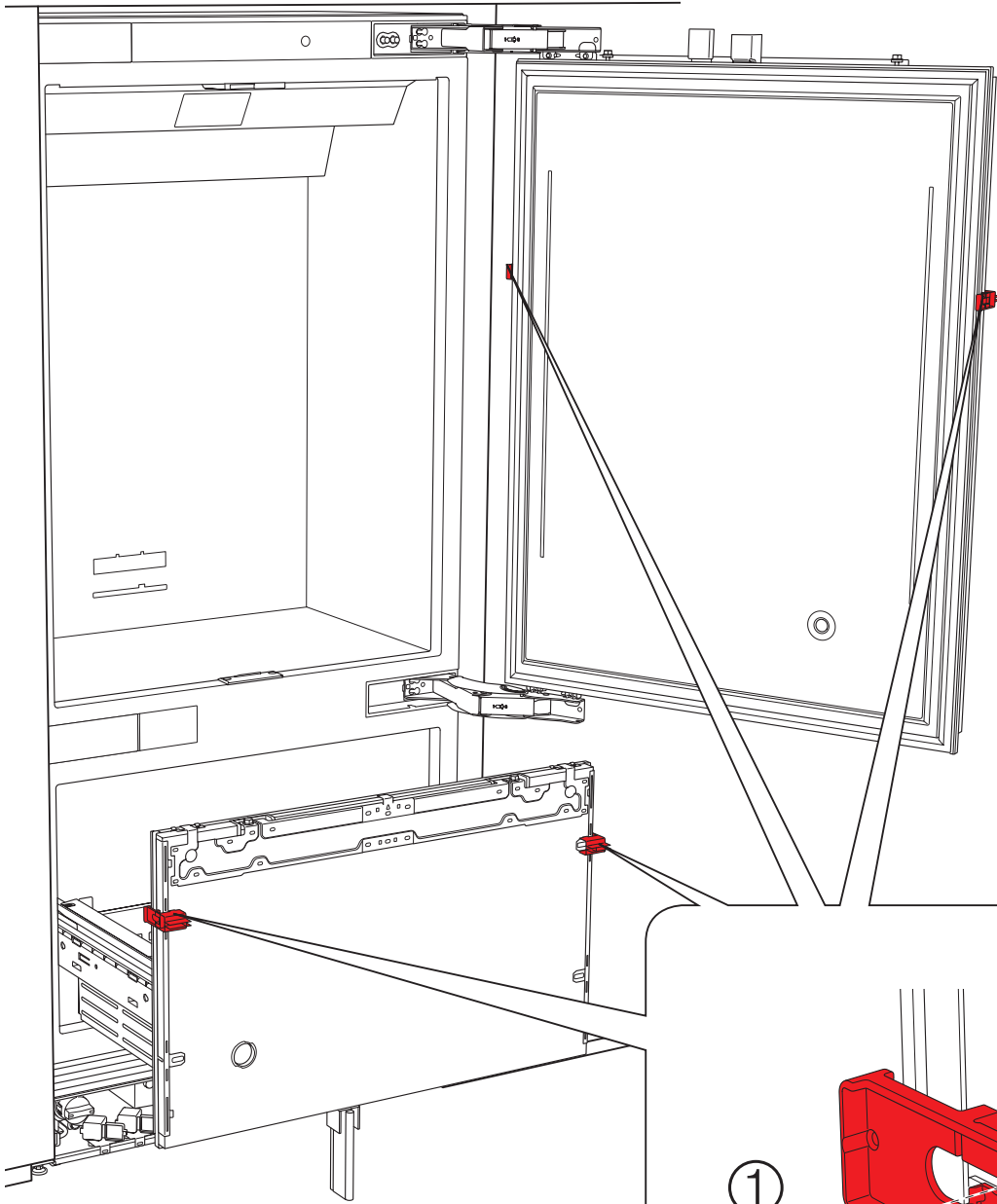
A
B
C
D

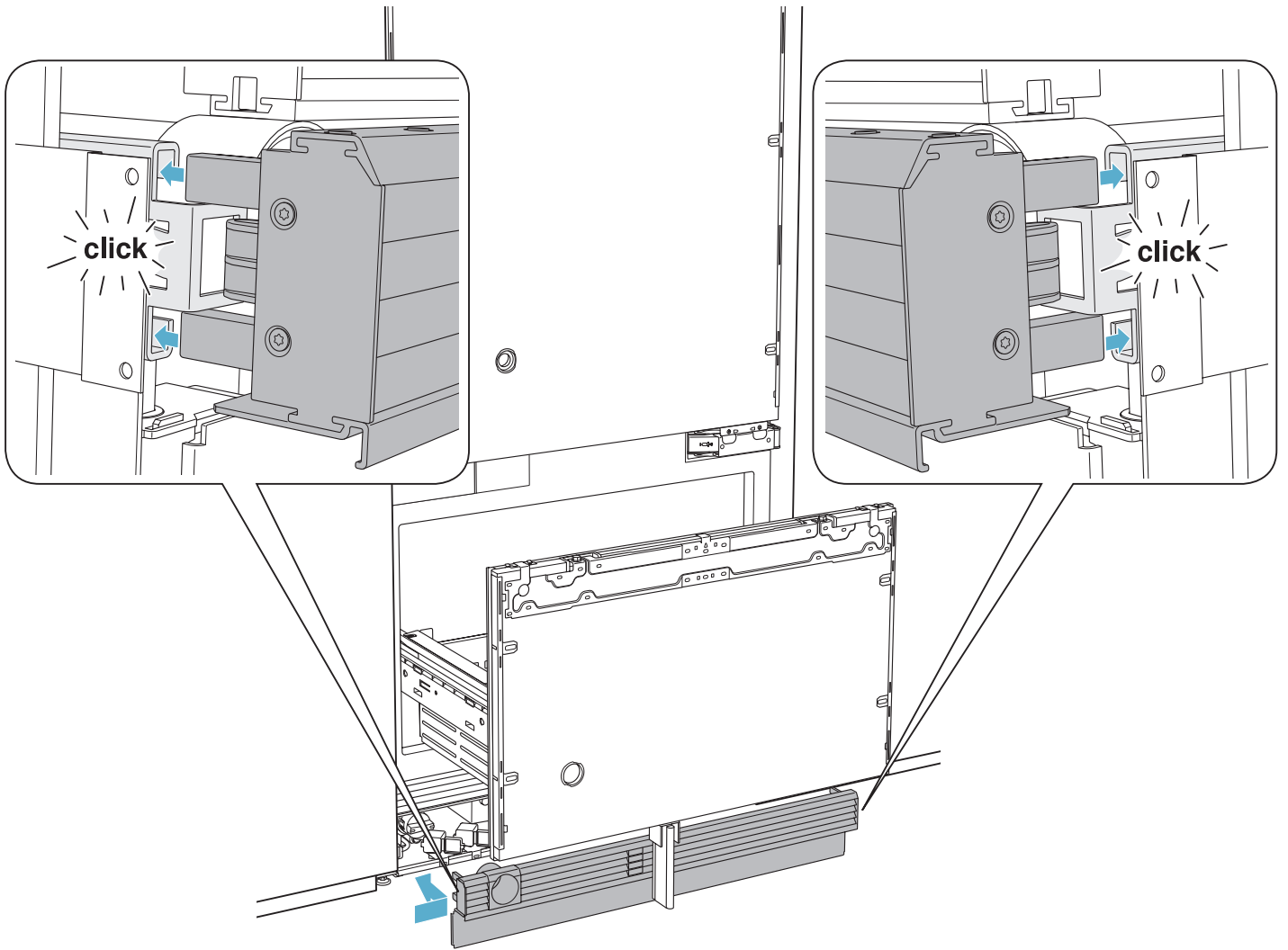
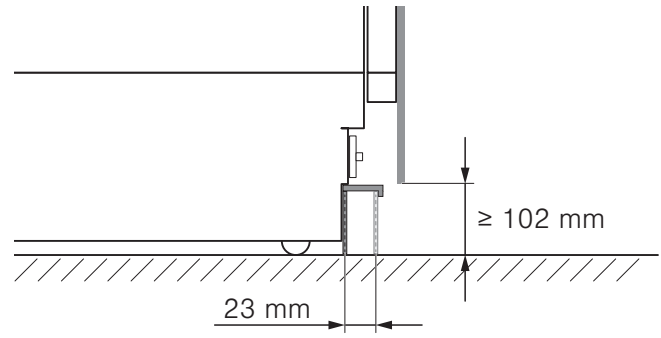
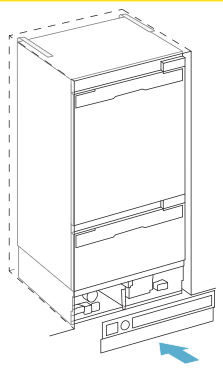
4x15   8x



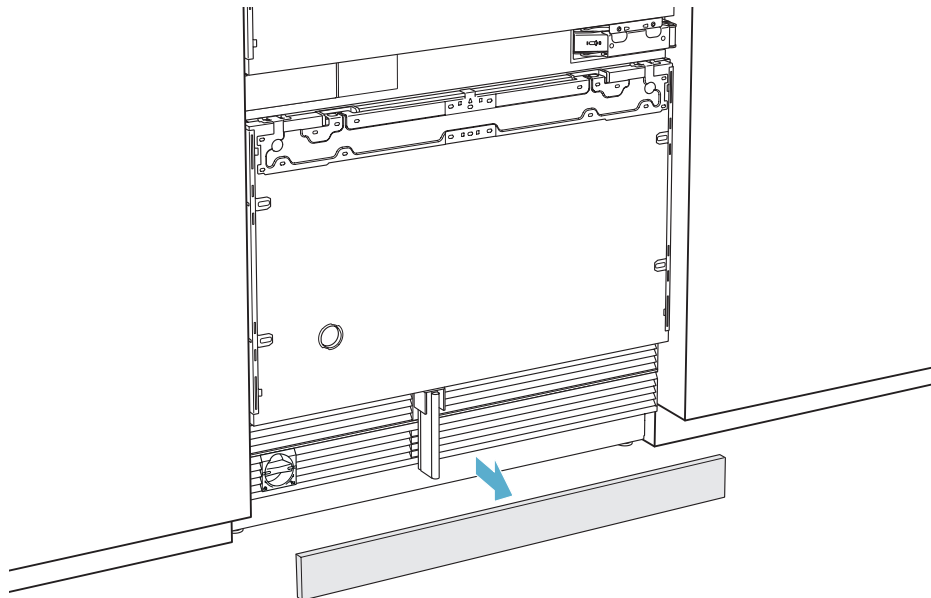
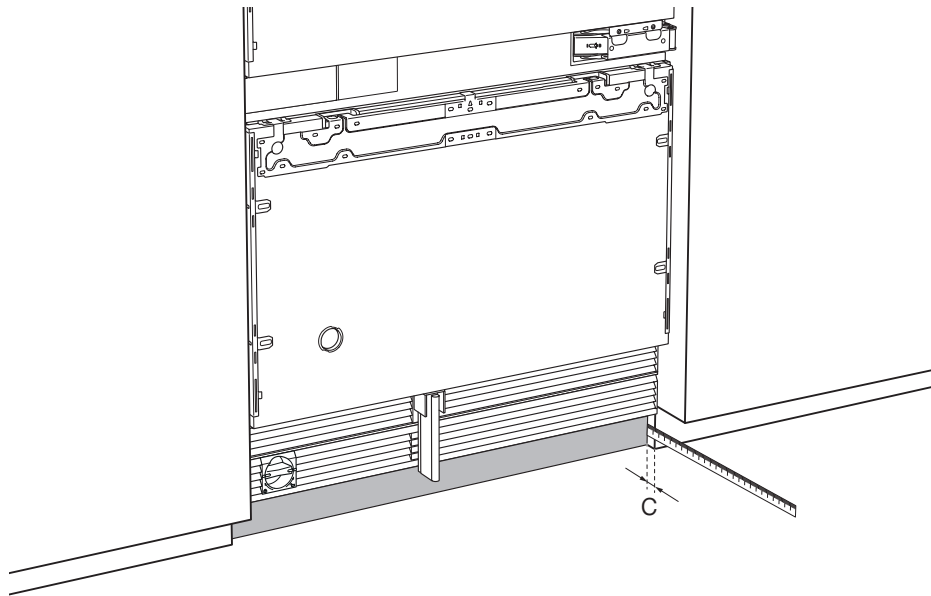
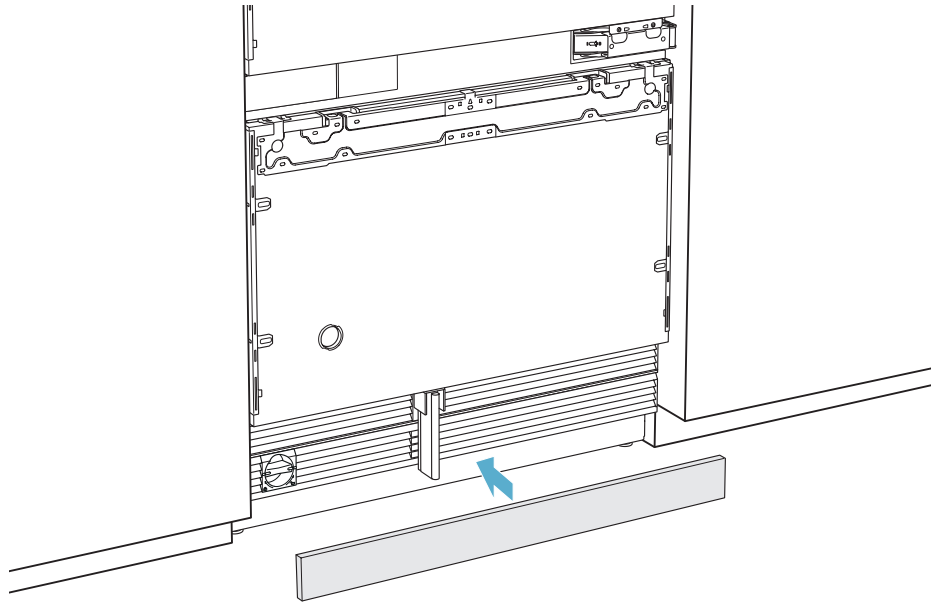


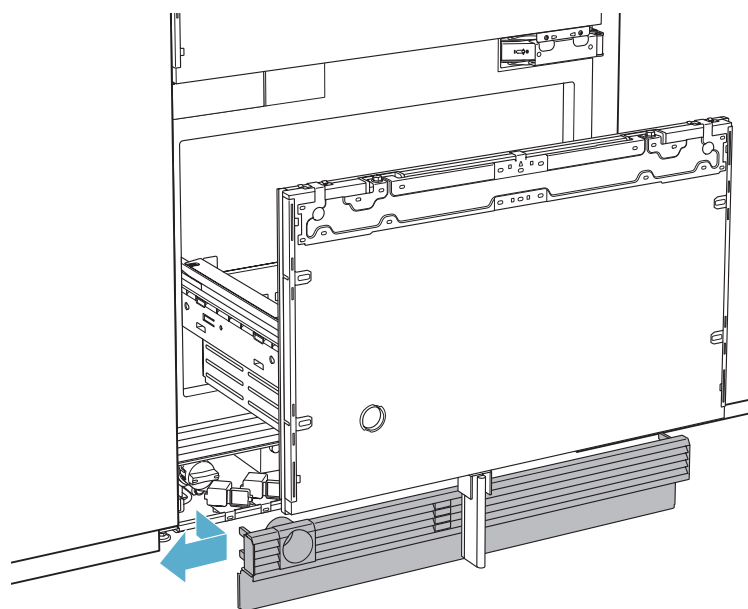
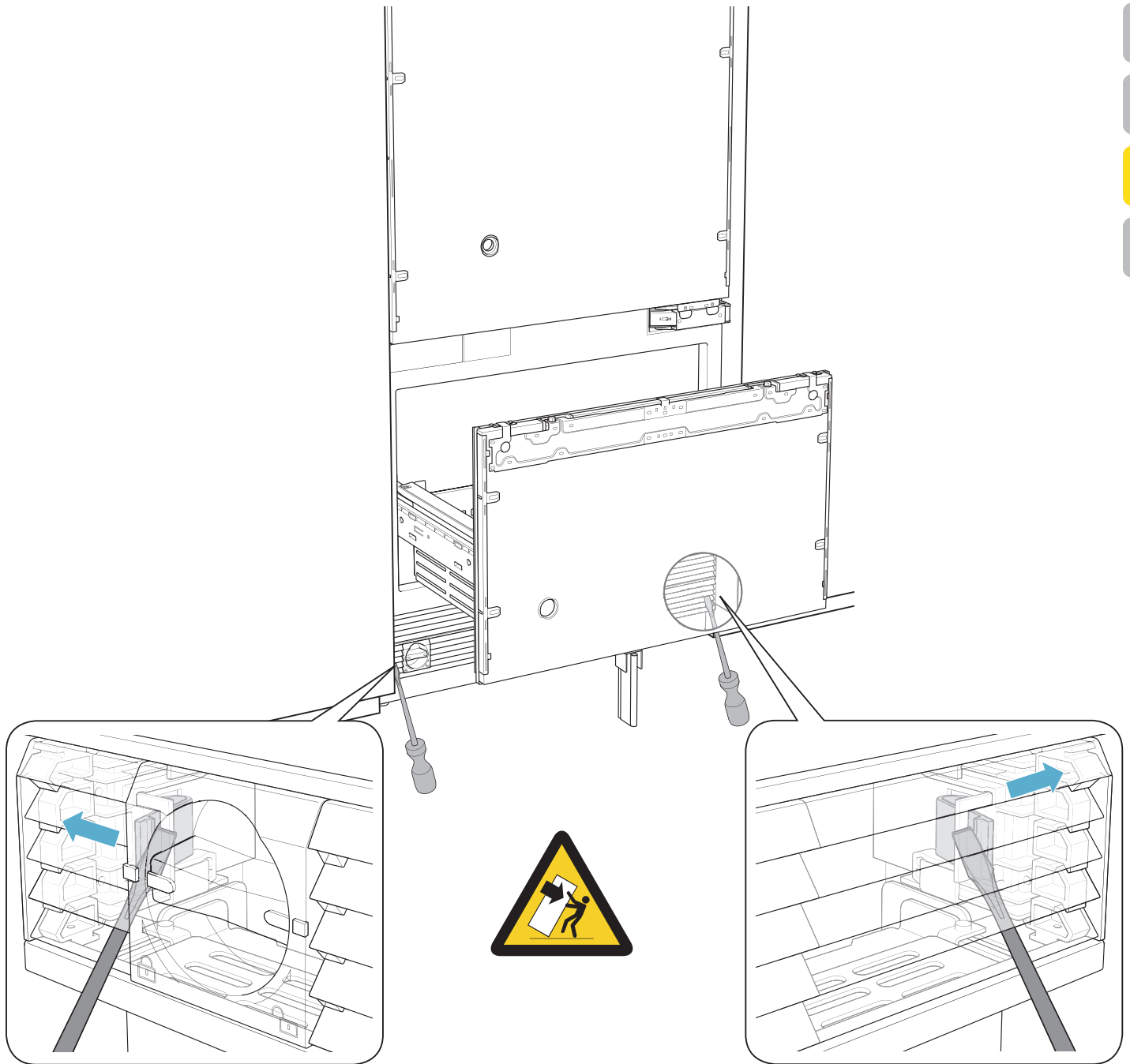
A
B
C
D



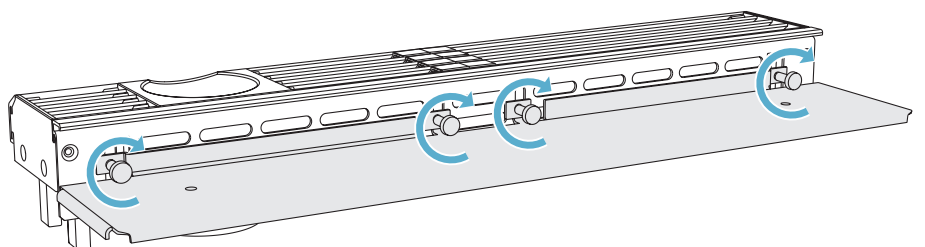
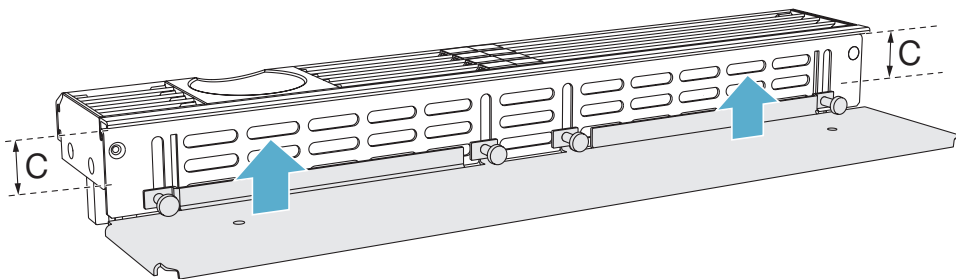
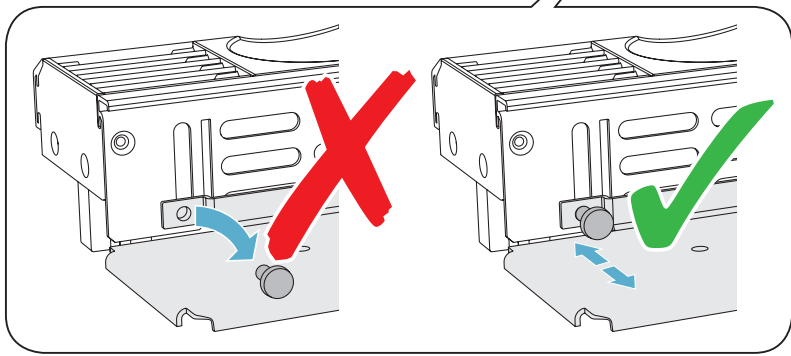
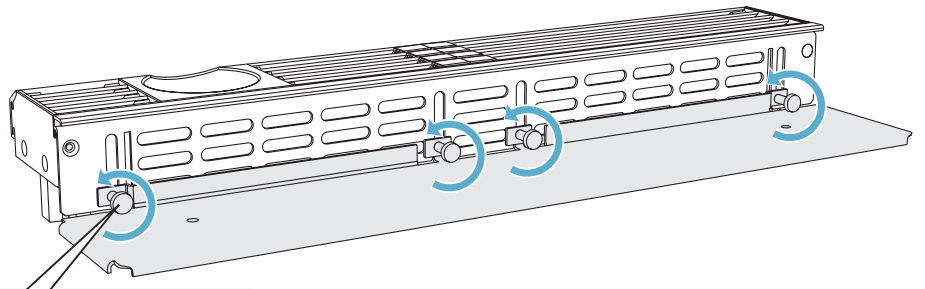
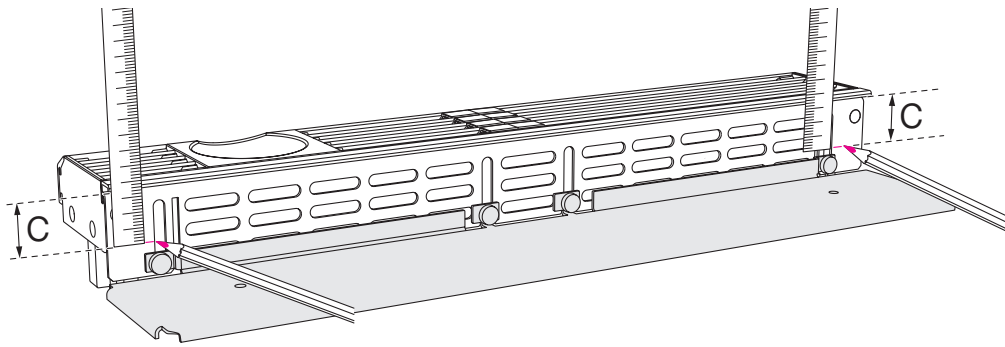


- A
- B
- C
- D

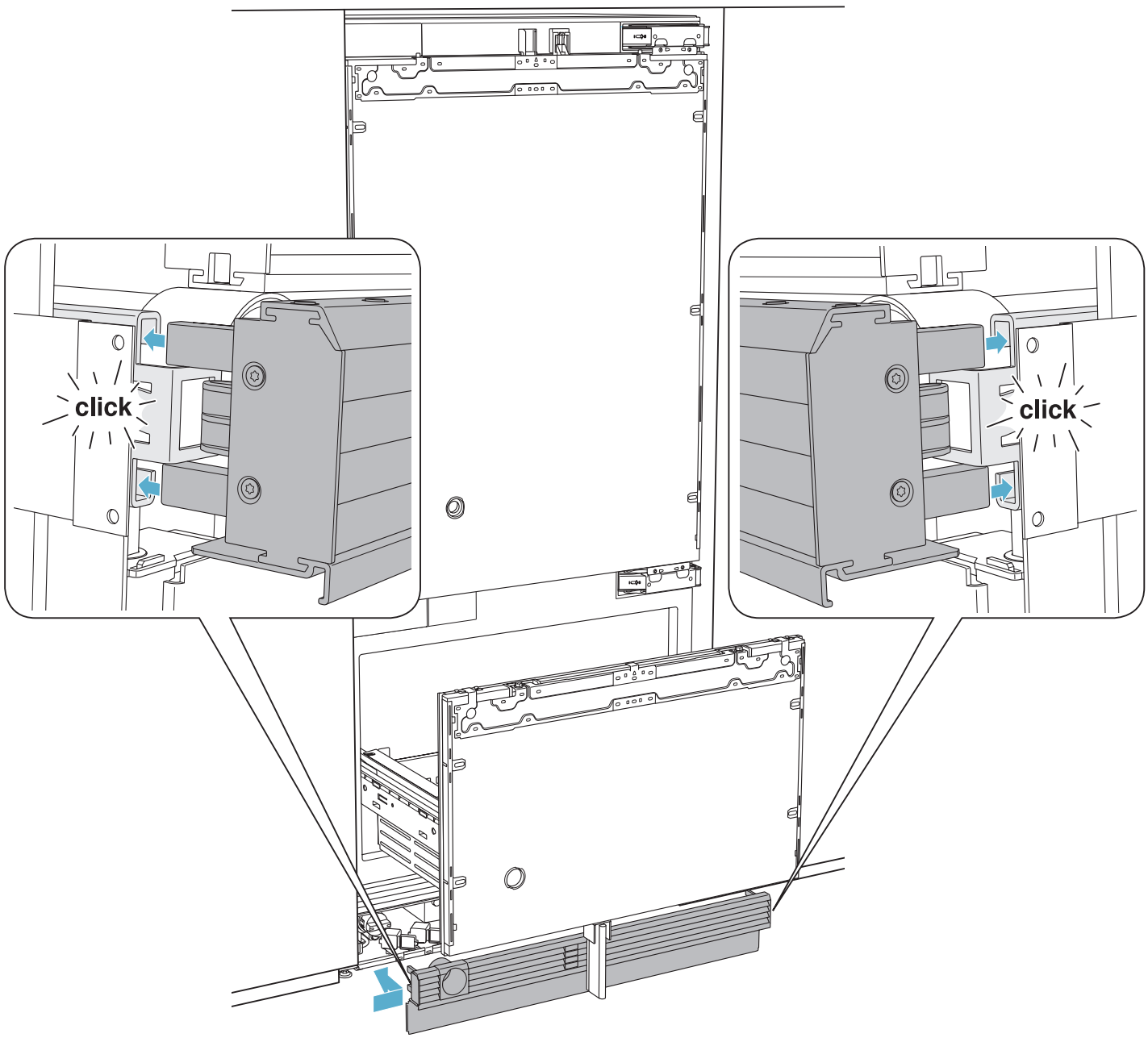
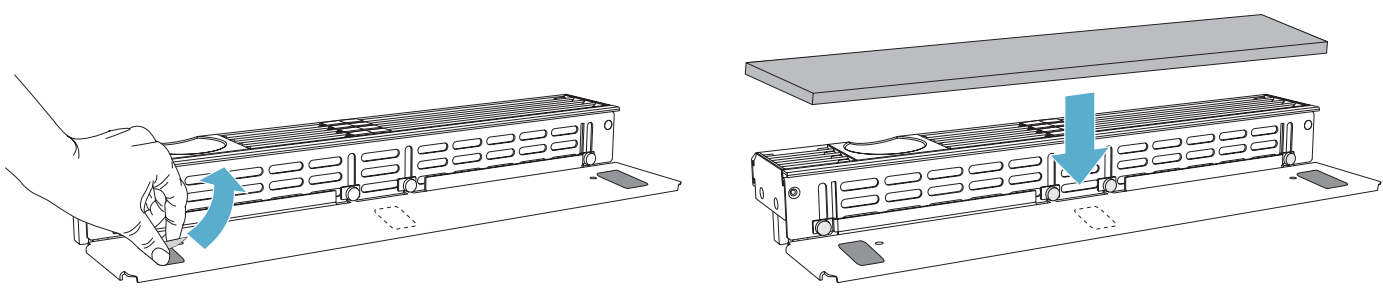




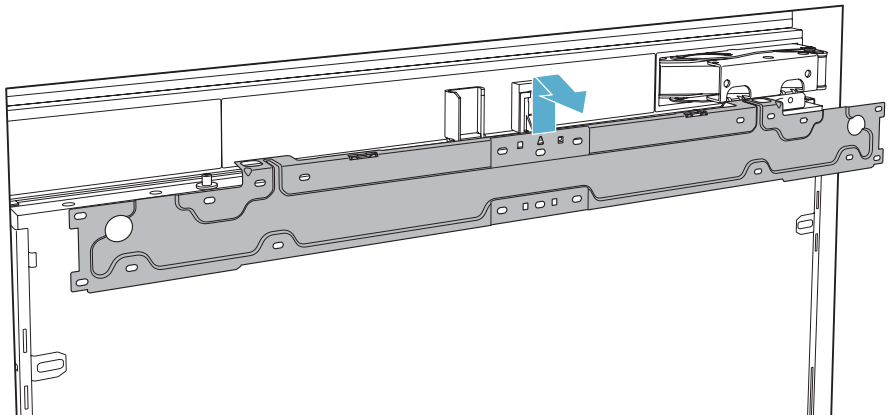
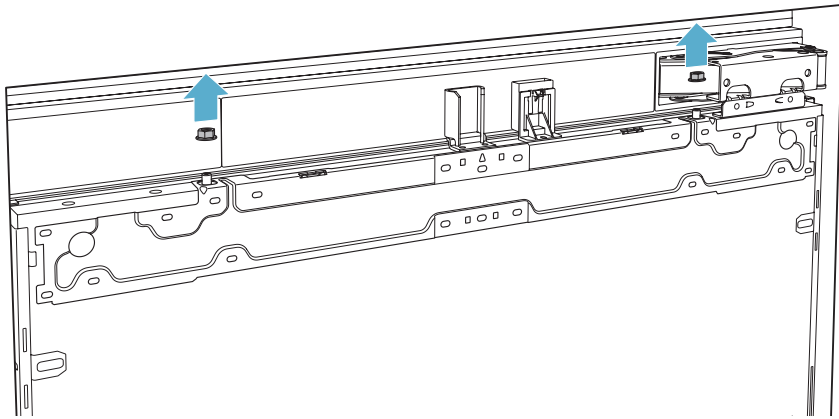
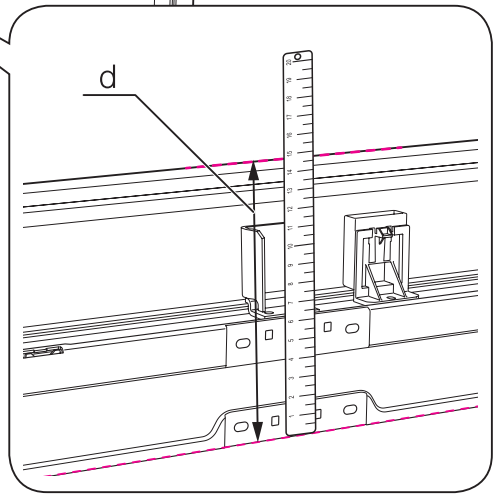
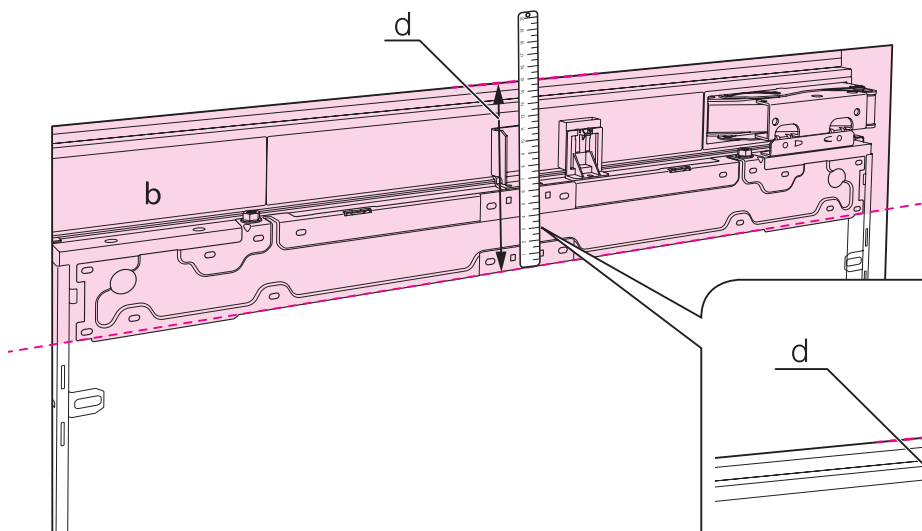
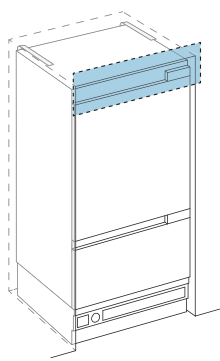
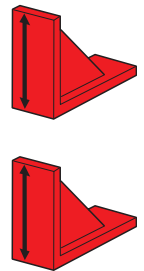
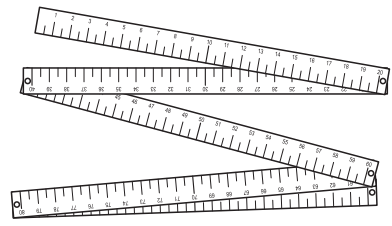
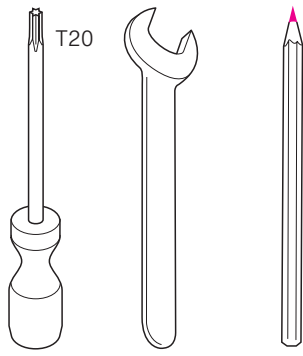
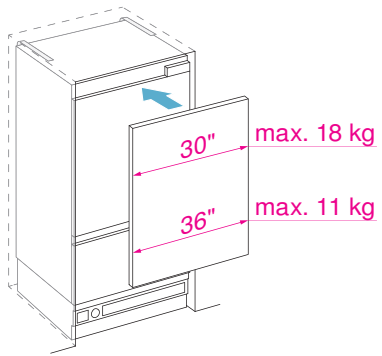
- A
- B
- C
- D

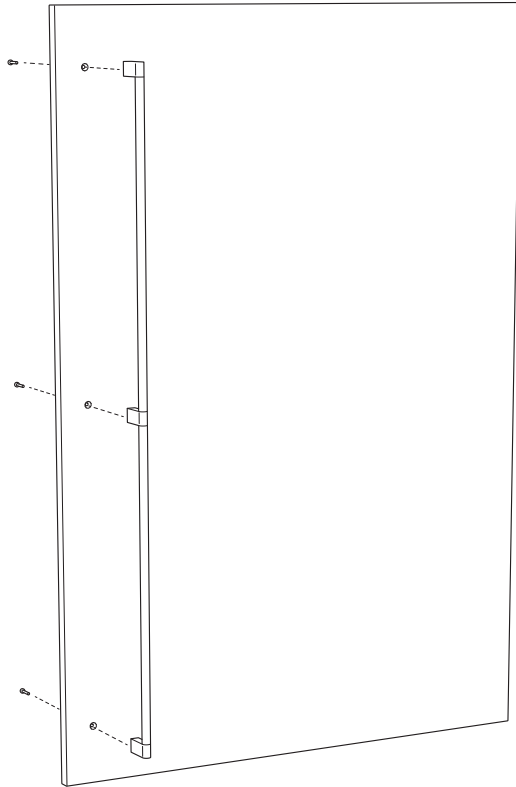
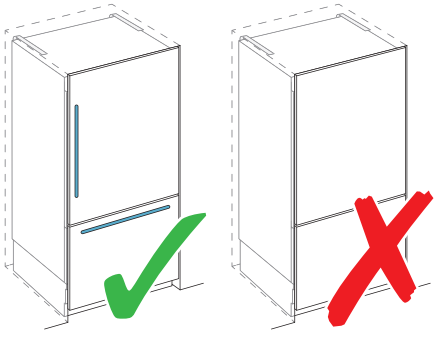
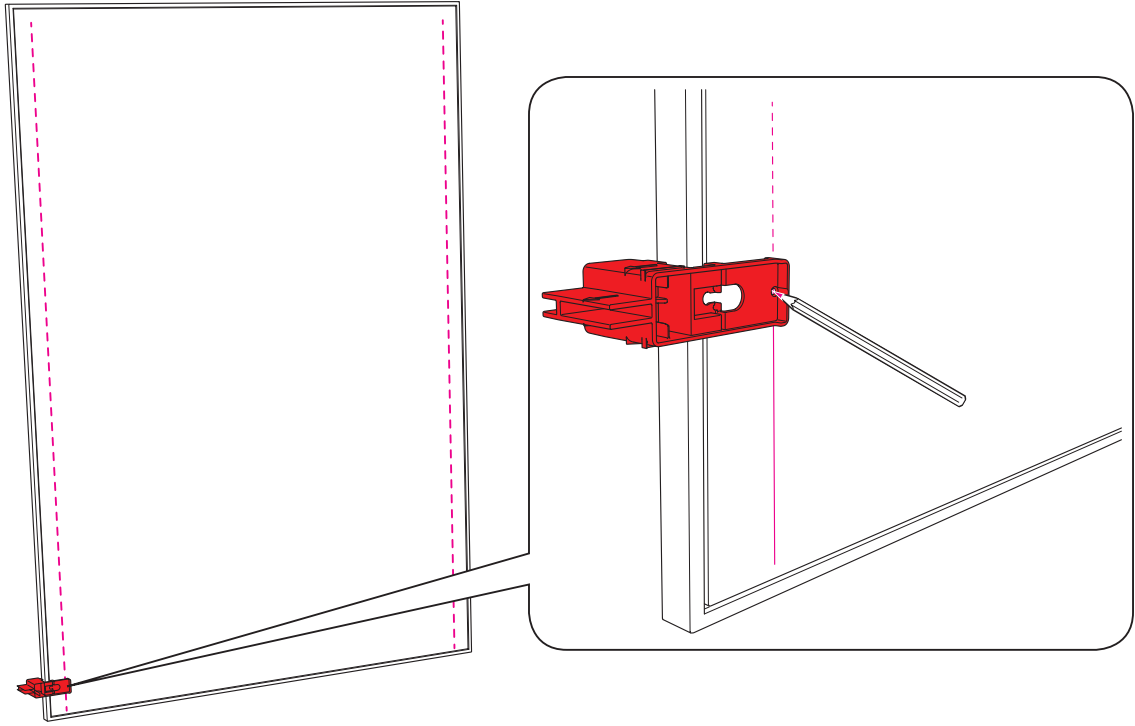


- A
- B
- C
- D

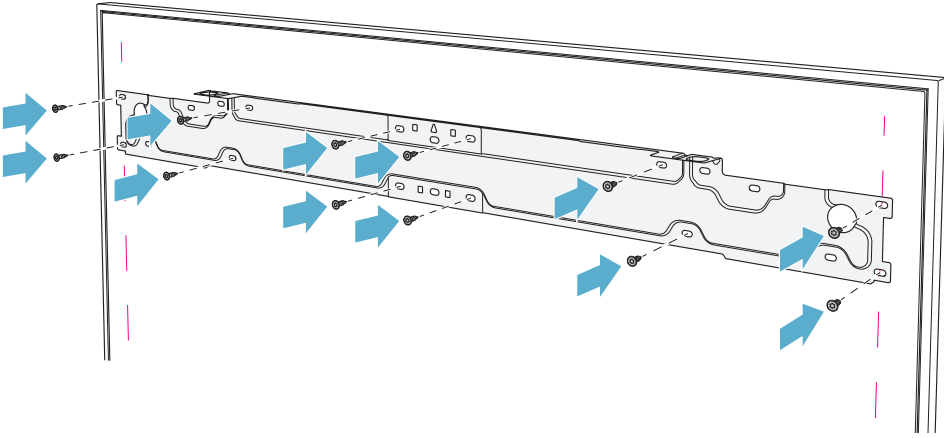
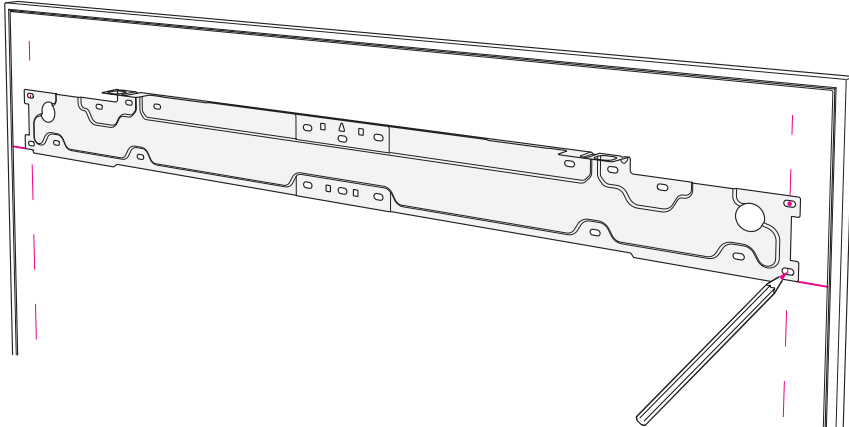
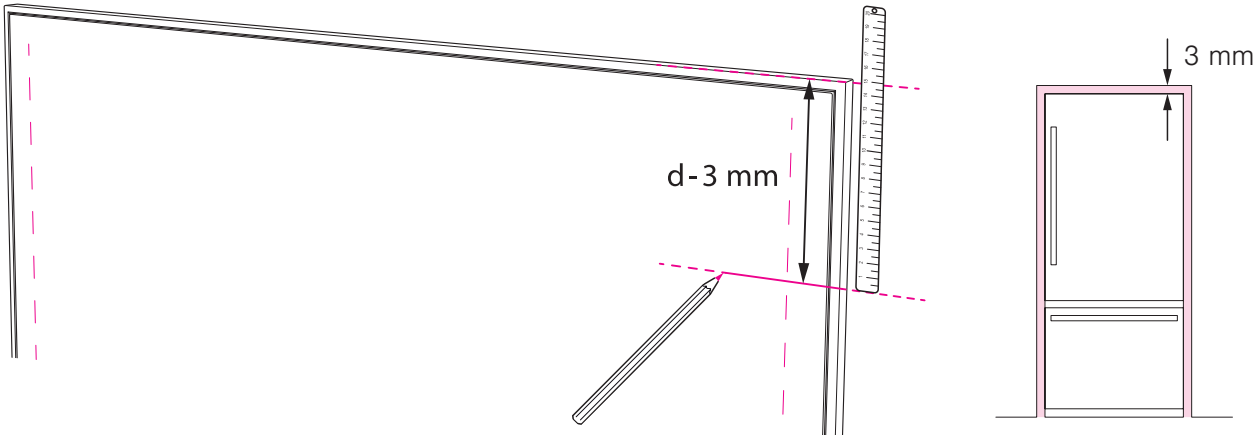



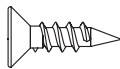
A
B
C
D


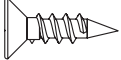




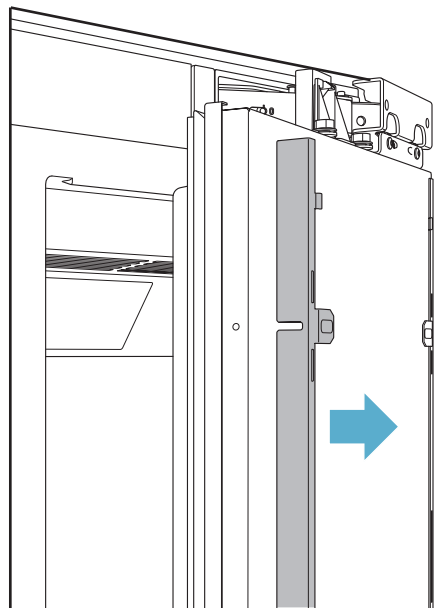
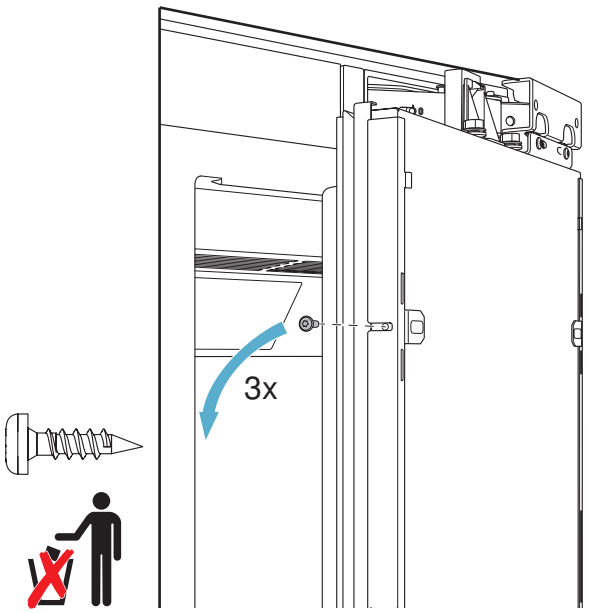
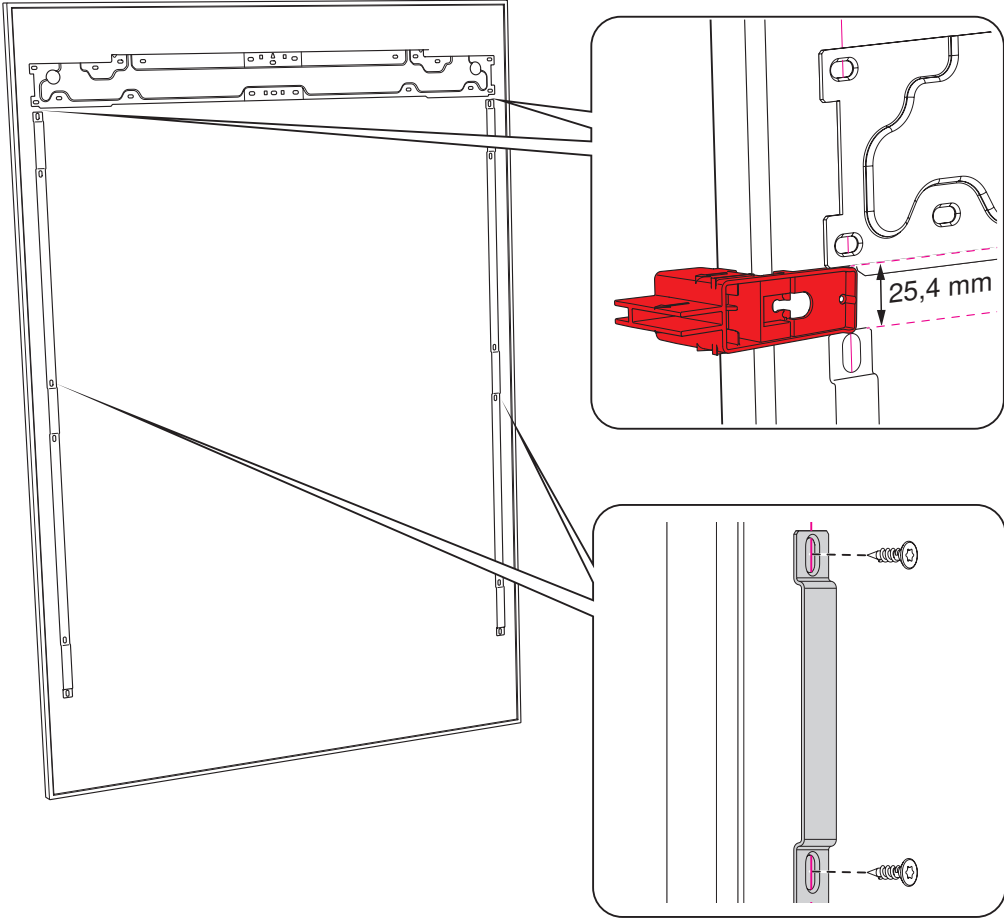
- A
- B
- C
- D



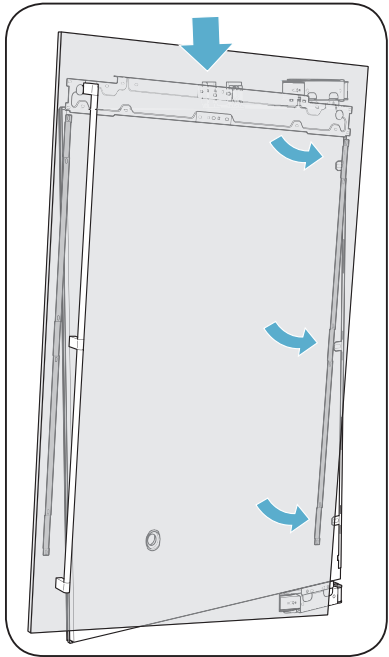
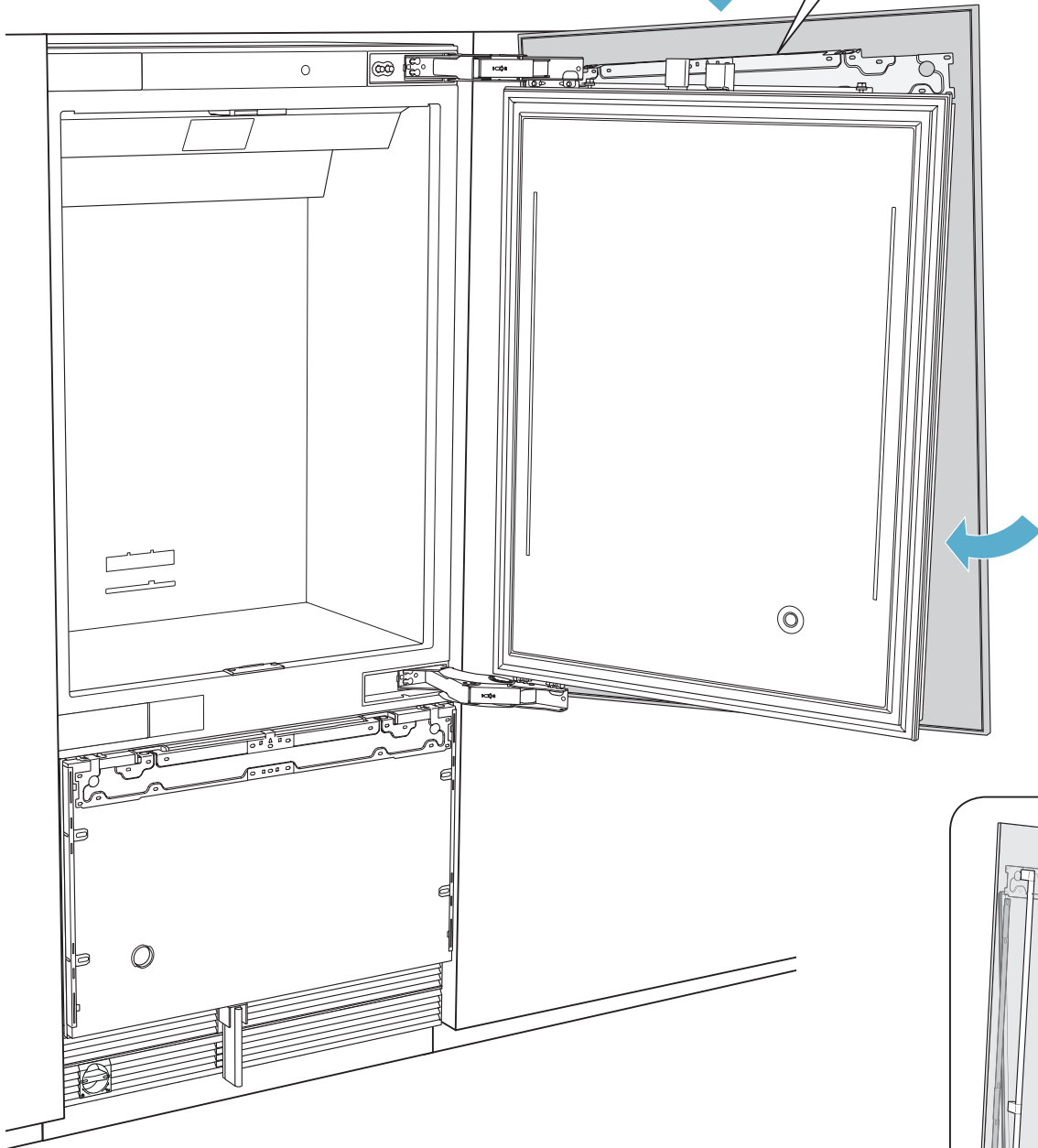
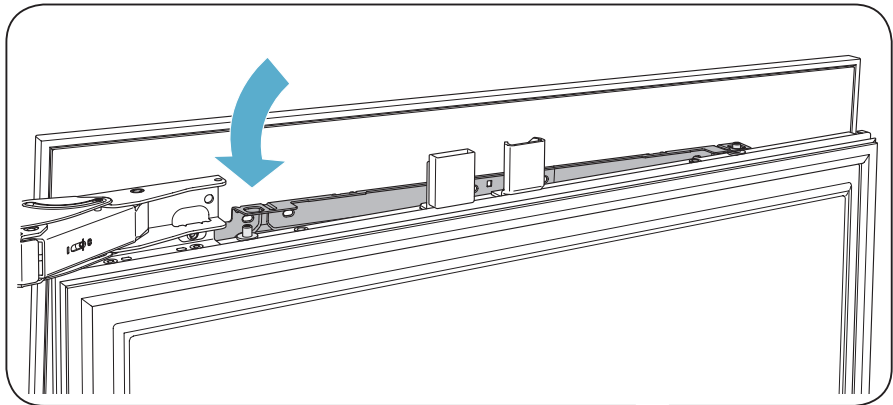
4x15	 	30" (762 mm) min. 10x
		36" (915 mm) 12x

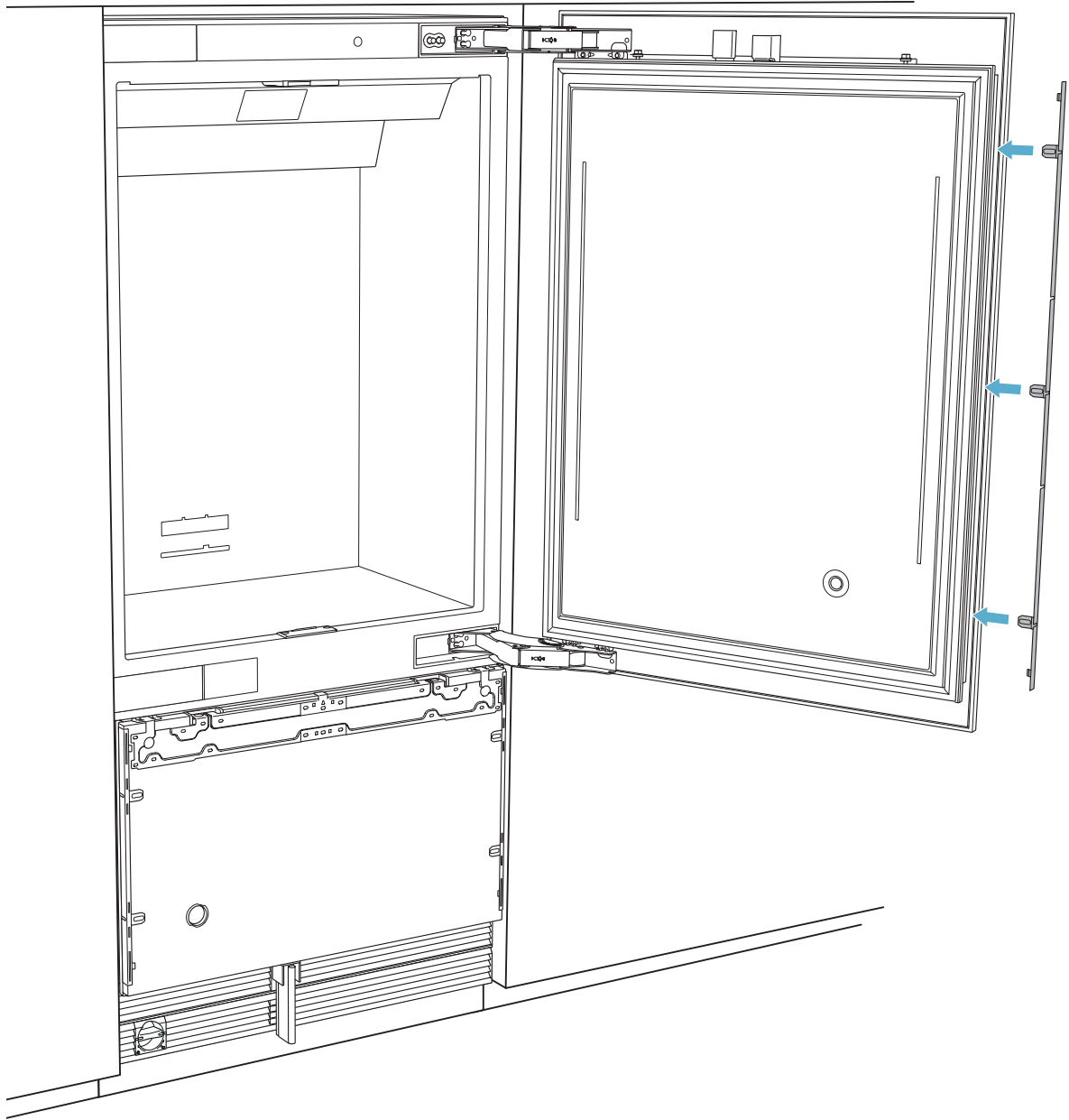
4x15   12x

A
B
C
D

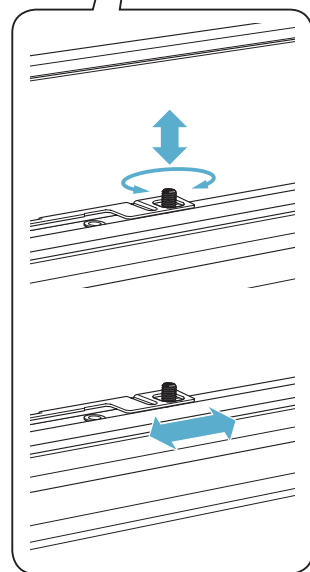
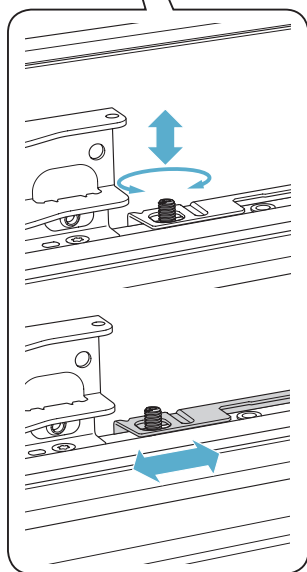
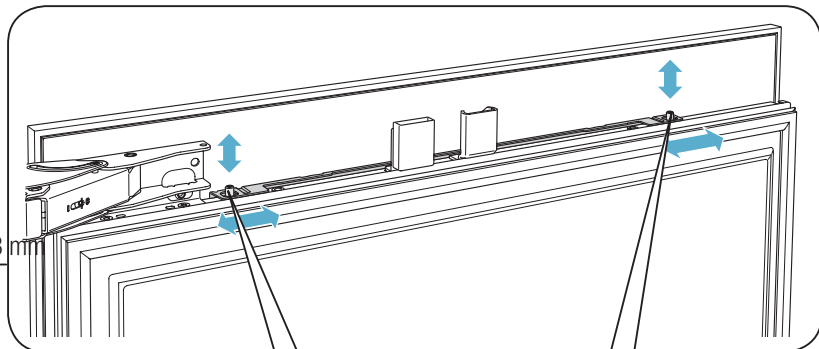
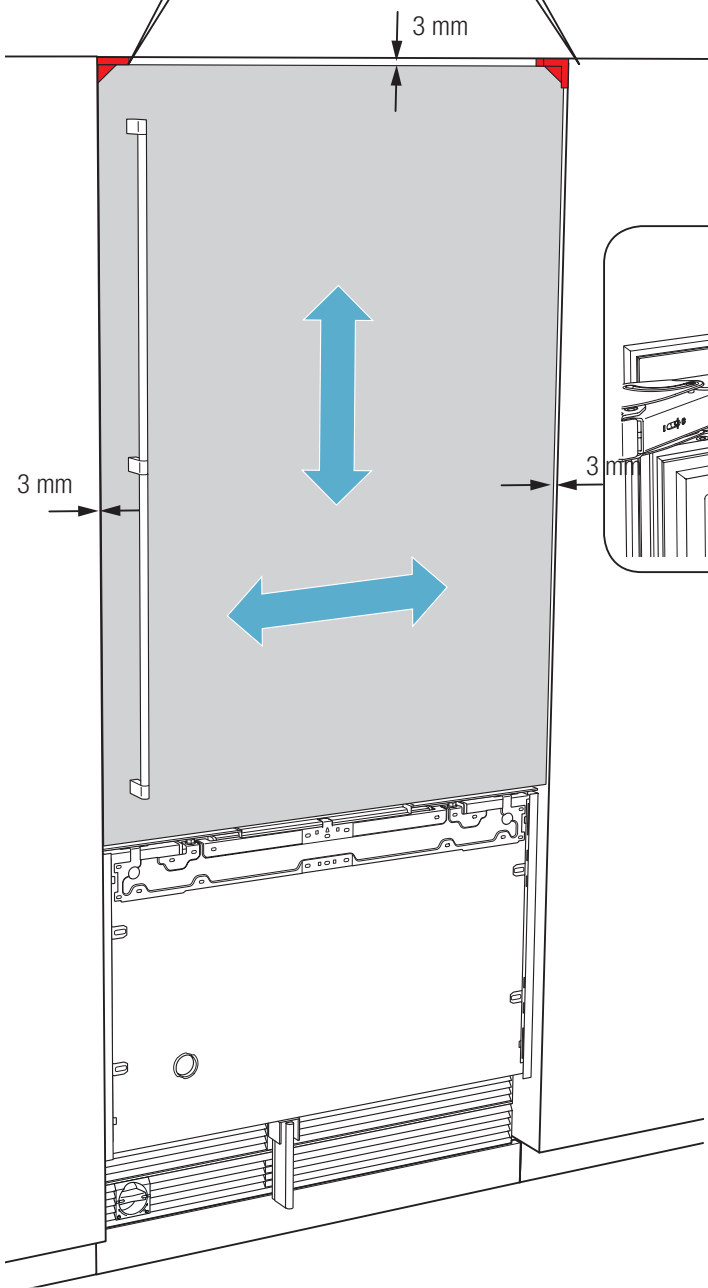
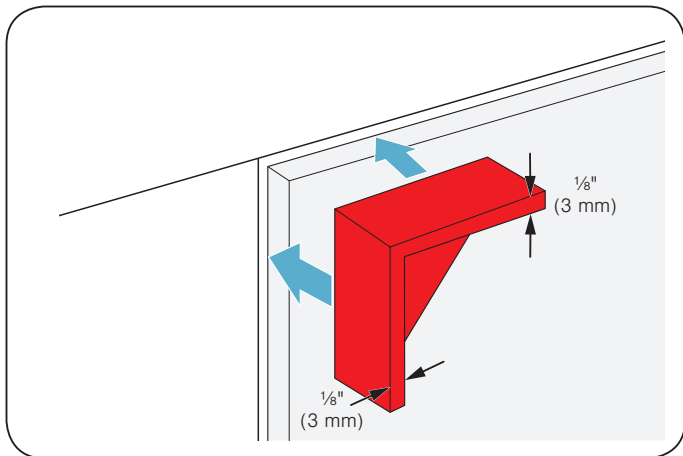


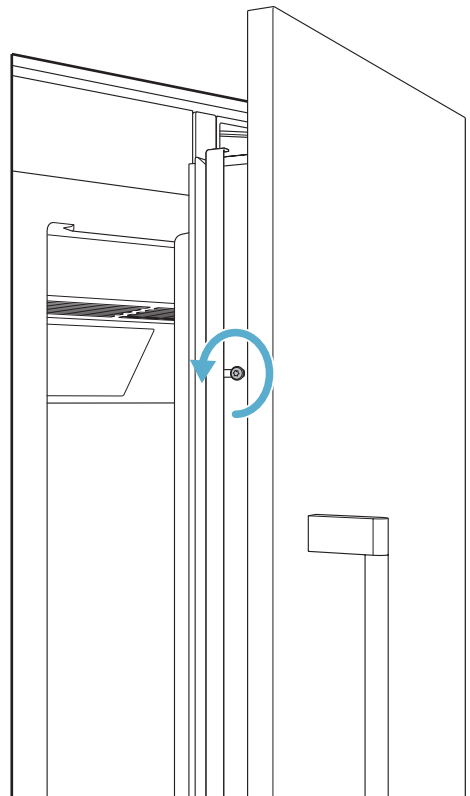
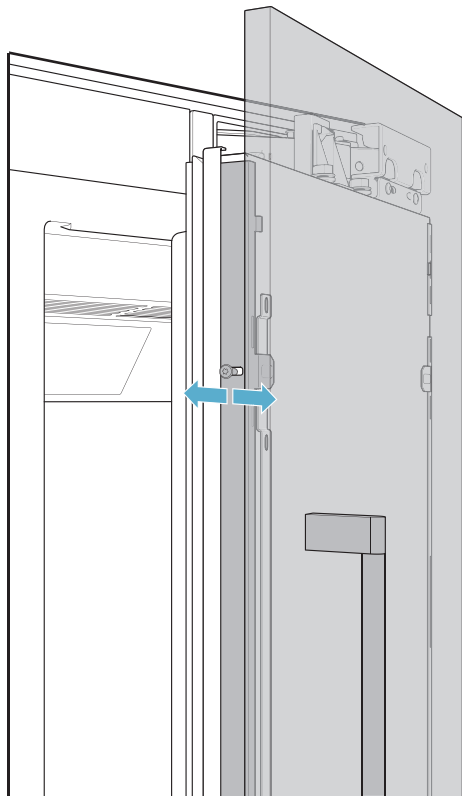
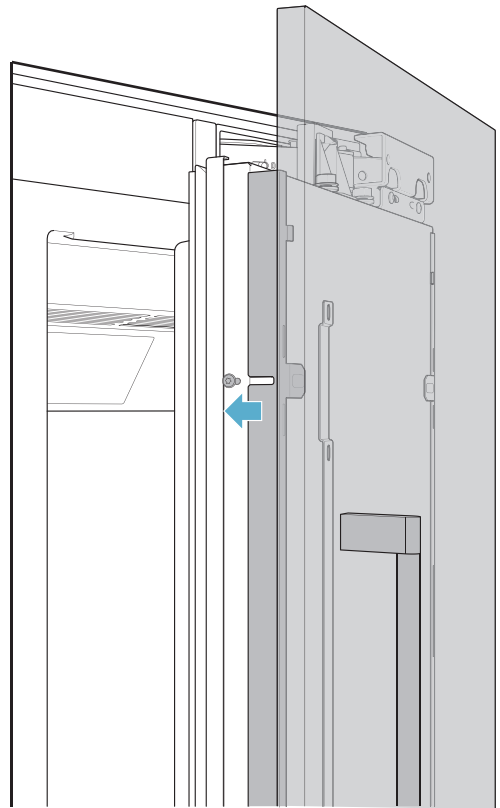
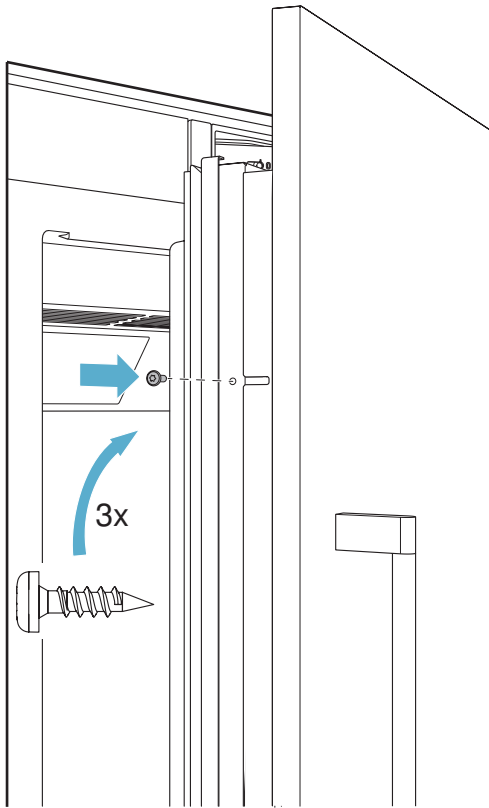
- A
- B
- C
- D



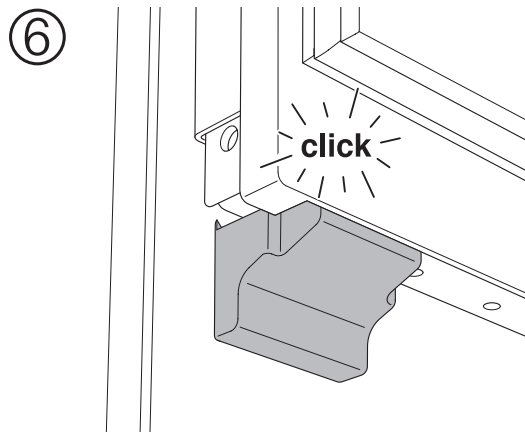
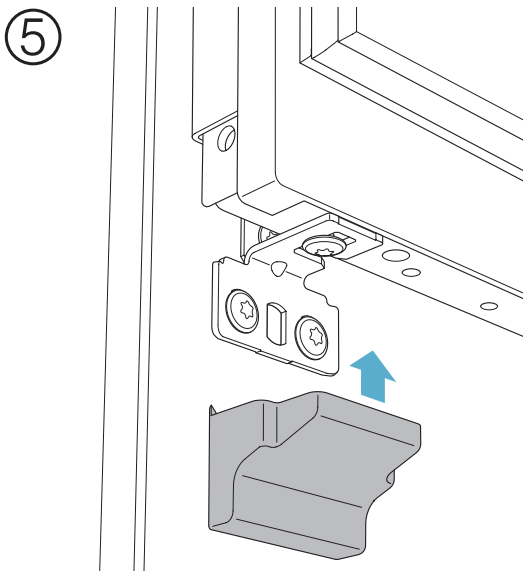
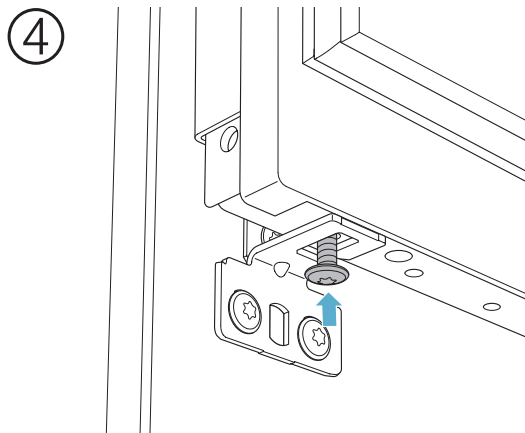
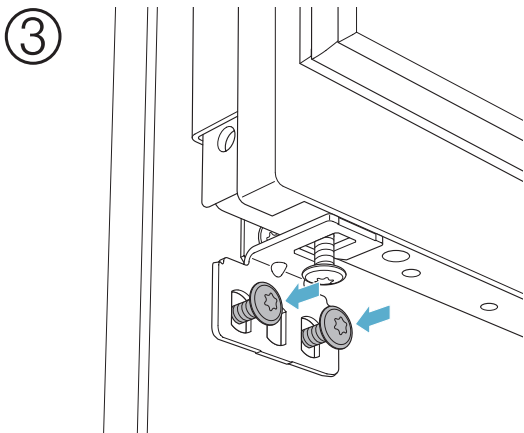
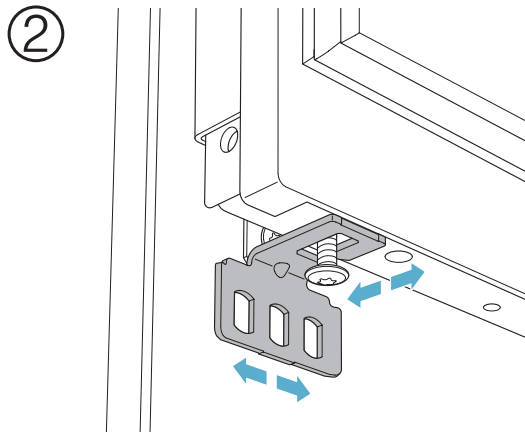
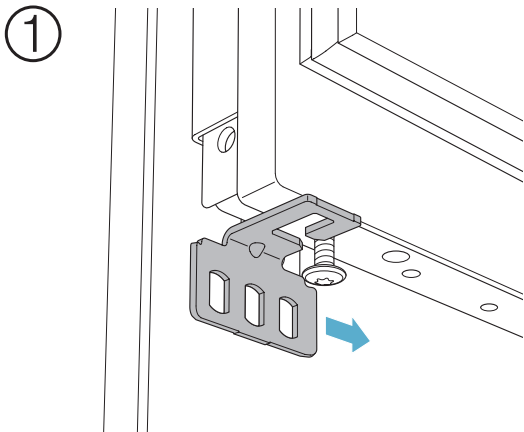
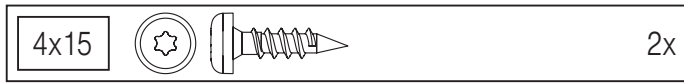
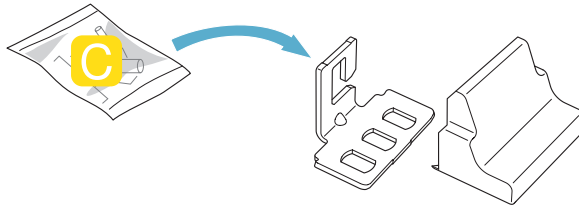
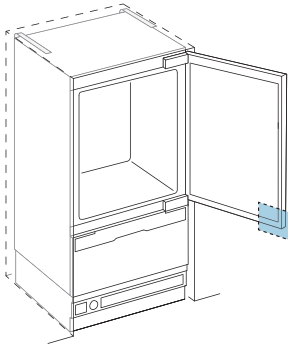


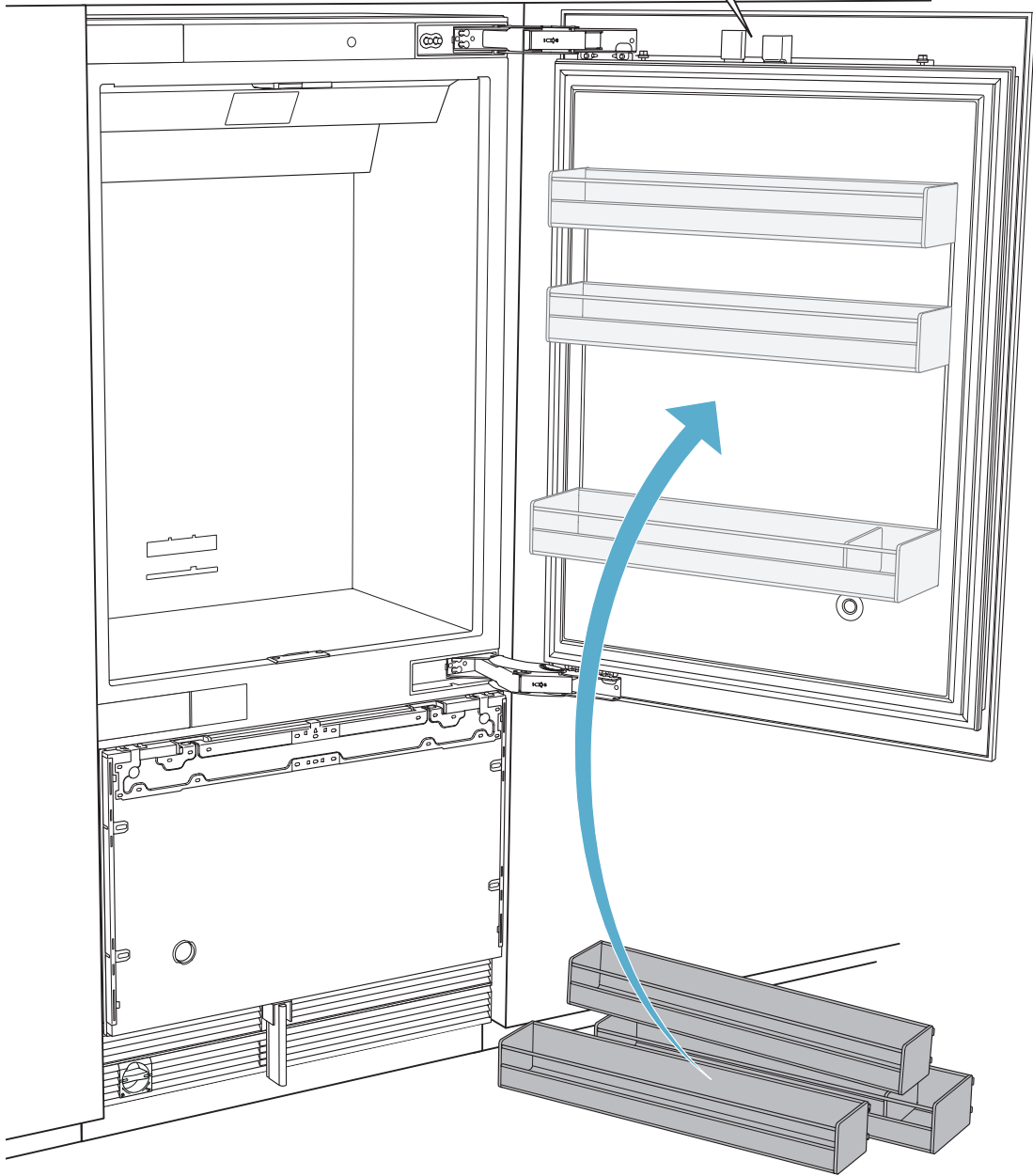
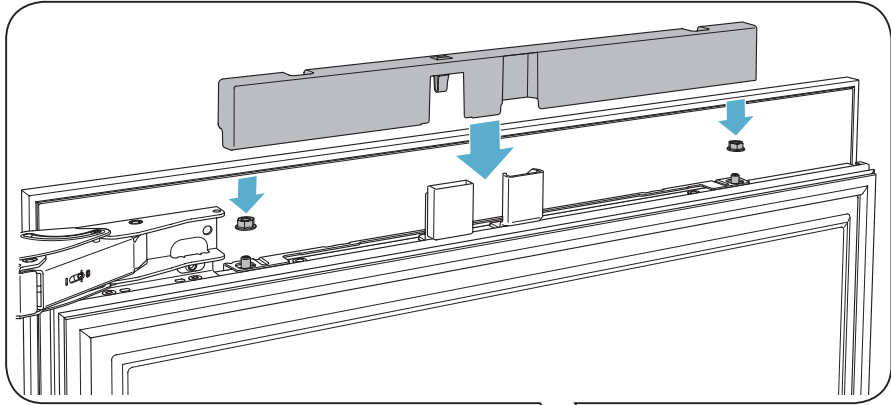
- A
- B
- C
- D



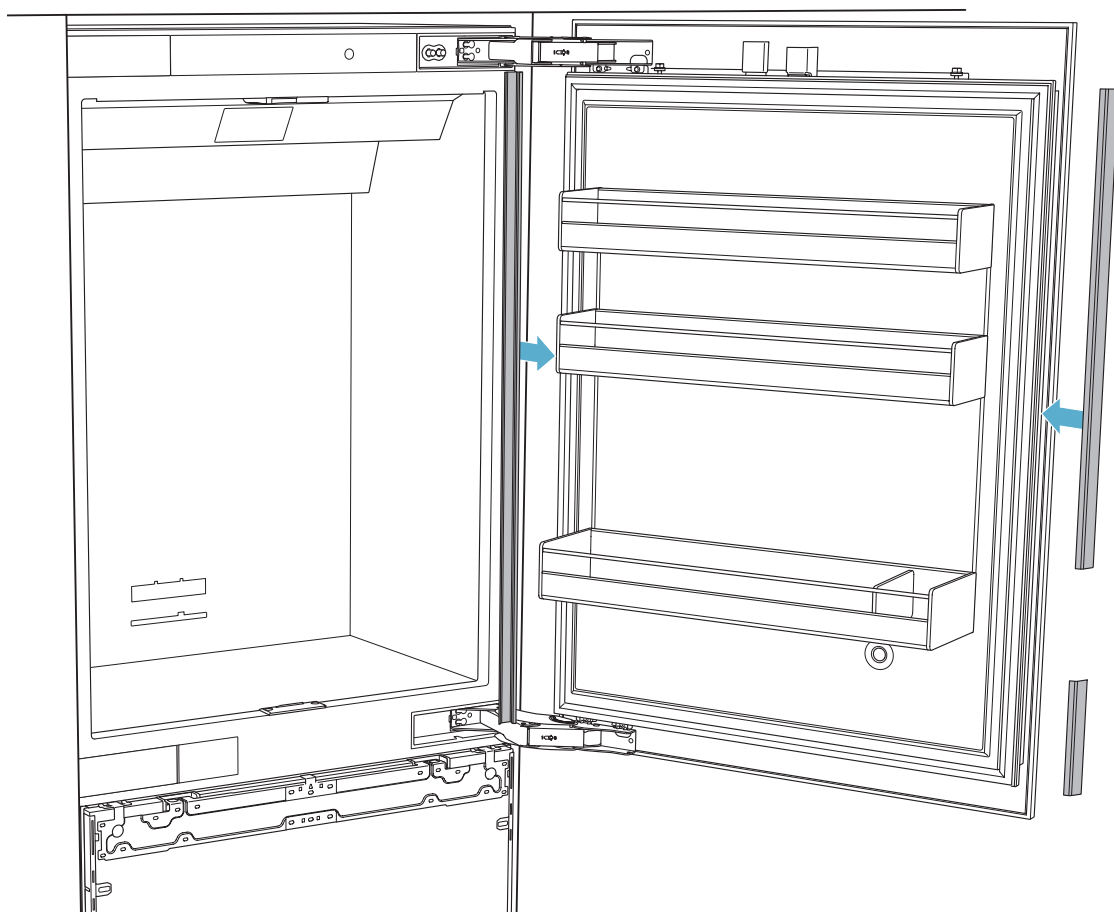
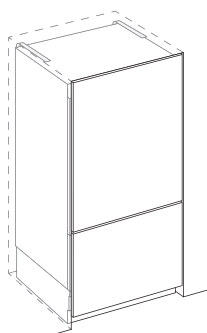
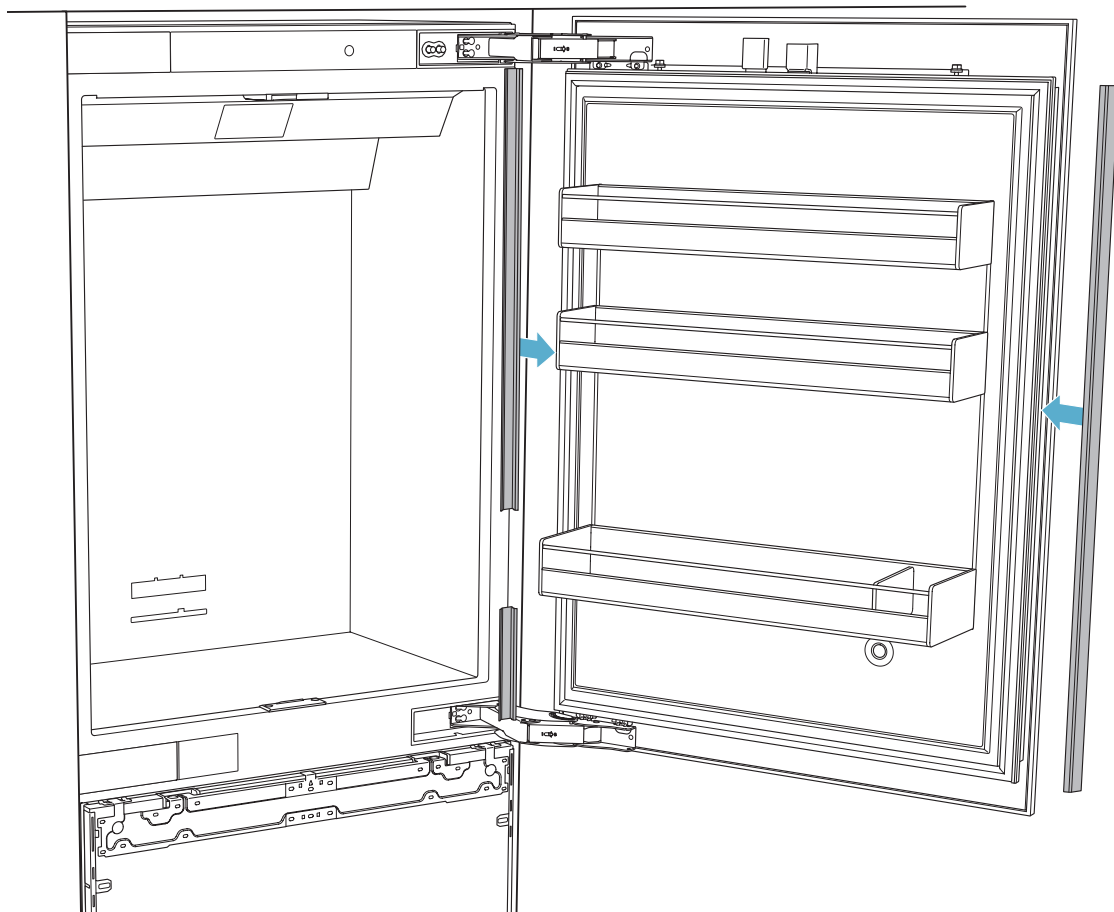
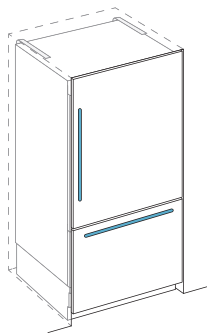


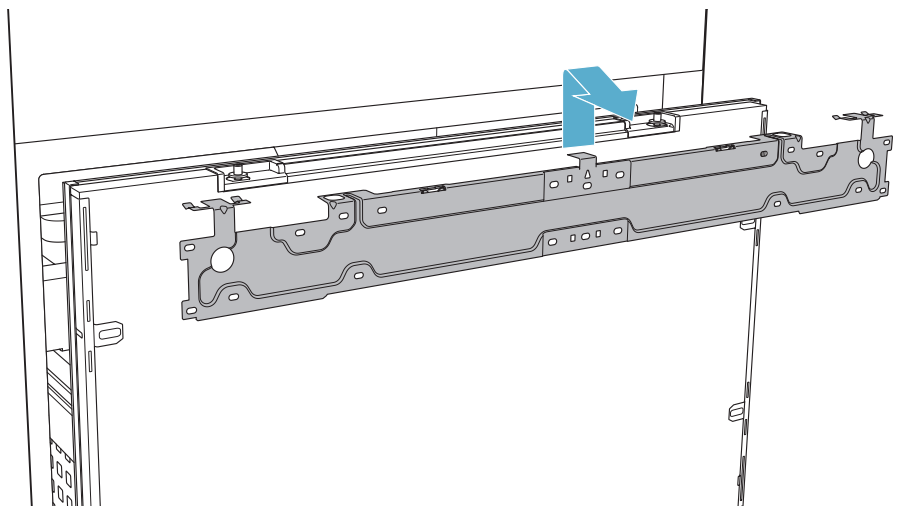
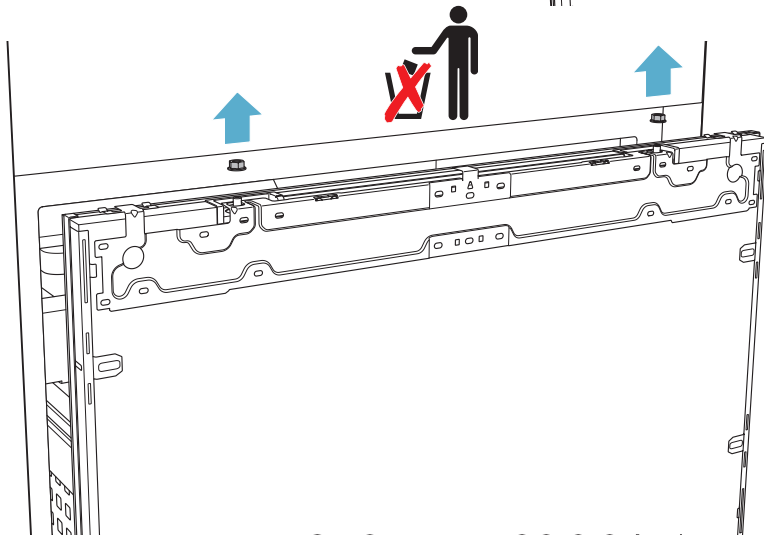
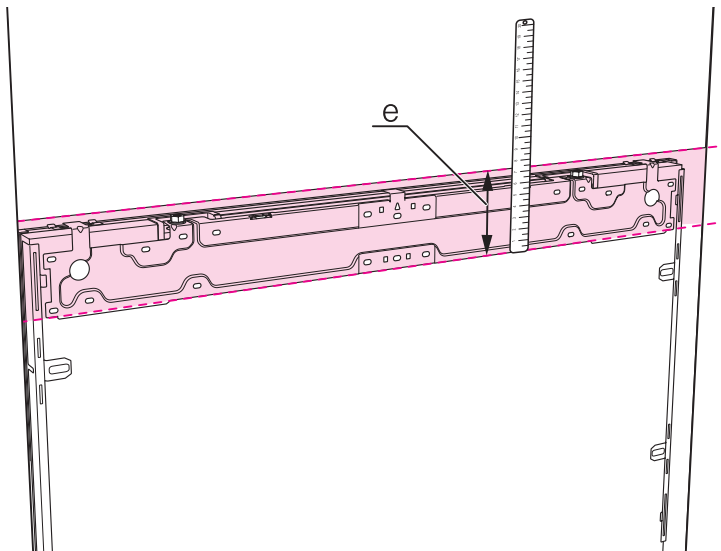
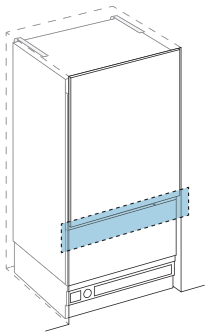
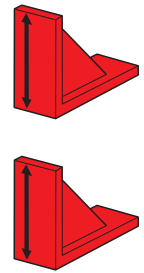
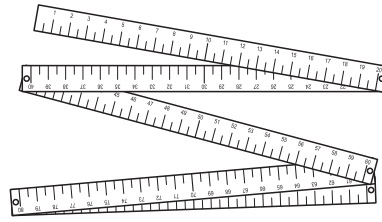
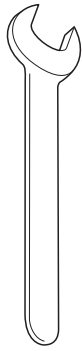
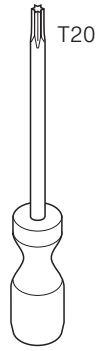
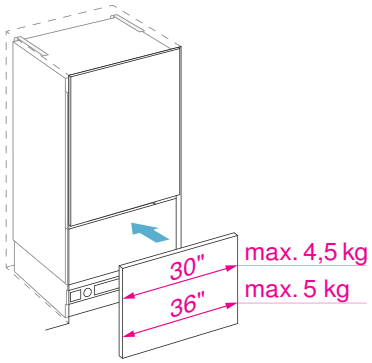
- A
- B
- C
- D



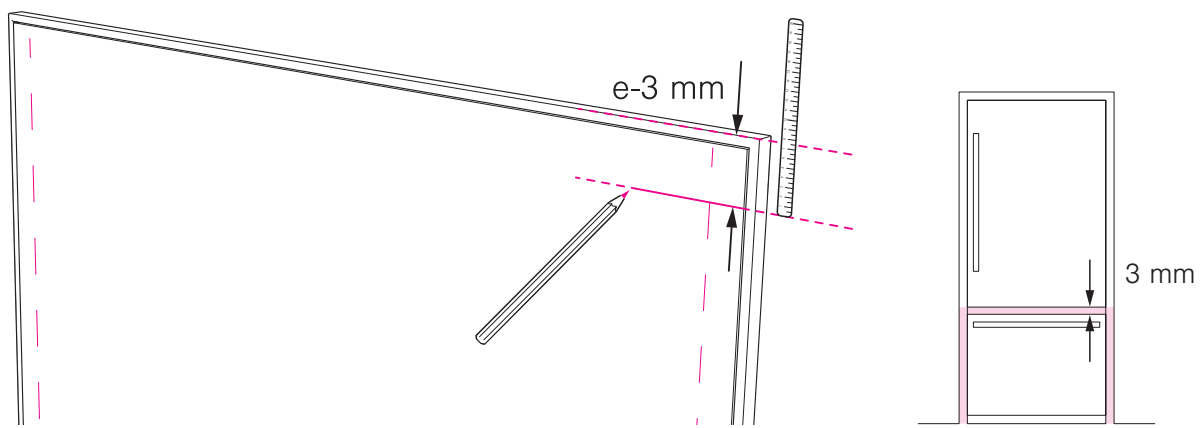
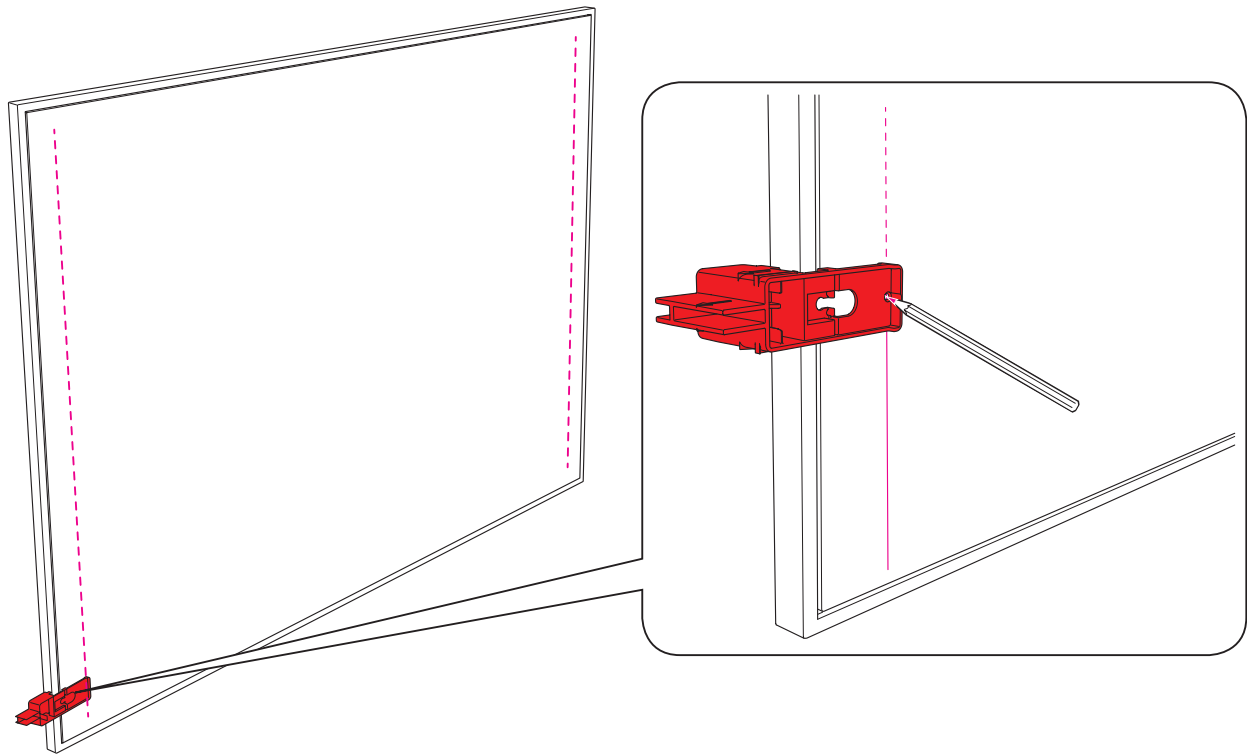
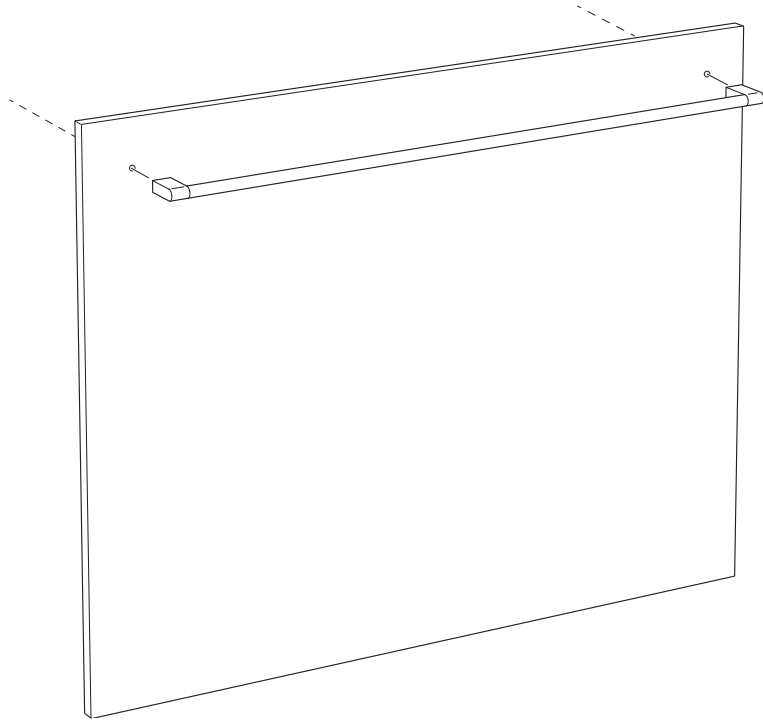
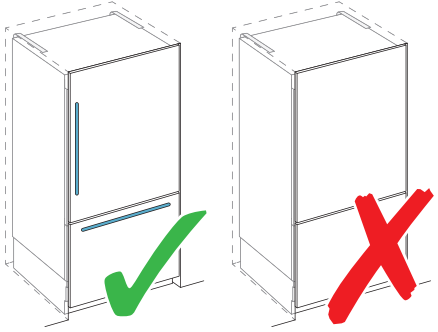



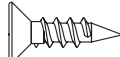
- A
- B
- C
- D

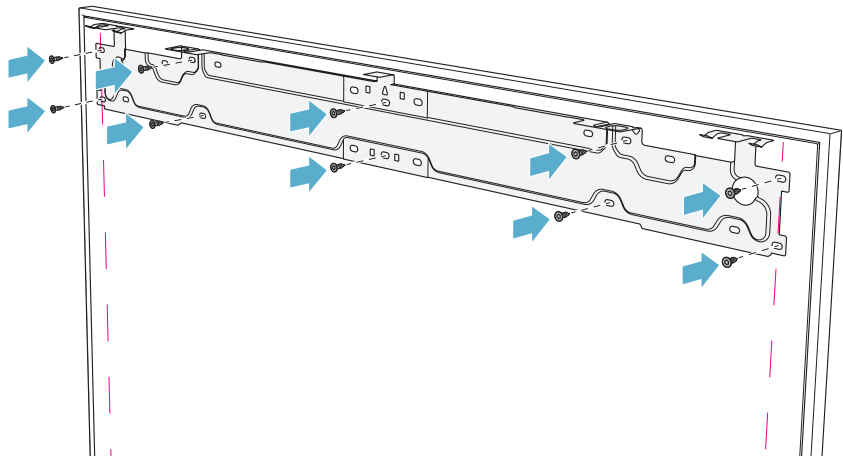
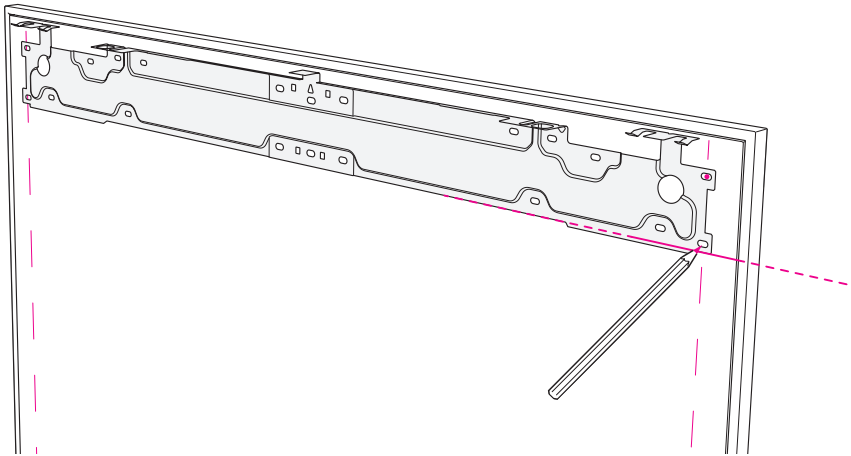



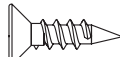


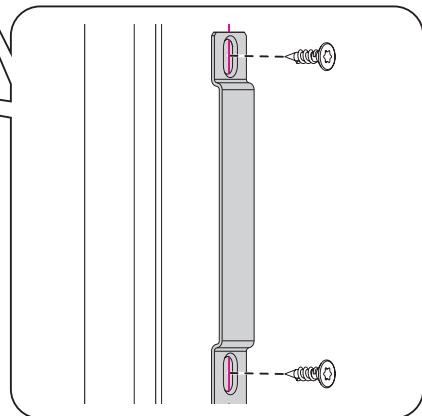
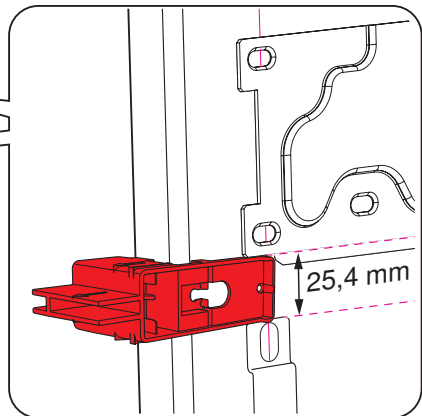
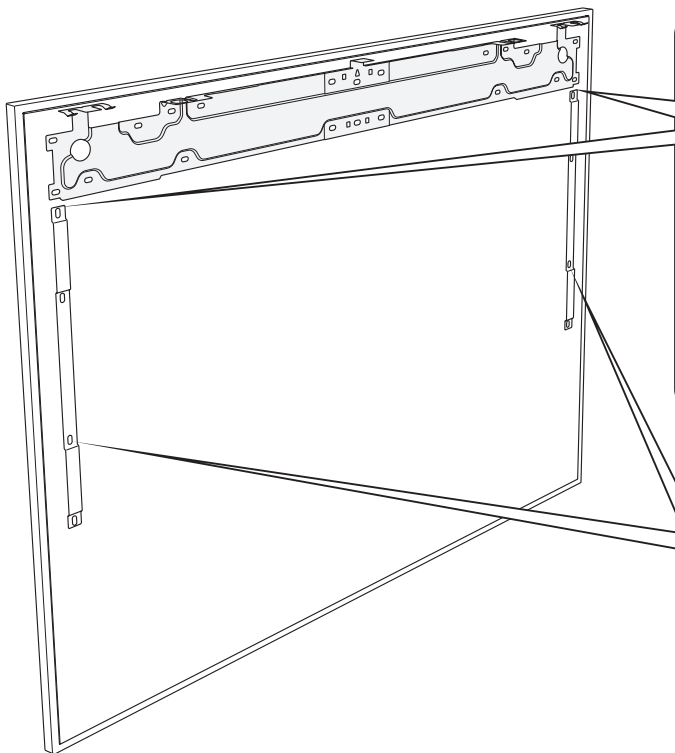
- A
- B
- C
- D



4x15   10x

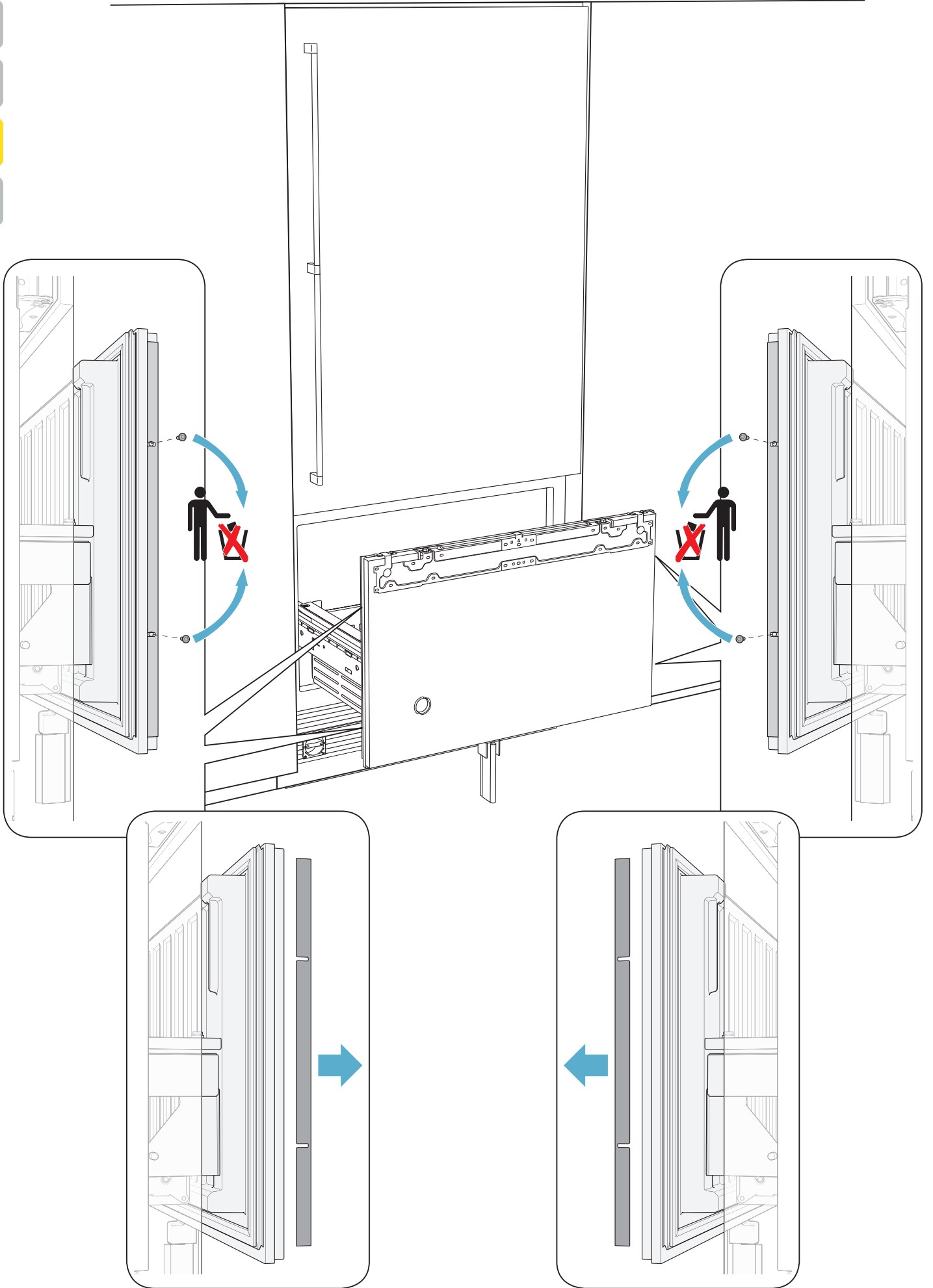


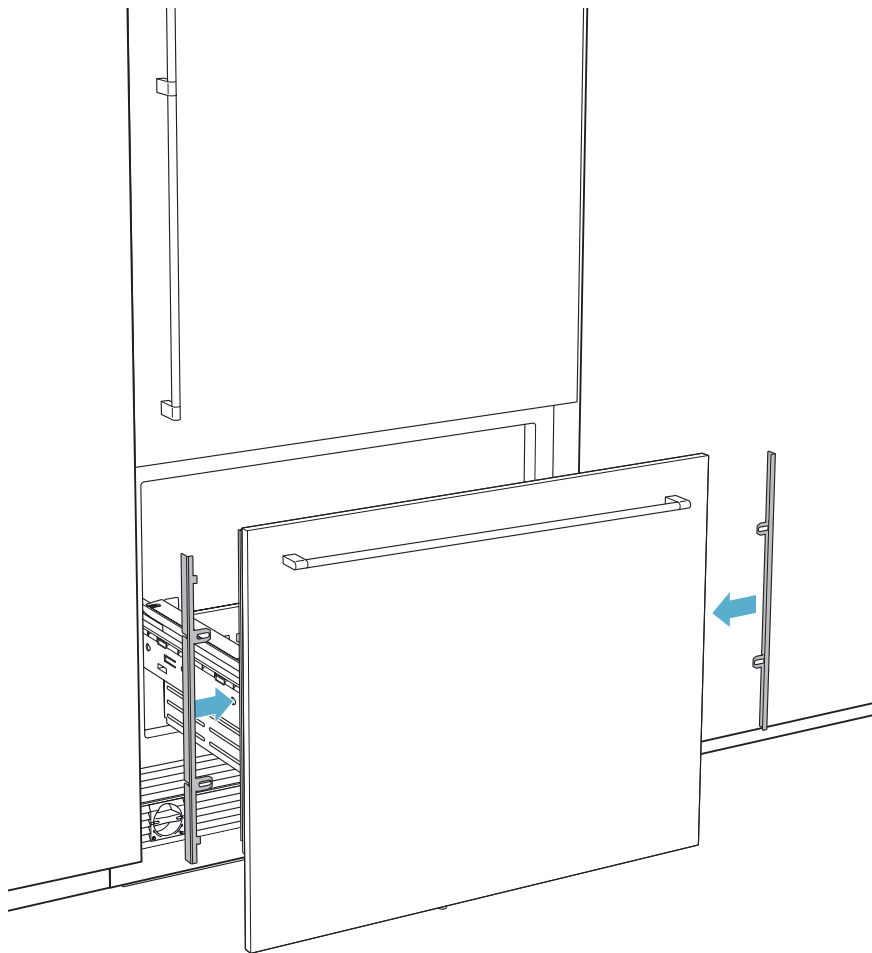
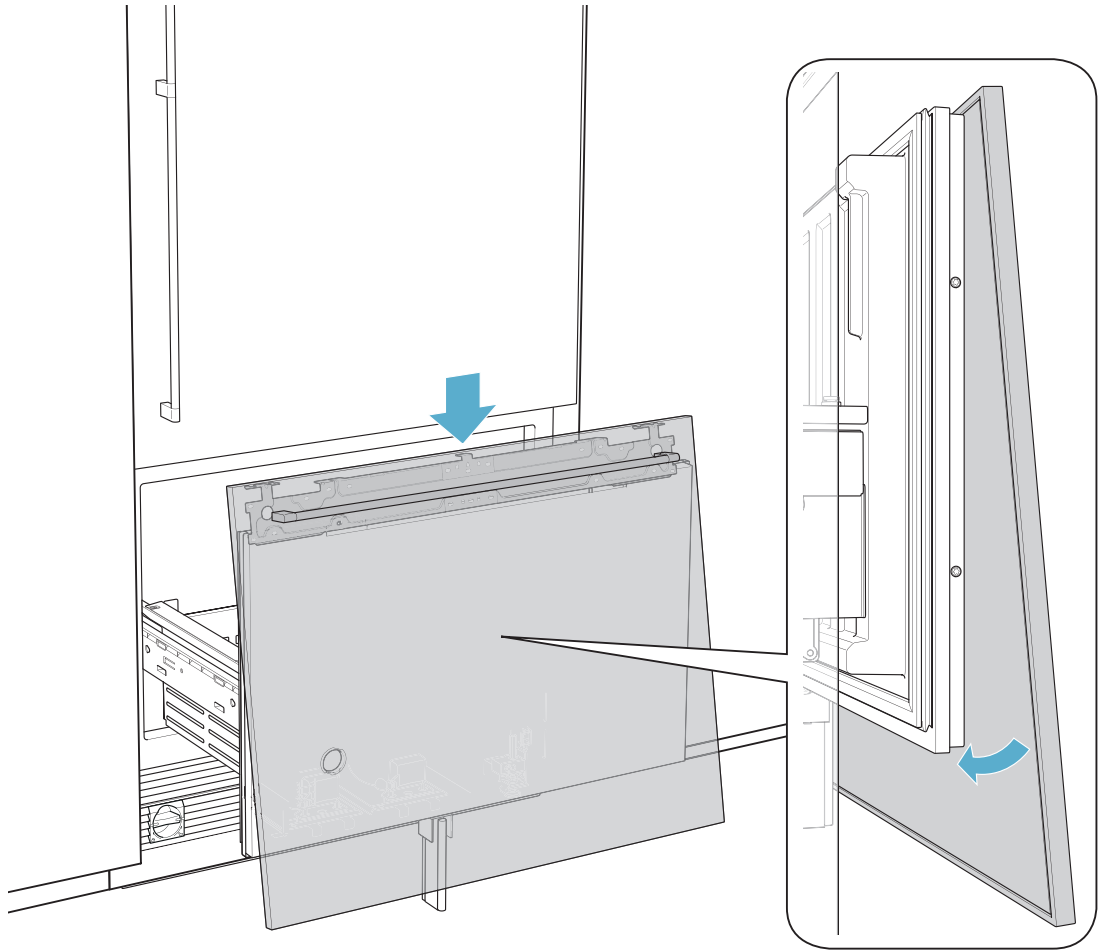
4x15   8x



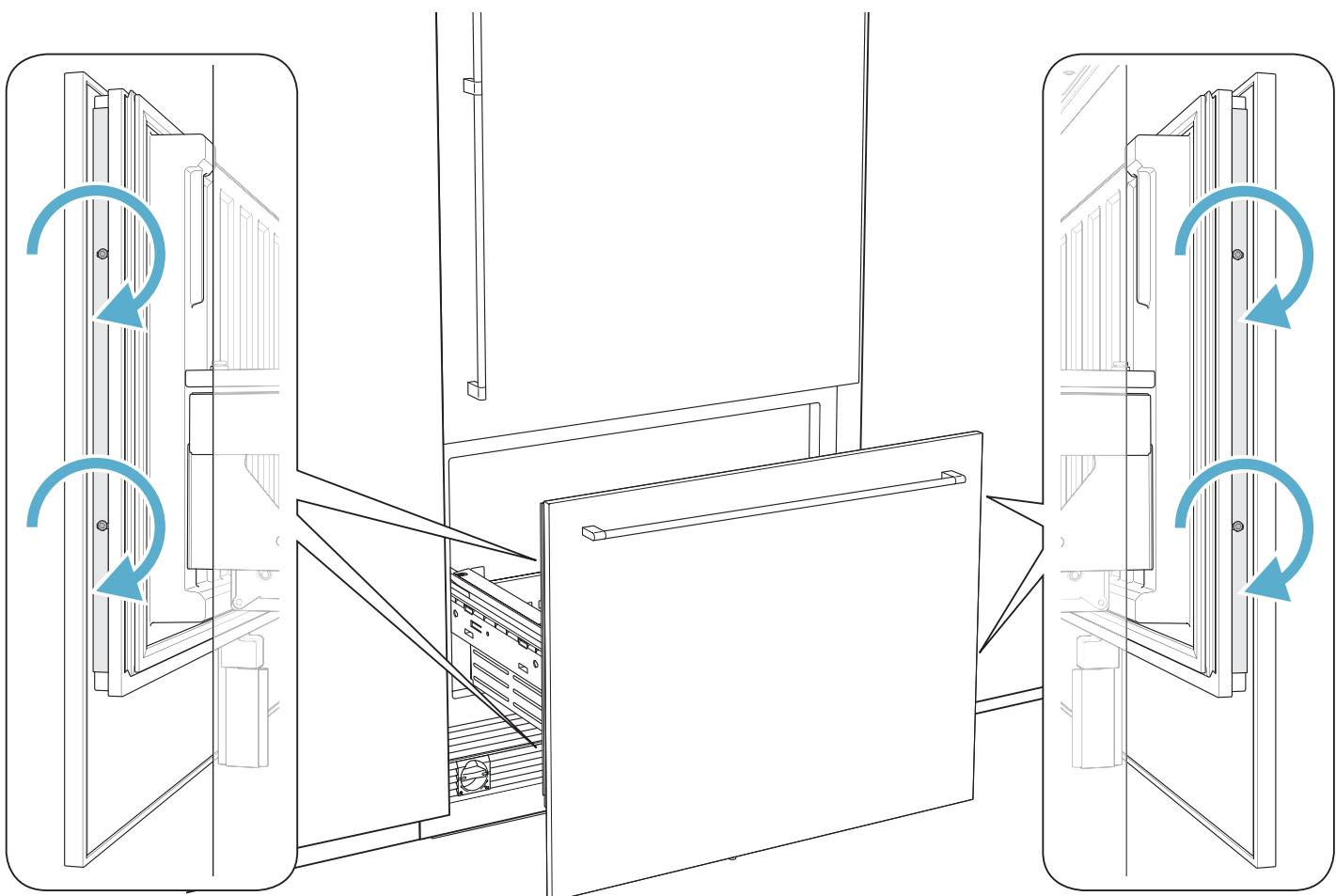
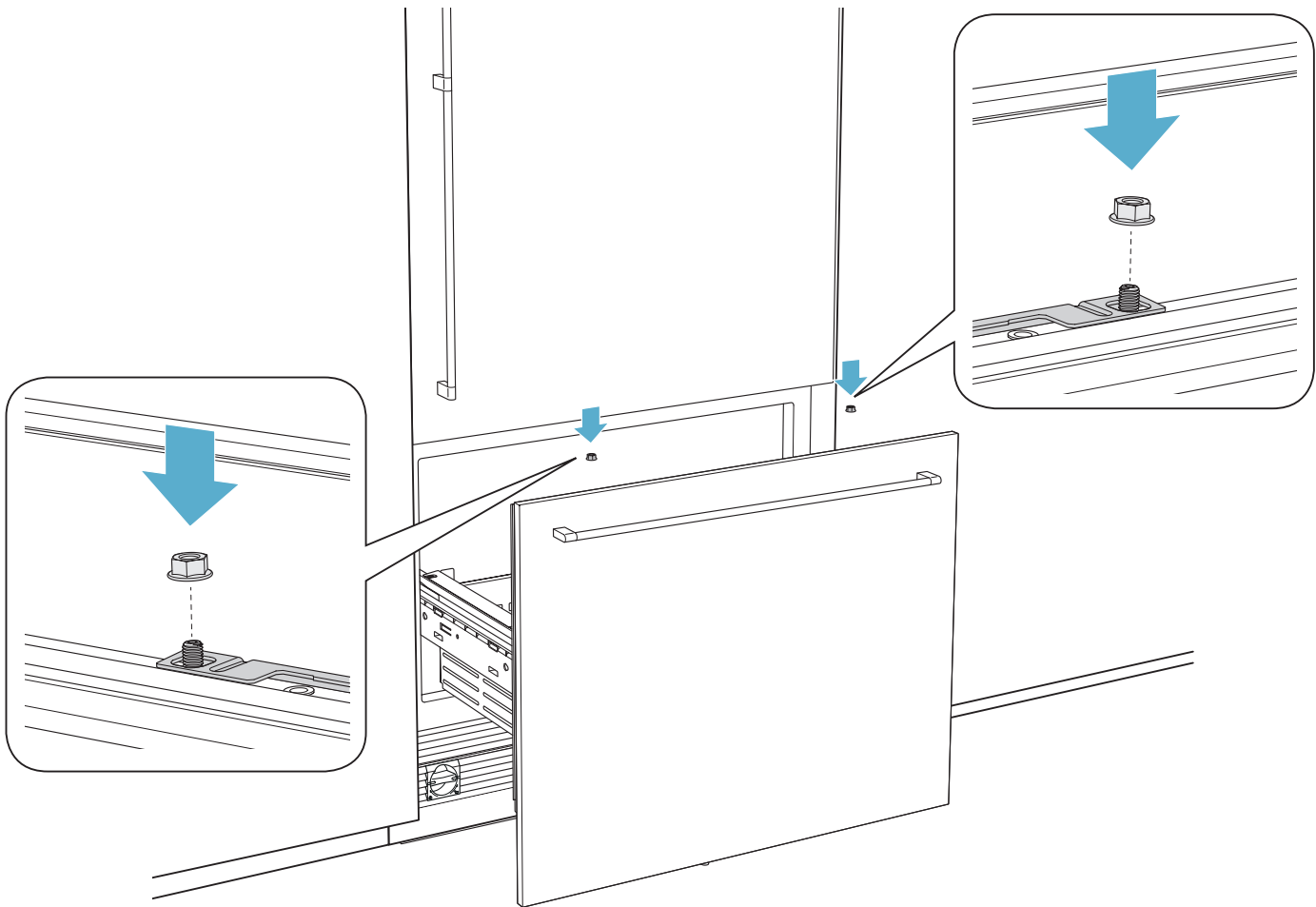
A
B
C
D

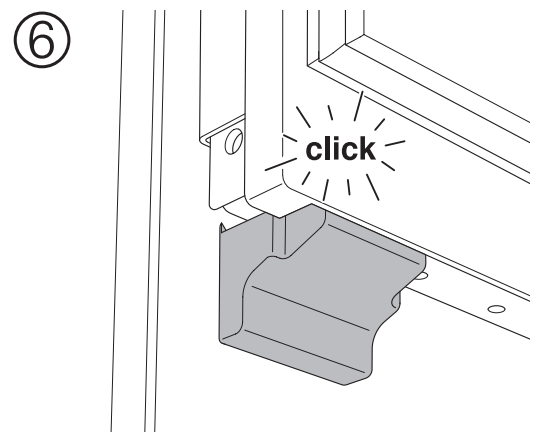
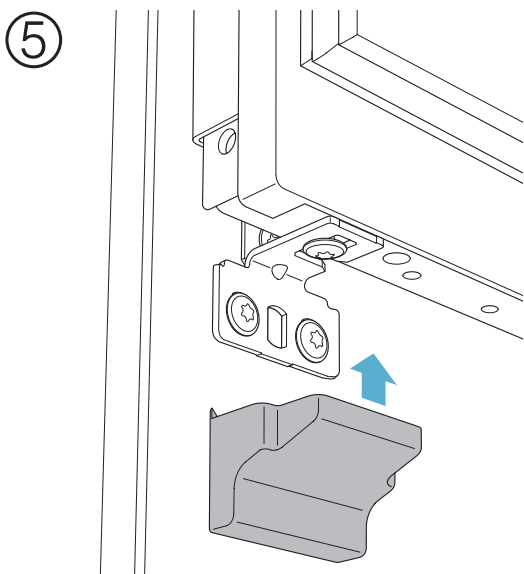
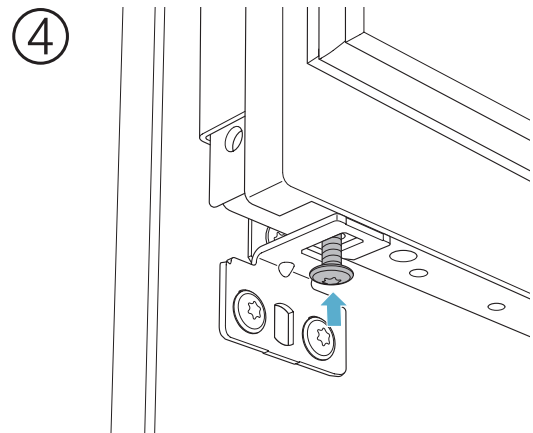
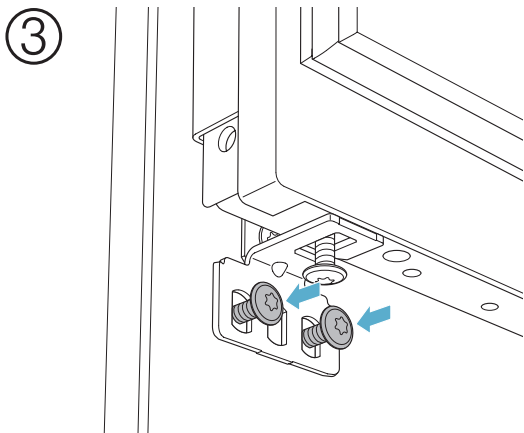
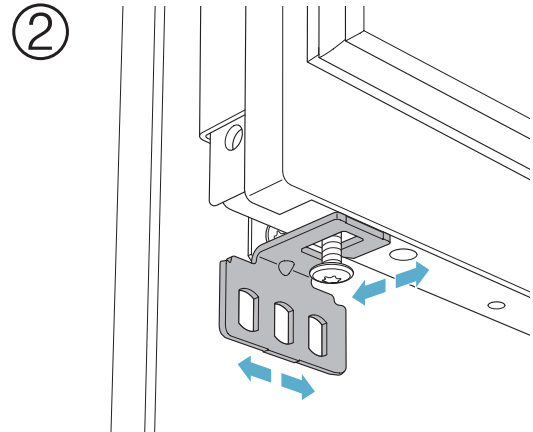
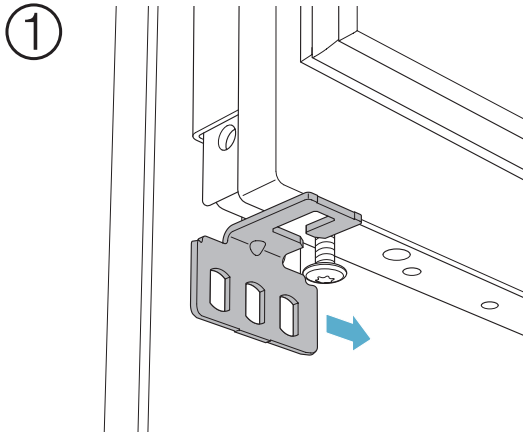
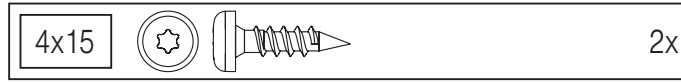
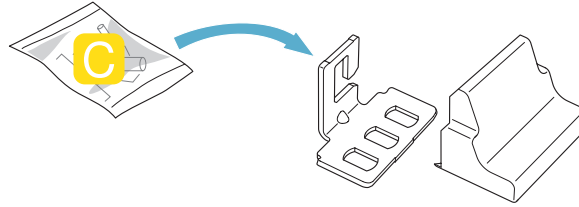
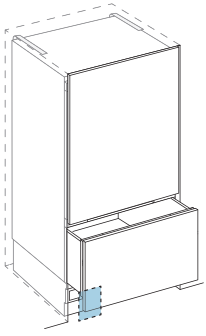
- A
- B
- C
- D



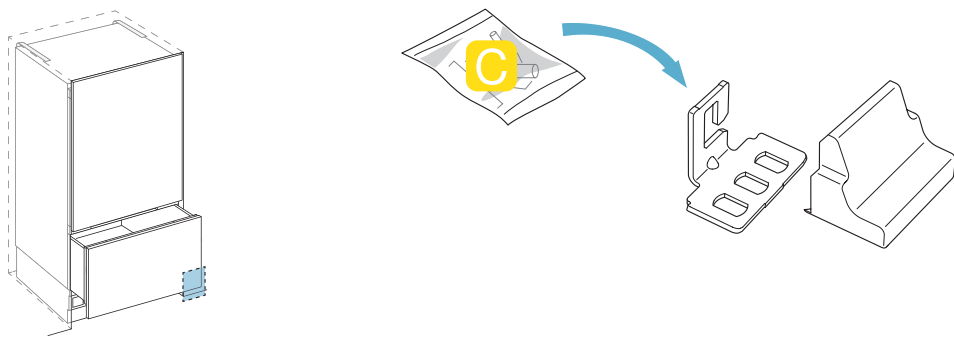


- A
- B
- C
- D

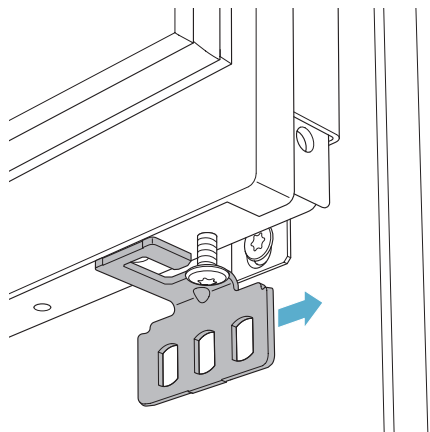




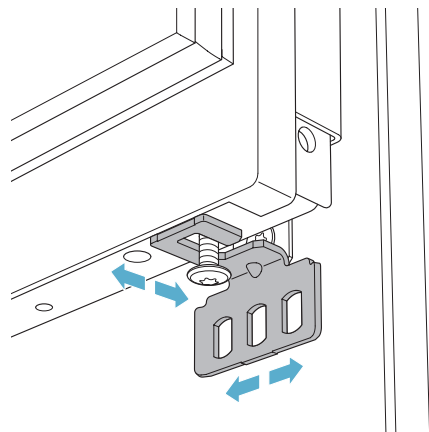
- A
- B
- C
- D



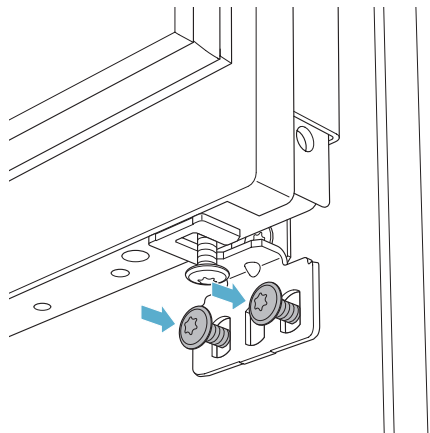
①



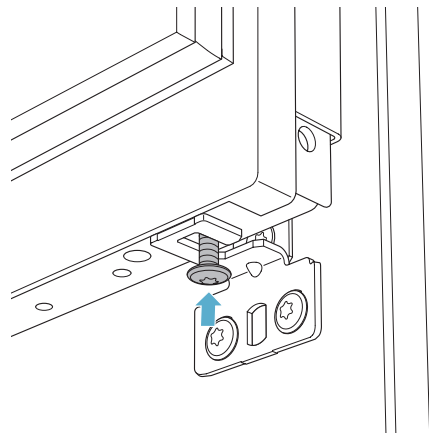
②



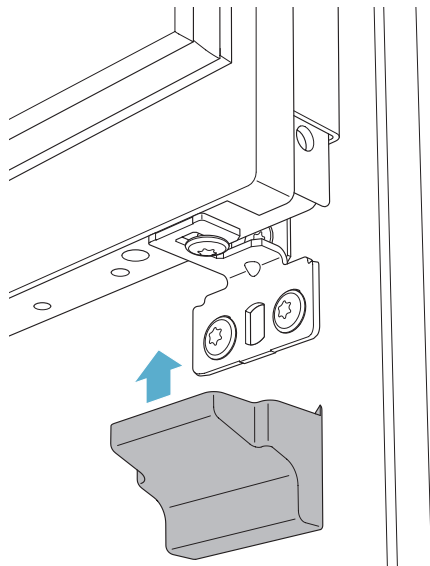
③



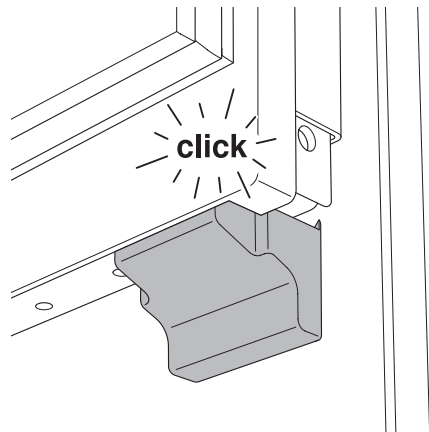
④

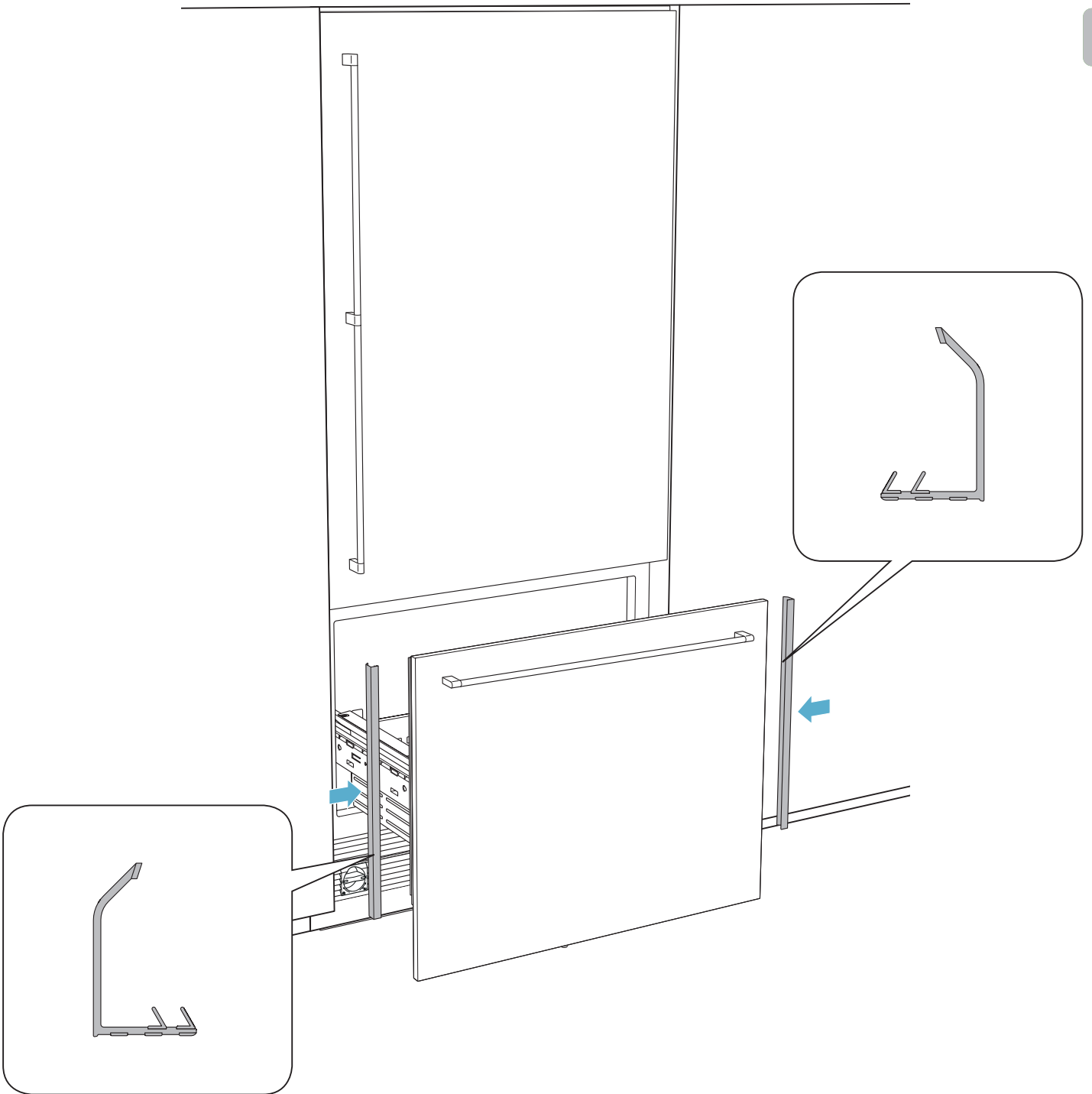


⑤

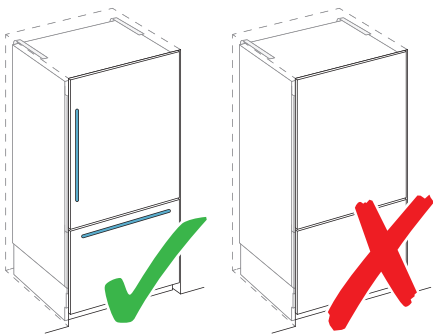
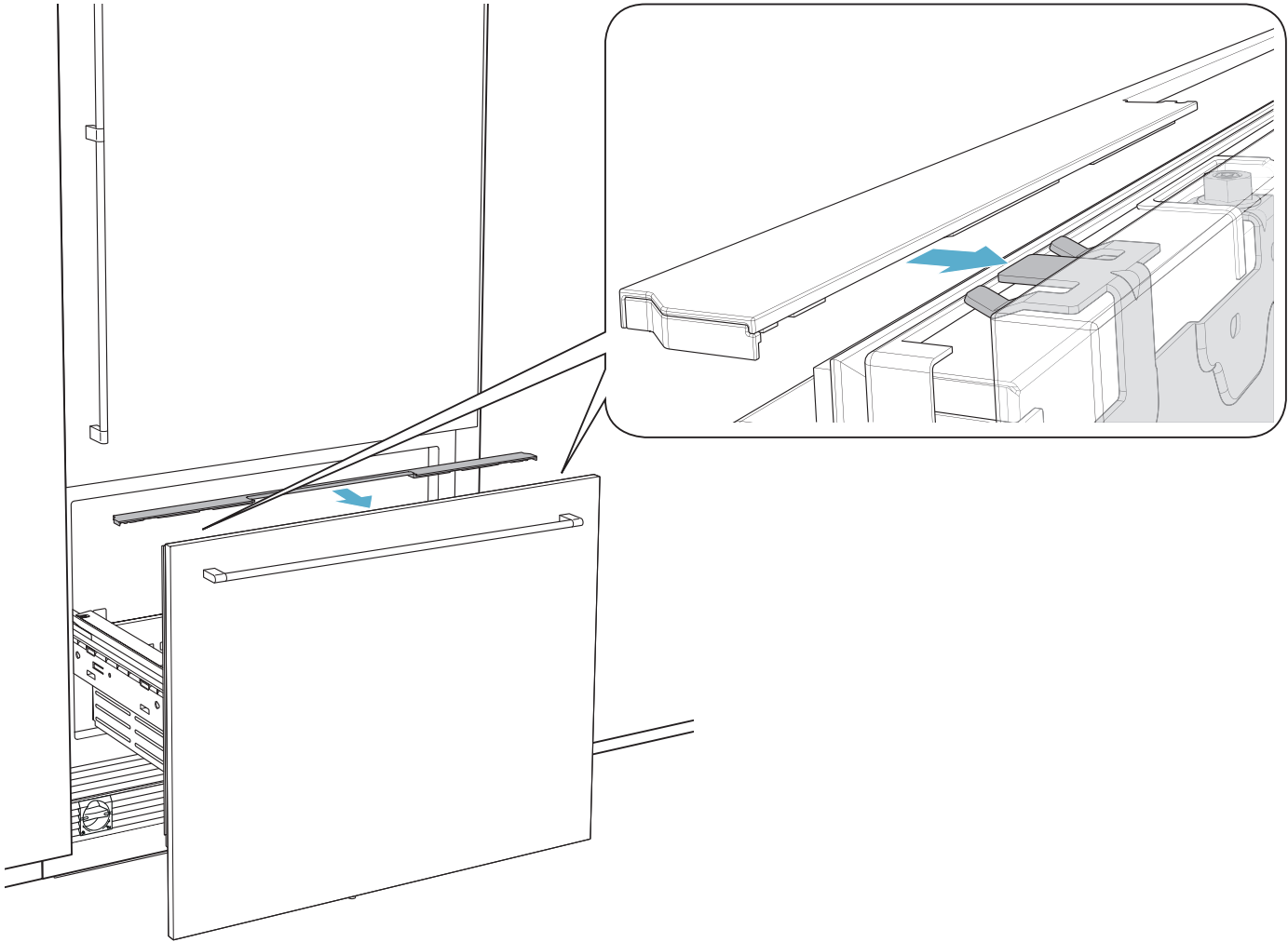


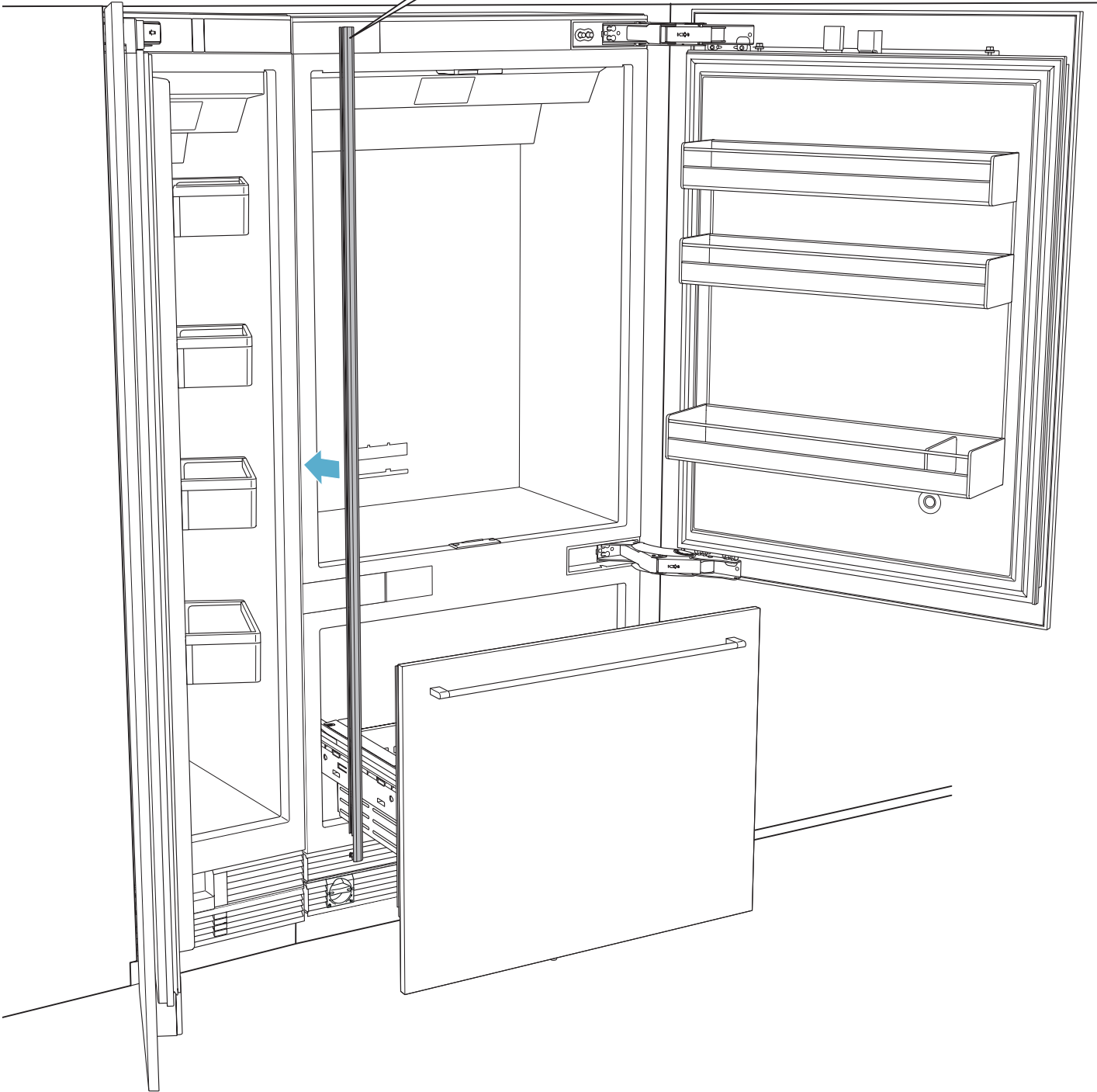
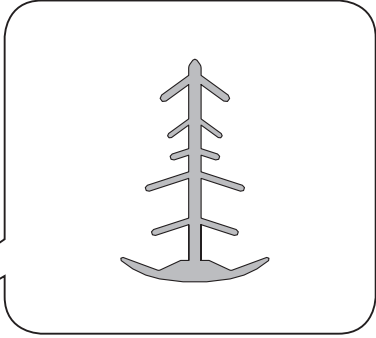
⑥

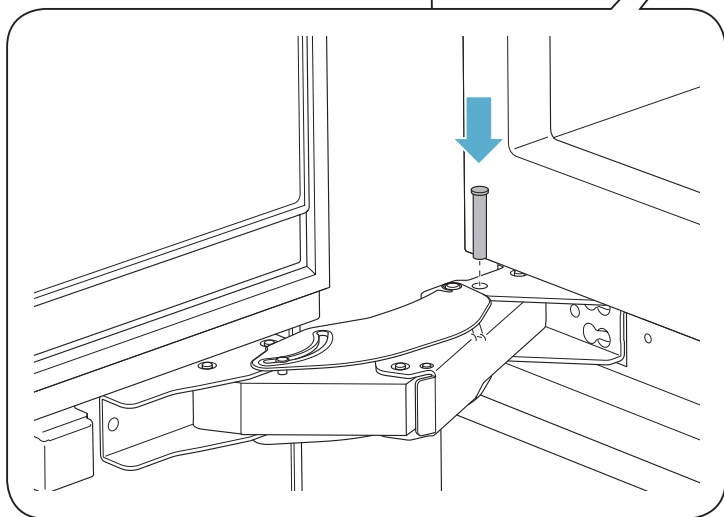
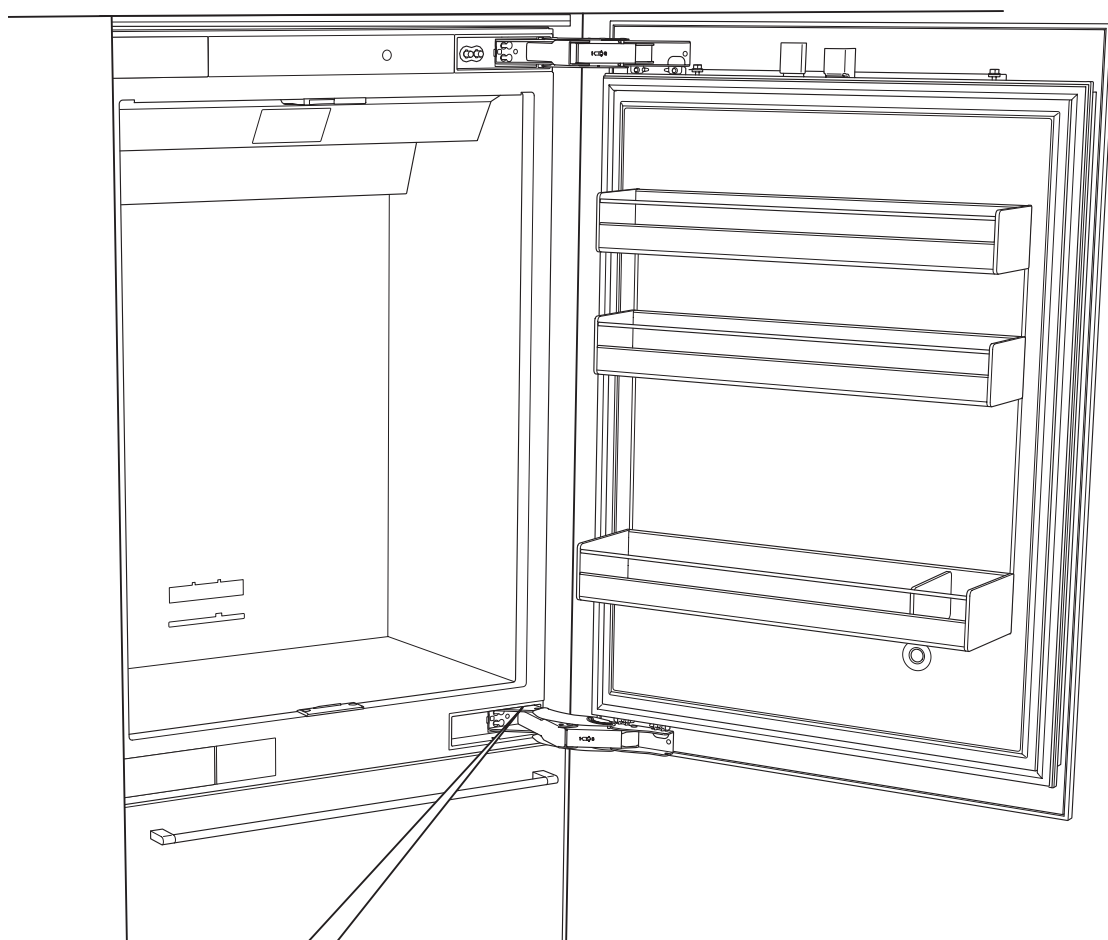
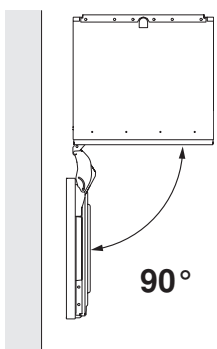
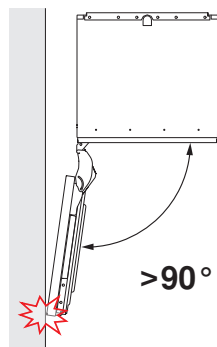
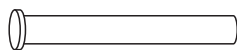




- A
- B
- C
- D









Gaggenau Hausgeräte GmbH
Carl-Wery-Straße 34
D-81739 München
www.gaggenau.com

8001170333 (0009)
xx

GAGGENAU

