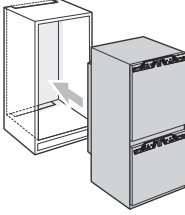
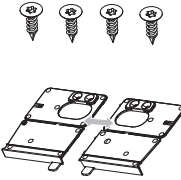
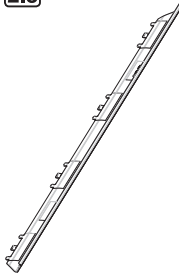
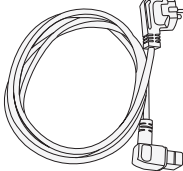
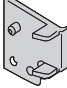
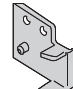


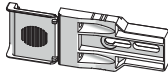

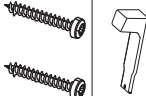
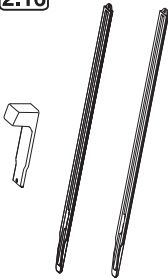

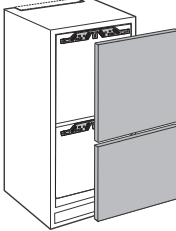






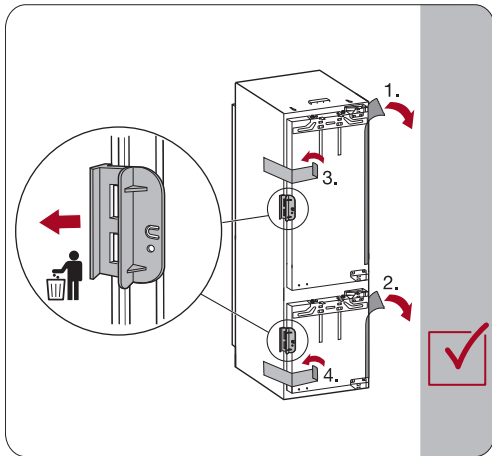
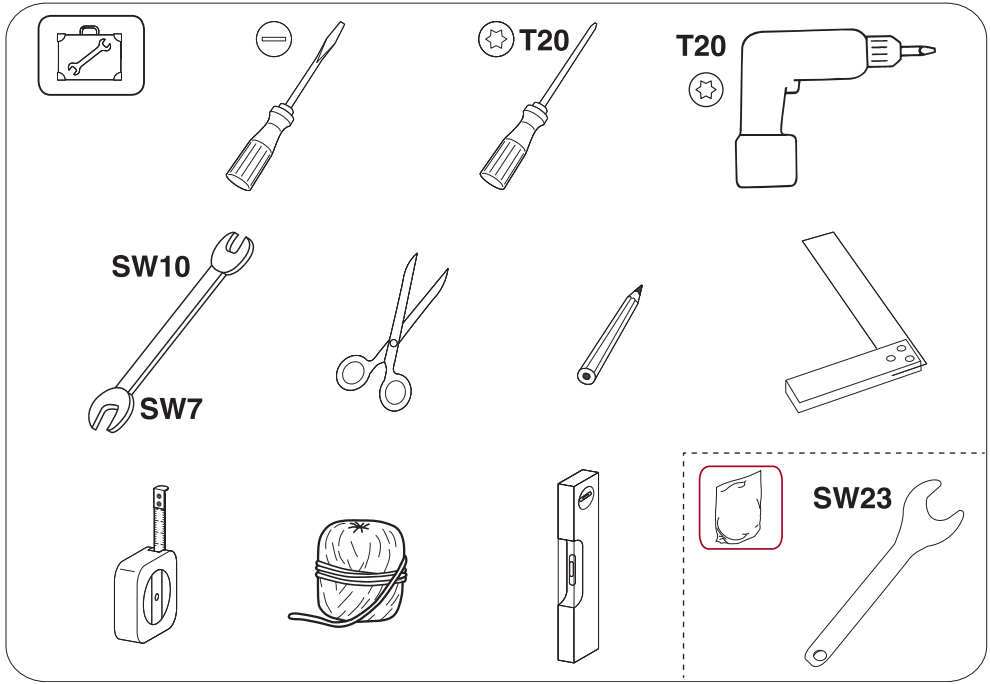
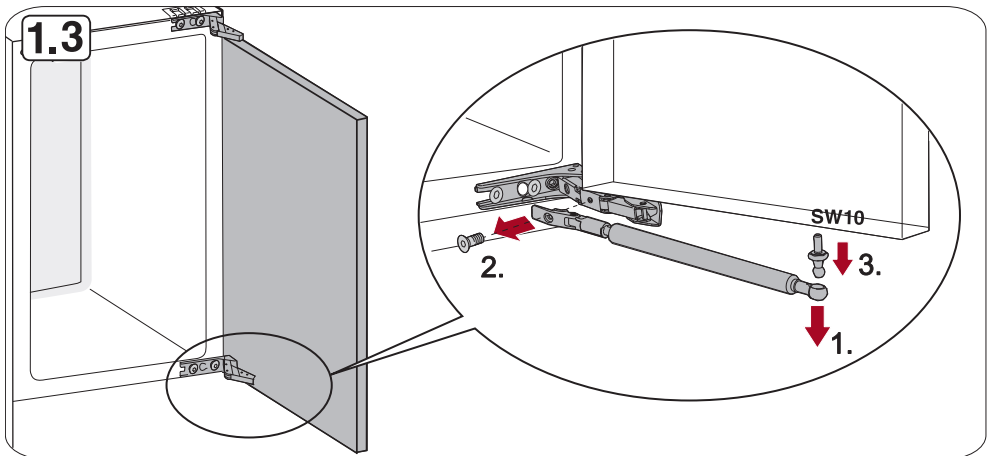
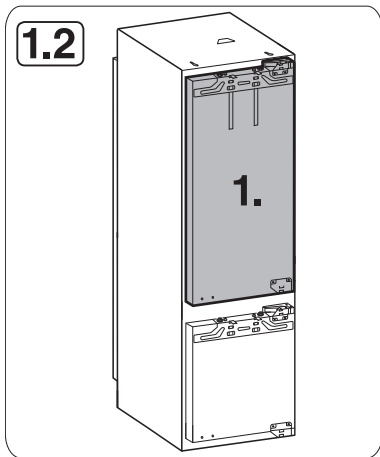
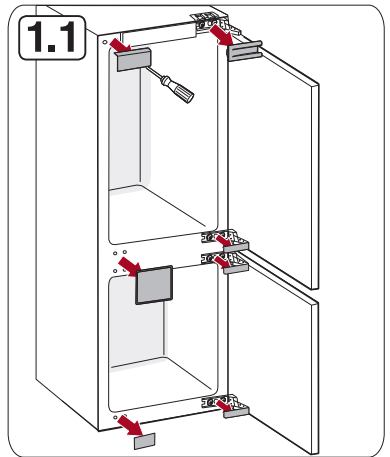
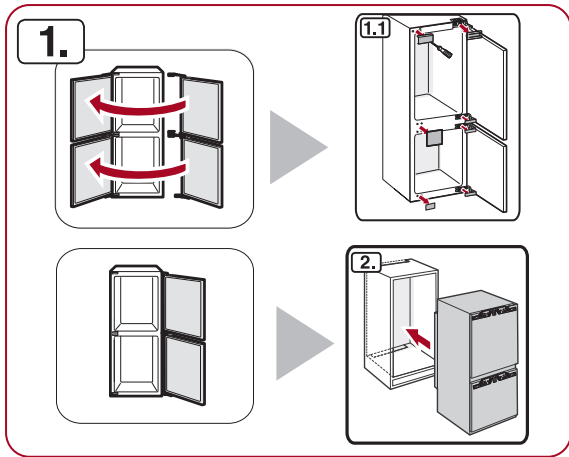
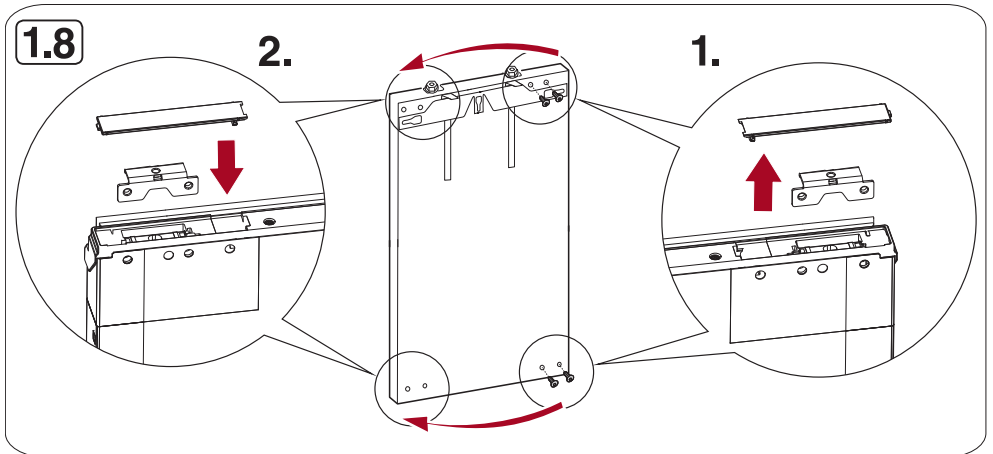
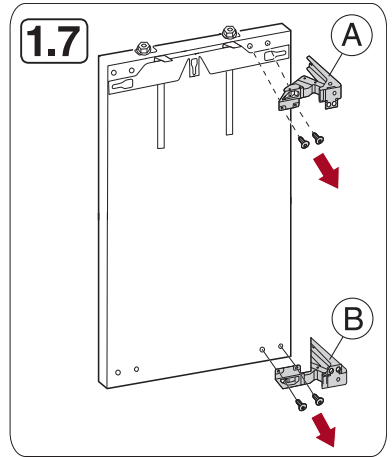
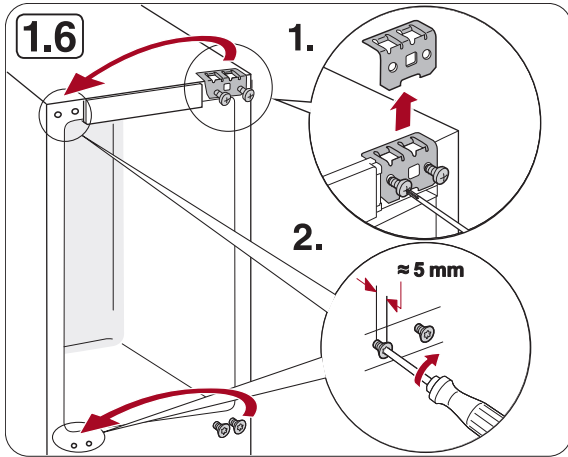
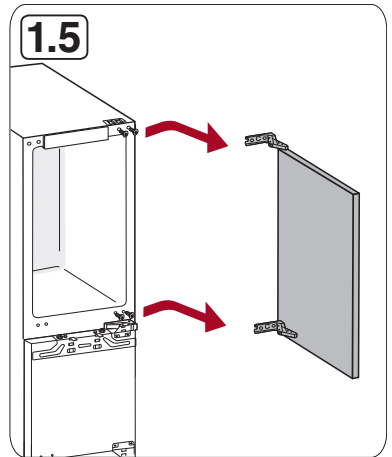
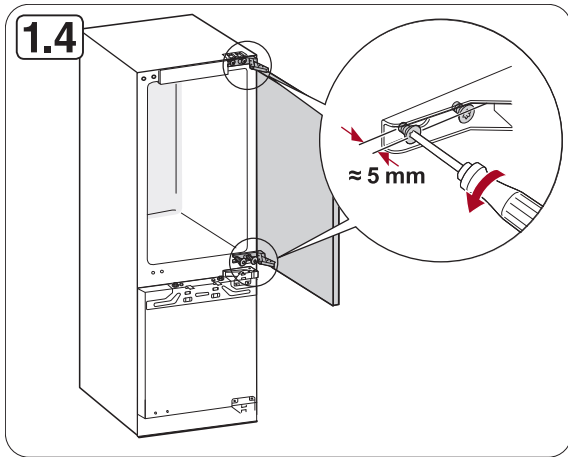
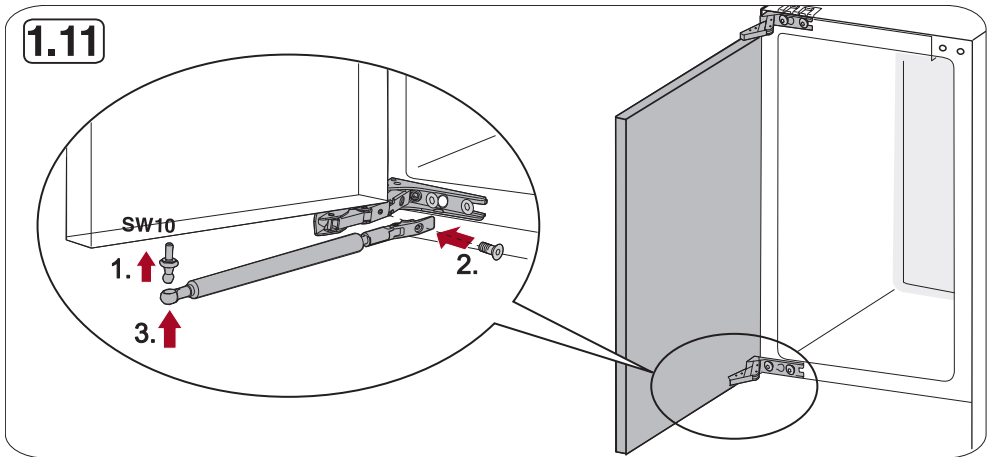
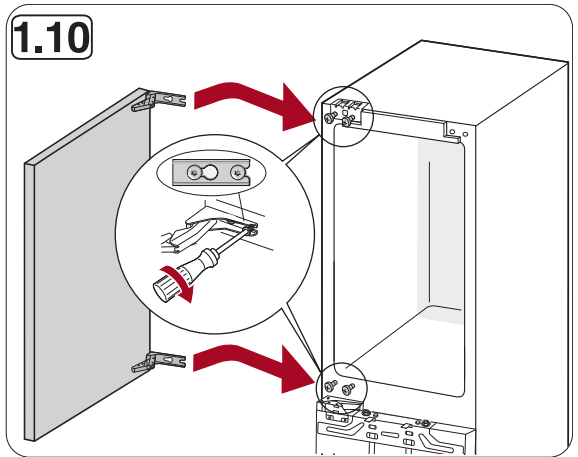
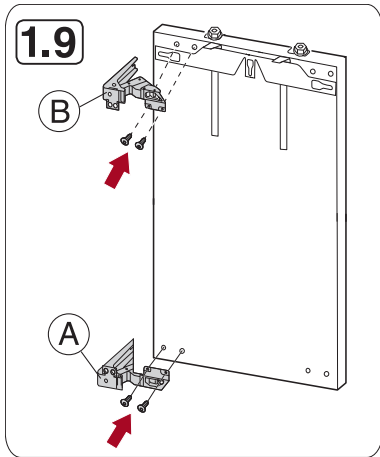


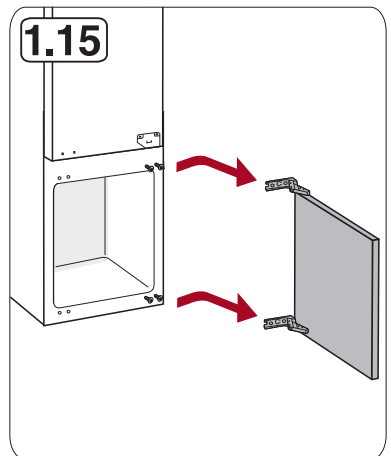
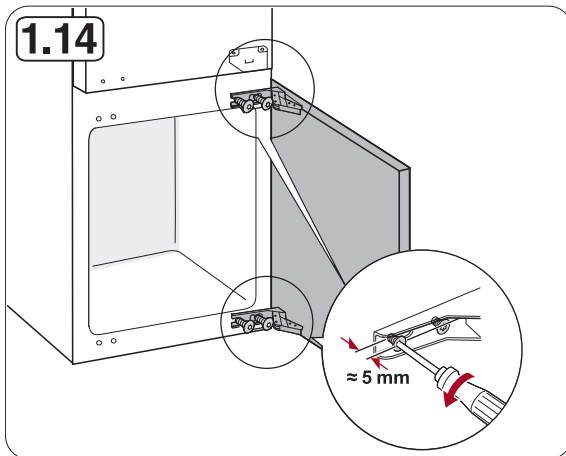
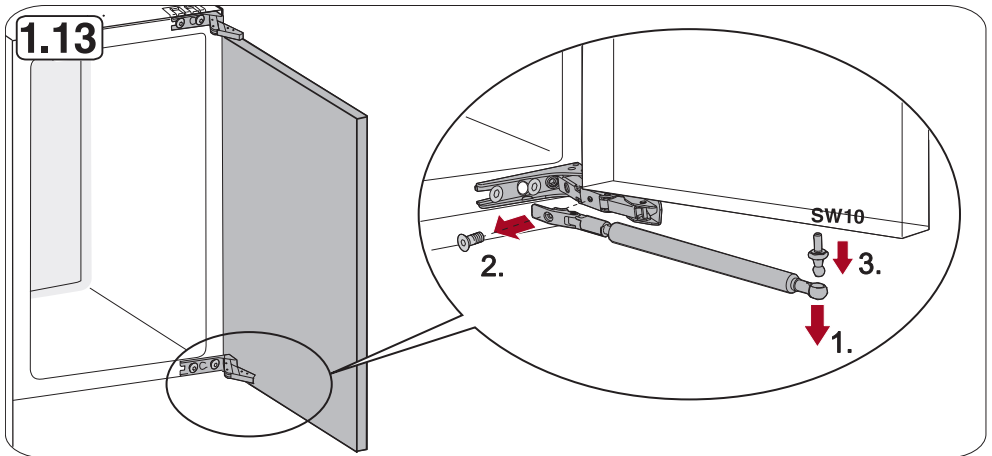
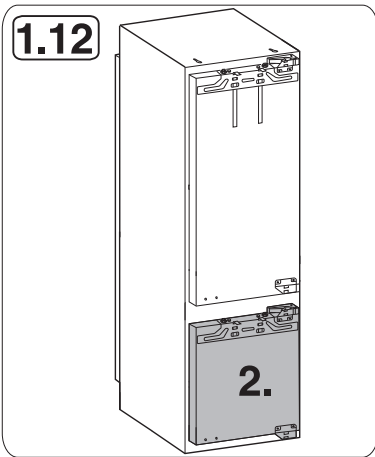
<p>2.</p> 	<p>2.1</p> <p>4x15</p> 	<p>2.3</p> 	<p>2.4</p> 	<p>2.9</p> <p>2x</p>  <p>2x</p> 
<p>2.11</p> <p>4x20</p>  <p>4x20</p> 	<p>2.12</p>  <p>6x24</p> 	<p>2.13</p> <p>4x22</p> 	<p>2.16</p> 	<p>2.18</p> 
<p>3.</p> 	<p>3.5 2x</p>    <p>4x15</p>	<p>3.10 4x/6x 4x/6x 4x/6x</p>  <p>4x19</p> <p>3x13 SW7</p> 	<p>3.11 2x 2x</p> 	

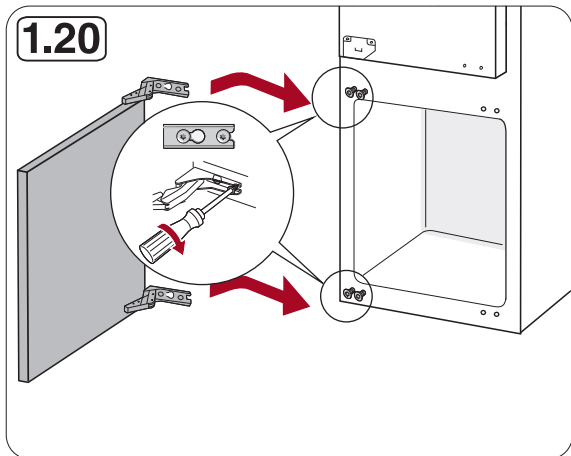
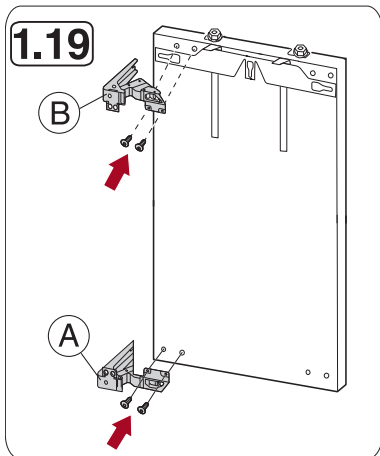
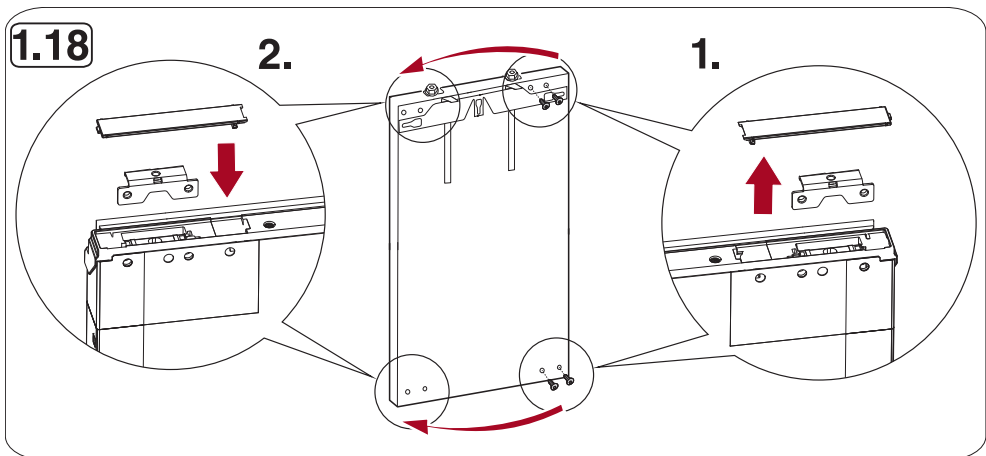
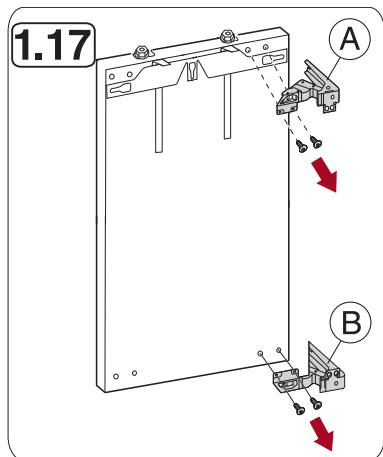
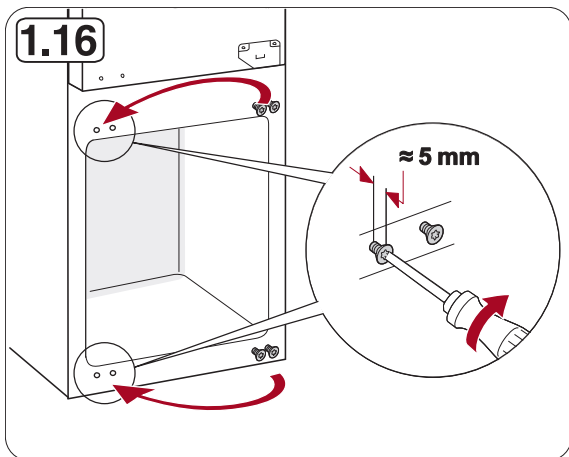




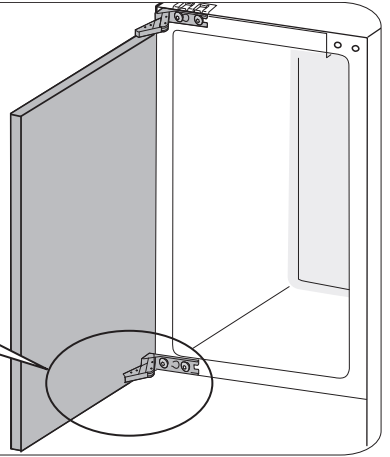
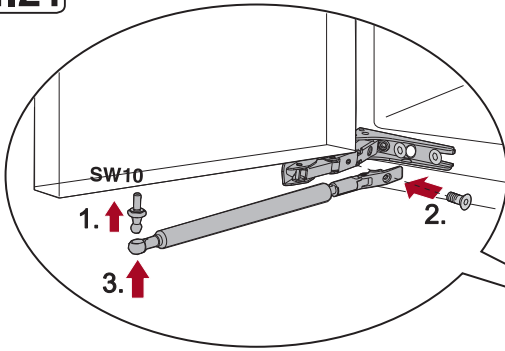




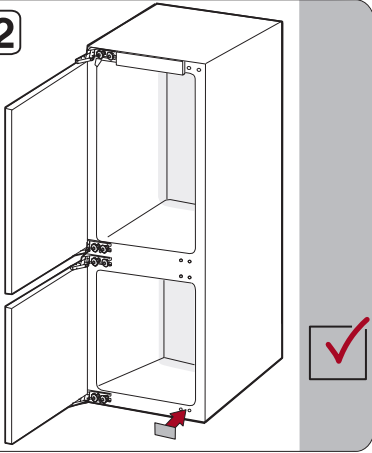


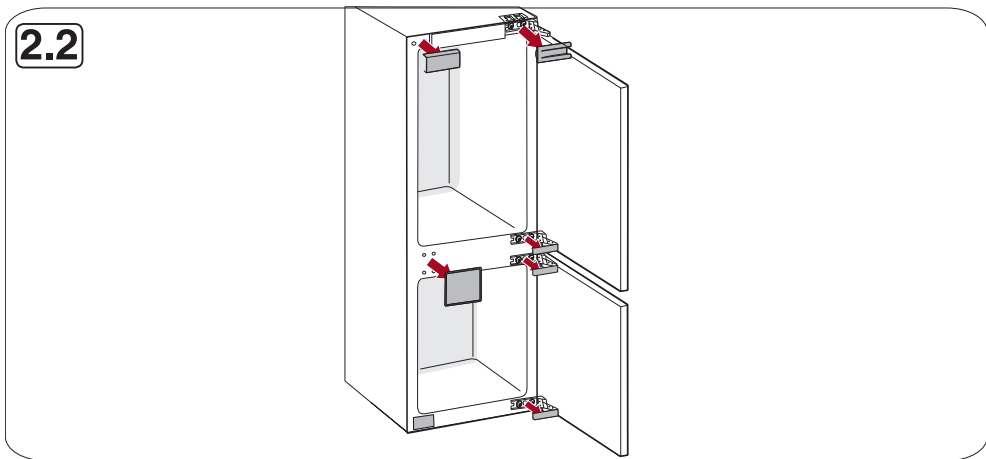
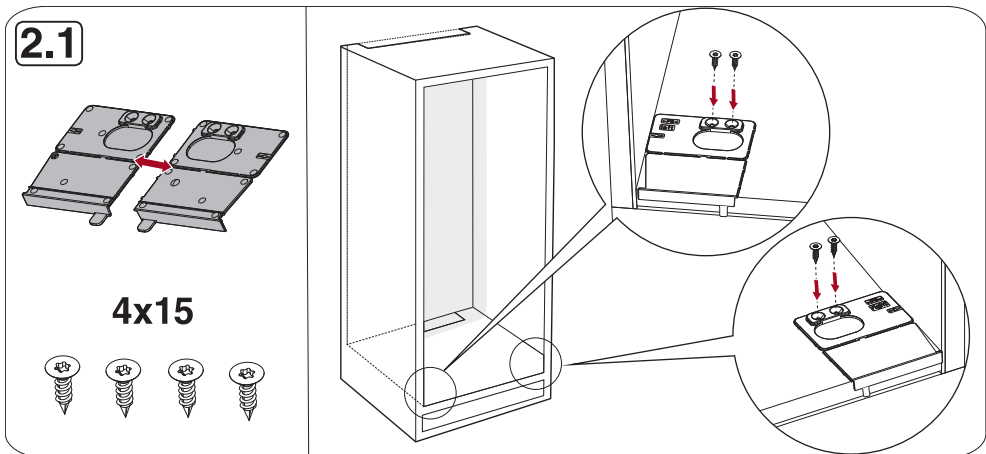
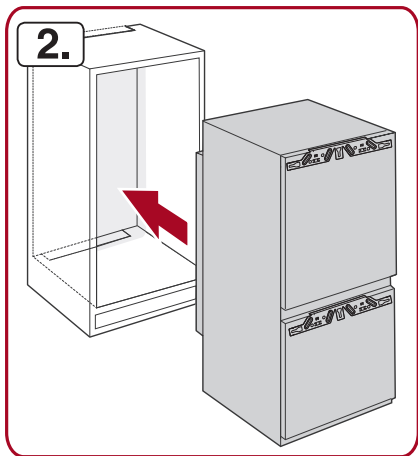


1.21

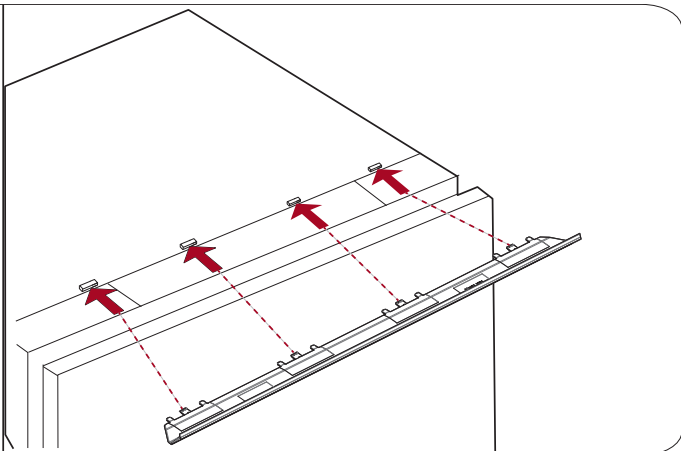
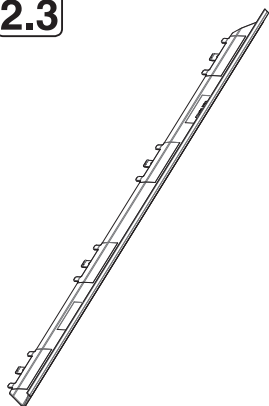


1.22

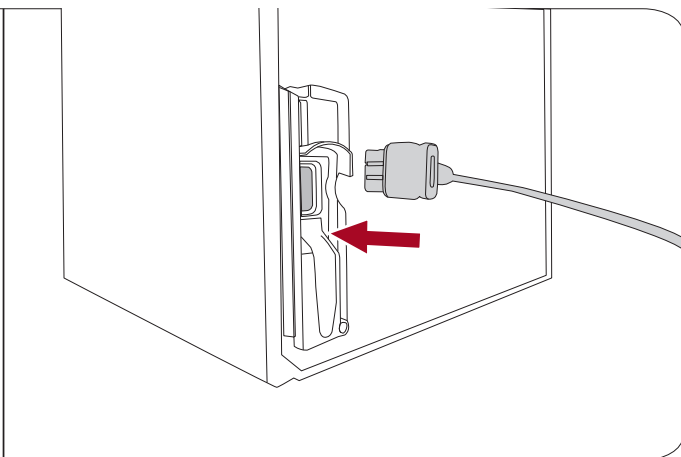
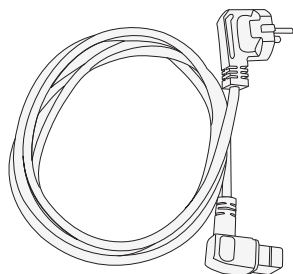




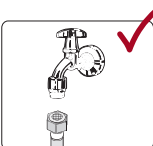
2.3



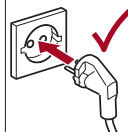
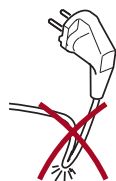
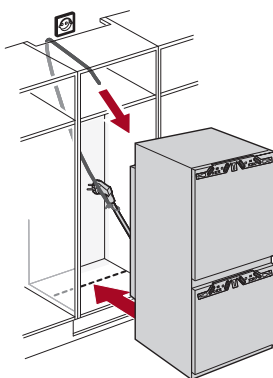
2.4



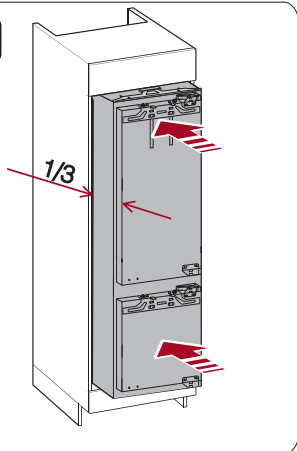
2.5



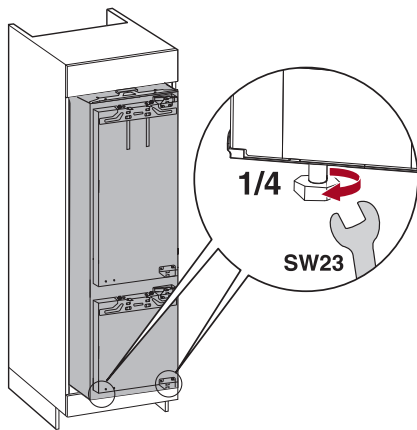
2.6



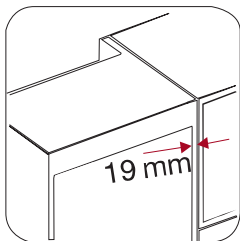
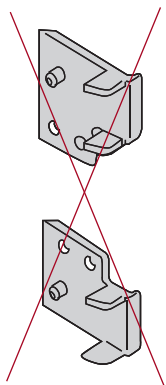
2.7



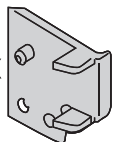
2.8



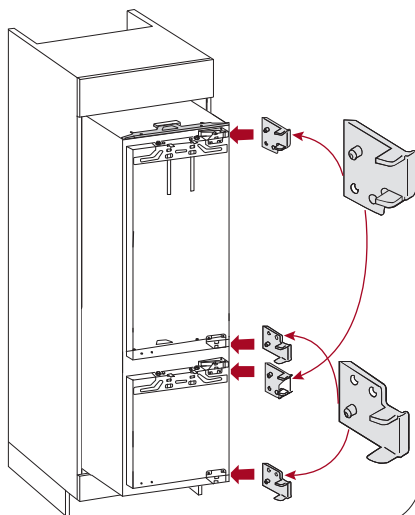
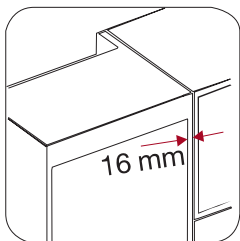
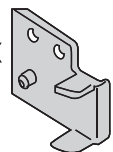
2.9



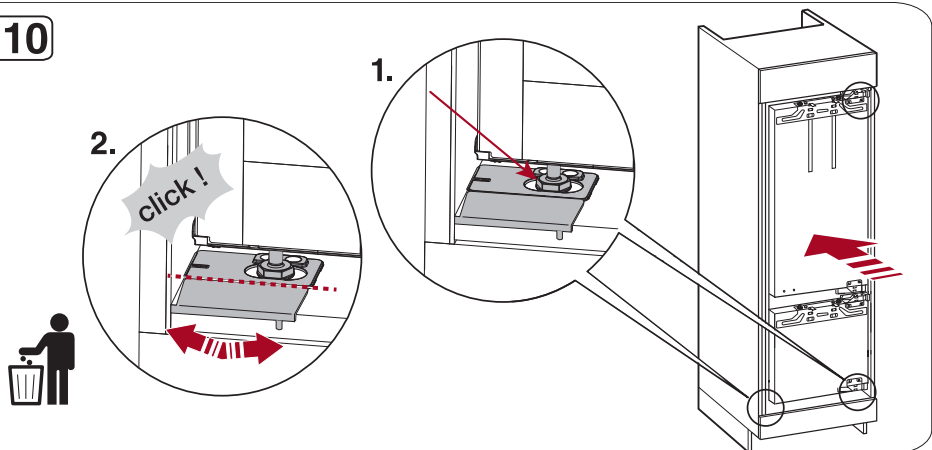
2x



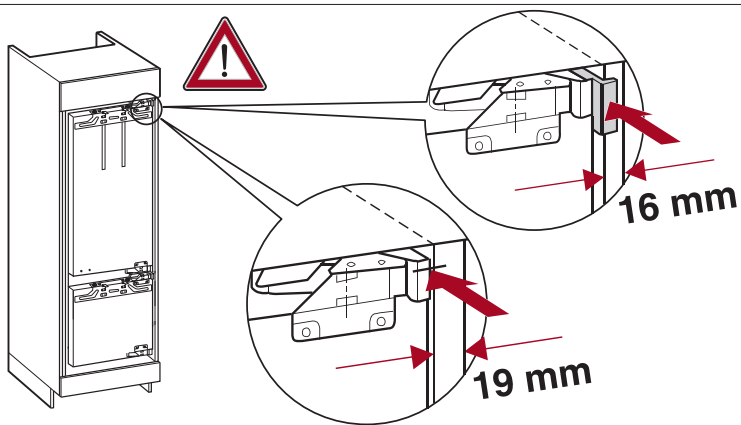
2x



2.10



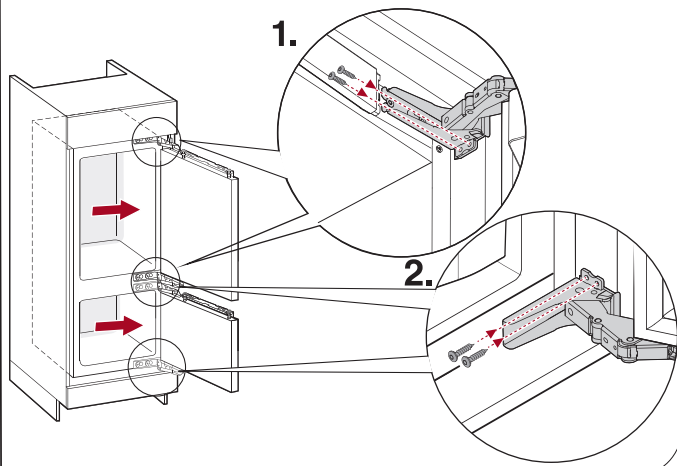
2.11



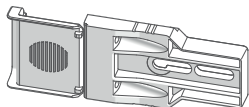
1. 4x20



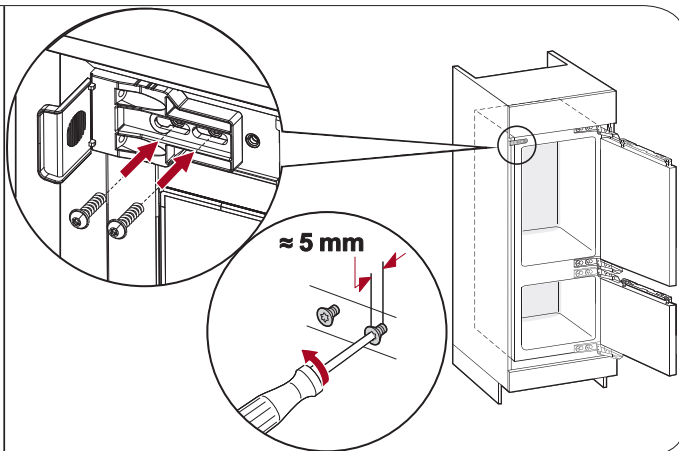
2. 4x20



2.12

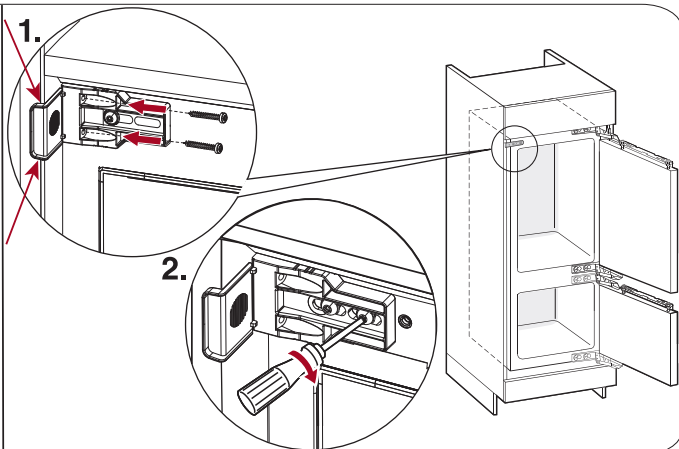
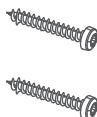


6x24

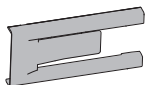


2.13

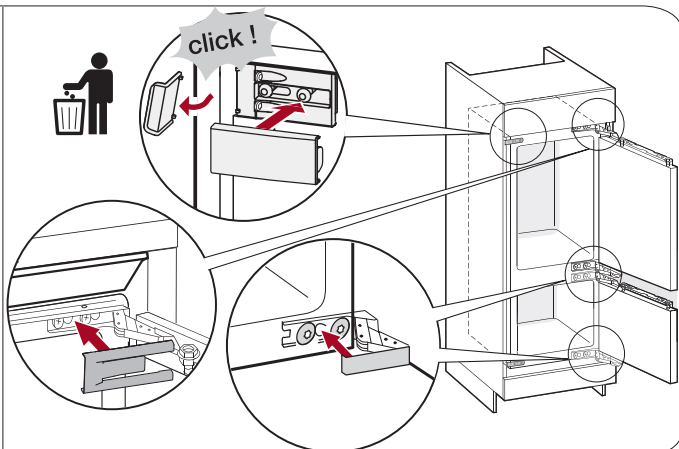
4x22

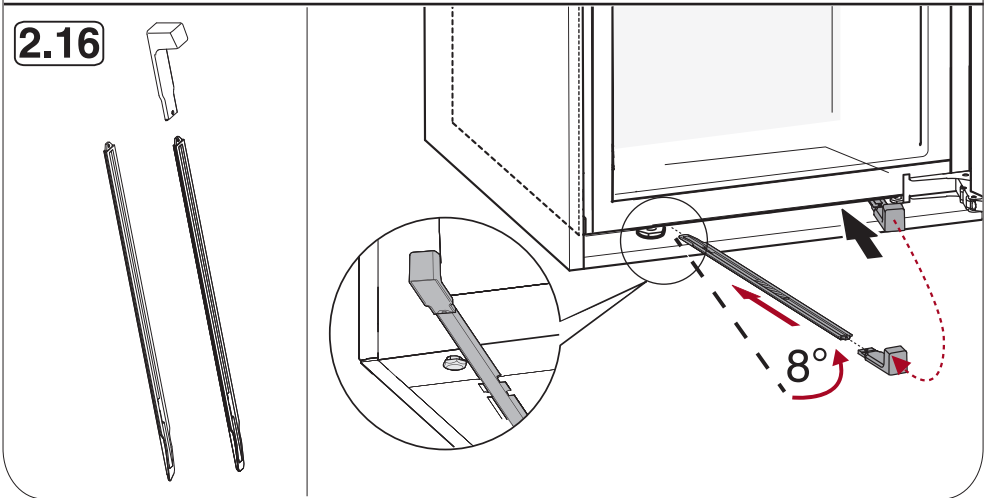
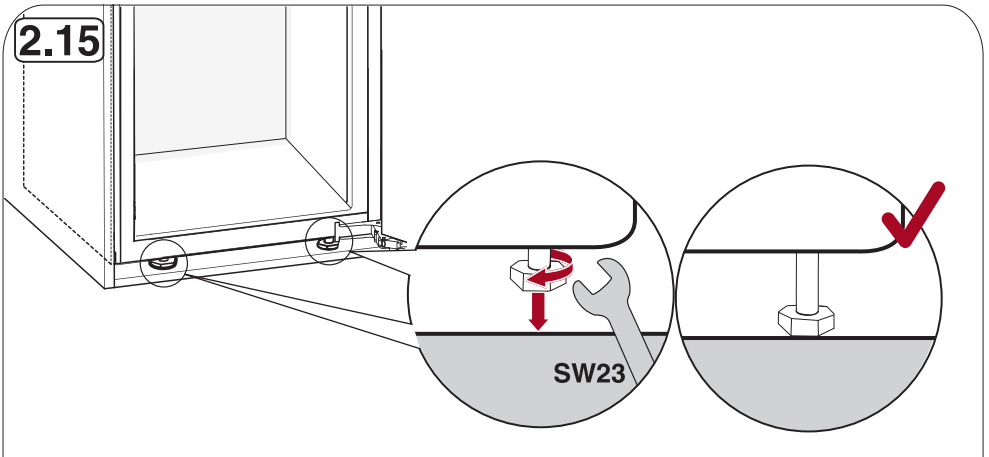


2.14

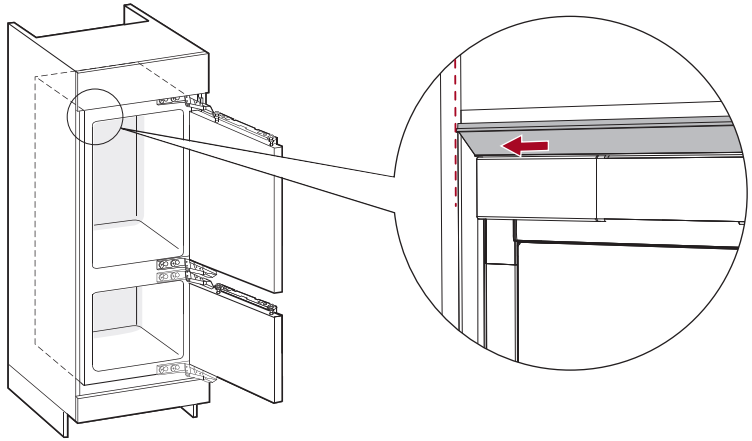


3x

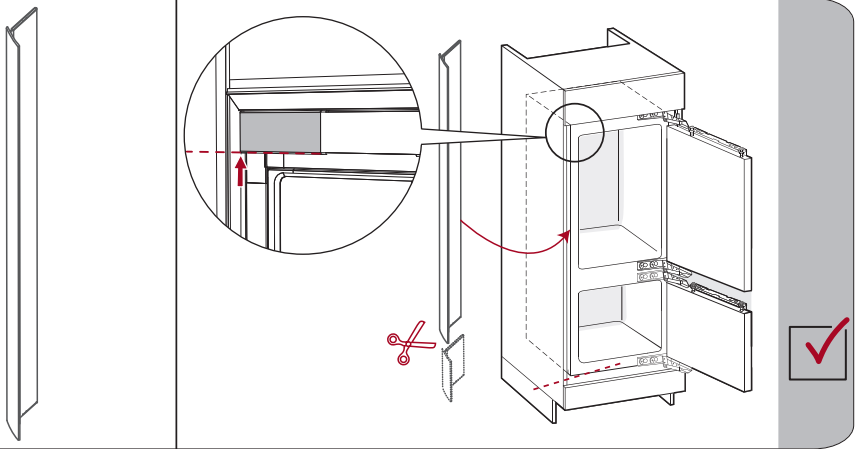


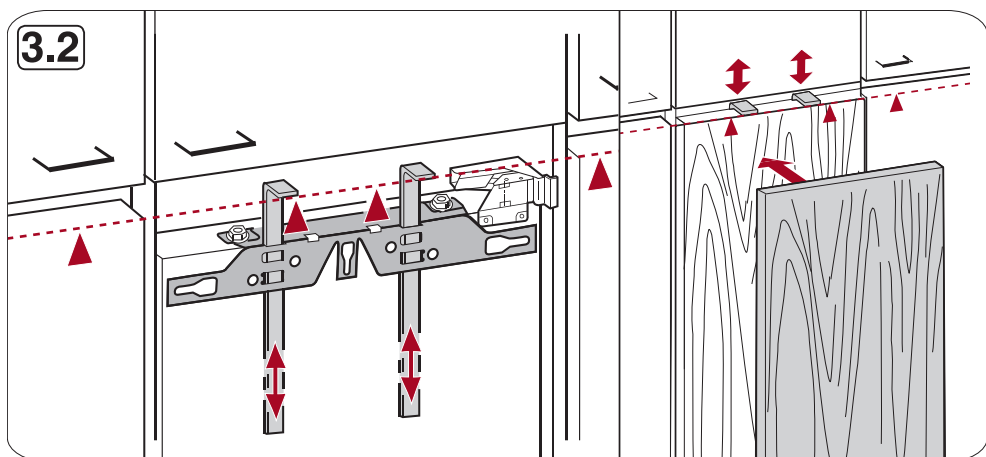
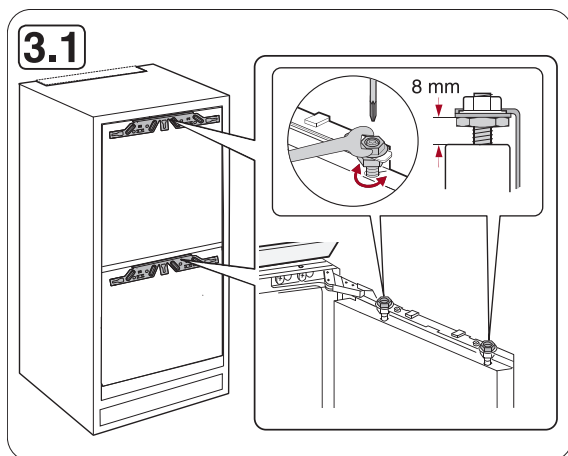
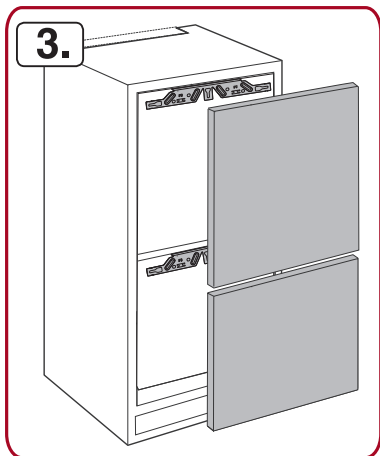


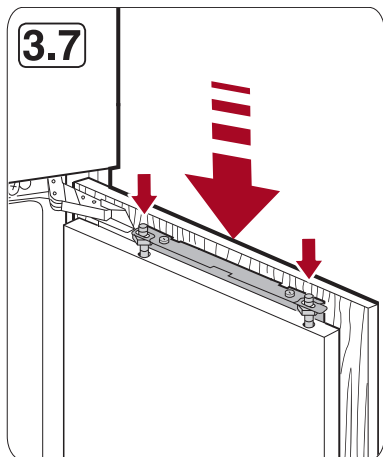
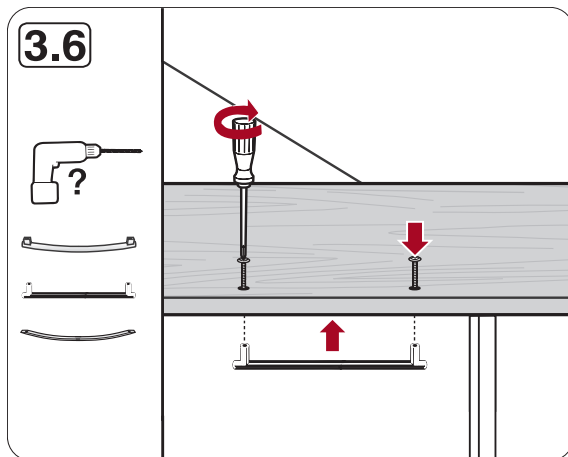
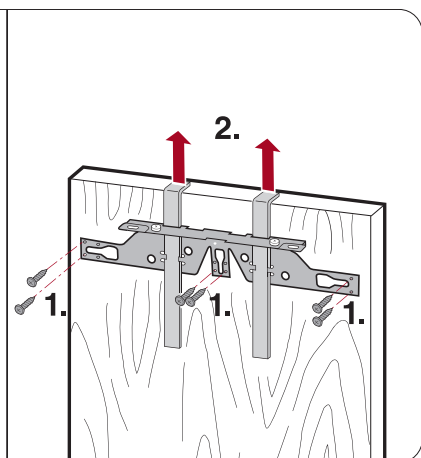
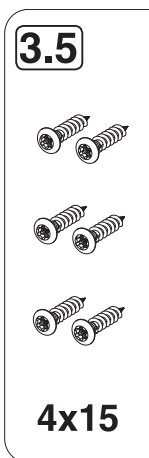
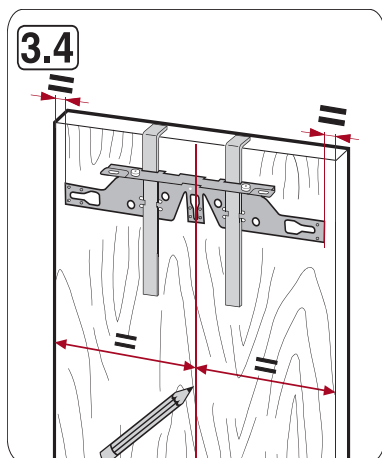
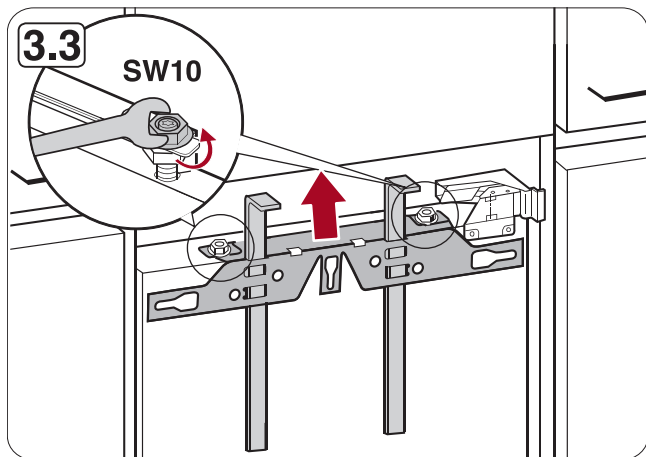
2.17



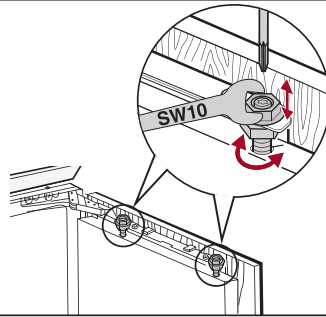
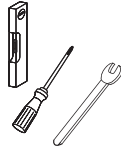
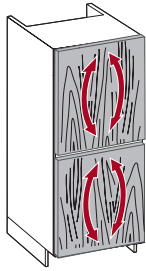
2.18



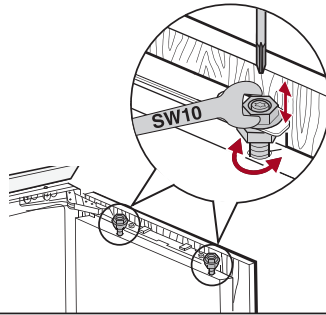
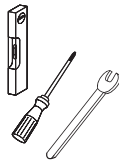
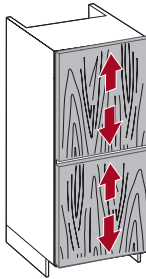
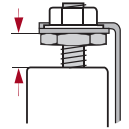




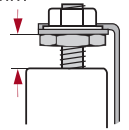
3.8



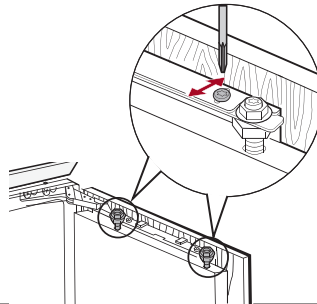
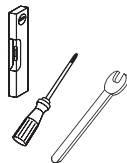
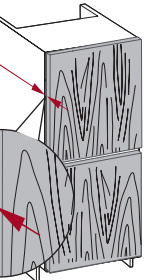
$\approx 3 \text{ mm}$
 $\approx 13 \text{ mm}$



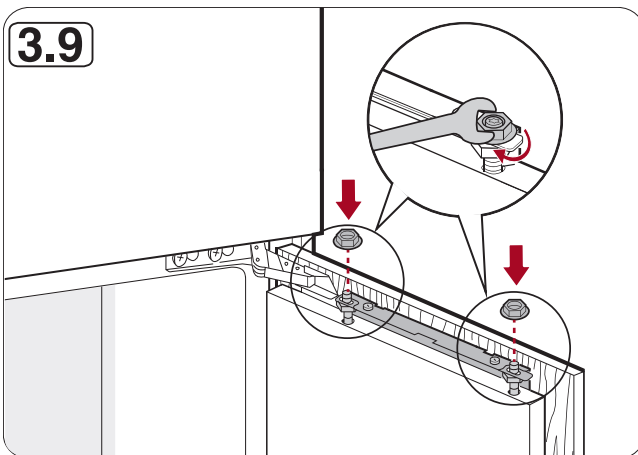
$\approx 3 \text{ mm}$
 $\approx 13 \text{ mm}$



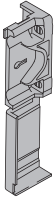
ca. 2mm



3.9



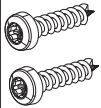
3.10



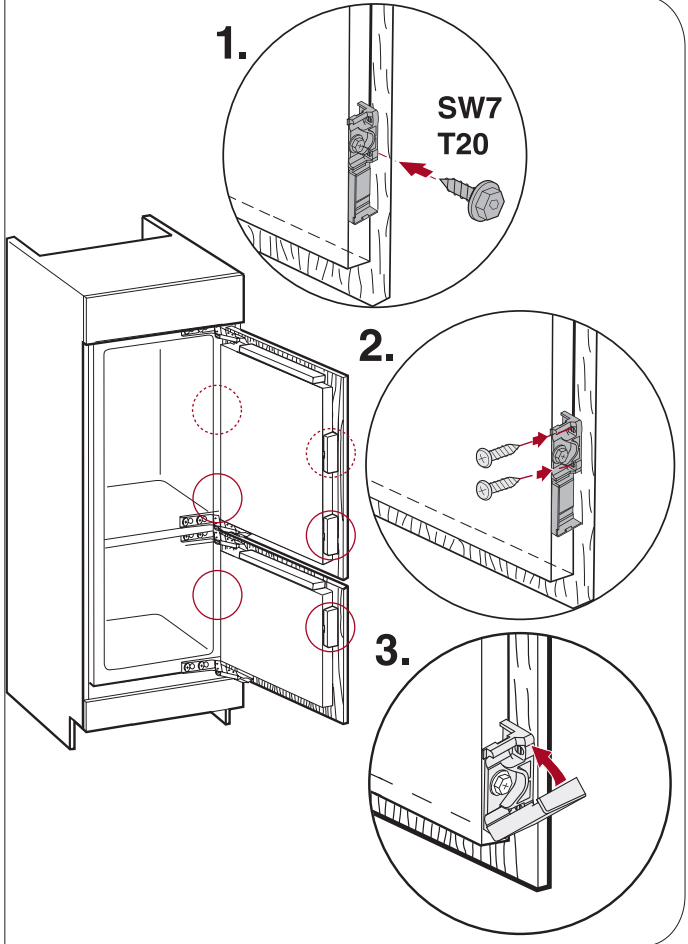
4x/6x



**4x/6x
3x13**



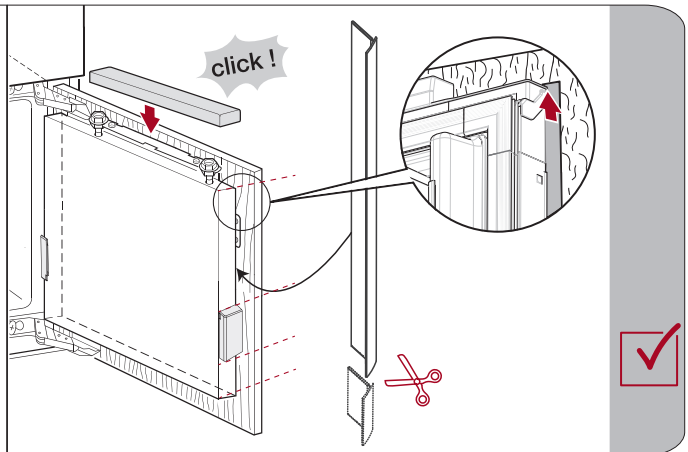
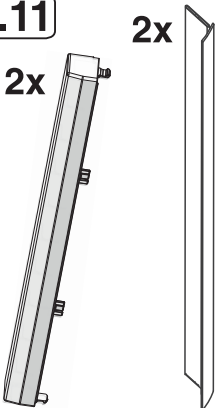
**4x/6x
4x19**



3.11

2x

2x



Miele & Cie. KG
Carl-Miele-Straße 29
33332 Gütersloh
Germany
Tel.: +49 5241 89-0
Fax: +49 5241 89-2090
Internet: www.miele.com

