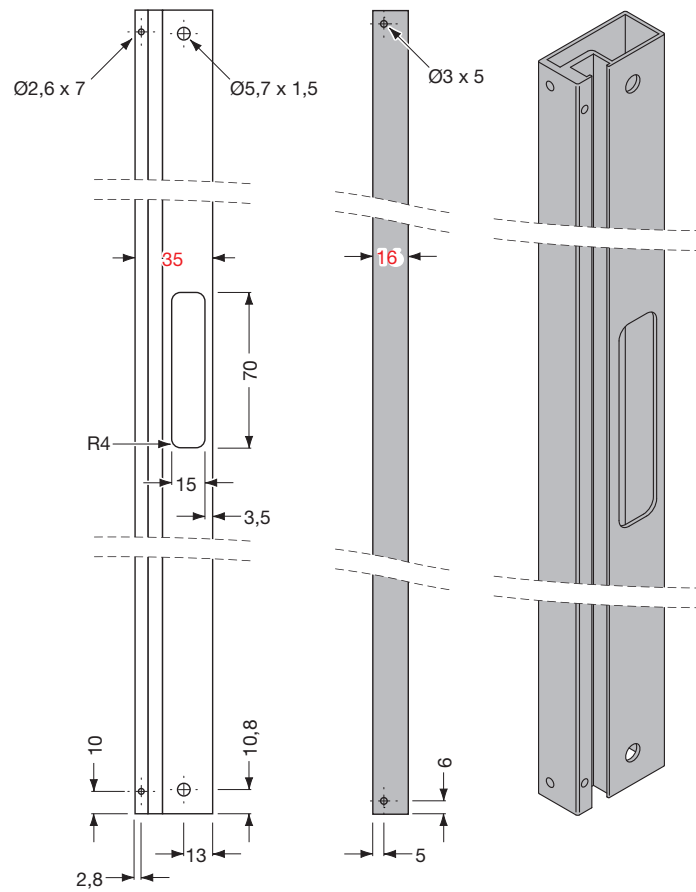


3



option

