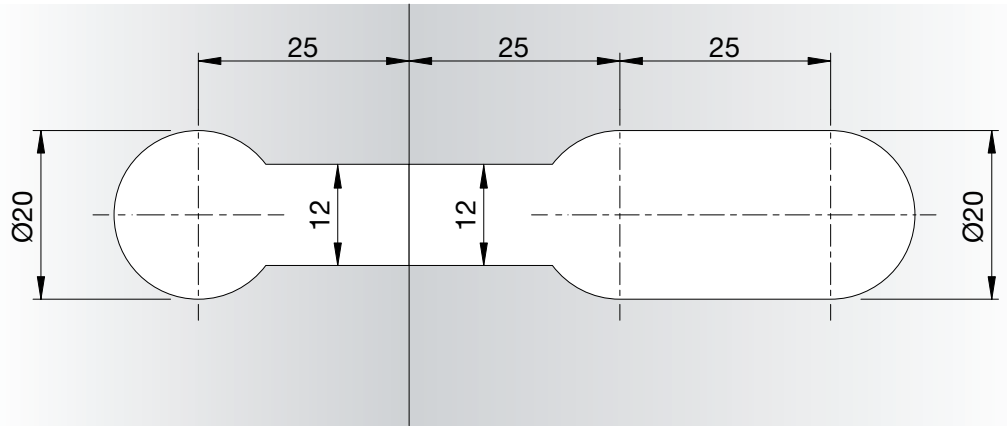
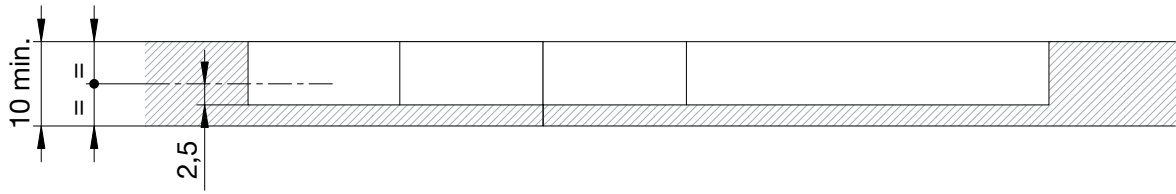


Bohrplan



Alternativer Bohrplan

