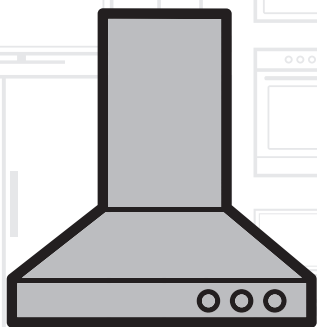


Hood

User Manual



HCA62620B
HCA62620BH

HCA62620WH

EN | PL | FR | DE | CS

01M-8892023200-2920-03
01M-8892153200-2920-03
01M-8892163200-2920-03

beko

Please read this manual first!

Dear Customers!

Thank you for preferring a Beko product. We hope that you get the best results from your product which has been manufactured with high quality and state-of-the-art technology. Therefore, please read this entire user manual and all other accompanying documents carefully before using the product and keep it as a reference for future use. If you handover the product to someone else, give the user manual as well. Follow all warnings and information in the user manual.

Remember that this user manual is also applicable for several other models. Differences between the models are explicitly described in the manual.

Meanings of the Symbols

Following symbols are used in the various section of this manual:



Important information and useful hints about usage.



WARNING: Warnings against dangerous situations concerning the security of life and property.



Warning for danger of fire.



Warning for electric shock.



This product has been manufactured in environmental friendly modern plants without giving any harm to the nature.

This appliance conforms to the WEEE regulation.



It does not contain PCB.

CONTENTS

ENGLISH	04-15
POLSKI	16-31
FRANÇAIS	32-44
DEUTSCH	45-58
ČESKY	59-72

1.1 General Safety

Important Safety Instructions Read Carefully And Keep For Future Reference This section contains safety instructions that will help protect from risk of fire, electric shock, exposure to leak microwave energy, personal injury or property damage. Failure to follow these instructions shall void any warranty.

- Beko products comply with the applicable safety standards; therefore, in case of any damage on the appliance or power cable, it should be repaired or replaced by the dealer, service center or a specialist and authorized service alike to avoid any danger. Faulty or unqualified repair work may be dangerous and cause risk to the user.
- This appliance is intended to be used in household and similar applications such as:
 - Staff kitchen areas in shops, offices and other working environments;
 - Farm houses
 - By clients in hotels, and other residential type environments;
 - Bed and Breakfast type environments.
- Operate the appliance for its in-

tended purpose only as described in this manual.

- The manufacturer cannot be held liable for damages resulting from improper installation or misuse of the product.
- This appliance can be used by children aged from 8 years and above and persons with reduced physical, sensory or mental capabilities or lack of experience and knowledge if they have been given supervision or instruction concerning use of the appliance in a safe way and understand the hazards involved.
- Children shall not be allowed play with the appliance. Cleaning and user maintenance shall not be made by children without supervision.
- The minimum distance between the supporting surface for the cooking vessels on the hob and the lowest part of your product must be at least 65 cm.
- If the instructions for installation for the gas hob specify a greater distance, this has to be taken into account.
- Make sure that your mains power supply complies with the informa-

Important safety and environmental instructions

tion supplied on the rating plate of the appliance.

- Never use the appliance if the power cable or the appliance itself is damaged.
- Prevent damage to the power cable by not squeezing, bending, or rubbing it on sharp edges. Keep the power cable away from hot surfaces and naked flame.
- Use the appliance with a grounded outlet only.

WARNING: Do not connect the appliance to the mains until the installation is fully complete.

- Place the appliance in a way so that the plug is always accessible.
- Do not touch the lamps if they have operated for a long time. They can burn your hands since they will be hot.
- Follow the regulations set out by competent authorities on discharge of the exhaust air (this warning is not applicable for use without flue).
- Operate your appliance after putting a pot, pan etc. on the hob. Otherwise, high heat may cause deformation in some parts of your product.
- Turn off the hob before taking the

pot, pan etc. from it.

- Do not leave hot oil on the hob. Pans with hot oil may cause self combustion.
- Pay attention to your curtains and covers since oil may catch fire while cooking food such as fries.
- Grease filter must be replaced at least monthly. Carbon filter must be replaced at least every 3 months.
- Product shall be cleaned accordance with user manual. If cleaning was not carried out in accordance with user manual, there may be fire risk.
- Do not use non-fire-resistant filtering materials instead of the current filter.
- Only use the original parts or parts recommended by the manufacturer.
- Do not operate the product without the filter and do not remove the filters while the product is running.
- In the event of be started any flame, de-energize your product and cooking appliances.
- In the event of be started any flame, cover the flame and never use water to extinguish.

1

Important safety and environmental instructions

- Unplug the appliance before each cleaning and when the appliance is not in use.
- The negative pressure in the environment should not exceed 4 Pa (4 x 10 bar) while the hood for electric hob and appliances running on another type of energy but electricity operate simultaneously.
- In the environment where the appliance is being used, the exhaust of devices running on fuel oil or gas, such as room heater must be absolutely isolated or device must be hermetical type.
- When connecting the flue, use pipes with a diameter of 120 or 150 mm. Pipe connection must be as short as possible and have as few elbows as possible.

Danger of choking! Keep all the packaging materials away from children.

CAUTION: Accessible parts may become hot when used with cooking appliances.

- The product outlet must not be connected to air channels that include other smoke.
- The ventilation in the room may be insufficient when the hood for

electric hob is used simultaneously with the devices operating on gas or other fuels (this may not apply to appliances that only discharge the air back into the room).

- Objects placed on the product may fall. Do not place any objects on the product.
- Do not flambe under the your product.

WARNING: Before installing the Hood, remove the protective films.

- Never leave high naked flames under the hood when it is in operation
- Deep fat fryers must be continuously monitored during use: overheated oil can burst into flames.

1.2 Compliance with the WEEE Directive and Disposing of the Waste Product:

This product complies with EU WEEE Directive (2012/19/EU). This product bears a classification

symbol for waste electrical and electronic equipment (WEEE).



This symbol indicates that this product shall not be disposed with other household wastes at the end of its service life. Used device must be returned to official collection point for

recycling of electrical and electronic devices. To find these collection systems please contact to your local authorities or retailer where the product was purchased. Each household performs important role

in recovering and recycling of old appliance. Appropriate disposal of used appliance helps prevent potential negative consequences for the environment and human health.

1.3 Compliance with RoHS Directive

The product you have purchased complies with EU RoHS Directive (2011/65/EU). It does not contain harmful and prohibited materials specified in the Directive.

1.4 Package Information



Packaging materials of the product are manufactured from recyclable materials in accordance with our National

Environment Regulations. Do not dispose of the packaging materials together with the domestic or other wastes. Take them to the packaging material collection points designated by the local authorities.

2 Technical specifications

Technical data contained in this manual and labels attached to the hood were obtained from measurements and calculations in accordance with the requirements of EU Regulation No. 65/2014 and 66/2014.

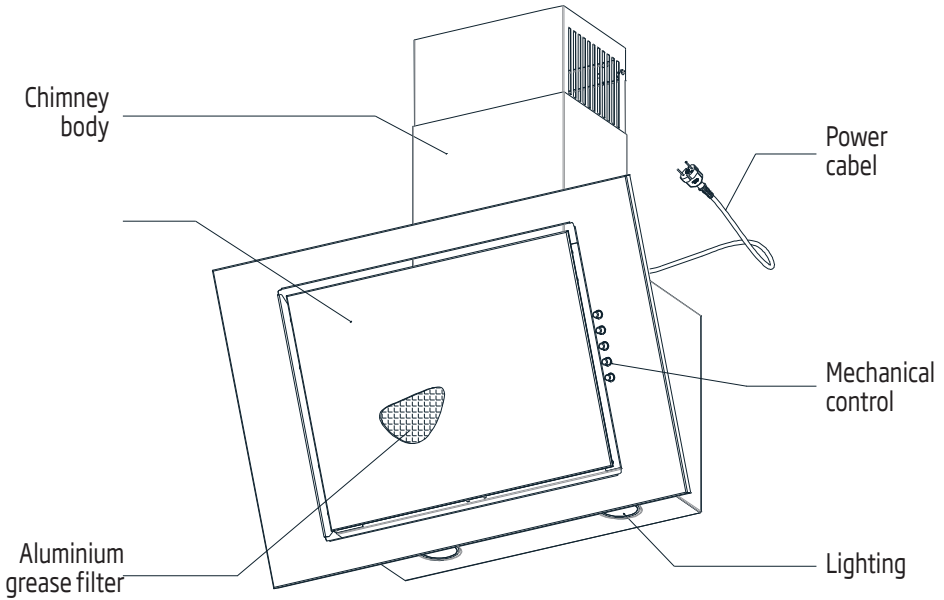


Fig.1 General view of the range hood

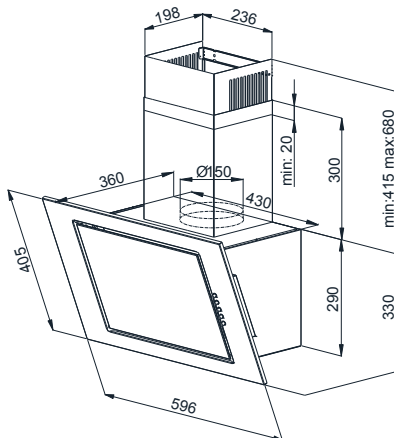


Fig.2

3 Operation

3.1 Hood operation

The hood is intended for sucking in the vapours during the meals cooking. The device may work in two modes:

As the extracting hood: the vapours are extracted from the premise through the withdrawal tube. The withdrawal tube is not supplied with the device, and should be acquired separately.



- The shortest possible vapours evacuating channel shall be used.
- Use the flue pipe with maximally smooth internal surface (the use of Spiro type pipes is not recommended).
- Use the flue channel with as low number of bends as possible (the bending angles shall not exceed 90°).
- The changes in flue channel sections are not advised (from higher section to lower section, for example the change from Ø150 mm to Ø120 mm).

As the absorber: the vapours are cleaned from fat and odours, before they are returned back to the premise through the grills in the top part of the chimney body. To make the hood work in the absorber mode, install the coal filter

(Fig.10). The coal filter is not included in the standard equipment, and should be acquired separately.

3.2 Hood operation control

The hood is equipped with the mechanical control system.

- Button "0" - hood fan switched off
- Button "1" - hood fan switched on, with minimum speed
- Button "2" - hood fan switched on with medium speed
- Button "3" - hood fan switched with maximum speed

The higher speed means the higher air circulation.

- Button  switches the light on. To switch the light off, press the button one more time.w

4 Installation

4.1 Hood installation



The use of screws and fastening elements not specified in the Operation Manual may cause the electrical shock.

The minimum distance of hood hanging between the surface of kitchenware placement over the cooking range (gas, electric range), and lowest part of the hood (Fig.3) shall amount at least 65 cm for electric cooking ranges and at least 65 cm for gas cooking ranges. Should the cooking range operation manual provide the higher distance for hood installation, such higher distance requirement shall be maintained. The installation of the hood and chimney body is shown at the figures (Fig.4 - Fig.9). The hood is equipped with the fixing pins matching to the most part of walls and ceilings. In course of the assembly, observe the common rules for air exhaust from the premises.

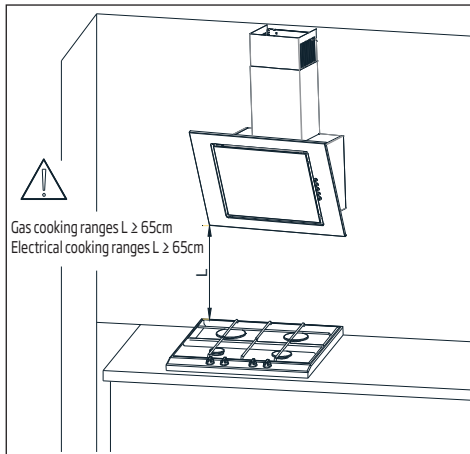


Fig.3 Recommended distances from the cooking range

- Check if the purchased device dimensions match to the planned installation place.
- Disassembly and remove (if possible) any furniture remaining in the hood installation area, in order to ensure the easy access to ceiling or wall, where the hood shall be mounted. If it is not possible, protect the furniture elements remaining in the adjacent area.
- Check, if there is a socket near the mounting area, and control if the hood may be connected to the ventilation channel for vapours evacuation.
- Check if there are no cables (electrical, hydraulic, etc.) in places in which the drilling will be performed.
- Prepare the following tools: tape ruler, pencil, drill / electric screwdriver, drilling tool $\varnothing 8$, screwdriver, builder's level.

Assembly operation:

1. Define the axis of cooking range, and project it onto the wall, where the hood will be mounted. Sign all characteristic points of hood fastening. Make the openings with the drill. (Fig. 4)

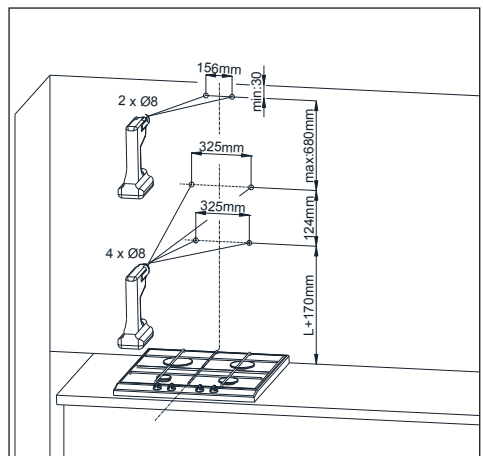


Fig.4 Assembly dimensions

4 Installation

2. Into the openings, insert the screw plugs. In two openings marked with A screw also the screws (leaving 7 mm of screw length outside the screw plug, Fig.5).

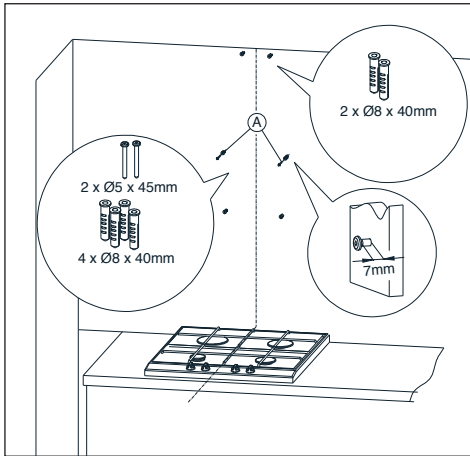


Fig.5 Screw plugs assembly

3. Screw the chimney body fastening element, hang the hood on two untightened screws (Fig.6).

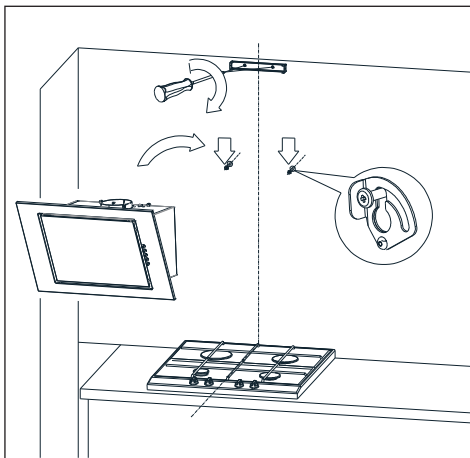


Fig.6 Hood hanging

4. Open the hood cover and remove the fat filter (Fig.7).

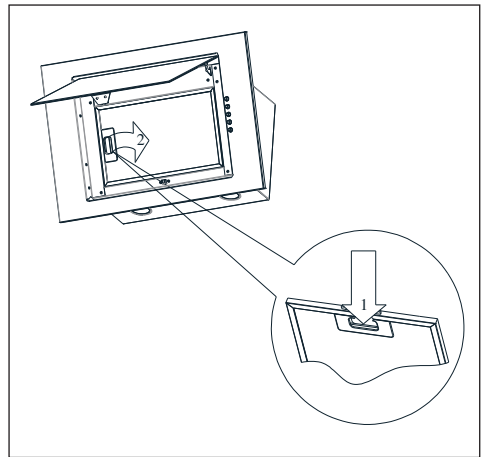


Fig.7 Aluminium fat filter removing

5. Place the level on the hood body. Rotating the element marked with A, adjust the hood level according the level's indications, and then tighten two screws previously screwed partially and screw in two remaining screws (Fig.8).

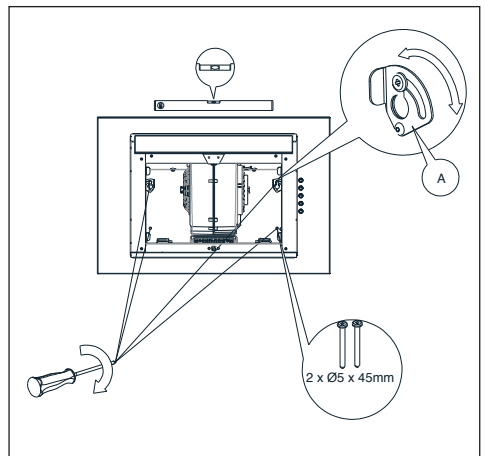


Fig.8 Range hood positioning

4 Installation

Place the chimney body on the hood body. Then, draw delicately the hood part signed with B upwards, until it becomes possible to screw it to the fastening element previously attached to the wall (Fig. 9).

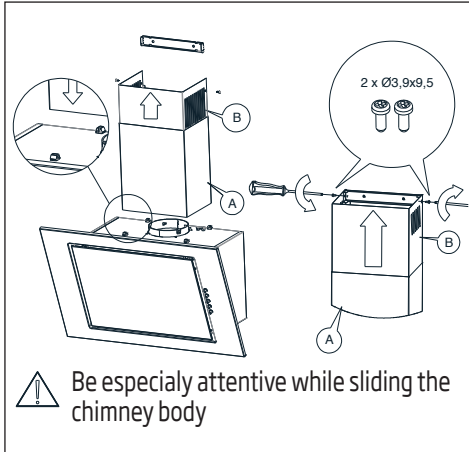


Fig.9 Chimney body assembly



This assembly operation shall be performed very carefully, in order to avoid the scratching of chimney body and hood itself.

4.2 Electrical connections

The network voltage shall correspond to the voltage indicated at the plate placed inside the hood. If the hood is equipped with a plug, insert it into the socket complying with the applicable requirements, and located in the easily accessible place. If the hood is not equipped with a plug, the hood installations shall be performed by a person having the required authorizations (such as electrician).

5 Cleaning and maintenance

5.1 Cleaning

- Particularly do not neglect to clean your hood immediately after you have made frying.
- Use a soft cloth soaked with liquid detergent to clean the outer surface of your hood.
- Never use abrasive or scratching materials for cleaning.
- You may use the cleaning agents commercially available for persistent grease etc. by following the warnings on the product. In order not to scratch the brushed steel body, wipe in the same direction with the brush trace.
- Do not use cleaning agents containing hydrochloric acid, bleach or abrasive powders in order to maintain the surface quality of your product. Use a cloth dampened in soapy water or special stainless steel cleaning spray for stainless steel surfaces. Remove the protective foil on the appliance.



Caution! You may cause a fire if you do not follow the instructions on the cleaning and replacement of the filters of your hood.

5.2 Fat filter

The hood is equipped with aluminium filter stopping the particles of fat emitted in course of cooking. To remove the filter, move the clamps in the direction of arrows (Fig.7). The filter shall be cleaned manually by its immersion into the water with dish washing liquid for approx. 15 minutes, under the temperature equal to 40-50°C. After 15 minutes, wash and accurately rinse the filter. The filter must be dry before its installation in the hood. It is also possible to wash the filter in the dish washing machines. In course of washing, the filter colour may change, which does not influence its filtering characteristics. The failure to clean the filter regularly reduces the hood performance, and may cause the fire. The filter shall be cleaned at least every 35 hours of hood operation.

5.3 Coal filter

The hood may be equipped with the coal filter. The coal filter is used when the hood is not connected to ventilation duct only. The filter shall be installed on the fan body, like it is shown in the drawing (Fig.10). The coal filter shall be replaced every 6 months.



Do not wash or regenerate the coal filter.

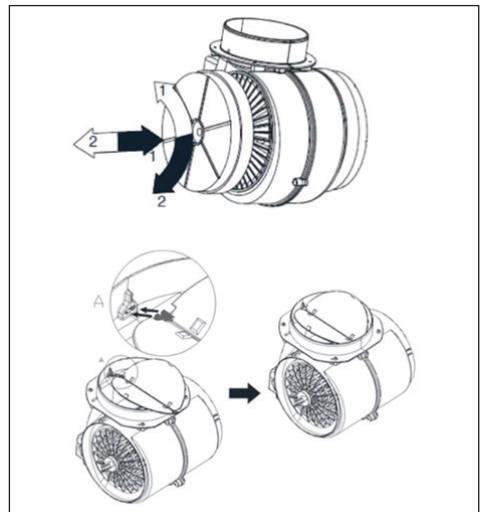


Fig.10 Coal filter replacement

5 Cleaning and maintenance

5.4 Light replacement

Before starting any works related to the light replacement, switch off the power. If the hood was previously turned on, wait previously until the lamps become cold, and then start their replacement. The lamp replacement is illustrated in Fig. 11.



- Before the replacement of lamps, switch the hood power off.
- Do not touch the lamps when they are hot.
- Be attentive not to touch the lamp installed with hands.

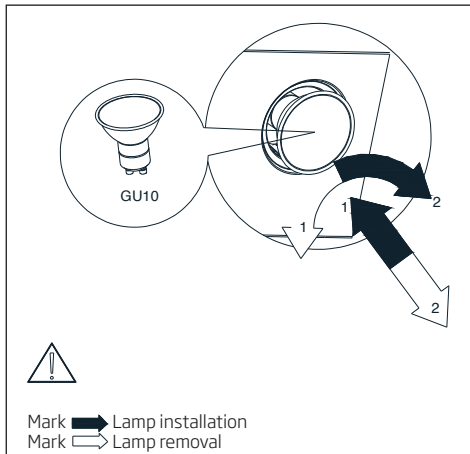


Fig.11 Lights replacement

5.5 How to reduce the cooking impact to the environment

- In order to reduce the energy consumption, cook in the kitchenware under the cover.
- The hood aluminium filters shall be kept clean (the recommended time of work of aluminium filter between its cleaning: max. 35h of hood operation).
- The ventilation ducts shall not be blocked.
- The fan operation speed during the cooking shall be always set on minimum level which allows to withdraw the vapours considering the actual cooking intensiveness.

If you need to transport the appliance:

- Keep the original packaging of the appliance. Transport the appliance with its original package, and follow the transport markings on the original package.

If you do not have the original package:

- Do not place any objects on the hood.
- Protect the outer surface from impacts.
- Pack the appliance so that it would not be damaged during transport.

6 Troubleshooting

Symptoms	Cause	Repairing method
During hood operation, the pulsating letter „F“ is displayed.	After 35 hours of operation the hood indicates the need for cleaning or replacing the grease filter.	Press and hold for about 8 sec. “-” on the touch control. The filter should be washed in the dishwasher or replace with a new one.
The display shows only the symbol “-.” (minus and dot in the right bottom corner), the hood does not respond to disabling.	The touch control has been locked - this feature facilitates the hood cleaning.	To disable the lock, press and hold for about 10 sec the field with the symbol of switching on.
No symbol is shown on the display, the hood does not respond to pressing the control fields.	The touch control is probably suspended.	Disconnect the hood from the power supply for about 15 sec. and switch it on again.
The display shows the symbol of one of the gears; the hood does not respond to pressing the control fields.	The touch control is probably suspended	Disconnect the hood from the power supply for about 15 sec. and switch it on again.
The hood turbine disconnects after 15 min of operation, the display shows a pulsating digit i.e. “1.” (current gear number and dot in the right bottom corner).	The automatic time switch of the touch control has been activated.	To deactivate the time switch, press and hold for about 10 sec the symbol „+“ or disable the hood.
On fourth gear the digit “4” is pulsating on the display, after 5min the gear is changed into third.	The hood is equipped with a turbo mode, which automatically switches over into third gear after 5 min of operation to save energy.	The turbo gear shall be used only with intensive cooking.
The hood can be operated only with use of the control panel, it does not respond to the remote control.	The battery of the remote control is empty or the distance is too long.	Replace the battery with a new one.
The hood has very poor vapor suction.	Probably cause is dirty filters.	The grease filter must be cleaned in the dishwasher or replace with a new one. The carbon filter (if present) must be replaced with a new one.
One or more light points do not operate.	Defective halogen/ LED bulb.	The light bulb needs to be replaced with a new, compatible with the symbol specified in the instruction manual for the cooker hood.
The hood generated excessive noise and vibration.	This may be caused by an incorrect installation of the hood to the wall or kitchen cabinets. Not all provided screws have been used or screws are loosely fitted leaving clearance.	The hood must be mounted to a wall or cabinet by using all the points provided for by the manufacturer. After adjusting the position of the hood horizontally and vertically, tighten all mounting screws.
* applies to hoods with touch control.		
If the recommendations above do not solve the problem, contact an authorized home appliances service entitled to repair. Under no circumstances is the hood user entitled to independent repair. A list of service points is included in the warranty card and the website.		

Proszę najpierw przeczytać tę instrukcję obsługi!

Szanowny Kliencie,

dziękujemy za wybranie urządzenia marki Beko. Mamy nadzieję, że zakupione urządzenie, wyprodukowane z zapewnieniem wysokiej jakości przy użyciu najnowszych technologii, okaże się w pełni zadowalające. W tym celu przed użyciem urządzenia należy uważnie przeczytać całą instrukcję obsługi oraz dołączone dokumenty i zachować je do wglądu na przyszłość. Przekazując urządzenie innemu użytkownikowi, należy dołączyć również niniejszą instrukcję. Należy postępować zgodnie z instrukcjami, zwracając uwagę na wszystkie informacje i ostrzeżenia zamieszczone w niniejszym dokumencie.

Należy pamiętać, że niniejsza instrukcja może odnosić się także do innych modeli. Różnice pomiędzy modelami są wyraźnie opisane w instrukcji.

Znaczenie symboli

W różnych częściach niniejszej instrukcji obsługi stosowane są następujące symbole:



Ważne informacje i przydatne wskazówki dotyczące użytkowania.



OSTRZEŻENIE: Ostrzeżenia przed niebezpiecznymi sytuacjami zagrażającymi życiu i mieniu.



Niebezpieczeństwo pożaru.



Ostrzeżenie przed porażeniem prądem.



Urządzenie zostało wyprodukowane w przyjaznym środowisku, nowoczesnych zakładach bez negatywnego wpływu na przyrodę.

Wyrób zgodny z Dyrektywą WEEE.



Nie zawiera polichlorowanych bifenyli (PCB).

1 Ważne instrukcje dotyczące bezpieczeństwa i ochrony środowiska

1.1 Ogólne zasady dotyczące bezpieczeństwa

Ważne zasady dotyczące bezpieczeństwa. Przeczytaj je uważnie i zachowaj na przyszłość. Rozdział ten zawiera instrukcje zachowania bezpieczeństwa, które pomogą chronić się przed ryzykiem pożaru, porażenia prądem elektrycznym, wycieku mikrofal, obrażeniami ciała lub uszkodzami w mieniu. Nieprzestrzeganie tych instrukcji spowoduje unieważnienie gwarancji.

- Produkty firmy Beko spełniają wszystkie wymagania stosownych norm bezpieczeństwa. W przypadku jakiegokolwiek uszkodzenia urządzenia lub przewodu zasilającego, aby uniknąć wszelkich zagrożeń, należy oddać je do naprawy lub wymiany przez sprzedawcę, punkt serwisowy lub specjalistę albo autoryzowany serwis. Błędna lub niefachowa naprawa może być niebezpieczna i powodować zagrożenie dla użytkowników.
- To urządzenie jest przeznaczone do użytku domowego i podobnych zastosowań, na przykład:
 - na zapleczu kuchennym przez personel sklepów, biur i innych

miejsc pracy;

- w gospodarstwach rolnych;
- do użytku przez klientów hoteli i innych obiektów noclegowych;
- w pensjonatach.

- Urządzenie należy stosować tylko zgodnie z jego przeznaczeniem, w sposób opisany w niniejszej instrukcji.
- Producent nie ponosi odpowiedzialności za szkody powstałe w wyniku nieprawidłowej instalacji lub niewłaściwego stosowania produktu.
- Urządzenie może być obsługiwane przez dzieci w wieku 8 lat i starsze, osoby o ograniczonych możliwościach fizycznych, postrzegania lub umysłowych, a także osoby bez doświadczenia lub wiedzy w zakresie obsługi urządzenia, o ile będą one pod nadzorem lub zostaną szczegółowo poinstruowane o bezpiecznym korzystaniu z urządzenia i zrozumieją potencjalne zagrożenia.
- Nie należy pozwalać dzieciom bawić się urządzeniem. Dzieci nie mogą czyścić ani konserwować urządzenia bez nadzoru.

1 Ważne instrukcje dotyczące bezpieczeństwa i ochrony środowiska

- Minimalna odległość pomiędzy powierzchniami podpór garnków znajdującymi się na szczycie kuchenki a najniższą częścią produktu musi wynosić co najmniej 65 cm.
 - Jeżeli w instrukcji instalacji gazowej płyty kuchennej podano odległość większą, wówczas należy zastosować wskazaną wartość.
 - Zasilanie z domowej sieci elektrycznej musi być zgodne z informacjami podanymi na tabliczce znamionowej urządzenia.
 - Urządzenia nie wolno nigdy używać, jeśli przewód zasilający lub samo urządzenie są uszkodzone.
 - Aby zapobiec uszkodzeniu przewodu zasilającego, nie wolno dopuścić do jego ściskania, zginania lub ocierania o ostre krawędzie. Trzymaj przewód zasilający z dala od gorących powierzchni i otwartego ognia.
 - Urządzenia można używać tylko wtedy, gdy jest podłączone do gniazda ściennego z uziemieniem.
- OSTRZEŻENIE:** Podłącz urządzenie do zasilania dopiero po całkowitym zakończeniu montażu.
- Urządzenie ustaw tak, aby zawsze był możliwy dostęp do wtyczki.
 - Nie należy dotykać lamp, jeśli były włączone przez długi czas. Grozi to poparzeniem dłoni gorącą żarówką.
 - Należy stosować się do wymagań dotyczących odprowadzania powietrza wywiewanego (to ostrzeżenie nie dotyczy sytuacji korzystania z okapu bez przewodu spalinowego).
 - Okap należy uruchamiać po ustawieniu garnka, patelni itp. na płycie grzewczej. W przeciwnym wypadku wysoka temperatura może doprowadzić do zniekształcenia niektórych części produktu.
 - Okap należy wyłączać przed zdjęciem garnka, patelni itp. z płyty grzewczej.
 - Nie pozostawiać rozgrzanego oleju na płycie grzewczej. Garnki z gorącym olejem mogą się zapalić samoczynnie.
 - Należy uważać na zasłony i inne elementy osłaniające okna, ponieważ olej może zapalić się samoczynnie podczas smażenia np. frytek.
 - Filtr tłuszczu należy wymieniać co najmniej raz w miesiącu. Filtr wę-

1 Ważne instrukcje dotyczące bezpieczeństwa i ochrony środowiska

głowy należy wymieniać co najmniej raz na 3 miesiące.

- Produkt należy czyścić zgodnie z instrukcją obsługi. Czyszczenie w sposób niezgodny z instrukcją obsługi może prowadzić do ryzyka pożaru.
- Zabrania się stosowania materiałów filtracyjnych nieodpornych na ogień zamiast właściwych filtrów.
- Należy stosować wyłącznie oryginalne lub zalecane przez producenta części zamienne.
- Nie uruchamiać produktu bez zamontowanego filtra ani nie wyjmować filtrów z pracującego okapu.
- W razie pojawienia się płomieni odłączyć produkt oraz urządzenia kuchenne od zasilania.
- W razie pojawienia się płomieni przykryć płomień i w żadnym wypadku nie gasić go wodą.
- Przed każdym czyszczeniem urządzenia i gdy nie jest ono używane należy wyjąć wtyczkę z gniazdka ściennego.
- Podciśnienie w otoczeniu nie może przekraczać 4 Pa (4 × 10 barów) przy równoczesnym działaniu okapu nad elektryczną

płytą grzewczą i urządzeń AGD zasilanych elektrycznie prądem o innych parametrach.

- Jeśli w pomieszczeniu, w którym działa okap, są wykorzystywane urządzenia zasilane olejem opałowym lub gazem, jak np. ogrzewacze pomieszczeń, to wylot spalin z takich urządzeń musi być całkowicie odizolowany lub takie urządzenia muszą być hermetyczne.
- Jako przewody spalinowe należy stosować rury o średnicy 120 lub 150 mm. Rura łącząca musi być możliwie jak najkrótsza i mieć jak najmniej kolanek.

Niebezpieczeństwo zadławienia! Wszystkie materiały opakowaniowe należy trzymać z dala od dzieci.

1 Ważne instrukcje dotyczące bezpieczeństwa i ochrony środowiska

OSTRZEŻENIE: Jeśli jest to okap nad kuchnią, jego wystające części mogą się nagrzewać.

- Wylotu produktu nie wolno przyłączać do kanałów powietrznych, które odprowadzają inny dym.
- Wentylacja w pomieszczeniu może być niewystarczająca w przypadku równoczesnego korzystania z okapu nad elektryczną płytą grzewczą oraz urządzeń zasilanych gazem lub innymi paliwami (niniejsze ostrzeżenie może nie dotyczyć urządzeń, które odprowadzają powietrze z powrotem do pomieszczenia).
- Przedmioty znajdujące się na produkcie mogą spaść. Nie stawiać żadnych przedmiotów na produkcie.
- Nie flambiować bezpośrednio nad urządzeniem.

OSTRZEŻENIE: Przed zamontowaniem okapu usunąć folię ochronną.

- Nie wolno pozostawiać otwartego ognia pod działającym okapem
- Frytkownice trzeba stale obserwować w trakcie użytkowania: przegrzany olej może zająć się płomieniem.

1.2 Zgodność z dyrektywą WEEE i pozbywanie się zużytych wyrobów:

Wyrób ten jest zgodny z dyrektywą Unii Europejskiej w sprawie zużytego sprzętu elektrycznego i elektronicznego (WEEE) (2012/19/UE). Wyrób opatrzony jest symbolem klasyfikacyjnym dla zużytego sprzętu elektrycznego i elektronicznego (WEEE).



Symbol ten oznacza, że produktu nie należy utylizować z innymi domowymi śmieciami po zakończeniu okresu użytkowania. Zużyte urządzenie należy oddać do oficjalnego punktu odbioru zajmującego się recyklingiem urządzeń elektrycznych i elektronicznych. Aby odnaleźć tego typu miejsce, należy skontaktować się z lokalnymi władzami lub sprzedawcą, u którego zakupiono produkt. Każde gospodarstwo domowe odgrywa ważną rolę w odzyskiwaniu i recyklingu starych urządzeń.

Odpowiednia utylizacja zużytego urządzenia pomaga zapobiegać potencjalnie negatywnym konsekwencjom dla środowiska i zdrowia ludzi.

1 Ważne instrukcje dotyczące bezpieczeństwa i ochrony środowiska

1.3 Zgodność z dyrektywą RoHS

Zakupiony wyrób jest zgodny z dyrektywą RoHS Unii Europejskiej (2011/65/UE). Nie zawiera szkodliwych ani zakazanych materiałów wyszczególnionych w tej Dyrektywie.

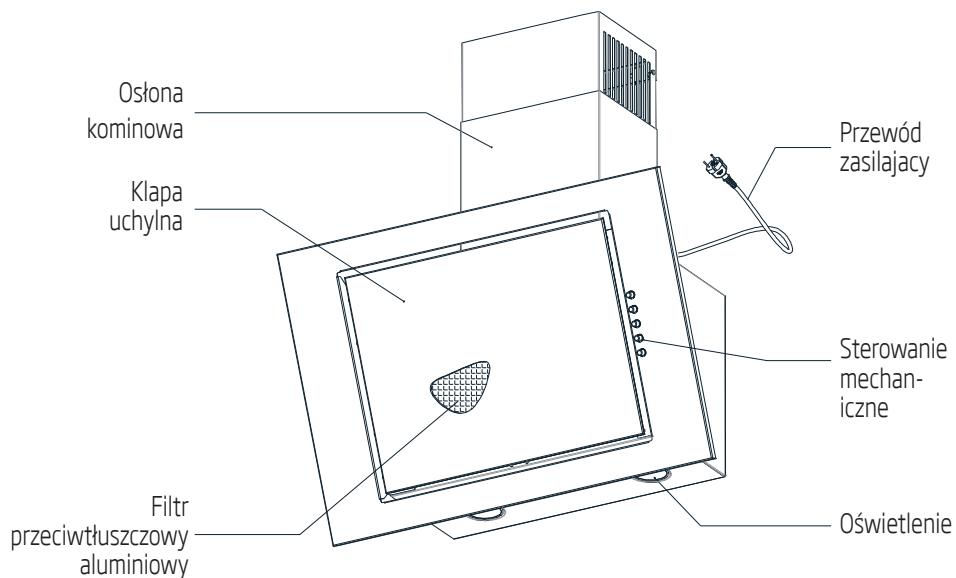
1.4 Informacje o opakowaniu



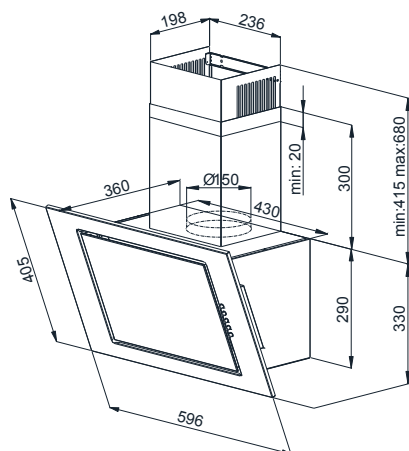
Materiały, w które opakowany jest produkt zostały wyprodukowane z surowców uzyskanych w procesie recyklingu zgodnie z krajowymi przepisami z zakresu ochrony środowiska. Nie należy utylizować materiałów opakowaniowych wraz z innymi odpadami domowymi. Należy oddać je w jednym z punktów zbiórki materiałów opakowaniowych wyznaczonych przez władze lokalne.

2 Dane techniczne

Dane techniczne zawarte w niniejszej instrukcji obsługi oraz na dołączonych do okapu etykietach zostały uzyskane poprzez wykonanie pomiarów i obliczeń zgodnie z wymogami rozporządzenia UE nr 65/2014 oraz 66/2014.



Rys.1 Rysunek poglądowy okapu kuchennego



Rys.2 Rysunek gabarytowy

3.1 Obsługa okapu

Okap jest przeznaczony do zasysania oparów podczas przygotowywania posiłków. Urządzenie może pracować w dwóch trybach :

Jako wyciąg: opary usuwane są na zewnątrz pomieszczenia za pomocą rury odprowadzającej. Rura odprowadzająca nie jest dostępna w komplecie z urządzeniem i należy ją zakupić oddzielnie.



- Należy używać jak najkrótszego przewodu odprowadzającego opary.
- Należy używać przewodu odprowadzającego o jak najgładziej powierzchni wewnętrznej (nie zaleca się stosowania rur typu spiro).
- Stosować przewód o jak najmniejszej liczbie zagięć (kąty zgięć nie powinny być większe niż 90 stopni).
- Nie zaleca się stosowania zmian przekroju przewodu (większego na mniejszy np. wylot powietrza Ø150 mm na wylot powietrza Ø120mm).


Jako pochłaniacz: opary są oczyszczane z tłuszczu i zapachów, zanim zostaną zwrócone do pomieszczenia przez kratki w górnej osłonie komina. Aby okap pracował jako pochłaniacz należy zainstalować filtr węglowy (Rys.10). Filtr węglowy nie jest wyposażeniem standardowym i należy zakupić go u sprzedawcy

3.2 Sterowanie pracą okapu

Okap wyposażony jest w sterowanie mechaniczne.

- Wciśnięcie przycisku „0” - powoduje wyłączenie turbiny okapu
- Wciśnięcie przycisku „1” - powoduje włączenie turbiny okapu z minimalną prędkością
- Wciśnięcie przycisku „2” - powoduje włączenie turbiny okapu ze średnią prędkością
- Wciśnięcie przycisku „3” - powoduje włączenie turbiny okapu z maksymalną prędkością
- Wyższy bieg oznacza większy przepływ powietrza.

Button switches the light on. To switch the light off, press the button one more time.

- Wciśnięcie przycisku  - powoduje włączenie oświetlenia. Powtórne wciśnięcie przycisku wyłącza oświetlenie.

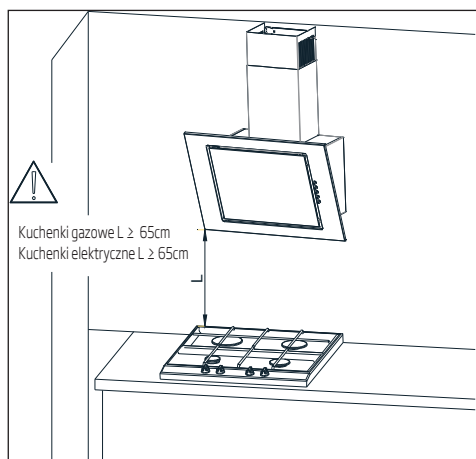
4 Instalacja

4.1 Instalacja okapu



Niezgodne z instrukcją zastosowanie śrub lub elementów mocujących może grozić porażeniem prądem elektrycznym.

Minimalna odległość zawieszenia okapu między powierzchnią, na której znajdują się naczynia na urządzeniu grzewczym (kuchenka gazowa, elektryczna), a najniższą częścią okapu kuchennego (Rys.3) powinna wynosić, nie mniej niż 65 cm dla kuchenek o zasilaniu elektrycznym i nie mniej niż 65 cm dla kuchenek gazowych. Jeżeli w instrukcji obsługi urządzenia grzewczego podana jest większa odległość instalowania okapu kuchennego niż wskazana powyżej, należy dostosować się do takich wskazań. Montaż okapu i osłony kominowej okapu przedstawiony jest na rysunkach (Rys.4 - Rys.9). Okap wyposażony jest w kołki mocujące odpowiednie do większości ścian i sufitów. Podczas montażu należy przestrzegać ogólnie obowiązujących przepisów dotyczących odprowadzenia powietrza z pomieszczeń.



Rys.3 Sugerowana odległość od płyty grzewczej

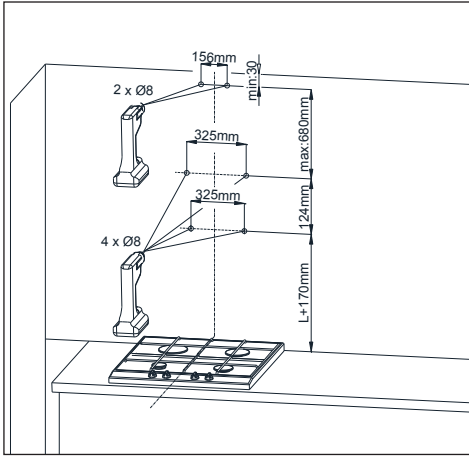
Przed przystąpieniem do instalacji należy:

- Sprawdzić, czy wymiary zakupionego produktu są dostosowane do wybranego miejsca docelowego.
- Odłączyć i usunąć (jeżeli istnieje taka możliwość) meble znajdujące się w obszarze instalacji okapu, aby uzyskać łatwy dostęp do sufitu lub ściany na której ma być zamontowany okap. Jeśli nie jest to możliwe należy zabezpieczyć elementy znajdujące się w pobliżu wykonywanych prac.
- Sprawdzić, czy w pobliżu strefy montowania okapu znajduje się gniazdko wtykowe i czy można podłączyć okap do przewodu wentylacyjnego odprowadzającego opary na zewnątrz.
- Sprawdzić, czy w miejscach w których będą wykonane wiercenia nie znajdują się przewody instalacyjne (elektryczne, hydrauliczne itp.).
- Wyposażyć się w następujące narzędzia: miarkę, ołówek, wiertarkę /wkrętarkę, wiertło $\varnothing 8$, śrubokręt, poziomice.

4 Instalacja

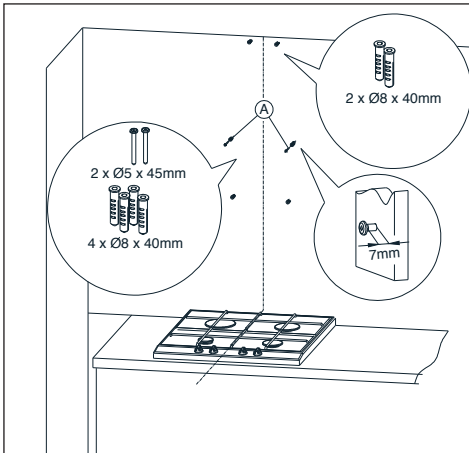
Czynności montażowe:

1. Wyznaczyć oś elementu grzewczego i przenieść ją na ścianę gdzie będzie zamontowany okap. Zaznaczyć wszystkie charakterystyczne punkty mocowań okapu. Użyć wiertarki i wywiercić otwory. (Rys. 4)



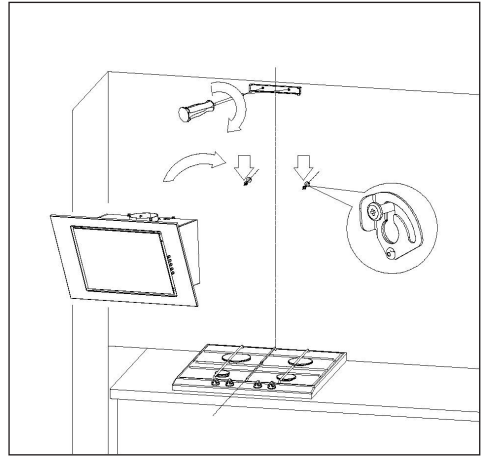
Rys. 4 Wymiary montażowe

2. W wywiercone otwory włożyć kołki rozporowe. W dwa otwory oznaczone literą A również wkręcić wkręty pozostawiając 7 mm długości wkrętu na zewnątrz kołka (Rys.5).



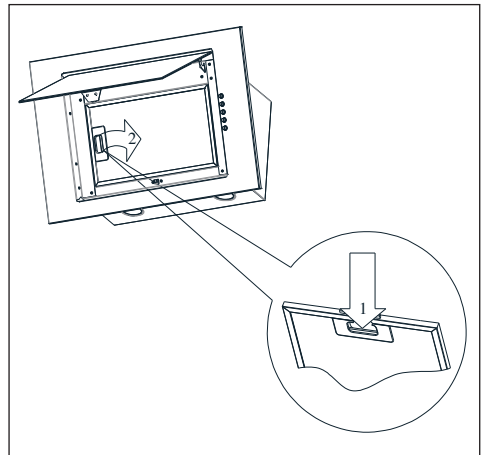
Rys.5 Montaż kołków rozporowych

3. Przykręcić uchwyt mocowania osłony kominowej, zawiesić okap kuchenny na dwóch niedokręconych wkrętach (Rys. 6).



Rys.6 Zawieszanie okapu

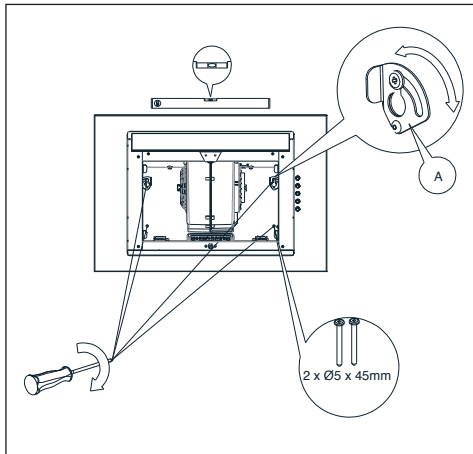
4. Otworzyć klapę okapu i wymontować filtr przeciw tłuszczowy (Rys.7).



Rys.7 Demontaż filtra aluminiowego przeciw tłuszczowego.

4 Instalacja

5. Umieścić poziomicę na korpusie okapu kuchennego. Obracając elementem oznaczonym literą A ustawić okap w poziomie zgodnie ze wskazaniem poziomici, a następnie dokręcić dwa już wkręcone po części wkręty i wkręcić dwa pozostałe (Rys.8).



Rys.8 Ustawianie okapu kuchennego

6. Umieścić na korpusie osłonę kominową. Następnie delikatnie wysuwać część okapu oznaczoną literą B ku górze, do momentu aż będzie możliwość przykręcenia jej do uchwyty mocowania, wcześniej przymocowanego do ściany (Rys 9).



Zachowaj szczególną uwagę podczas rozsuwania osłony kominowej

Rys.9 Montaż osłony kominowej.



Tę operację montażu należy przeprowadzić bardzo ostrożnie, aby nie porysować osłony kominy i samego okapu.

4.2 Podłączenie elektryczne

Napięcie sieciowe musi odpowiadać napięciu wskazanemu na tabliczce umieszczonej w wewnętrznej części okapu. Jeżeli okap wyposażony jest we wtyczkę należy ją umieścić w gniazdku wtykowym spełniającym wymagania obowiązujących przepisów i znajdującym się w łatwo dostępnym miejscu. Jeżeli okap nie jest wyposażony we wtyczkę, instalację okapu należy powierzyć osobie z odpowiednimi uprawnieniami (np. elektrykowi).

5 Czystczenie i konserwacja

5.1 Czystczenie

- Przede wszystkim nie zaniedbuj czyszczenia okapu zaraz po smażeniu.
- Okap z zewnątrz czyści się miękką ściereczką nasączoną płynnym detergentem.
- Do czyszczenia nie należy używać materiałów szorstkich ani ciernych.
- Można używać dostępnych w handlu środków czyszczących uporczywy tłusty brud itp., stosując się do ostrzeżeń na ich opakowaniu. Aby nie zarysować szczotkowanej stali korpusu, wycieraj go w kierunku zgodnym z ruchem szczotki.
- Aby zachować stan powierzchni okapu, nie używaj środków zawierających kwas solny, wybielacze, ani proszki ściernie. Używaj ściereczki nawilżonej wodą z mydłem lub specjalnego sprayu do czyszczenia powierzchni ze stali nierdzewnej. Usuń z okapu folię ochronną.



Ostrzeżenie! Jeśli nie postępuje się zgodnie z instrukcjami czyszczenia i wymiany filtrów w okapie, można spowodować pożar.

5.2 Filtr przeciwtłuszczowy

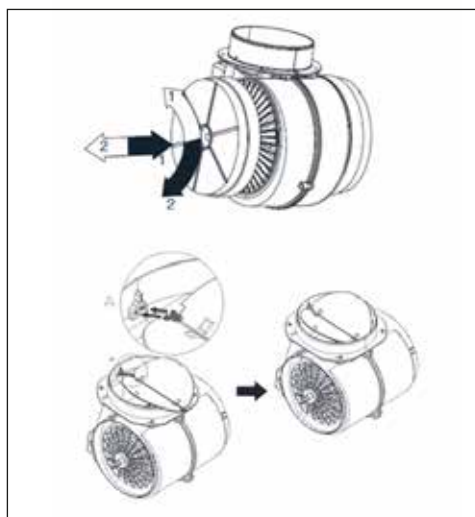
Okap jest wyposażony w filtr aluminiowy, który zatrzymuje cząstki tłuszczu pochodzące z gotowania. Filtr wyjmuje się poprzez przesunięcie zamków w kierunku wskazanym strzałkami (Rys.7). Filtr powinien być myty ręcznie poprzez zanurzenie na 15 minut w wodzie z płynem do mycia naczyń o temperaturze 40-50°C. Po upływie 15 minut należy rozpocząć mycie, a następnie dokładnie opłukać filtr. Filtr musi być suchy przed ponownym umieszczeniem w okapie. Filtr może być również myty w zmywarkach. Filtr podczas mycia może się odbarwić, co nie ma wpływu na jego właściwości filtrowania. Nieczyszczony regularnie filtr zmniejsza wydajność okapu i może przyczynić się do powstania pożaru. Filtr należy czyścić przynajmniej co 35 godzin pracy okapu.

5.3 Filtr węglowy

Okap może być wyposażony w filtr węglowy. Filtr węglowy stosuje się wyłącznie kiedy okap nie jest podłączony do przewodu wentylacyjnego. Filtr należy umieścić na obudowie turbiny, jak ilustruje to rysunek (Rys.10). Filtr węglowy powinien być wymieniany co 6 miesięcy.



Nie wolno myć lub regenerować filtra węglowego.



Rys.10 Wymiana filtra węglowego.

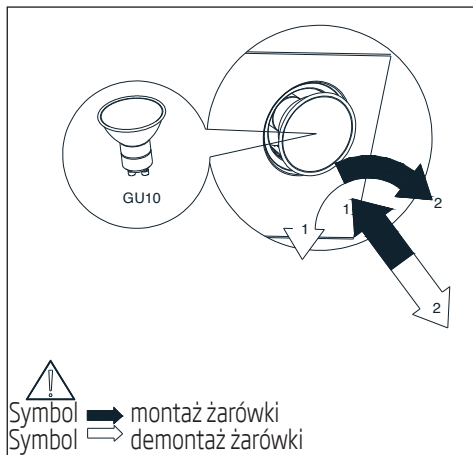
5 Czyszczenie i konserwacja

5.4 Wymiana oświetlenia

Przed przystąpieniem do jakichkolwiek prac związanych z wymianą oświetlenia, należy odłączyć zasilanie. Jeżeli okap był wcześniej włączony należy odczekać aby żarówki się ochłodziły i po ochłodzeniu można przystąpić do ich wymiany. Proces wymiany żarówki przedstawia Rys.11.



- Przed wymianą żarówek należy odłączyć zasilanie okapu.
- Nie należy dotykać żarówek dopóki są gorące.
- Należy uważać, aby nie dotykać bezpośrednio zakładanej żarówki rękami.



Rys.11 Wymiana oświetlenia.

5.5 Sposoby zmniejszenia wpływu procesu gotowania na środowisko

- W celu zmniejszenia zużycia energii należy gotować w naczyniach pod przykrywką.
- Filtry aluminiowe okapu należy utrzymywać w czystości (zalecany czas pracy filtra aluminiowego pomiędzy jego czyszczeniami wynosi max 35h pracy okapu).
- Należy dbać o drożność przewodów wentylacyjnych.
- Poziom pracy turbiny podczas gotowania należy zawsze ustawiać na minimalny bieg, który pozwoli na usunięcie oparów przy aktualnej intensywności gotowania.

Jeśli trzeba okap przewieźć:

- Zachowaj jego oryginalne opakowanie. Okap przewozi się w oryginalnym opakowaniu i zgodnie z podanymi na nim oznaczeniami transportowymi.

Jeśli nie masz oryginalnego opakowania:

- Nie stawiaj niczego na okapie.
- Zabezpiecz powierzchnię zewnętrzną przed uderzeniami.
- Tak opakuj okap, żeby się nie uszkodził w transporcie.

6 Rozwiązywanie problemów

Objawy	Przyczyny wystąpienia	Sposoby naprawy
Podczas pracy okapu na wyświetlaczu pojawia się pulsująca litera "F".	Po 35 godzinach pracy okap sygnalizuje konieczność wyczyszczenia lub wymiany filtra przeciwłuszczowego.	Należy nacisnąć i przytrzymać przez ok. 8s pole "-" na sterowniku dotykowym. Filtr należy umyć w zmywarce lub wymienić na nowy.
Wyświetlacz pokazuje jedynie znak "-," (minus oraz kropka w prawym dolnym rogu), okap nie reaguje na próbę włączenia.	Panel dotykowy został zablokowany - jest to funkcja ułatwiająca mycie okapu.	Aby wyłączyć blokadę należy nacisnąć i przytrzymać przez ok. 10s pole z symbolem włącznika.
Na wyświetlaczu nie pojawia się żaden symbol, okap nie reaguje na naciskanie pól sterowania.	Prawdopodobnie zawiesił się panel sterowania.	Należy odłączyć okap od źródła zasilania na ok. 15s i włączyć go ponownie.
Wyświetlacz pokazuje symbol jednego z biegów, okap nie reaguje na naciskanie pól sterowania.	Prawdopodobnie zawiesił się panel sterowania.	Należy odłączyć okap od źródła zasilania na ok. 15s i włączyć go ponownie.
Turbina okapu wyłącza się po 15min pracy, na wyświetlaczu pulsuje np. "1." (numer aktualnego biegu i kropka w prawym dolnym rogu wyświetlacza).	Został aktywowany automatyczny wyłącznik czasowy panelu sterowania.	Aby deaktywować wyłącznik czasowy należy nacisnąć i przytrzymać przez ok. 10s symbol plus lub wyłączyć okap.
Na czwartym biegu pulsuje cyfra "4" na wyświetlaczu, po 5min bieg zmienia się na trzeci.	Okap wyposażony jest w tryb turbo, który po 5min pracy automatycznie zmienia bieg na trzeci w celu oszczędzania energii.	Trybu turbo należy używać jedynie przy intensywnym gotowaniu.
Okap można obsługiwać jedynie za pomocą panelu sterowania, nie reaguje na pilota	Wyczerpała się bateria w pilocie lub odległość jest zbyt duża.	Należy wymienić baterię na nową.
Okap słabo zasysa opary.	Prawdopodobną przyczyną są zanieczyszczone filtry	Filtr przeciwłuszczowy należy umyć w zmywarce lub wymienić na nowy. Filtr węglowy (jeśli występuje) należy wymienić na nowy.
Nie świeci jeden lub więcej punkt świetlny.	Przepalona żarówka halogenowa / ledowa.	Żarówkę należy wymienić na nową, zgodną z symbolem podanym w instrukcji obsługi okapu.
Okap generuje nadmierny hałas i wibracje.	Przyczyną może być nieprawidłowy montaż okapu do ściany lub szafki kuchennej. Nie przykręcono wszystkich przewidzianych wkrętów lub nie dokręcono wkrętów, pozostawiając luz.	Okap musi być zamontowany do ściany lub szafki z wykorzystaniem wszystkich punktów przewidzianych przez producenta. Po wyregulowaniu położenia okapu w pionie i w poziomie należy dokręcić wszystkie wkręty montażowe.
* dotyczy okapów ze sterowaniem dotykowym		
Jeśli powyższe zalecenia nie rozwiązują problemów, należy skontaktować się z autoryzowanym serwisem AGD uprawnionym do naprawy. Pod żadnym pozorem użytkownik okapu nie jest uprawniony do samodzielnych napraw. Wykaz punktów serwisowych znajduje się na karcie gwarancyjnej oraz na stronie internetowej.		

Drodzy Klienci,

Dziękujemy za zakup naszych produktów. Jesteśmy przekonani, że nasze urządzenia będą służyć przez lata. Każdy produkt firmy Beko jest objęty 2-letnim okresem gwarancji.

Warunki gwarancji Beko S.A- (małe urządzenia AGD)

BEKO spółka akcyjna z siedzibą w Warszawie (02-819), przy ulicy Puławskiej 366, wpisana do rejestru przedsiębiorców prowadzonego przez Sąd Rejonowy dla m.st. Warszawy w Warszawie, XIII Wydział Gospodarczy Krajowego Rejestru Sądowego, pod numerem: 0000078147 (dalej: „BEKO”) udziela gwarancji jakości (dalej: „Gwarancja”) na wprowadzone przez BEKO do obrotu na terenie Polski produkty marki BEKO (dalej: „Urządzenia”) osobom, które nabyły te produkty („Użytkownik”) na następujących warunkach:

I. ZAKRES OCHRONY.

BEKO gwarantuje, że Urządzenie zakupione przez Użytkownika jest wolne od wad produkcyjnych lub materiałowych, powstałych z przyczyn tkwiących w tym Urządzeniu (dalej: „Wada”), które ujawnią się w ciągu terminu określonego w części II. niniejszych Warunków Gwarancji (dalej: „Okres Gwarancyjny”).

W razie ujawnienia się Wady Produktu w trakcie Okresu Gwarancyjnego, zostanie ona usunięta na koszt BEKO w sposób uzależniony od właściwości wady, na zasadach i w zakresie określonym w niniejszych Warunkach Gwarancji.

BEKO zobowiązuje się do usunięcia Wady poprzez dokonanie nieodpłatnej naprawy lub wymiany Urządzenia, bądź też reklamacja zgłoszona na podstawie niniejszych Warunków Gwarancji zostanie rozpoznana w inny sposób uzgodniony przez BEKO i Użytkownika.

Udzielona gwarancja jest ważna na terytorium Rzeczypospolitej Polskiej.

II. CZAS TRWANIA GWARANCJI.

Okres Gwarancyjny wynosi 24 miesiące licząc od daty zakupu Urządzenia przez pierwszego Użytkownika.

III. PROCEDURA ZGŁOSZENIA REKLAMACYJNEGO.

Wady Urządzenia ujawnione w Okresie Gwarancyjnym będą usuwane pod warunkiem przedstawienia przez Użytkownika dowodu zakupu tego Urządzenia zawierającego oznaczenia niezbędne do jego identyfikacji (model, datę zakupu).

Uprawnienia wynikające z niniejszych Warunków Gwarancji mogą być zrealizowane przez Użytkownika wyłącznie w Autoryzowanych Punktach Serwisowych BEKO (dalej: „Serwis”) po uprzednim dokonaniu zgłoszenia na Infolinii BEKO pod numerem telefonu: 222501414. Urządzenie powinno być odpowiednio zapakowane i zabezpieczone przez Użytkownika na czas transportu do punktu serwisowego Beko.

Wady Urządzenia będą usunięte w terminie 14 dni od daty zgłoszenia Wady na Infolinii BEKO. Jeżeli część zamienna wymieniana w ramach uprawnień wynikających z niniejszych Warunków Gwarancji Urządzenia jest sprowadzana z zagranicy, termin naprawy, o którym mowa w punkcie 5 powyżej, może ulec wydłużeniu jednak, nie więcej niż do 30 dni licząc odpowiednio od daty zgłosze-

nia Wady na Infolinii BEKO. Informacje o spodziewanych terminach napraw dostępne są na Infolinii BEKO pod numerem 222501414. Po usunięciu Wady, Urządzenie zostanie dostarczone Użytkownikowi na koszt BEKO.

IV. WYŁĄCZENIA.

Warunkiem skorzystania z niniejszych Warunków Gwarancji jest:

użytkowanie Urządzenia zgodnie z Instrukcją Obsługi dołączoną do tego Urządzenia i jego przeznaczeniem, jak również odpowiednie czyszczenie i konserwację Urządzenia;

użytkowanie w warunkach indywidualnego gospodarstwa domowego. Urządzenie nie jest używane do celów prowadzenia działalności gospodarczej lub w zastosowaniach eksploatacji masowej, w szczególności w gastronomicznej działalności hoteli, restauracji i innych obiektów turystyczno-rekreacyjnych lub zbiorowego żywienia. stosowanie osprzętu zalecanego przez producenta; brak ingerencji w Urządzenie przez osoby do tego nieupoważnione; brak ingerencji w tabliczkę znamionową z numerem seryjnym Urządzenia. Udzielona przez Beko Gwarancja nie obejmuje:

wad powstałych z przyczyn innych niż tkwiące w Urządzeniu;

normalnego zużycia elementów eksploatacyjnych tj. akumulatory, baterie, noże, filtry, żarówki, szczotki, itp.;

czynności przewidzianych w Instrukcji Obsługi, do wykonania których zobowiązany jest Użytkownik Urządzenia we własnym zakresie i na swój koszt, w tym: instruktażu dotyczącego obsługi Urządzenia, instalacji oraz regulacji urządzenia.

usterek powstałych w wyniku nieprawidłowego lub niewłaściwego użytkowania, niedbalstwa, przypadkowego uszkodzenia Urządzenia, nieodpowiedniego napięcia prądu lub dokonania jakichkolwiek zmian, które mają wpływ na niewłaściwe działanie Urządzenia, i które naprawiane były przez osoby nieupoważnione, używania instalacji niezgodnych

z odpowiednimi Polskimi Normami i innych niż wymienione w Instrukcji Obsługi Urządzenia;

uszkodzeń mechanicznych, termicznych, chemicznych, korozji, innych uszkodzeń spowodowanych działaniem lub zaniedbaniem Użytkownika lub powstałych na skutek działania sił zewnętrznych (do których zalicza się w szczególności wyładowania atmosferyczne, skoki napięcia, wszystkiego rodzaju awarie domowej instalacji wodno-kanalizacyjnej, itp.), a także powstałych na skutek przedostania się zanieczyszczeń lub ciał obcych do Urządzenia, zakamienienia (proces odkamieniania musi być przeprowadzany zgodnie z instrukcją obsługi z użyciem odpowiednich środków czyszczących) elementów ze szkła, plastiku oraz porcelany; odbarwień Urządzenia lub poszczególnych jego części;

usterek powstałych na skutek przechowywania i użytkowania Urządzenia w warunkach, które są niezgodne z normalnymi warunkami domowymi określonymi wymaganiami powszechnie obowiązujących przepisów prawa i odpowiednich Polskich Norm;

V. POZOSTAŁE POSTANOWIENIA.

Niniejsze warunki gwarancji mają zastosowanie do Urządzeń zakupionych od dnia 01.03.2019 r.

Gwarant oświadcza, że niniejsza Gwarancja jest udzielana Użytkownikowi dodatkowo i nie wyłącza, nie ogranicza ani nie zawiesza uprawnień Użytkownika wynikających z przepisów o rękojmi za wady rzeczy sprzedanej na podstawie Kodeksu cywilnego.

Avant d'utiliser l'appareil, veuillez lire ce manuel !

Cher client, chère cliente,

Merci d'avoir choisi les produits Beko. Nous espérons que ce produit, fabriqué dans des installations modernes et soumis à un processus de contrôle qualité rigoureux, vous offre les meilleures performances possibles. C'est pourquoi nous vous recommandons, avant d'utiliser ce produit, de lire attentivement ce manuel et tous les autres documents fournis et de les conserver soigneusement pour toute consultation future. Si vous confiez le produit à quelqu'un d'autre, n'oubliez pas de lui remettre également le manuel d'utilisation. Veillez à bien respecter les consignes et les instructions figurant dans le manuel d'utilisation.

N'oubliez pas que ce manuel d'utilisation s'applique aussi à plusieurs autres modèles d'appareils. Les différences entre un modèle et un autre sont clairement exposées dans le manuel.

Signification des pictogrammes

Les symboles suivants sont repris tout au long de ce manuel:



Informations importantes et conseils utiles concernant l'utilisation de l'appareil.



AVERTISSEMENT : Avertissement sur les situations dangereuses concernant la sécurité des biens et des personnes.



Avertissement contre le risque d'incendie.



Avertissement contre le risque d'électrocution.



Ce produit a été fabriqué dans les usines modernes respectueuses de l'environnement.

Cet appareil est conforme à la directive DEEE



Il ne contient pas de PCB.

1.1 Consignes générales de sécurité

Consignes de sécurité importantes
- Lire attentivement et conserver pour référence ultérieure

Cette section contient les consignes de sécurité qui aident à se prémunir contre les risques d'incendie, d'électrocution, d'exposition aux fuites d'énergie à micro-ondes, de dommages corporels ou de dégâts matériels. Le non-respect de ces instructions entraînera l'annulation de toute garantie.

- Les produits Beko sont conformes aux normes de sécurité applicables. Par conséquent, en cas de dommage sur l'appareil ou son câble d'alimentation, le faire réparer ou remplacer par le revendeur, le centre SAV, un spécialiste ou des services habilités afin de prévenir tout danger. Des réparations défectueuses et non professionnelles peuvent être sources de danger et de risque pour l'utilisateur.
- Cet appareil est conçu pour un usage domestique et des utilisations similaires comme :
 - dans les coins cuisine du personnel dans les magasins, bureaux, et autres environnements de travail ;

- les fermes

- Par les clients des hôtels et autres types d'environnements résidentiels ;

- et dans les chambres d'hôte.

- Utiliser l'appareil uniquement aux fins pour lesquelles il a été conçu, comme décrit dans les présentes instructions.
- Le fabricant n'est pas responsable des dommages résultant d'une mauvaise installation ou d'une mauvaise utilisation du produit.
- Cet appareil peut être utilisé par des enfants de 8 ans minimum, des personnes à capacités physiques, sensorielles ou mentales réduites et des personnes manquant d'expérience ou de connaissances suffisantes en la matière, à condition qu'elles aient été préparées à un maniement sécurisé de l'appareil et qu'elles aient pleinement conscience des risques encourus.
- Les enfants n'ont pas le droit de jouer avec l'appareil. Le nettoyage et l'entretien de l'appareil ne doivent pas être effectués par des enfants laissés sans surveillance.
- La distance minimale entre la surface d'appui des récipients de cui-

Instructions importantes en matière de sécurité et d'environnement

sson sur la plaque de cuisson et la partie la plus basse de votre produit doit être d'au moins 65 cm.

- Si des instructions relatives à l'installation de la plaque à gaz exigent plus de distance, prenez-les en compte.
- S'assurer que la source d'alimentation électrique est conforme aux informations spécifiées sur la plaque signalétique de l'appareil.
- Ne jamais utiliser l'appareil si le câble d'alimentation ou l'appareil lui-même est endommagé.
- Pour éviter d'endommager le câble d'alimentation, éviter de l'aplatir, de le plier ou même de le frotter contre des bords coupants. Éloigner le câble d'alimentation de toute surface brûlante et des flammes.
- Utilisez l'appareil uniquement avec une prise de terre.

AVERTISSEMENT : Ne branchez pas l'appareil sur le secteur avant la fin de l'installation.

- Placer l'appareil de sorte que la prise soit toujours accessible.
- Ne touchez pas les lampes si elles ont été utilisées pendant une longue période. Elles sont chaudes et risqueraient donc de provoquer

des brûlures aux mains.

- Respectez la réglementation des autorités compétentes en matière d'évacuation de l'air évacué (cette mise en garde ne s'applique pas à l'utilisation sans conduit).
- Faites fonctionner votre appareil après avoir posé une casserole, une poêle, etc. sur la plaque de cuisson. Autrement, la température élevée peut provoquer la déformation de certaines pièces de votre produit.
- Éteignez la plaque de cuisson avant d'en retirer la casserole, la poêle, etc.
- Ne laissez pas d'huile chaude sur la plaque de cuisson. Les casseroles contenant de l'huile chaude peuvent s'enflammer.
- Faites attention à vos rideaux et à vos couvertures, car l'huile peut prendre feu pendant la cuisson de certains aliments, comme les frites.
- Le filtre à graisse doit être remplacé au moins une fois par mois. Le filtre à charbon doit être remplacé au moins tous les 3 mois.
- Le produit doit être nettoyé conformément au manuel d'utilisation. Si le nettoyage n'a pas été

1

Instructions importantes en matière de sécurité et d'environnement

effectué conformément au manuel d'utilisation, il peut y avoir un risque d'incendie.

- N'utilisez pas de matériaux filtrants ignifuges à la place des filtres actuels.
- Utilisez uniquement des pièces d'origine ou pièces recommandées par le fabricant.
- N'utilisez jamais l'appareil sans le filtre et ne retirez pas les filtres lorsque l'appareil est en marche.
- En cas d'apparition d'une flamme, éteignez votre produit et vos appareils de cuisson.
- En cas d'apparition d'une flamme, couvrez la flamme et n'utilisez jamais d'eau pour l'éteindre.
- Débranchez l'appareil avant chaque nettoyage et lorsque l'appareil n'est pas en cours d'utilisation.
- La pression négative dans l'environnement ne doit pas dépasser 4 Pa (4 x 10 bars) lorsque la hotte de la table de cuisson électrique et les appareils fonctionnant avec un autre type d'énergie que l'électricité fonctionnent simultanément.
- Dans l'environnement dans lequel l'appareil est utilisé, les gaz résiduels des appareils fonctionnant

au fioul ou au gaz, tels que le chauffage de la pièce, doivent être totalement isolés ou l'appareil doit être de type étanche.

- Pour le raccordement du conduit, utilisez des tuyaux d'un diamètre de 120 ou 150 mm. Le raccordement du tuyau doit être aussi court que possible et avoir le minimum de coudes que possible.

Risque d'étranglement! Conservez tous les emballages hors de portée des enfants.

ATTENTION : Les pièces accessibles peuvent devenir chaudes lorsqu'elles sont utilisées avec des appareils de cuisson.

- Ne connectez pas la prise du produit aux canaux d'air qui contiennent d'autres fumées.
- La ventilation de la pièce peut être insuffisante lorsque la hotte de la table de cuisson électrique est utilisée en même temps que les appareils fonctionnant au gaz ou avec d'autres combustibles (ceci peut ne pas s'appliquer aux appareils qui rejettent uniquement l'air dans la pièce).
- Les objets placés sur le produit peuvent tomber. Ne posez aucun objet sur le produit.

Instructions importantes en matière de sécurité et d'environnement

- Ne brûlez rien sous votre produit.
- **AVERTISSEMENT :** Retirez les films protecteurs avant d'installer la hotte.
- Ne laissez jamais des grandes flammes nues sous la hotte lorsqu'elle est en fonctionnement.
- Gardez les friteuses en permanence sous surveillance pendant l'utilisation : de l'huile surchauffée peut prendre feu.

1.2 Conformité avec la Directive DEEE et Mise au rebut des appareils usagés :

Cet appareil est conforme à la directive DEEE. (2012/19/UE). Cet appareil porte le symbole de classification pour les déchets des équipements électriques et électroniques (DEEE).



Ce symbole indique que ce produit ne doit pas être jeté avec les déchets ménagers à la fin de sa vie utile. Les appareils usagés doivent être retournés au point de collecte officiel pour le recyclage des appareils électriques et électroniques. Pour trouver ces systèmes de collecte, veuillez contacter les autorités locales ou le détaillant auprès duquel vous avez acheté le produit. Chaque ménage joue un rôle important dans

la récupération et le recyclage des appareils ménagers usagés.

L'élimination appropriée des appareils usagés aide à prévenir les conséquences négatives potentielles pour l'environnement et la santé humaine.

1.3 Conformité avec la directive RoHS

L'appareil que vous avez acheté est conforme à la Directive RoHS de l'UE (2011/65/UE). Il ne contient pas de matières dangereuses et interdites spécifiées dans la directive.

1.4 Informations concernant l'emballage



Les matériaux d'emballage du produit sont fabriqués à partir de matériaux recyclables conformément à notre réglementation nationale sur la protection de l'environnement. Ne jetez pas les matériaux d'emballage avec les déchets domestiques et autres déchets. Déposez-les dans l'un des points de collecte de matériaux d'emballage prévus par l'autorité locale.

2 Spécifications techniques

Les informations techniques figurant dans ce manuel et sur les étiquettes de la hotte ont été obtenues à partir de mesures et de calculs conformes aux exigences des directives n° 65/2014 et 66/2014 de l'UE.

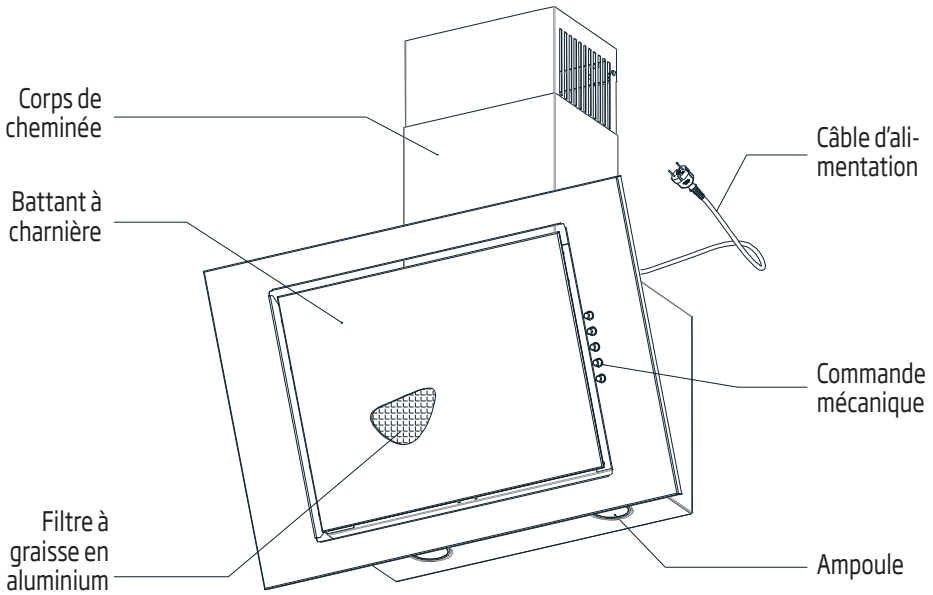


Fig. 1 Vue générale de la hotte

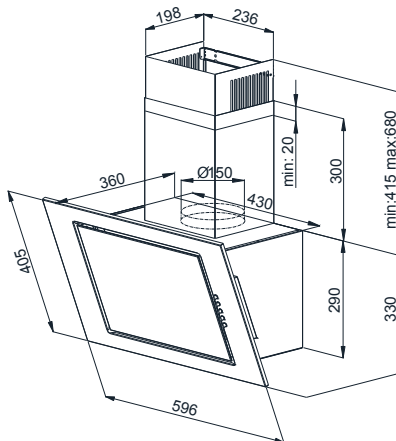


Fig. 2 Schéma des dimensions

3 Fonctionnement

3.1 Fonctionnement de la hotte

La hotte est destinée à aspirer les vapeurs pendant la cuisson. L'appareil peut fonctionner en deux modes :

En mode hotte d'extraction : les vapeurs sont aspirées dans le tube d'évacuation. Le tube d'évacuation n'est pas fourni avec l'appareil et doit être acheté séparément.



- Le canal d'évacuation des vapeurs le plus court possible doit être utilisé.
- Utilisez le conduit de cheminée avec une surface interne aussi lisse que possible (l'utilisation de conduits de type Spiro n'est pas recommandée).
- Utiliser le conduit de cheminée avec aussi peu de coudes que possible (les angles de flexion ne doivent pas dépasser 90°).
- Il n'est pas conseillé de modifier le diamètre des sections du conduit de fumée (de la section supérieure à la section inférieure, par exemple passage d'un diamètre de 150 mm à 120 mm).

En mode absorbeur : les vapeurs sont nettoyées de la graisse et des odeurs, avant d'être renvoyées dans la pièce par les grilles dans la partie supérieure du corps de la cheminée. Pour faire fonctionner la hotte en mode absorbeur, installez le filtre à charbon.


(Fig. 10). Le filtre à charbon n'est pas inclus dans l'équipement standard et doit être acheté séparément.

3.2 Commandes de la hotte

La hotte est équipée d'un système de commande mécanique.

- Bouton « 0 » - ventilateur de la hotte éteint
- Bouton « 1 » - ventilateur de la hotte allumé à la vitesse minimale
- Bouton « 2 » - ventilateur de la hotte allumé à la vitesse moyenne
- Bouton « 3 » - ventilateur de la hotte allumé à la vitesse maximale

Plus la vitesse est élevée, plus la circulation d'air est importante.

- Le bouton  allume la lumière. Pour éteindre la lumière, appuyez à nouveau sur le bouton.

4 Installation

4.1 Installation de la hotte



L'utilisation de vis et d'éléments de fixation non spécifiés dans le manuel d'utilisation peut provoquer un choc électrique.

La distance minimale entre la cuisinière (à gaz ou cuisinière électrique) et la partie inférieure de la hotte (figure 3) doit être d'au moins 65 cm pour les cuisinières électriques et d'au moins 65 cm pour celles à gaz. Si le manuel d'utilisation de la cuisinière indique une distance la plus élevée pour l'installation de la hotte, cette exigence de distance plus élevée doit être respectée. L'installation de la hotte et du corps de cheminée est illustrée sur les figures (Fig. 4 - Fig. 9). La hotte est équipée de broches de fixation adaptées à la plupart des murs et des plafonds. Au cours du montage, respectez les règles communes relatives à l'évacuation de l'air de la pièce.

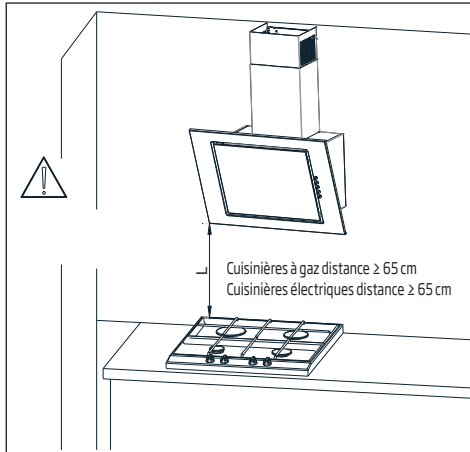


Fig. 3 Distances recommandées par rapport à la cuisinière

Avant de commencer l'installation :

- Vérifiez que les dimensions de l'appareil acheté correspondent bien au lieu d'installation prévu.
- Démontez et enlevez (si possible) tout meuble se trouvant dans la zone d'installation de la hotte, afin d'assurer un accès facile au plafond ou au mur, où la hotte doit être montée. Si ce n'est pas possible, protégez les éléments du mobilier qui se trouvent dans la zone adjacente.
- Vérifiez qu'il y a bien une prise près de la zone de montage et assurez-vous que la hotte peut être raccordée au canal de ventilation pour l'évacuation des vapeurs.
- Assurez-vous qu'il n'y a aucun câble (électriques, hydrauliques, etc.) dans la zone de perçage.
- Préparez les outils suivants : mètre à ruban, crayon, perceuse/visseuse électrique, perceuse de diamètre 8, tournevis, règle à niveau.

Procédure de montage :

1. Définissez l'axe de la cuisinière et indiquez-le sur le mur où la hotte sera installée. Notez tous les points de fixation de la hotte et percez les trous à l'aide de la perceuse. (Fig. 4)

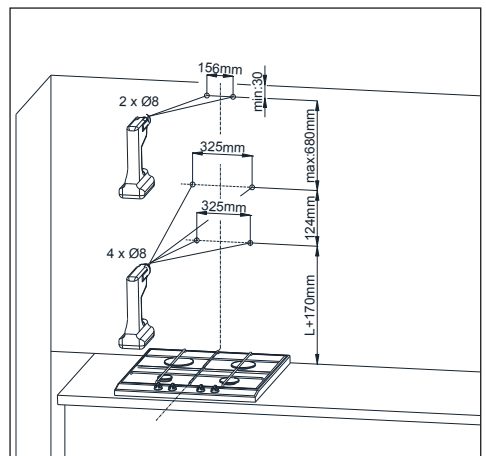


Fig.4 Dimensions de montage

4 Installation

2. Insérez les chevilles dans les trous. Dans deux ouvertures marquées de A, vissez également les vis (en laissant 7 mm de longueur de vis à l'extérieur de la cheville, Fig. 5).

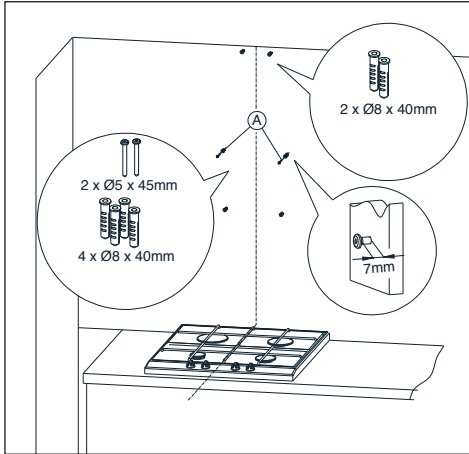


Fig. 5 Montage des chevilles

3. Vissez l'élément de fixation du corps de cheminée, suspendez la hotte sur les deux vis non serrées (Fig. 6).

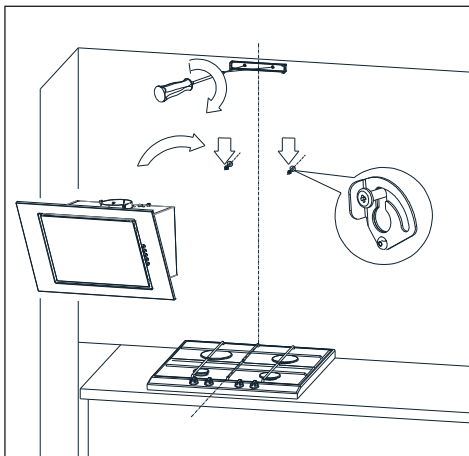


Fig. 6 Suspension de la hotte

4. Ouvrez le couvercle de la hotte et retirez le filtre à graisse (Fig. 7).

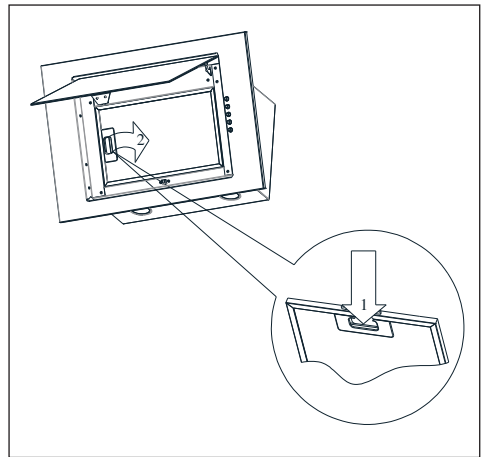


Fig. 7 Enlèvement du filtre à graisse en aluminium

5. Placez le niveau sur le corps de la hotte. En tournant l'élément marqué A, réglez le niveau de la hotte conformément aux indications du niveau, puis serrez partiellement deux vis préalablement vissées et vissez les deux autres vis (Fig. 8).

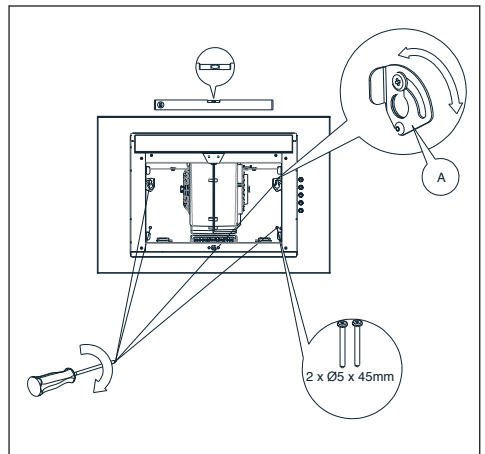


Fig. 8 Placement de la hotte

4 Installation

Placez le corps de la cheminée sur le corps de la hotte. Ensuite, déplacez délicatement la partie de la hotte marquée B vers le haut, jusqu'à ce qu'il soit possible de la visser sur l'élément de fixation préalablement fixé au mur (Fig. 9).

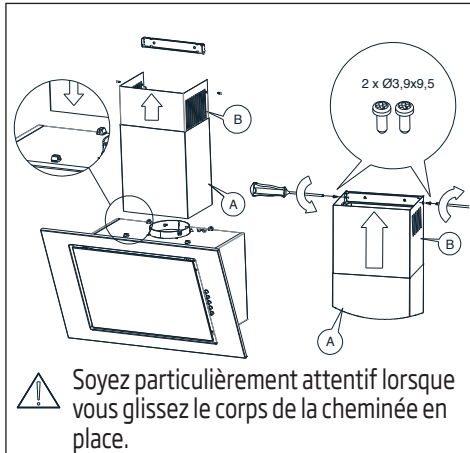


Fig. 9 Montage du corps de cheminée



Cette opération de montage doit être effectuée avec le plus grand soin, afin d'éviter de rayer le corps de la cheminée et la hotte elle-même.

4.2 Raccordement électriques

La tension du réseau doit correspondre à la tension indiquée sur la plaque placée à l'intérieur de la hotte. Si la hotte est équipée d'une fiche, insérez-la dans la prise répondant aux exigences applicables et située dans un endroit facilement accessible. Si la hotte n'est pas équipée d'une fiche, l'installation de la hotte doit être effectuée par une personne ayant les autorisations requises (comme un électricien).

5 Nettoyage et entretien

5.1 Nettoyage

- Il est important de nettoyer votre hotte immédiatement après toute friture.
- Utilisez un chiffon doux imbibé de détergent liquide pour nettoyer la surface extérieure de votre hotte.
- N'utilisez jamais de produits abrasifs ou rugueux pour effectuer le nettoyage de votre appareil.
- Vous pouvez utiliser les produits de nettoyage disponibles sur le marché pour éliminer les graisses les plus tenaces, et autres en suivant les consignes sur le produit. Afin de ne pas érafler le corps en acier brossé, essuyez-le dans le sens de la trace de la brosse.
- N'utilisez pas de produits contenant de l'acide chlorhydrique, de l'eau de javel ou de poudres abrasives, afin de ne pas abîmer la surface de votre appareil. Utilisez un chiffon imbibé d'eau savonneuse ou un pulvérisateur de nettoyage spécial pour acier inoxydable pour de telles surfaces. Retirez le film protecteur de l'appareil.



Mise en garde! Vous risquez de provoquer un incendie si vous ne suivez pas les instructions relatives au nettoyage et au remplacement des filtres de votre hotte.

5.2 Filtre à graisse

La hotte est équipée d'un filtre en aluminium qui arrête les particules de graisse émises lors de la cuisson. Pour retirer le filtre, déplacez les portes-filtres dans le sens des flèches (Fig. 7). Le filtre doit être nettoyé manuellement par immersion dans l'eau avec un liquide vaisselle pendant environ 15 minutes, à une température égale à 40-50 °C. Après 15 minutes, laver et rincer soigneusement le filtre. Assurez-vous que le filtre est bien sec avant de l'installer dans la hotte. Il est également possible de laver le filtre dans le lave-vaisselle. Au cours du lavage, la couleur du filtre peut changer, ce qui n'influence pas ses

caractéristiques de filtration. Le fait de ne pas nettoyer régulièrement le filtre réduit les performances de la hotte et peut causer un incendie. Nettoyez le filtre au minimum après 35 heures de fonctionnement.

5.3 Filtre à charbon

La hotte peut être équipée d'un filtre à charbon. Le filtre à charbon est utilisé lorsque la hotte n'est pas raccordée uniquement au conduit de ventilation. Le filtre doit être installé sur le corps du ventilateur, comme indiqué sur le dessin (Fig. 10). Le filtre à charbon doit être remplacé tous les 6 mois.



Ne pas laver ou régénérer le filtre à charbon.

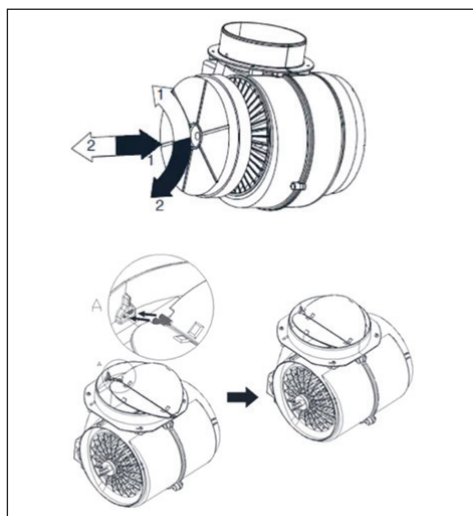


Fig. 10 Remplacement du filtre à charbon

5 Nettoyage et entretien

5.4 Remplacement de l'ampoule

Avant de commencer les étapes de remplacement de l'ampoule, coupez l'alimentation électrique. Si la hotte était déjà en marche, attendez que l'ampoule refroidisse avant de la remplacer. Le remplacement de l'ampoule est illustré à la Fig. 11.



- Avant de remplacer les ampoules, éteignez la hotte.
- Ne touchez jamais les ampoules lorsqu'elles sont chaudes.
- Veillez à ne pas toucher l'ampoule installée avec les mains.

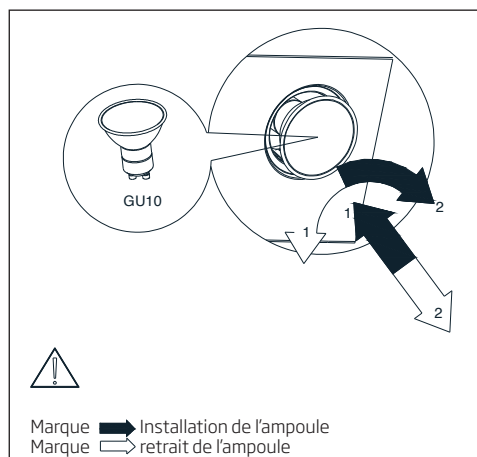


Fig. 11 Remplacement des ampoules

5.5 Comment réduire l'impact de la cuisson sur l'environnement

- Afin de réduire la consommation d'énergie, faites cuire les aliments avec un couvercle.
- Les filtres en aluminium de la hotte doivent être maintenus propres (il est recommandé de les nettoyer toutes les 35 heures de fonctionnement).
- Les conduits de ventilation ne doivent pas être obstrués.
- La vitesse de fonctionnement du ventilateur pendant la cuisson doit toujours être réglée à un niveau minimum permettant d'extraire les vapeurs en fonction de l'intensité de cuisson réelle.

Si vous souhaitez transporter l'appareil :

- Conservez l'emballage d'origine de l'appareil. Transportez l'appareil dans son emballage d'origine et suivez les indications de transport sur l'emballage d'origine.

Si vous ne disposez pas de l'emballage d'origine :

- Ne posez aucun objet sur la hotte.
- Protégez la surface extérieure contre les chocs.
- Emballez l'appareil de sorte qu'il ne soit pas endommagé pendant le transport.

6 Dépannage

Symptômes	Cause	Méthodes de réparation
Lors du fonctionnement de la hotte, la lettre « F » clignote à l'écran.	Au bout de 35 heures de fonctionnement, la hotte indique le besoin de nettoyer ou de remplacer le filtre à graisse.	Appuyez et maintenez la touche « - » de la commande tactile enfoncée pendant environ 8 secondes. Lavez le filtre au lave-vaisselle ou remplacez-le par un nouveau.
L'écran affiche uniquement le symbole « - ». (Signe moins et le point dans le coin inférieur droit), la hotte ne réagit pas à la désactivation.	La commande tactile a été verrouillée - cette fonction facilite le nettoyage de la hotte.	Pour désactiver le verrouillage, appuyez et maintenez enfoncé pendant environ 10 secondes le champ avec le symbole de mise en marche.
Aucun symbole ne s'affiche à l'écran, la hotte ne réagit pas à la pression des champs de commande.	La commande tactile est probablement désactivée.	Débranchez la hotte pendant environ 15 secondes puis rebranchez-la.
L'écran affiche le symbole de l'une des vitesses ; la hotte ne réagit pas à la pression des champs de commande.	La commande tactile est probablement désactivée	Débranchez la hotte pendant environ 15 secondes puis rebranchez-la.
La turbine de la hotte se déconnecte après 15 minutes de fonctionnement, l'écran affiche un chiffre clignotant, qui est « 1 ». (Numéro de vitesse actuelle et point dans le coin inférieur droit).	La minuterie automatique de la commande tactile a été activée.	Pour désactiver la minuterie, appuyez et maintenez enfoncé pendant environ 10 secondes le symbole « + » ou éteignez la hotte.
Sur la quatrième vitesse, le chiffre « 4 » clignote à l'écran et au bout de 5 minutes, la hotte passe à la troisième vitesse.	La hotte est équipée d'un mode turbo, qui passe automatiquement en troisième vitesse après 5 minutes de fonctionnement pour une économie d'énergie effective.	Activez la vitesse turbo uniquement lors d'une cuisson intense.
La hotte ne peut fonctionner qu'à l'aide du panneau de commande, elle ne répond pas à la télécommande.	Les piles de la télécommande sont usées ou la distance est trop longue.	Remplacez les piles par des nouvelles.
La hotte effectue une très mauvaise aspiration de vapeur.	Les filtres sales sont la cause probable.	Le filtre à graisse doit être lavé au lave-vaisselle ou remplacé par un nouveau. Le filtre à charbon (si présent) doit être remplacé par un nouveau.
Un ou plusieurs points lumineux ne fonctionnent pas.	Ampoule halogène / LED défectueuse.	L'ampoule doit être remplacée par une nouvelle, compatible avec le symbole spécifié dans le mode d'emploi de la hotte.
La hotte a produit des bruits et des vibrations excessifs.	Cela peut être dû à une installation incorrecte de la haute sur le mur ou les armoires de cuisine. Toutes les vis fournies n'ont pas été utilisées ou les vis sont peu ajustées et laissent des espaces.	La hotte doit être montée sur un mur ou une armoire à l'aide de tous les points prévus par le fabricant. Après avoir ajusté la position de la hotte horizontalement et verticalement, serrez toutes les vis de montage.

* cette consigne s'applique aux hottes disposant de commande tactile.

Si les recommandations ci-dessus ne résolvent pas le problème, contactez un service agréé d'appareils ménagers pour toute réparation. L'utilisateur de la hotte ne doit en aucun cas réparer sa hotte de lui-même. Une liste des points de service est incluse dans la carte de garantie et disponible sur le site.

Bitte lesen Sie zuerst diese Bedienungsanleitung durch!

Sehr geehrte Kundin, sehr geehrter Kunde,

Danke, dass Sie sich für ein Produkt der Marke Beko entschieden haben. Wir hoffen, dass Sie mit diesem Gerät, das mit den höchsten Qualitätsanforderungen und modernster Technologie hergestellt wurde, beste Ergebnisse erzielen werden. Bitte lesen Sie die gesamte Bedienungsanleitung und alle anderen Begleitdokumente aufmerksam durch, bevor Sie das Gerät verwenden; bewahren Sie diese zum künftigen Nachschlagen sicher auf. Wenn Sie das Gerät an einen Dritten weitergeben, händigen Sie diesem bitte auch die Bedienungsanleitung aus. Befolgen Sie alle Warnhinweise und Informationen in dieser Anleitung.

Bitte denken Sie daran, dass diese Anleitung auch für einige andere Modelle erstellt wurde. Unterschiede zwischen den Modellen werden in der Anleitung klar und deutlich beschrieben.

Bedeutung der Symbole

Folgende Symbole werden in den verschiedenen Abschnitten dieser Anleitung verwendet:



Wichtige Informationen und nützliche Hinweise zur Verwendung.



WARNUNG: Warnhinweise zu gefährlichen Situationen im Hinblick auf die Sicherheit von Leib, Leben und Eigentum.



Warnung vor Brandgefahr.



Warnung vor Stromschlägen.



Dieses Gerät wurde in umweltfreundlichen und modernen Einrichtungen ohne schädliche Auswirkungen auf die Natur hergestellt.

Dieses Gerät erfüllt die WEEE-Richtlinie.



Es enthält kein PCB.

1.1 Allgemeine Sicherheit

Wichtige Sicherheitsanweisungen sorgfältig lesen und zum künftigen Nachschlagen aufbewahren

Dieser Abschnitt enthält Sicherheitsanweisungen, die beim Schutz vor Personen- und Sachschäden, Bränden, Stromschlägen und dem Austreten von Mikrowellenenergie helfen. Bei Nichtbeachtung dieser Anweisungen erlischt die Gewährleistung.

- Beko-Produkte stimmen mit geltenden Sicherheitsstandards überein; daher sollten Gerät oder Netzkabel zur Vermeidung von Gefahren im Falle von Schäden durch den Händler, ein Kundencenter oder einen spezialisierten, autorisierten Serviceanbieter repariert oder ersetzt werden. Fehlerhafte oder unqualifizierte Reparaturen können Gefahren und Risiken für den Benutzer verursachen.
- Dieses Gerät ist für den Einsatz in Haushalten und ähnlichen Bereichen vorgesehen, wie:
 - In Betriebsküchen, Läden, Büros und anderen Arbeitsumgebungen;
 - Bauernhöfen;
 - Von Gästen in Hotels und anderen Wohnumgebungen;
 - Pensionen und Jugendherbergen.
- Das Gerät darf nur für seinen in dieser Anleitung beschriebenen vorgesehenen Zweck verwendet werden.
- Der Hersteller haftet nicht für Schäden, die auf unsachgemäße Installation oder fehlerhaften Gebrauch zurückzuführen sind.
- Das Gerät darf nur dann von Kindern ab 8 Jahren und Personen mit körperlichen oder geistigen Einschränkungen genutzt werden, wenn diese beaufsichtigt werden oder gründlich über den richtigen und sicheren Umgang mit dem Gerät aufgeklärt wurden und sich sämtlicher möglicher Gefahren bewusst sind.
- Kinder dürfen nicht mit dem Gerät spielen. Reinigungs- und Wartungsarbeiten dürfen nicht unbeaufsichtigt von Kindern ausgeführt werden.
- Der Abstand zwischen der Stützfläche für Kochgeschirr auf dem Kochfeld und dem niedrigsten Teil der Abzugshaube muss mindestens 65 cm betragen.

- Falls die Anweisungen zur Installation eines Gasherdes einen größeren Abstand angeben, ist dieser einzuhalten.
 - Stellen Sie sicher, dass Ihre Stromversorgung mit den Angaben am Typenschild des Gerätes übereinstimmt.
 - Benutzen Sie das Gerät niemals, wenn das Netzkabel oder das Gerät selbst beschädigt ist.
 - Vermeiden Sie Schäden am Netzkabel, indem Sie es nicht quetschen, knicken oder über scharfe Kanten ziehen. Halten Sie das Netzkabel von heißen Oberflächen und offener Flamme fern.
 - Verwenden Sie das Gerät nur mit einer geerdeten Steckdose.
- WARNUNG:** Schließen Sie das Gerät erst nach vollständig abgeschlossener Installation an das Stromnetz an.
- Stellen Sie das Gerät so auf, dass der Netzstecker immer zugänglich ist.
 - Berühren Sie die Lampen nicht, falls sie lange Zeit in Betrieb waren. Sie könnten sich die Finger verbrennen, da die Lampen heiß werden.
 - Befolgen Sie die von zuständigen Behörden festgelegten Richtlinien zum Abführen von Abluft (diese Warnung ist bei Einsatz ohne Abzug nicht zutreffend).
 - Nehmen Sie Ihr Gerät erst in Betrieb, nachdem Sie ein Kochgeschirr auf das Kochfeld gestellt haben. Andernfalls könnte hohe Hitze zur Verformung von Teilen Ihres Geräts führen.
 - Schalten Sie die Kochfelder ab, bevor Sie das Kochgeschirr herunternehmen.
 - Lassen Sie kein heißes Öl auf das Kochfeld gelangen. Kochgeschirr mit heißem Öl kann sich selbst entzünden.
 - Achten Sie auf Vorhänge und Abdeckungen, da Öl beim Zubereiten von Lebensmitteln, wie Pommes frites, Feuer fangen kann.
 - Der Fettfilter muss mindestens einmal im Monat ersetzt werden. Der Kohlefilter muss mindestens alle 3 Monate ersetzt werden.
 - Das Produkt muss entsprechend der Bedienungsanleitung gereinigt werden. Falls die Reinigung nicht entsprechend der Bedienungsanleitung durchgeführt wird, besteht Brandgefahr.
 - Verwenden Sie kein nicht feuer-

Wichtige Sicherheits- und Umwelanweisungen

beständiges Filtermaterial anstelle des aktuellen Filters.

- Verwenden Sie nur Originalteile und vom Hersteller empfohlene Teile.
- Verwenden Sie das Gerät nicht ohne Filter. Entfernen Sie die Filter nicht, während das Gerät läuft.
- Sollte sich etwas entzünden, unterbrechen Sie als erstes sofort die Energieversorgung.
- Ersticken Sie ein Feuer mit einer geeigneten Decke oder ähnlich, verwenden Sie zum Löschen niemals Wasser.
- Trennen Sie das Gerät vor jeder Reinigung und bei Nichtbenutzung von der Stromversorgung.
- Der Unterdruck in der Umgebung darf 4 Pa (4 x 10 bar) nicht überschreiten, während die Dunstabzugshaube für das elektrische Kochfeld und Geräte mit einer anderen Energiequelle als Strom gleichzeitig laufen.
- Falls sich ein mit Heizöl oder Brenngasen betriebenes Gerät, z. B. Heizungen, in der Nähe der Dunstabzugshaube befindet, muss die Abluft dieses Gerätes vollständig getrennt abgeführt werden oder es muss hermetisch sein.

- Verwenden Sie zum Anschluss des Abzugs Rohre mit einem Durchmesser von 120 oder 150 mm. Der Rohranschluss muss möglichst kurz sein und sollte möglichst wenige Biegungen aufweisen.

Verschluckungsgefahr! Halten Sie alle Verpackungsmaterialien von Kindern fern.

ACHTUNG: Zugängliche Teile können bei Verwendung mit Kochgeräten heiß werden.

- Der Auslass des Produktes darf nicht an Luftkanäle angeschlossen werden, die auch andere Abluft abführen.
- Die Belüftung im Raum reicht möglicherweise nicht aus, wenn die Abzugshaube für das elektrische Kochfeld gemeinsam mit Geräten, die mit Gas oder anderen Kraftstoffen laufen, betrieben wird (dies trifft möglicherweise nicht auf Geräte zu, die Luft zurück in den Raum abgeben).
- Auf dem Produkt platzierte Gegenstände könnten herunterfallen. Stellen Sie keine Gegenstände auf das Produkt.
- Flambieren Sie nicht unter dem Gerät.

WARNUNG: Entfernen Sie vor In-

stallation der Dunstabzugshaube die Schutzfolien.

- Achten Sie darauf, dass niemals hohe offene Flammen unter der Dunstabzugshaube entstehen, wenn diese in Betrieb ist.
- Fritteusen müssen während der Benutzung kontinuierlich überwacht werden; überhitztes Öl kann Feuer fangen.

1.2 Konformität mit der WEEE-Richtlinie und Entsorgung von Altgeräten

Dieses Gerät erfüllt die europäische WEEE-Richtlinie (2012/19/EU). Dieses Produkt trägt ein Klassifizierungssymbol für elektrische und elektronische Altgeräte (WEEE).



Dieses Symbol weist darauf hin, dass dieses Gerät am Ende seiner Lebensdauer nicht zusammen mit anderen Haushaltsabfällen entsorgt werden darf. Altgeräte müssen an eine offizielle Sammelstelle zum Recycling von elektrischen und elektronischen Geräten übergeben werden. Nähere Angaben zu diesen Sammelstellen erhalten Sie von Ihrer Stadtverwaltung oder dem Händler, bei dem Sie

das Gerät erworben haben. Jeder Haushalt spielt eine wichtige Rolle bei der Wiederverwertung und dem Recycling von Altgeräten.

Die sachgemäße Entsorgung von Altgeräten trägt dazu bei, mögliche negative Auswirkungen auf die Umwelt und die menschliche Gesundheit zu vermeiden.

1.3 Konformität mit der RoHS-Richtlinie

Das von Ihnen erworbene Gerät erfüllt die europäische RoHS-Richtlinie (2011/65/EU). Es enthält keine in der Richtlinie angegebenen gefährlichen und verbotenen Materialien.

1.4 Hinweise zur Verpackung



Die Verpackungsmaterialien des Produktes sind aus recyclingfähigen Materialien entsprechend unseren nationalen Umweltschutzbestimmungen hergestellt. Entsorgen Sie die Verpackungsmaterialien nicht mit dem Hausmüll oder anderem Müll. Bringen Sie sie zu einer von der Stadtverwaltung bereitgestellten Sammelstelle für Verpackungsmaterial.

2 Technische Daten

Die in diesem Handbuch befindlichen und auf den Etiketten der Dunstabzugshaube angebrachten technischen Daten wurden in Erfüllung der EU-Verordnungen 65/2014 und 66/2014 erhoben und berechnet.

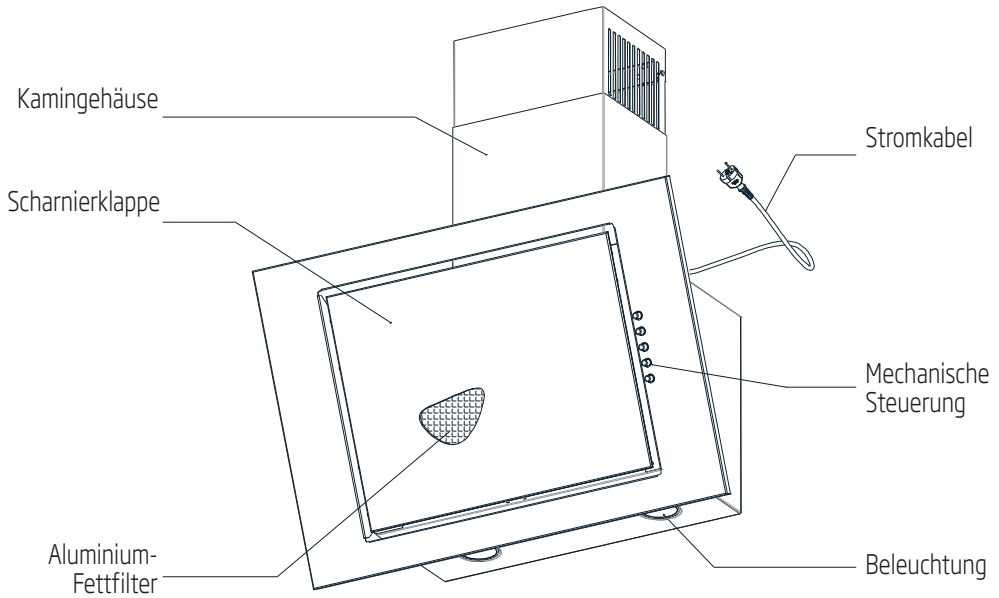


Abb. 1 Gesamtansicht der Dunstabzugshaube

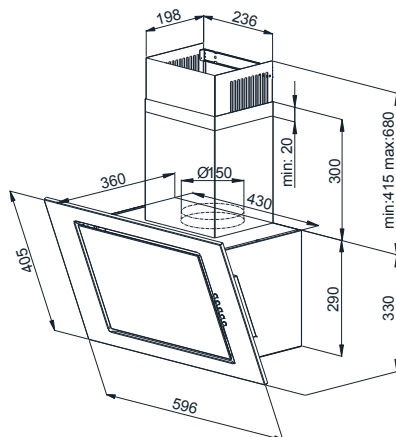


Abb. 2 Maßzeichnung

3 Betrieb

3.1 Betrieb der Haube

Die Haube ist zum Absaugen von Dämpfen vorgesehen, die während des Kochens von Mahlzeiten entstehen. Das Gerät kann auf zwei verschiedenen Arten funktionieren:

Als Absaughaube: Die Dämpfe werden über das Absaugrohr aus dem Raum abgeführt. Das Auslassrohr wird nicht mit dem Gerät geliefert und muss separat erworben werden.



- Es ist ein möglichst kurzer Auslasskanal für die Dämpfe zu verwenden.
- Verwenden Sie nur Auslassrohre mit einer möglichst glatten Innenfläche (die Verwendung von Spiro-Rohren wird nicht empfohlen).
- Die Auslassleitung sollte möglichst wenig Biegungen aufweisen (die Biegewinkel dürfen 90 ° nicht überschreiten).
- Von Änderungen in den Rauchkanalabschnitten wird abgeraten (insbesondere keine Verjüngungen, z.B. ein Wechsel von 150 auf 120 mm Ø).

Als Absorber: Die Dämpfe werden zunächst von Fett und Gerüchen gereinigt, bevor sie anschließend durch die Gitter im oberen Teil des Kamingehäuses wieder in den Raum zurückgeführt werden. Für den Betrieb der Haube als Absorber muss ein Kohlefilter installiert werden.

(Abb. 10). Der Kohlefilter ist nicht in der Standardausrüstung enthalten und muss separat erworben werden.

3.2 Bedienung der Haube

Die Dunstabzugshaube wird mechanisch bedient.

- Taste "0" - Haubenventilator ausgeschaltet
- Taste "1" - Haubenventilator eingeschaltet, minimale Drehzahl
- Taste "2" - Haubenventilator eingeschaltet, mittlere Drehzahl
- Taste "3" - Haubenventilator eingeschaltet, maximale Drehzahl

Eine höhere Drehzahl bedeutet eine höhere Luftzirkulation.

- Die Taste  schaltet das Licht ein. Zum Ausschalten des Lichts drücken Sie die Taste noch einmal.

4 Installation

4.1 Installation der Dunstabzugshaube



Die Verwendung von Schrauben und Befestigungselementen, die nicht in der Bedienungsanleitung aufgeführt sind, kann zu Stromschlägen führen.

Der Mindestabstand zwischen der Oberfläche zum Aufsetzen des Geschirrs auf dem Kochbereich (Gas, Elektroherd) und dem untersten Teil der Haube (Abb. 3) muss bei Elektroherden mindestens 65 cm und bei Gasherden mindestens 65 cm betragen. Wird in der Betriebsanleitung des Kochfeldes ein höherer Abstand für die Montage der Haube angegeben, so ist dieser höhere Abstand einzuhalten. Die Installation der Haube und des Kamingehäuses ist in den Abbildungen dargestellt (Abb. 4 - Abb. 9). Die Haube ist mit Befestigungsbolzen ausgestattet, die für die meisten Wände und Decken geeignet sind. Beachten Sie bei der Montage die üblichen Regeln für die Abluftableitung aus dem Gebäude.

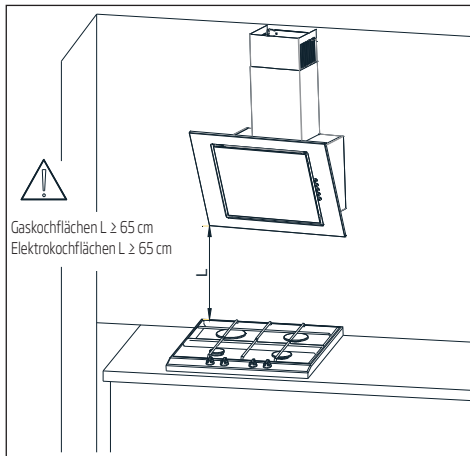


Abb. 3 Empfohlene Abstände zum Kochbereich

Vor Beginn der Installation:

- Überprüfen Sie, ob die Abmessungen des erworbenen Geräts zum geplanten Einbauort passen.
- Demontieren und entfernen Sie (wenn möglich) alle Möbel, die sich im Montagebereich der Haube befinden, um einen leichten Zugang zur Decke oder zur Wand zu ermöglichen, an der die Haube montiert werden soll. Ist dies nicht möglich, schützen Sie die im angrenzenden Bereich verbleibenden Möbelteile.
- Prüfen Sie, ob sich in der Nähe des Montagebereichs eine Steckdose befindet, sowie, ob die Haube mit dem Lüftungskanal zur Dampfableitung verbunden werden kann.
- Stellen Sie sicher, dass sich keine (elektrischen, hydraulischen, u.s.w.) Kabel an den Stellen befinden, an denen die Bohrarbeiten durchgeführt werden sollen.
- Bereiten Sie folgende Werkzeuge vor: Maßband, Bleistift, Bohrmaschine/ Elektroschrauber, Bohrer \varnothing 8 mm, Schraubendreher, Wasserwaage.

Montage:

1. Legen Sie die Achse des Kochfeldes fest und projizieren Sie diese anschließend an die Wand, an der die Haube montiert werden soll. Markieren Sie alle notwendigen Punkte zur Befestigung der Haube. Bohren Sie anschließend die Löcher. (Abb. 4)

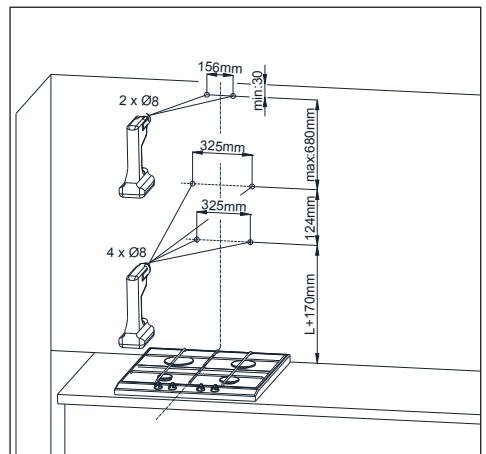


Abb. 4 Montageabmessungen

4 Installation

2. Setzen Sie die Dübel in die Bohrungen ein. Schrauben Sie in die zwei mit A markierten Bohrungen auch die Schrauben ein (7 mm Schraubenlänge müssen aus der Wand herausstehen, Abb. 5).

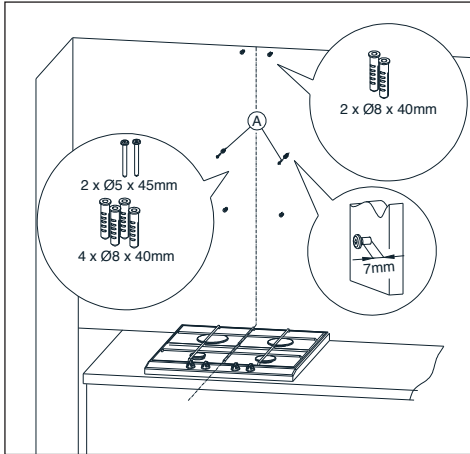


Abb. 5 Verschraubung

3. Schrauben Sie das Befestigungselement des Kaminkörpers fest und hängen Sie die Haube an den zwei herausragenden Schrauben auf (Abb. 6).

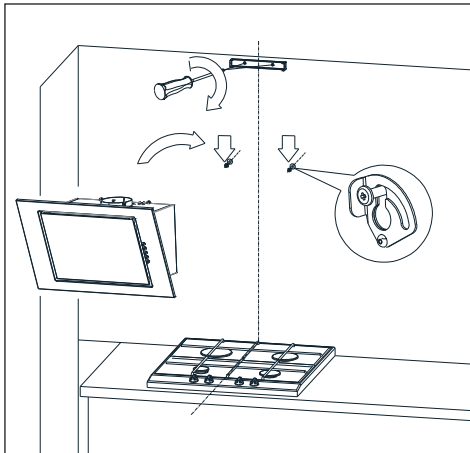


Fig. 6 Aufhängen der Haube

4. Öffnen Sie die Haubenklappe und entfernen Sie den Fettfilter (Abb. 7).

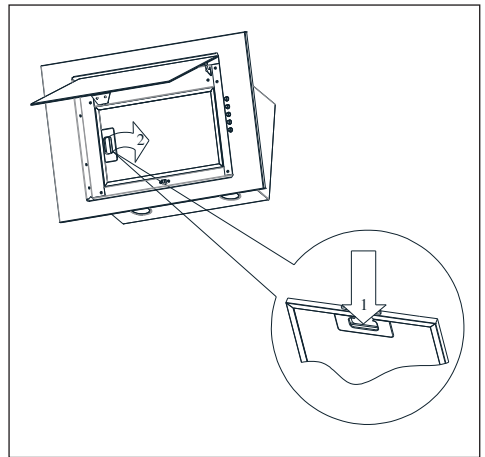


Abb. 7 Entfernen des Aluminiumfilters

5. Legen Sie die Wasserwaage auf das Haubengehäuse auf. Positionieren Sie die Haube - mit der Zuhilfenahme einer Wasserwaage - waagrecht, indem Sie dafür das mit A gekennzeichnete Element drehen. Ziehen Sie dann die zwei zuvor teilweise eingeschraubten Schrauben an und schrauben Sie dann die zwei verbleibenden Schrauben ein (Abb. 8).

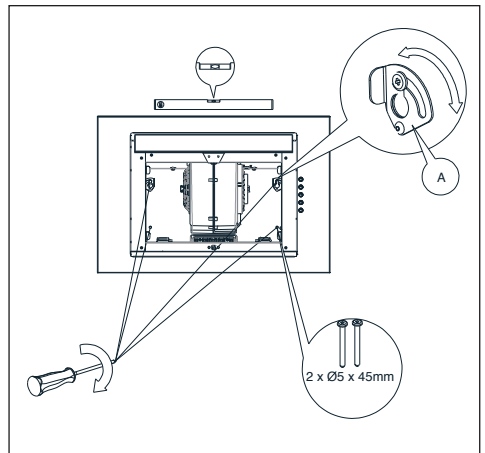


Abb. 8 Positionierung der Haube

4 Installation

Setzen Sie das Kamingehäuse auf das Haubengehäuse auf. Ziehen Sie dann das mit B gekennzeichnete Teil der Haube vorsichtig nach oben, bis es mit dem zuvor an der Wand befestigten Befestigungselement verschraubt werden kann (Abb. 9).

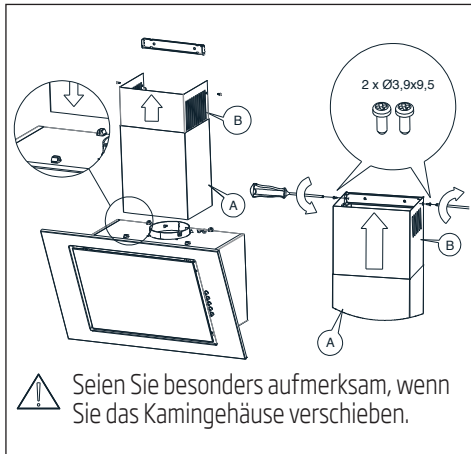


Abb. 9 Montage des Kamingehäuses



Dieser Montagevorgang sollte mit äußerster Sorgfalt durchgeführt werden, um ein Verkratzen des Kamin- und Haubengehäuses zu vermeiden.


4.2 Elektrischer Anschluss

Die Netzspannung muss der Spannung entsprechen, die auf dem Schild im Inneren der Haube angegeben ist. Wird die Haube mit einem Stecker geliefert, stecken Sie diesen in eine stets leicht zugängliche Steckdose, die den Anforderungen entspricht. Wird die Haube ohne Stecker geliefert, muss ihre Installation von einer fachmännischen Person durchgeführt werden, der die dafür erforderlichen Berechtigungen (z.B. Elektriker) besitzt.

5 Reinigung und Pflege

5.1 Reinigung

- Vergessen Sie insbesondere nicht, die Dunstabzugshaube unverzüglich nach dem Braten zu reinigen.
- Reinigen Sie die Außenseite der Dunstabzugshaube mit einem Tuch, die mit einem flüssigem Reinigungsmittel angefeuchtet wurde.
- Verwenden Sie zur Reinigung keinesfalls scheuernde oder kratzende Reiniger.
- Beachten Sie bei der Reinigung mit handelsüblichen Mitteln gegen hartnäckiges Fett etc. die Warnhinweise am Produkt. Wischen Sie in Richtung der Bürstenspuren, um Kratzer an Gehäusen aus gebürstetem Stahl zu vermeiden.
- Verwenden Sie zur Wahrung der Oberflächenqualität Ihres Produktes keine Reinigungsmittel, die Chlorwasserstoffsäure, Bleichmittel oder Scheuerpulver enthalten. Verwenden Sie für Edelstahloberflächen ein mit Seifenwasser oder speziellem Edelstahl-Reinigungsspray angefeuchtetes Tuch. Entfernen Sie die Schutzfolie vom Gerät.

 **Achtung!** Wenn Sie die Anweisungen zur Reinigung und zum Auswechseln der Filter Ihrer Dunstabzugshaube nicht einhalten, können Brände entstehen.

5.2 Fettfilter

Die Haube ist mit einem Aluminiumfilter ausgestattet, der die beim Kochen entstehenden Fettpartikel zurückhält. Um den Filter zu entfernen, bewegen Sie die Klammern in Pfeilrichtung (Abb.7). Der Filter sollte von Hand - und zwar durch Eintauchen ins Wasser mit Spülmittel für ca. 15 Minuten bei einer Temperatur von 40 - 50°C - gereinigt werden. Waschen und spülen Sie den Filter nach 15 Minuten gründlich. Vor dem Wiedereinsetzen muss der Filter vollständig trocken sein. Der Filter kann auch in der Geschirrspülmaschine gereinigt werden. Durch das Waschen kann sich die Filterfarbe ändern, was die Filtereigenschaften nicht beeinflusst.

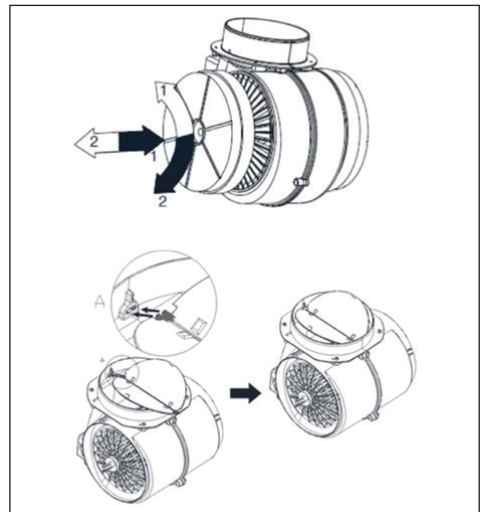
Wenn der Filter nicht regelmäßig gereinigt wird, führt dies zu einer Beeinträchtigung der Leistung der Haube und schließlich zu einem Brand. Der Filter sollte daher zumindest nach je 35 Stunden Betriebszeit gereinigt werden.

5.3 Kohlefilter

Die Haube kann mit einem Kohlenfilter ausgestattet werden. Der Kohlefilter wird nur verwendet, wenn die Haube nicht an einen Lüftungskanal angeschlossen ist. Der Filter wird, wie in der Zeichnung (Abb. 10) dargestellt, am Gebläsegehäuse montiert. Der Kohlefilter ist alle 6 Monate auszutauschen.



Der Kohlefilter kann nicht gewaschen oder regeneriert werden.



Ann. 10 Austausch des Kohlefilters

5 Reinigung und Pflege

5.4 Austausch der Leuchtmittel

Bevor Sie mit den Arbeiten zum Austausch der Beleuchtung beginnen, schalten Sie die Stromversorgung aus. Wenn die Haube zuvor eingeschaltet war, warten Sie, bis die Lamellen abgekühlt sind und starten Sie erst dann den Austausch. Der Lampenwechsel ist in Abb. 11 dargestellt.



- Schalten Sie vor dem Austausch der Lampen die Haube aus.
- Berühren Sie die Lampen nicht, solange sie noch heiß sind.
- Achten Sie darauf, die zu installierende Lampe nicht mit den Händen zu berühren.

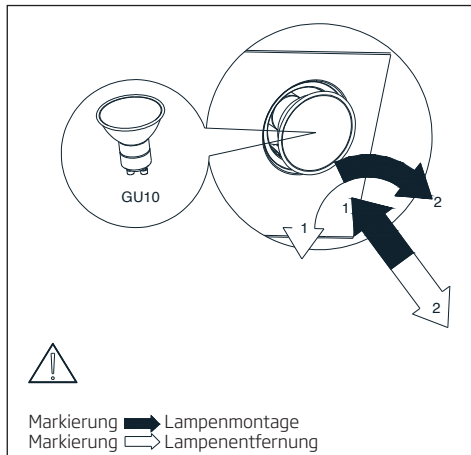


Abb. 11 Lampenwechsel

5.5 Minimierung der Auswirkungen des Kochens auf die Umwelt

- Um den Energieverbrauch zu reduzieren, kochen Sie im Kochgeschirr mit einem Deckel.
- Der Aluminiumfilter der Haube sollte immer sauber gehalten werden (die empfohlene Einsatzzeit des Aluminiumfilters zwischen Reinigungen ist max. 35 Betriebsstunden).
- Die Lüftungskanäle dürfen nicht blockiert werden.
- Die Gebläsedrehzahl während des Garens sollte immer auf ein Minimum eingestellt sein, das ausreicht, um die Dämpfe unter Berücksichtigung der tatsächlichen Kochintensität abzuführen.

Falls das Gerät transportiert werden muss:

- Bewahren Sie die Originalverpackung des Gerätes auf. Transportieren Sie das Gerät mit der Originalverpackung und befolgen Sie die Transportmarkierungen an der Verpackung.

Falls die Originalverpackung nicht mehr vorhanden ist:

- Platzieren Sie keine Gegenstände auf der Dunstabzugshaube.
- Schützen Sie die Außenseite vor Stoßeinwirkungen.
- Verpacken Sie das Gerät so, dass es während des Transports nicht beschädigt wird.

6 Fehlerbehebung

Symptome	Ursache	Lösung
Bei Betrieb der Haube wird blinkend der Buchstabe „F“ angezeigt.	Nach 35 Betriebsstunden zeigt das Gerät an, dass der Fettfilter gereinigt oder ausgetauscht werden muss.	Halten Sie 8 Sekunden lang die Taste „-“ an der Sensorsteuerung gedrückt. Reinigen Sie den Filter in der Spülmaschine oder setzen Sie einen neuen Filter ein.
Das Display zeigt nur die Anzeige „-“ (Minuszeichen und Punkt unten rechts) und die Haube reagiert nicht auf Ausschaltversuche.	Die Sensorsteuerung wurde blockiert, um die Reinigung des Filters zu erzwingen.	Geben Sie die Blockierung wieder frei, indem Sie 10 Sekunden lang das Feld mit dem Einschaltsymbol gedrückt halten.
Auf dem Display erscheint kein Symbol und die Haube reagiert auf keine Betätigung der Sensorsteuerung.	Die Sensorsteuerung ist wahrscheinlich blockiert.	Trennen Sie die Dunstabzugshaube 15 Sekunden lang von der Stromversorgung und schließen Sie diese wieder an.
Auf dem Display erscheint das Symbol von einem der Stufen, aber die Haube reagiert auf keine Betätigung der Sensorsteuerung.	Die Sensorsteuerung ist wahrscheinlich blockiert	Trennen Sie die Dunstabzugshaube 15 Sekunden lang von der Stromversorgung und schließen Sie diese wieder an.
Das Gebläse schaltet sich nach ca. 15 Minuten Betrieb ab und das Display zeigt eine blinkende Nummer an, z. B. „1.“ (aktuelle Gebläsestufe und ein Punkt in der rechten unteren Ecke).	Die automatische Zeitsteuerung der Sensorsteuerung wurde aktiviert.	Geben Sie die Zeitschaltung wieder frei, indem Sie 10 Sekunden lang auf das Symbol „+“ drücken oder die Haube deaktivieren.
In der vierten Stufe blinkt „4“ auf dem Display. Nach 5 Minuten wird das Gebläse automatisch auf die dritte Stufe heruntergeschaltet.	Die Dunstabzugshaube ist mit einem Turbomodus (Stufe 4) ausgestattet, der nach 5 Minuten zum Energiesparen automatisch auf Stufe drei zurückschaltet.	Die Turbostufe sollte nur bei intensiver Dunstentwicklung aktiviert werden.
Die Dunstabzugshaube reagiert nicht auf die Fernbedienung, jedoch wohl auf die Sensorsteuerung.	Die Batterie der Fernsteuerung ist leer oder der Bedienabstand ist zu groß.	Setzen Sie eine neue Batterie ein.
Die Absaugleistung der Dunstabzugshaube ist schlecht.	Wahrscheinlich ist der Filter voll.	Reinigen Sie den Filter in der Spülmaschine oder setzen Sie einen neuen Filter ein. Tauschen Sie den Kohlefilter (falls vorhanden) gegen einen neuen Kohlefilter aus.
Eine oder mehrere Lampen leuchten nicht.	Halogen- oder LED-Lampen sind defekt.	Tauschen Sie defekte Lampen immer nur gegen neue Lampen aus, die den technischen Daten im Handbuch der Dunstabzugshaube entsprechen.
Die Dunstabzugshaube macht Geräusche und vibriert.	Dies kann an einer schlechten Montage an der Wand oder an die Küchenschränke liegen. Nicht alle mitgelieferten Schrauben wurden verwendet oder sind nicht fest montiert.	Die Dunstabzugshaube muss an allen vom Hersteller vorgesehenen Befestigungspunkten solide an eine Wand oder einen Schrank montiert werden. Ziehen Sie nach sorgfältiger, vertikaler und horizontaler Ausrichtung der Haube alle Montageschrauben fest an.
* Gilt für Dunstabzugshauben mit Sensorsteuerung.		
Lässt sich das Problem mit diesen Empfehlungen nicht lösen, wenden Sie sich an einen zum Reparieren von Haushaltsgeräten autorisierten technischen Service. Der Nutzer der Dunstabzugshaube darf das Gerät unter keinen Umständen anderweitig reparieren. Eine Liste unserer Servicestellen finden Sie auf der Garantiekarte und auf unserer Webseite.		

Garantiebedingungen

Anschrift:

Beko Deutschland GmbH
Thomas-Edison-Platz 3
D-63263 Neu-Isenburg

Kundendienst-Tel.: 06102-86 86 891

Fax: 01805-414 400 *

E-Mail: Kundendienst@beko.com

Ersatzteile-Tel.: 01805-242 515 *

Fax: 01805-345 001*

E-Mail: ersatzteile@beko.com

Sehr geehrte Kundin, sehr geehrter Kunde,

wir gratulieren Ihnen zum neuen Gerät der Marke Beko und wünschen Ihnen viel Freude daran. Sollten Sie dennoch einmal einen Grund zu einer Reklamation erkennen, dann wenden Sie sich bitte an unseren Kundendienst. Geben Sie im Falle einer Störung Ihre genaue Anschrift, Telefonnummer und den GERÄTETYP (vom Typenschild des Gerätes) an.

Hinweis für Kühl- und Gefriergeräte, Achtung!

Um voll funktionsfähig zu sein, benötigt Ihr Gerät nach dem Transport ca. 24 Stunden, in denen sich das Kühlmittel stabilisiert. Sofern es nicht vermeidbar ist und Sie das Gerät sofort nach Aufstellung mit Gefriergut bestücken wollen, müssen Sie damit rechnen, dass die rote Lampe bis zur Stabilisierung des Kühlkreislaufs aufleuchtet. Die Kühlleistung beginnt jedoch vom Augenblick des Anschlusses an sich auf zu bauen.

Die Garantiezeit beträgt 24 Monate ab Kaufdatum.

Bedingungen:

Dieses Gerät wurde nach den modernsten Methoden hergestellt und geprüft. Der Hersteller leistet unabhängig von der gesetzlichen Gewährleistungsverpflichtung des Verkäufers / Händlers für die Dauer von 24 Monaten, gerechnet vom Tag des Kaufes, Garantie für einwandfreies Material und fehlerfreie Fertigung.

Der Garantieanspruch erlischt bei Eingriffen durch den Käufer oder durch Dritte, die vom Hersteller nicht für den Service autorisiert sind oder wenn das Gerät zu gewerblichen Zwecken eingesetzt wird. Schäden die durch unsachgemäße Behandlung oder Bedienung, durch falsches Aufstellen oder Aufbewahren, durch unsachgemäßen Anschluss, oder fehlerhafte Installationen sowie durch höhere Gewalt oder sonstige äußere Einflüsse entstehen, fallen nicht unter die Gewährleistung.

Abhilfemöglichkeiten:

Wir behalten uns vor, bei Reklamationen die defekten Teile auszubessern oder zu ersetzen oder das Gerät auszutauschen. Ausgetauschte Teile oder ausgetauschte Geräte gehen in unser Eigentum über. Nur wenn durch Nachbesserung(en) oder Umtausch des Gerätes die herstellereitig vorgesehene Nutzung endgültig nicht zu erreichen sein sollte, kann der Käufer aus Gewährleistung innerhalb von 24 Monaten, gerechnet vom Tag des Kaufes, Herabsetzung des Kaufpreises oder Aufhebung des Kaufvertrages verlangen. Nachbesserungen verlängern nicht die Gewährleistungszeit. Schadenersatzansprüche, auch hinsichtlich Folgeschäden, sind, soweit sie nicht auf Vorsatz oder grober Fahrlässigkeit beruhen, ausgeschlossen.

Bei unnötiger oder unberechtigter Beanspruchung des Kundendienstes berechnet dieser Zeit- und Wegeentgelt. Reklamationen sind unmittelbar nach Feststellung zu melden. Der Garantieanspruch ist vom Käufer, durch Vorlage der Kaufquittung, nachzuweisen. Bei Nicht-vorlage ist die Reparatur kostenpflichtig. Eine Rückerstattung – nach späterer Einsendung der Kaufquittung – kann nur innerhalb von einem Monat nach Rechnungsdatum gewährt werden.

Diese Garantiezusage ist gültig innerhalb der Bundesrepublik Deutschland

***) 0,14 EUR/Min. aus dem Festnetz der T-Com; Mobilfunk max. 0,42 EUR/Min. (nur für Deutschland)**

Prosíme, abyste si nejprve přečetli tento návod!

Vážení zákazníci,

děkujeme, že jste si vybrali produkt značky Beko. Doufáme, že s tímto výrobkem, který byl vyroben s využitím vysoce kvalitní a moderní technologie, budete spokojeni. Před použitím výrobku si pečlivě přečtěte celý návod k použití a jakékoli doplňující dokumenty a uchovejte je pro budoucí použití. Pokud výrobek předáte některé další osobě, rovněž jí předejte návod k použití. Dodržujte všechny bezpečnostní pokyny a informace uvedené v návodu k použití.

Tento návod se může vztahovat i k jiným modelům. Rozdíly mezi modely jsou v návodu výslovně popsány.

Význam symbolů

V různých částech tohoto návodu jsou použity následující symboly:



Důležité informace a užitečné rady o použití.



UPOZORNĚNÍ: Varování před nebezpečnými situacemi týkajícími se bezpečnosti života a majetku.



Varování před nebezpečím požáru.



Varování před zásahem elektrickým proudem.



Tento výrobek byl vyroben v ekologických a moderních zařízeních bez negativního dopadu na životní prostředí.

Tento výrobek splňuje
směrnici OEEZ.



Neobsahuje PCB.

1.1 Všeobecné bezpečnostní pokyny

Důležité bezpečnostní pokyny. Pozorně si přečtěte a uschovejte pro budoucí použití. Tato část obsahuje bezpečnostní pokyny, které vám pomohou chránit se před rizikem požáru, zásahu elektrickým proudem, vystavení uniklé mikrovlnné energii, zranění osob nebo poškození majetku. Nedodržení těchto pokynů ruší záruku.

- Výrobky Beko splňují platné bezpečnostní normy; Z toho důvodu, pro zabránění vzniku nebezpečí by v případě poškození spotřebiče nebo napájecího kabelu je měl opravit nebo vyměnit prodejce, servisní středisko nebo specializovaný a autorizovaný servis. Chybné nebo nekvalifikované opravy mohou být nebezpečné a mohou představovat riziko pro uživatele.
- Toto zařízení je určeno pro použití v domácnosti a v podobných podmínkách, jako jsou například:
 - Kuchyně pro zaměstnance v obchodech, kancelářích a jiných pracovních prostředích;
 - Farmové domy
 - Pro potřeby zákazníků v hotelech a jiných typech bytových zařízení;

- V ubytovací zařízení typu bed and breakfast.

- Používejte spotřebič na určený účel pouze tak, jak je to uvedeno v tomto návodu.
- Výrobce neodpovídá za škody způsobené nesprávnou instalací nebo nesprávným použitím produktu.
- Tento spotřebič mohou používat děti ve věku od 8 let a osoby s omezenými fyzickými, smyslovými nebo duševními schopnostmi, nebo nedostatkem zkušeností a znalostí, pokud jsou pod dohledem nebo jim byly dány instrukce týkající se použití přístroje osobou zodpovědnou za jejich bezpečnost.
- Se spotřebičem si nesmí hrát děti. Čištění a údržbu nesmějí provádět děti bez dozoru.
- Minimální vzdálenost mezi podpůrnou plochou pro varné nádoby na varné desce a nejnižší částí vašeho produktu musí být nejméně 65 cm.
- Pokud je v pokynech k instalaci plynové varné desky uvedena větší vzdálenost, musí to zohlednit.
- Ujistěte se, že síťové napájení je ve shodě s informacemi uvedenými na typovém štítku spotřebiče.
- Nikdy nepoužívejte spotřebič,

Důležité pokyny z hlediska bezpečnosti a životního prostředí

pokud je poškozen napájecí kabel nebo samotný spotřebič.

- Chcete-li zabránit poškození napájecího kabelu, nemačkejte ho, neohýbejte ho ani ho neotírejte na ostrých hranách. Napájecí kabel udržujte mimo dosah horkých povrchů a otevřeného ohně.
- Spotřebič používejte pouze s uzemněnou zásuvkou.

UPOZORNĚNÍ: Nepřipojujte spotřebič k elektrické síti, dokud není instalace zcela dokončena.

- Spotřebič umístěte tak, aby byla zástrčka vždy přístupná.
- Nedotýkejte se žárovek, pokud byly v provozu delší dobu. Mohou vám spálit ruce, protože budou horké.
- Dodržujte předpisy týkající se vypouštění odpadního vzduchu stanovené příslušnými orgány (toto upozornění se netýká použití bez kouřovodu).
- Svůj spotřebič provozujte po umístění hrnce, pánve atd. na varnou desku. V opačném případě může vysoká teplota způsobit deformaci některých částí vašeho produktu.
- Varnou desku vypněte před odebráním hrnce, pánve atd. z ní.
- Nenechávejte horký olej na varné

desce. Pánve s horkým olejem mohou způsobit samovznícení.

- Věnujte pozornost záclonám a příkrývkám, protože při pečení potravin, jako jsou např. hranolky, může olej vznítit.
- Tukový filtr vyměňujte nejméně jednou měsíčně. Uhlíkový filtr vyměňujte nejméně každé 3 měsíce.
- Výrobek vyčistěte v souladu s návodem k použití. Pokud čištění nebylo provedeno v souladu s návodem k použití, může vzniknout riziko požáru.
- Namísto aktuálního filtru nepoužívejte ne-ohnivzdorné filtrační materiály.
- Používejte pouze originální díly nebo části doporučené výrobcem.
- Nepoužívejte výrobek bez filtru a nevybírejte filtry, když je produkt v provozu.
- V případě, že dojde ke vznícení jakéhokoliv plamene, vypněte napájení vašeho produktu a kuchyňských spotřebičů.
- V případě vznícení plamene zakryjte plamen a na hašení nikdy nepoužívejte vodu.
- Před každým čištěním a když se zařízení nepoužívá, odpojte jej ze sítě.

Důležité pokyny z hlediska bezpečnosti a životního prostředí

- Jestliže digestoř pro elektrické varné desky a spotřebiče běžící na jiný druh energie, jako je elektrická energie pracují současně, podtlak v prostředí nesmí překročit 4 Pa (4 x 10 bar).
- V prostředí, ve kterém se spotřebič používá, musí být kouřové plyny zařízení fungující na topný olej nebo na plyn, jako je například vytápění místností, zcela izolované nebo zařízení musí být hermetického typu.
- Při připojování kouřovodu používejte trubky s průměrem 120 nebo 150 mm. Spojení potrubí musí být co nejkratší a musí mít co nejméně kolén.

Nebezpečí udušení! Všechny obalové materiály uchovávejte mimo dosah dětí.

POZOR: Přístupné části se při použití s kuchyňskými spotřebiči mohou zahřát.

- Vývod produktu nesmí být připojen k vzduchovému kanálu, který obsahuje další kouř.
- Pokud se digestoř elektrického varného panelu používá současně se zařízeními pracujícími na plyn nebo na jiná paliva, větrání v místnosti může být nedostatečné (to

se nemusí týkat spotřebičů, které pouze vypouštějí vzduch zpět do místnosti).

- Předměty umístěné na výrobku mohou spadnout. Na vrchní část produktu nedávejte žádné předměty.
- Pod vaším výrobkem neflambujte.

UPOZORNĚNÍ: Před instalací digestoře odstraňte ochranné fólie.

- Když je digestoř v provozu, nikdy nenechávejte pod digestoři vysoké plameny
- Fritézy s obsahem tuku se během používání nepřetržitě monitorovat: přehřátý olej může vzplanout.

1.2 Soulad se směrnicí WEEE a Odstranění odpadů výrobku

Tento výrobek splňuje požadavky směrnice WEEE EU (2012/19 / EU). Tento výrobek nese symbol klasifikace

pro odpad z elektrických a elektronických zařízení (OEEŽ).



Tento symbol znamená, že na konci své životnosti se tento výrobek nesmí likvidovat spolu s ostatním domovním odpadem. Použité zařízení se musí odnést na oficiální sběrné místo pro recyklaci elektrických a elektronických zařízení. Chcete-li najít

tato místa sběru, obraťte se na místní úřady nebo na prodejce, u kterého byl produkt zakoupen. Každá domácnost plní důležitou úlohu

při zhodnocování a recyklaci starých zařízení. Správná likvidace použitého spotřebiče pomáhá předcházet možným negativním následkům pro životní prostředí a lidské zdraví.

1.3 Soulad se směrnici RoHS

Výrobek, který jste si zakoupili, je v souladu se směrnicí EU RoHS (2011/65/EU). Neobsahuje škodlivé a zakázané materiály uvedené ve Směrnici.

1.4 Informace o balení

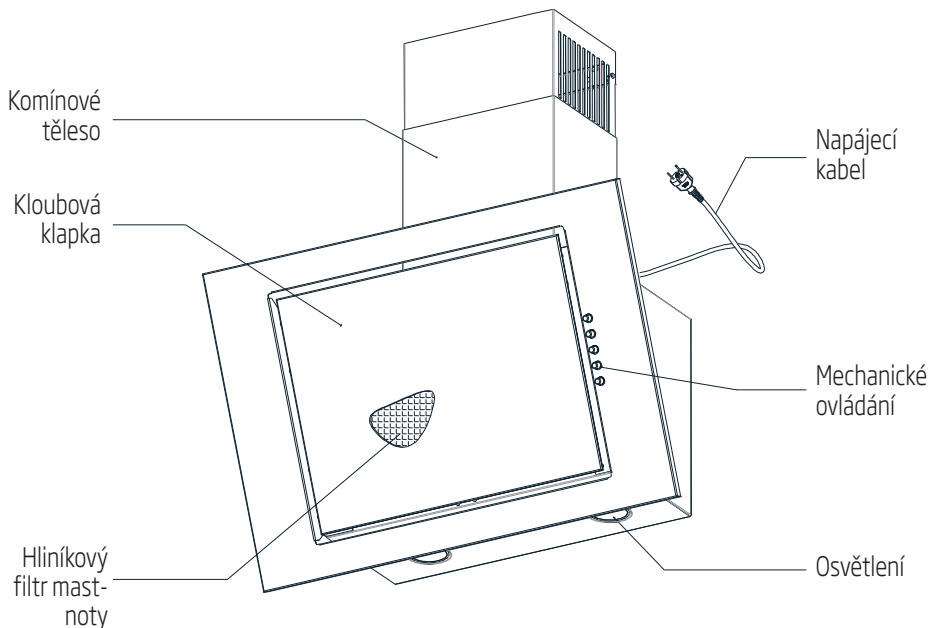


Obalové materiály výrobku jsou vyrobeny z recyklovatelných materiálů v souladu s našimi národními

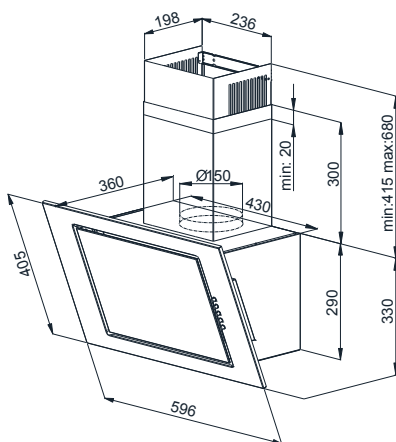
Předpisy pro životní prostředí. Nevyhazujte obalové materiály spolu s domácími nebo jinými odpady. Vezměte je do sběrných míst pro obalové materiály určené místními orgány.

2 Technické parametry

Technické údaje obsažené v této příručce a štítky umístěné na spotřebiči byly získány na základě měření a výpočtů v souladu s požadavky nařízení EU č. 65/2014 a 66/2014.



Obr. 1 Celkový pohled na kryt digestoře



Obr. 2 Kresba rozměrů

3.1 Provoz digestoře

Digestoř je určena k odsávání par během vaření jídla. Příklad může pracovat ve dvou režimech:

Jako odsavač vzduchu: výpary jsou odváděny z místnosti přes trubku pro odpad. Trubka pro odpad není dodávána se zařízením a měla by být zakoupena samostatně.



- Je třeba použít nejkratší možnou trubku pro odsávání výparů.
- Použijte trubku s maximálně hladkým vnitřním povrchem (použití trubek typu Spiro se nedoporučuje).
- Použijte odtahový kanál s co nejmenším počtem ohybů (úhly ohybu nesmí přesáhnout 90°).
- Změny v částech odtahového kanálu nedoporučujeme (od vyššího až po spodní část, například změna z Ø150 mm na Ø120 mm).

Jako absorbér: výpary jsou vyčištěny od tuku a pachů předtím, než se vrátí zpět do místnosti přes mřížku v horní části komínového tělesa. Chcete-li, aby digestoř fungovala v režimu absorpce, nainstalujte uhlíkový filtr

(Obr. 10). Uhlíkový filtr není součástí standardního vybavení a měl by být zakoupen zvlášť.

3.2 Provoz digestoře

Digestoř je vybavena mechanickým kontrolním ovládním.

- Tlačítko **"0"** - ventilátor digestoře je vypnutý
- Tlačítko **"1"** - zapnutý ventilátor digestoře s minimální rychlostí
- Tlačítko **"2"** - zapnutý ventilátor digestoře se střední rychlostí
- Tlačítko **"3"** - zapnutý ventilátor digestoře s maximální rychlostí

Vyšší rychlost znamená vyšší cirkulaci vzduchu.

- Tlačítko  zapne světýlko. Chcete-li světlo vypnout, stiskněte tlačítko ještě jednou.

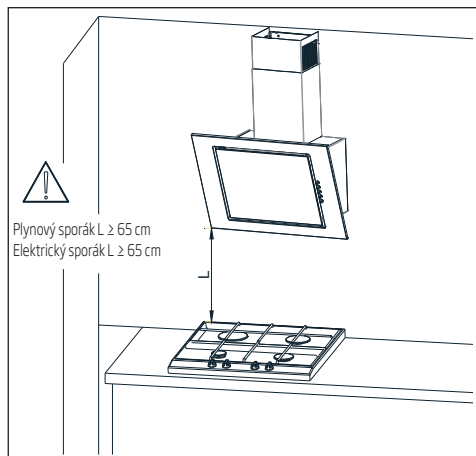
4 Instalace

4.1 Instalace digestoře



Použití šroubů a upevňovacích prvků, které nejsou uvedeny v návodu k použití, může způsobit úraz elektrickým proudem.

Minimální vzdálenost digestoře visící mezi plochou kuchyňské linky nad sporákem (plyn či elektrický sporák) a nejnižší částí digestoře (obr. 3) musí činit nejméně 65 cm u elektrického sporáku a nejméně 65 cm u plynového sporáku. Pokud je v návodu pro použití sporáku větší vzdálenost pro instalaci digestoře, musí být dodržena tato vyšší vzdálenost. Montáž digestoře a komínového tělesa je znázorněna na obrázcích (obr. 4 - obr. 9). Digestoř je vybavena upevňovacími kolíky, které jsou ve většině případů v souladu s barvou stěn a stropu. Během montáže dodržujte běžná pravidla pro odvod vzduchu z prostor.



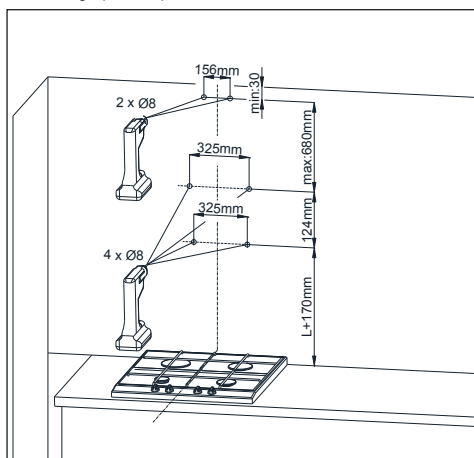
Obr. 3 Doporučené vzdálenosti od sporáku

Před zahájením instalace:

- Zkontrolujte, zda se rozměry zakoupeného zařízení shodují s plánovaným místem instalace.
- Demontujte a odstraňte (pokud je to možné) veškerý nábytek, který je v oblasti instalace krytu, aby byl zajištěn snadný přístup ke stropu nebo ke stěně, kde bude digestoř osazena. Pokud to není možné, zakryjte nábytkové prvky, které jsou v blízké oblasti.
- Zkontrolujte, zda je v blízkosti montážní oblasti zásuvka, a přesvědčte se, zda digestoř může být připojena k odtahovému kanálu pro odtah výparů.
- Zkontrolujte, zda v místech, kde bude provedeno vrtání, nejsou žádné kabely (elektrické, hydraulické apod.).
- Připravte si následující nástroje: pravítko, tužka, vrtačka/elektrická vrtačka, vrtací nástroj Ø8, šroubovák, vodováha.

Montáž:

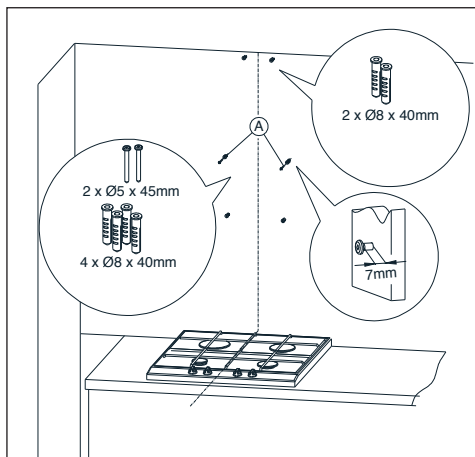
1. Určete osu sporáku a namalujte ji na stěnu, kde bude umístěna digestoř. Připravte všechny body připevnění digestoře. Vrtačkou vyvrtejte otvory. (Obr. 4)



Obr. 4 Rozměry montáže

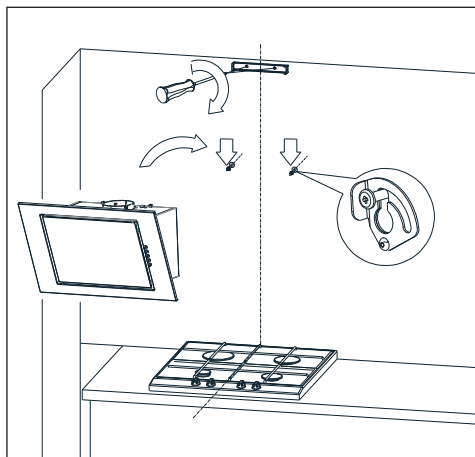
4 Instalace

2. Do otvorů zasuňte šroubové zátky. Ve dvou otvorech označených jako A našroubujte rovněž šrouby (ponechte délku šroubu 7 mm mimo šroubovací zátku, obr. 5).



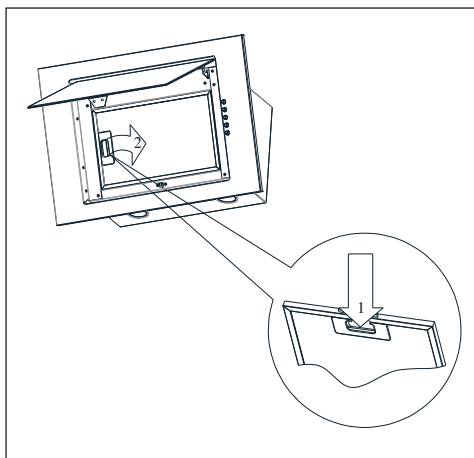
Obr. 5 Sestava šroubových spojů

3. Našroubujte upevňovací prvek komínového tělesa a zavěste digestoř na dva neutažené šrouby (obr. 6).



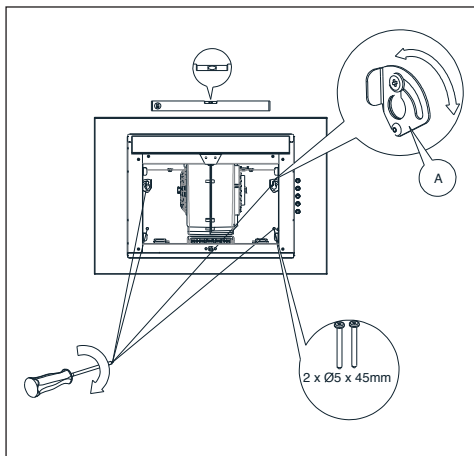
Obr. 6 Zavěšování digestoře

4. Otevřete klapku digestoře a vyjměte tukový filtr (obr. 7).



Obr. 7 Odstranění hliníkových tukových filtrů

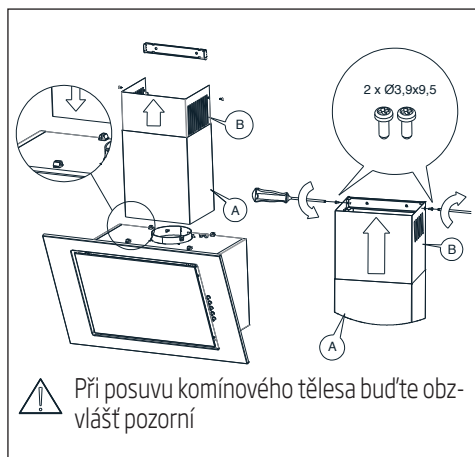
5. Změřte úroveň digestoře vodoměrem. Otočením prvku označeného písmenem A nastavte úroveň digestoře podle indikace na vodoměru a poté utáhněte dva šrouby, které byly předtím jen částečně našroubovány. Následně našroubujte dva zbývající šrouby (obr. 8).



Obr. 8 Umístění digestoře

4 Instalace

Připojte komínové těleso do digestoře. Poté jemně připojte část digestoře se znaménkem B směrem nahoru tak, aby bylo možné našroubovat ji k upevňovacímu prvku, který byl předtím připevněn ke stěně (obr. 9).



Obr. 9 Montáž komínového tělesa



Tato montáž musí být provedena velmi opatrně, aby nedošlo k poškrábání samotného komínového tělesa a digestoře.

4.2 Elektrické zapojení

Síťové napětí musí odpovídat napětí uvedenému na desce umístěné uvnitř digestoře. Pokud je digestoř vybavena zástrčkou, vložte ji do zásuvky, která splňuje příslušné požadavky, a umístěte ji na snadno přístupném místě. Pokud není digestoř vybavena zástrčkou, musí instalaci digestoře provádět osoba, která má požadovaná oprávnění (např. elektrikář).

5 Čištění a údržba

5.1 Čištění

- Prosím proveďte čištění digestoře ihned po smažení.
- K čištění vnějšího povrchu digestoře použijte měkký hadřík navlhčený v kapalném saponátu.
- K čištění nikdy nepoužívejte brusné ani hrubé materiály.
- Můžete používat čisticí prostředky běžně dostupné k odstranění odolné mastnoty atd., pokud dodržíte bezpečnostní pokyny a varování na výrobku. Abyste nepoškrábali těleso z broušené oceli, otírejte je ve stejném směru.
- Nepoužívejte čisticí prostředky s kyselinou uhlovodíkovou, škrob nebo brusný prášek, abyste zachovali kvalitu povrchu výrobku. Používejte hadřík navlhčený v mýdlovém roztoku nebo speciální čisticí sprej na nerezavějící ocel. Sejměte ochrannou fólii ze spotřebiče.



Pozor! Pokud nedodržíte pokyny týkající se čištění a výměny filtrů digestoře, můžete způsobit požár.

5.2 Tukový filtr

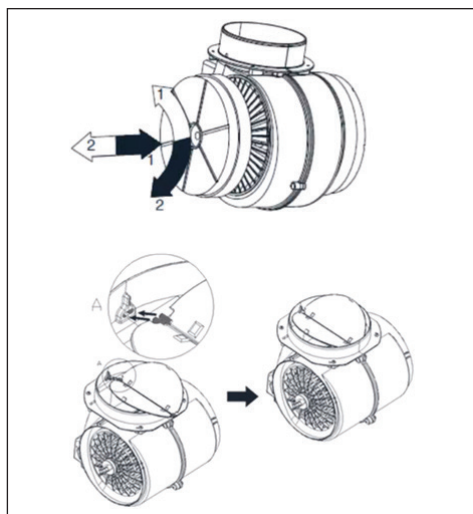
Digestoř je vybavena hliníkovým filtrem, který zastavuje částice tuku, které jsou v průběhu vaření vypouštěny. Chcete-li filtr vyjmout, přesuňte svorky ve směru šipky (obr. 7). Filtr musí být vyčištěn ručně ponořením do vody s tekutinou na mytí nádobí po dobu cca. 15 minut při teplotě 40 - 50°C. Po 15 minutách umyjte a opláchněte filtr. Filtr musí být před umístěním do digestoře suchý. Filtr můžete umýt také v myčce na nádobí. Během mytí se může změnit barva filtru, což neovlivňuje jeho filtrační vlastnosti. Pravidelné nevyčištění filtru snižuje výkon digestoře a může způsobit požár. Filtr by měl být čištěn nejméně po každých 35 hodinách provozu digestoře.

5.3 Uhlíkový filtr

Digestoř může být vybavena uhlíkovým filtrem. Uhlíkový filtr se používá, pokud digestoř není připojena k odtahovému kanálu. Filtr musí být nainstalován na tělese ventilátoru, jak je znázorněno na obrázku (obr. 10). Uhlíkový filtr je třeba vyměnit každých 6 měsíců.



Uhlíkový filtr nemyjte ani neregulujte.



Obr. 10 Výměna uhlíkového filtru

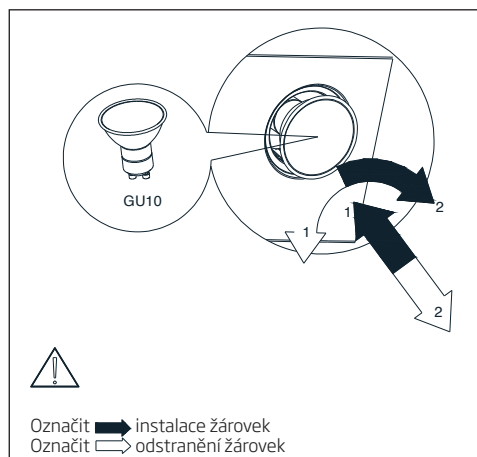
5 Čištění a údržba

5.4 Výměna osvětlení

Než začnete jakoukoli práci týkající se výměny osvětlení, vypněte napájení. Pokud byla digestoř zapnutá, počkejte, dokud nevychladne a poté proveďte výměnu. Výměna žárovek je znázorněna na obr. 11.



- Před výměnou žárovek vypněte digestoř.
- Nedotýkejte se žárovek, pokud jsou horké.
- Buďte opatrní, abyste se nedotkli nainstalované žárovky rukou.



Obr. 11 Výměna osvětlení

5.5 Jak snížit dopad vaření na životní prostředí

- Abyste snížili spotřebu energie, vařte v kuchyňském nádobí pod víkem.
- Hliníkové filtry digestoře musí být udržovány v čistotě (doporučená doba práce hliníkového filtru před jeho čištěním: max. 35 h provozu digestoře).
- Ventilací kanály nesmí být zablokovány.
- Rychlost provozu ventilátoru během vaření nastavte na minimální úroveň, která umožňuje odvádět páry, a vezměte v úvahu skutečnou intenzitu vaření.

Pokud musíte spotřebič přemístit:

- Uskladněte si originální balení spotřebiče. Spotřebič přepravujte v původním obalu a dodržujte značení pro přepravu v původním obalu.

Pokud nemáte původní obal:

- Na digestoř neumíste žádné předměty.
- Ochraňte vnější plochu před nárazy.
- Zabalte spotřebič tak, aby se během přepravy nepoškodil.

6 Řešení problémů

Příznaky	Příčina	Způsob opravy
Během provozu digestoře se zobrazí blikající písmeno „F“.	Po 35 hodinách provozu signalizuje digestoř nutnost vyčištění nebo výměny tukového filtru.	Stiskněte a podržte „-“ na dotykovém ovladači po dobu asi 8 sekund. Filtr by měl být umyt v myčce nebo nahrazen novým.
Na displeji se zobrazí pouze symbol „-“ (Minus a tečka v pravém dolním rohu), digestoř nereaguje na vypnutí.	Dotykový ovladač byl zablokován - tato funkce usnadňuje čištění digestoře.	Chcete-li zámek odblokovat, stiskněte a podržte po dobu asi 10 sekund pole se symbolem zapnutí.
Na displeji se nezobrazuje žádný symbol, digestoř nereaguje na stisknutí ovládacích polí.	Dotykový ovladač je pravděpodobně blokován.	Odpojte digestoř od napájení na dobu asi 15 sekund a znovu ji zapněte.
Na displeji se zobrazí symbol jedné z rychlostí; digestoř nereaguje na stisknutí ovládacích polí.	Dotykový ovladač je pravděpodobně blokován	Odpojte digestoř od napájení na dobu asi 15 sekund a znovu ji zapněte.
Turbína digestoře se po 15 minutách provozu odpojí, na displeji se zobrazí pulzující číslice, např. „1.“ (aktuální stupeň rychlosti a tečka v pravém dolním rohu).	Byl aktivován automatický časový spínač dotykového ovládání.	Chcete-li časový spínač deaktivovat, stiskněte a podržte po dobu asi 10 sekund symbol „+“ nebo digestoř vypněte.
Na čtvrtém rychlostním stupni pulsuje na displeji číslice „4“, po 5 minutách se změni rychlost na stupeň tři.	Digestoř je vybavena režimem turbo, který po 5 minutách provozu automaticky přepne na třetí rychlostní stupeň, aby šetřil energii.	Režim turbo musí být používán pouze v kombinaci s intenzivním vařením.
Digestoř lze ovládat pouze pomocí ovládacího panelu, nereaguje na dálkové ovládání.	Baterie dálkového ovladače je vybitá nebo je vzdálenost příliš dlouhá.	Vyměňte baterii za novou.
Digestoř vykazuje velmi špatné nasávání par.	Pravděpodobnou příčinou jsou zanešené filtry.	Filtr mastnoty musí být umyt v myčce nebo nahrazen novým. Uhlíkový filtr (pokud je k dispozici) musí být nahrazen novým.
Jeden nebo více světelných bodů nefunguje.	Vadná halogenová / LED žárovka.	Žárovka musí být nahrazena novou, kompatibilní se symbolem určeným v návodu k použití digestoře.
Digestoř vytváří nadměrný hluk a vibrace.	To může být způsobeno nesprávnou instalací digestoře na stěnu nebo vibrací kuchyňské linky. Nebyly použity všechny dodané šrouby nebo jsou uchyceny volně a umožňují vůli.	Digestoř musí být namontována na stěnu nebo skříňku pomocí všech bodů, které poskytuje výrobce. Po nastavení horní a vertikální polohy digestoře utáhněte všechny upevňovací šrouby.
* týká se digestořů s dotykovým ovládáním.		
Pokud výše uvedená doporučení problém nevyřeší, obraťte se na autorizovaný servis pro domácí spotřebiče. Za žádných okolností není uživateli umožněna samostatná oprava. Seznam servisních center je součástí záručního listu a webové stránky.		

