

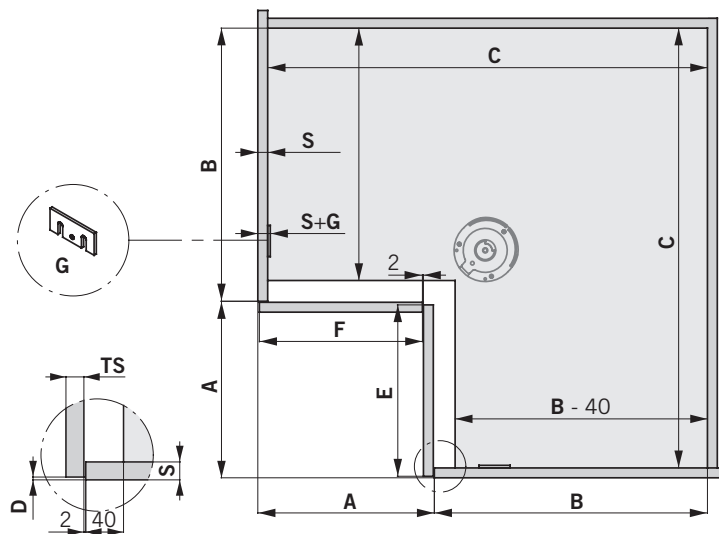
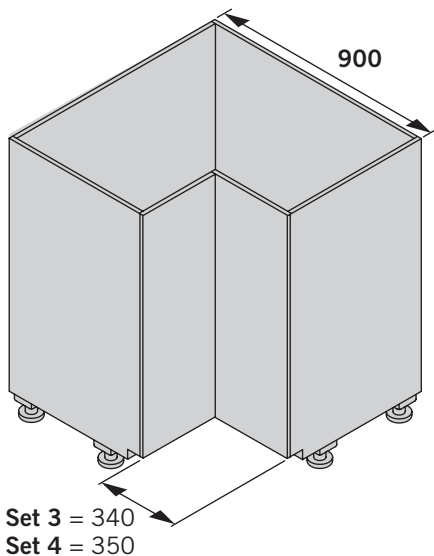
03 / 2023



Montage / Assembly

VS COR® Spin 71

Lagerkreuz
Bearing cross
Typ A



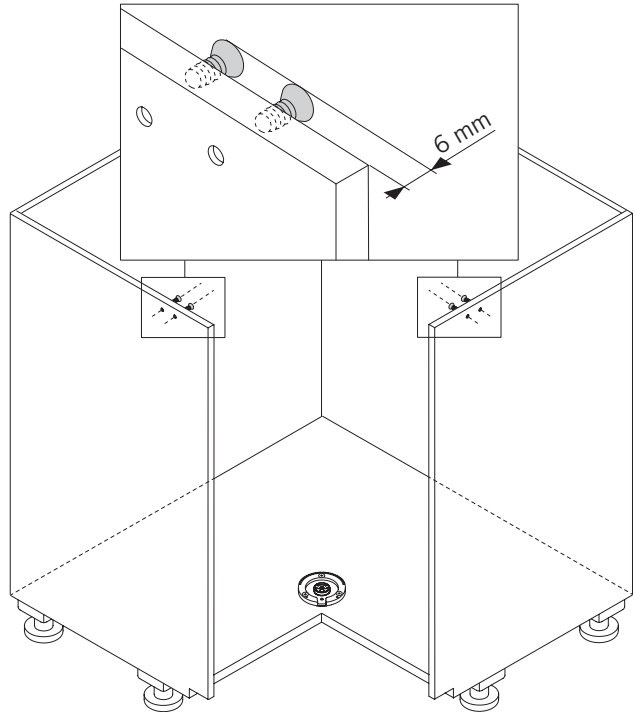
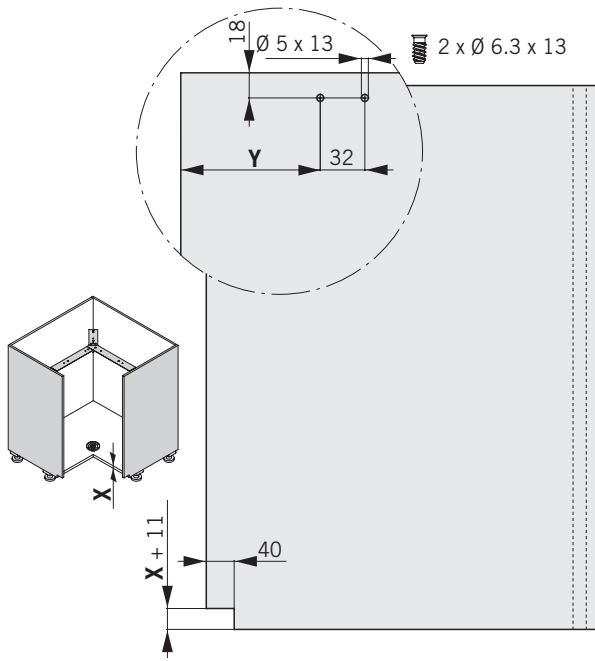
Set	S	A	B	C	TS	D	E	F
Set 3	16	340	512	852-S	16-22	2-4	330	336-TS-D
	18							
	19							
Set 4	16	350	522	872-S	16-22	2-4	340	346-TS-D
	18							
	19							

1

	Set 3			Set 4		
S	16	18	19	16	18	19
X	422	420	419	432	430	429

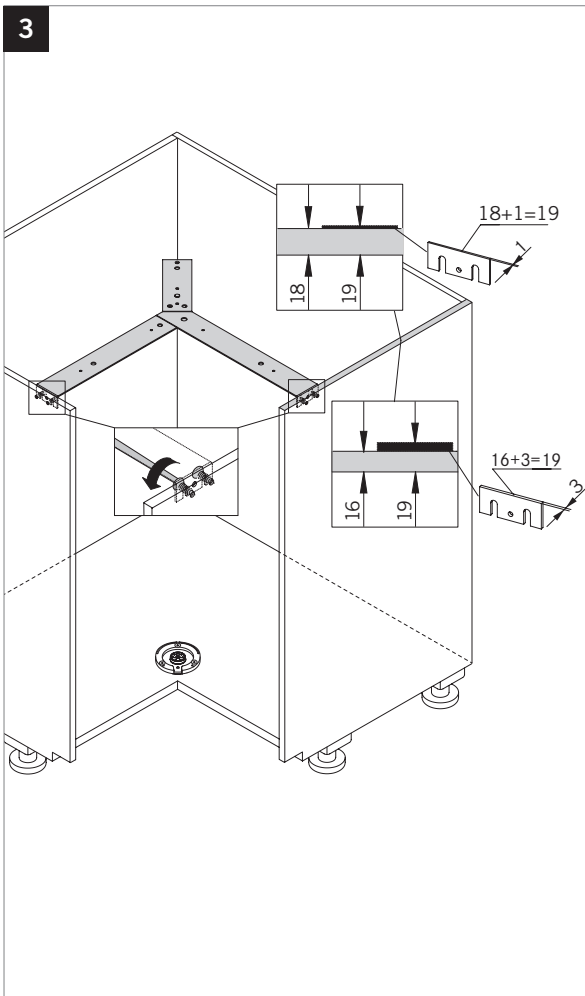
D7100003000 - 03/2023

2

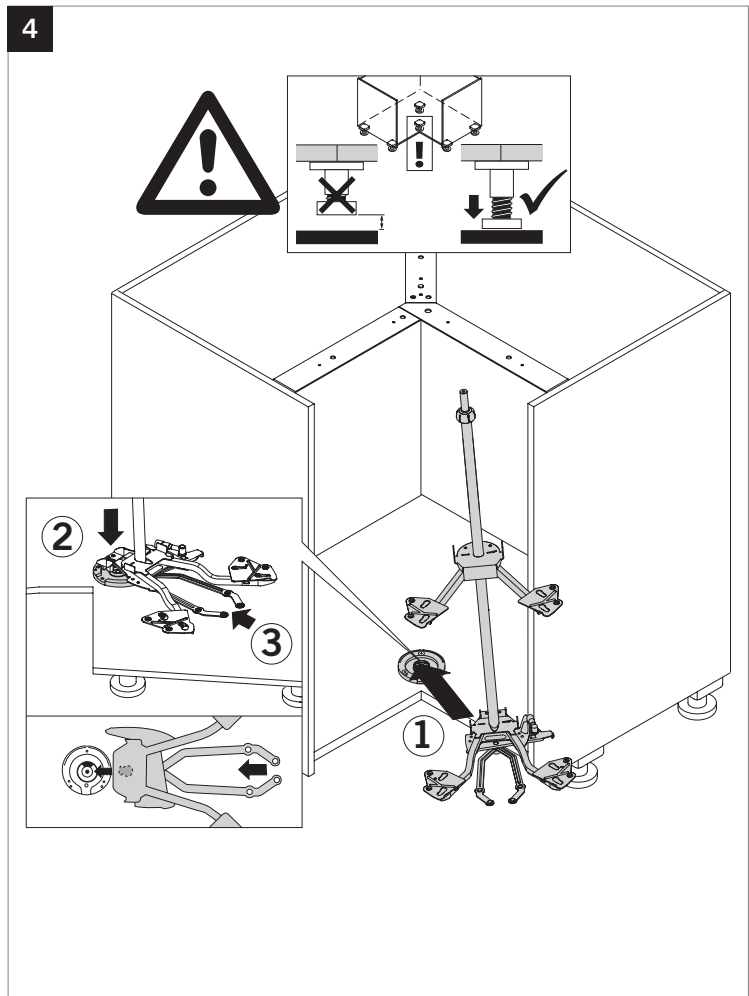


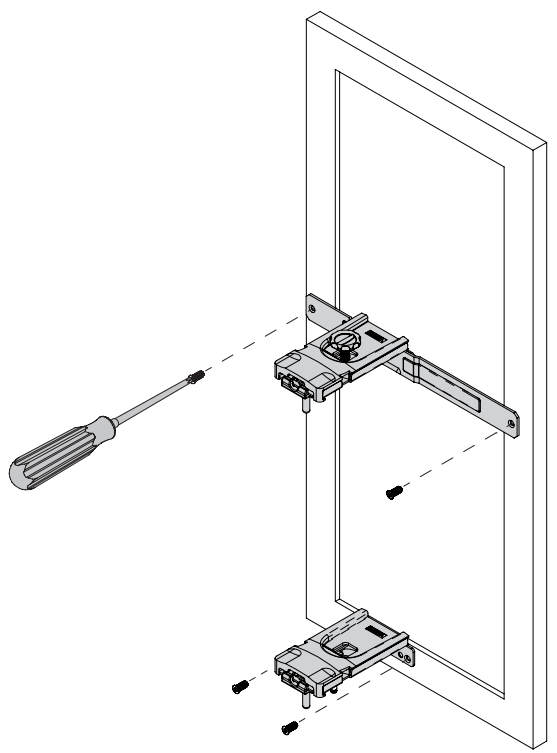
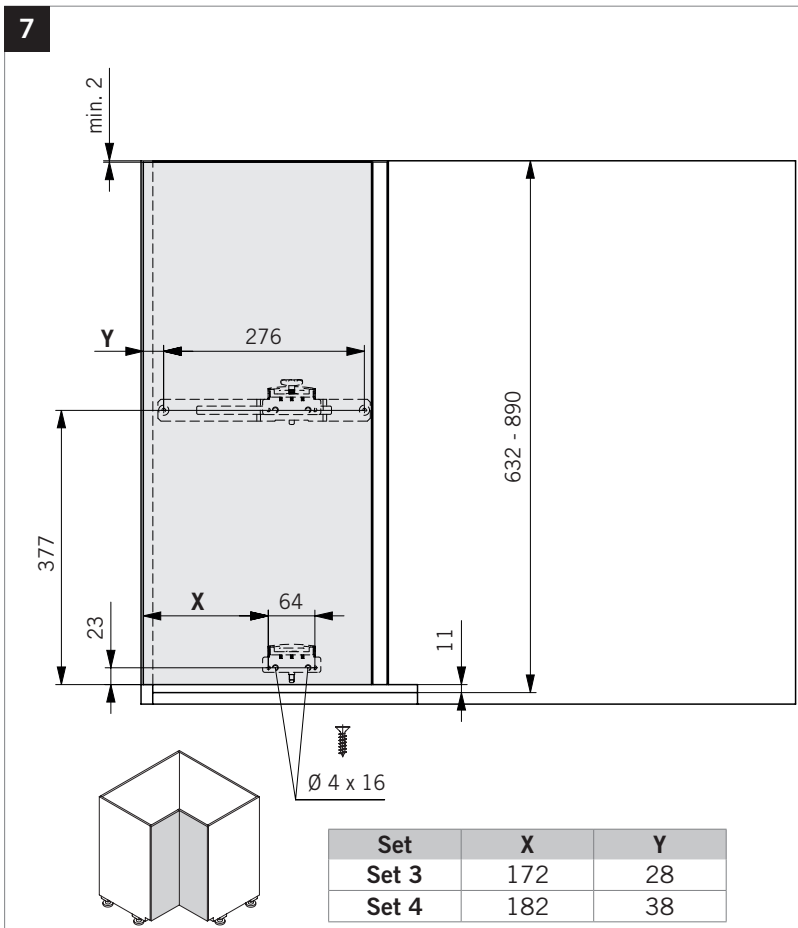
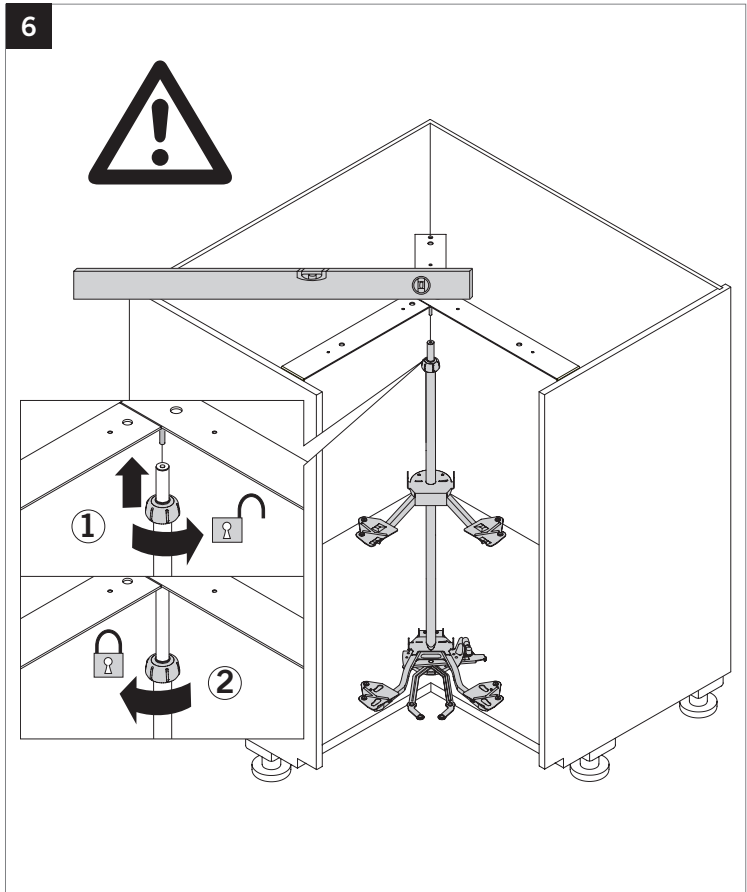
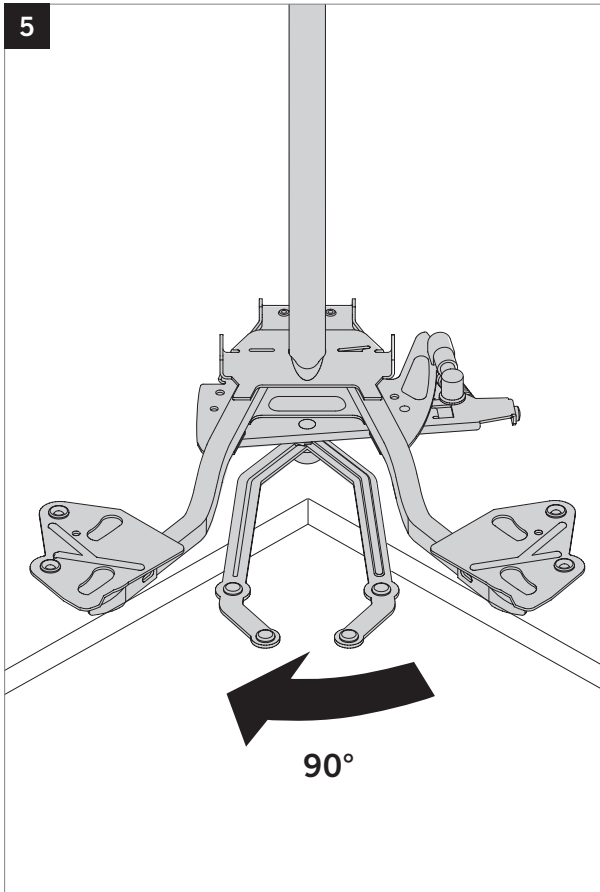
	Set 3	Set 4
Y	100	90

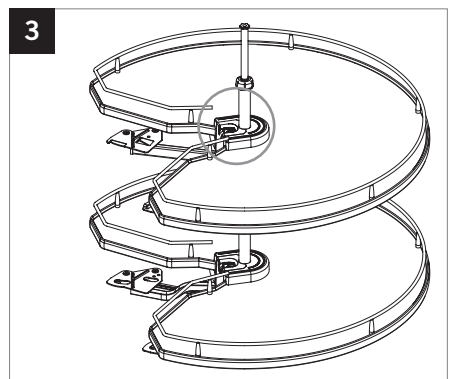
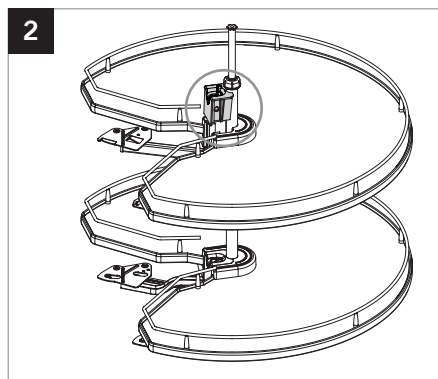
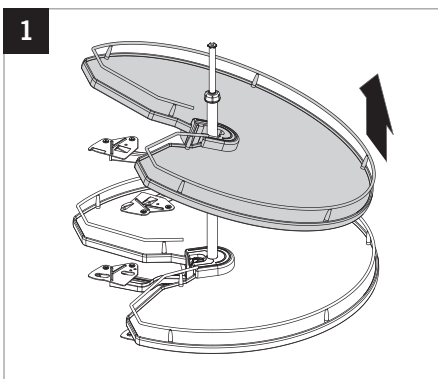
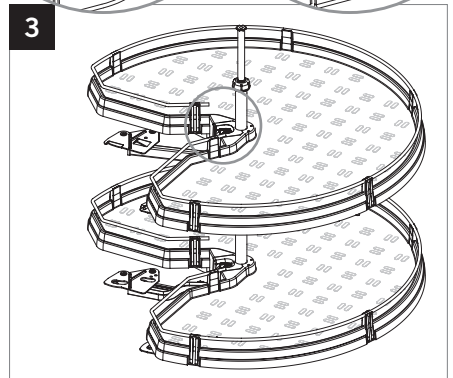
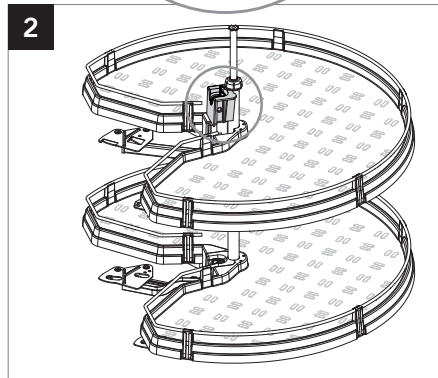
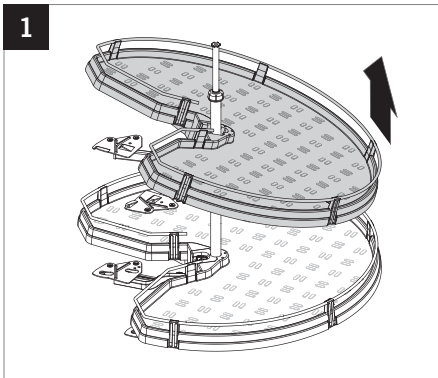
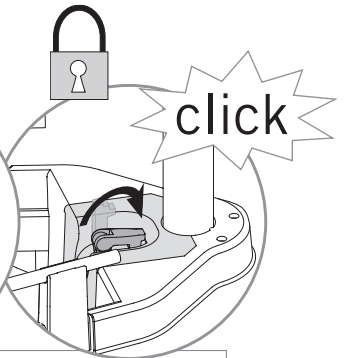
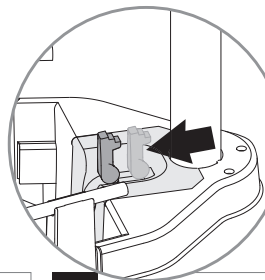
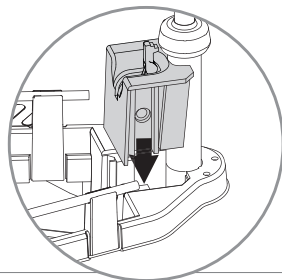
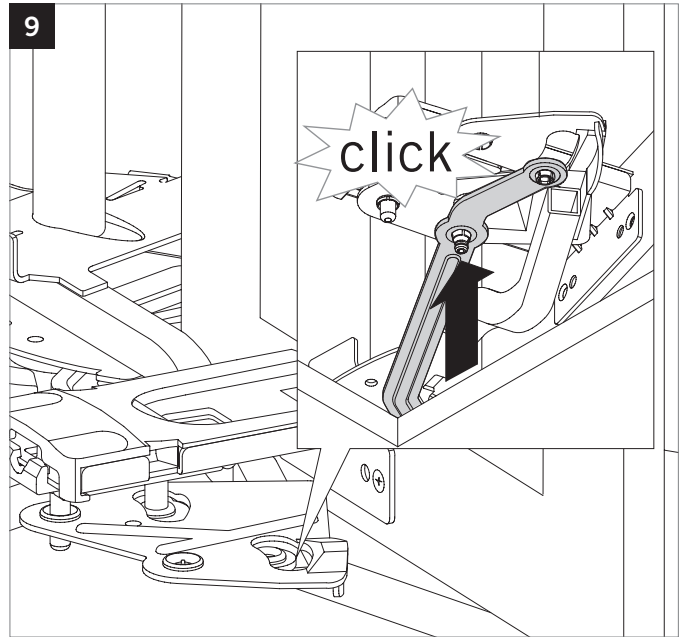
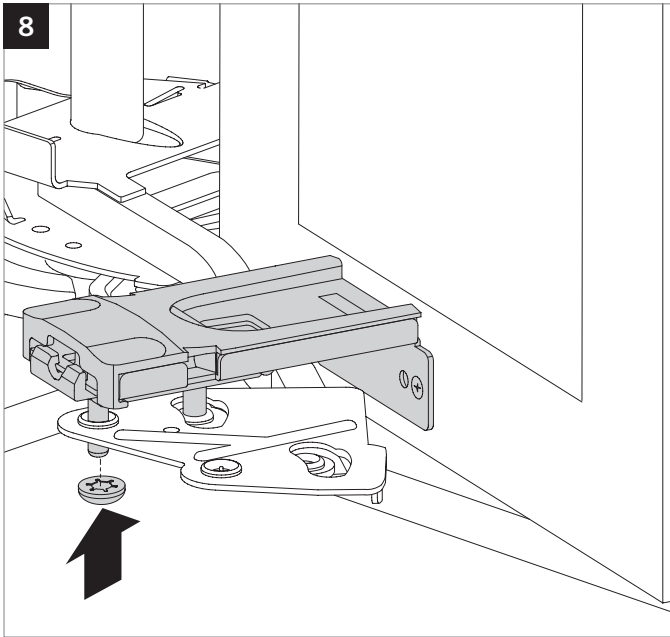
3



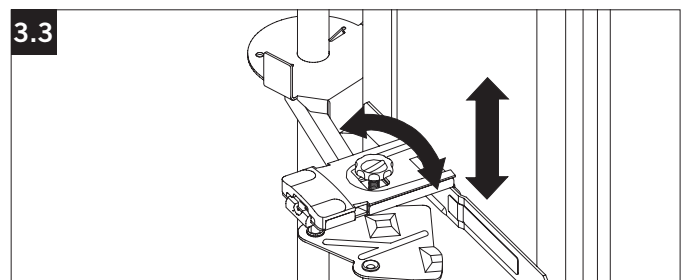
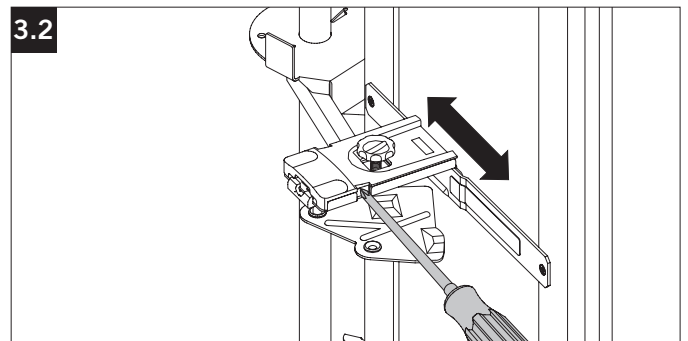
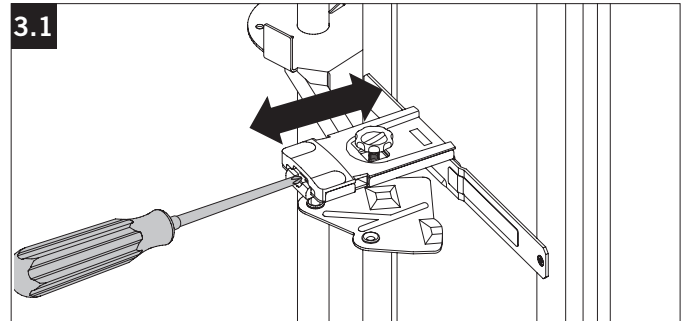
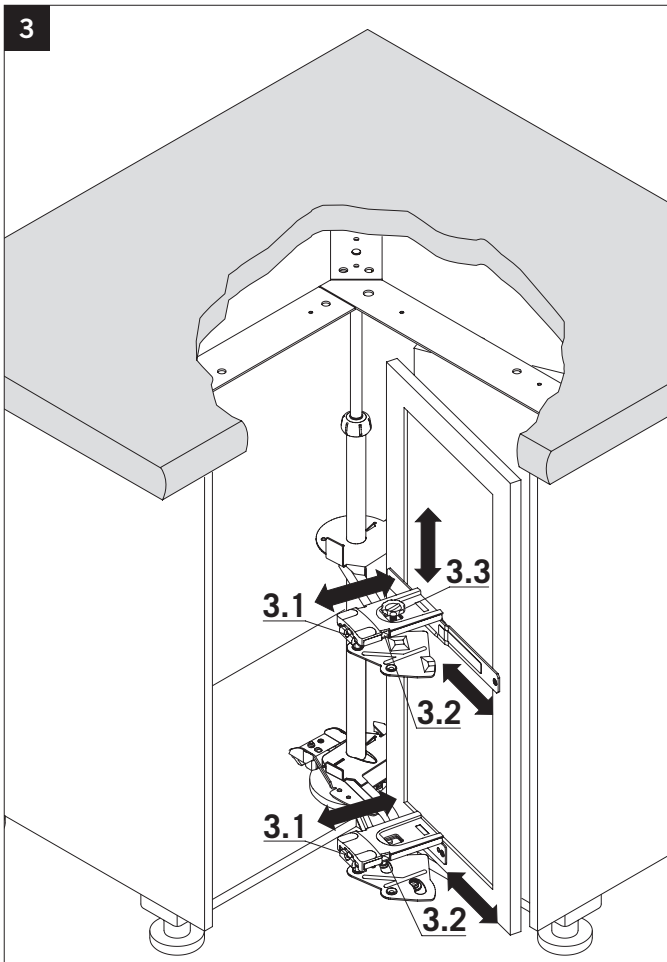
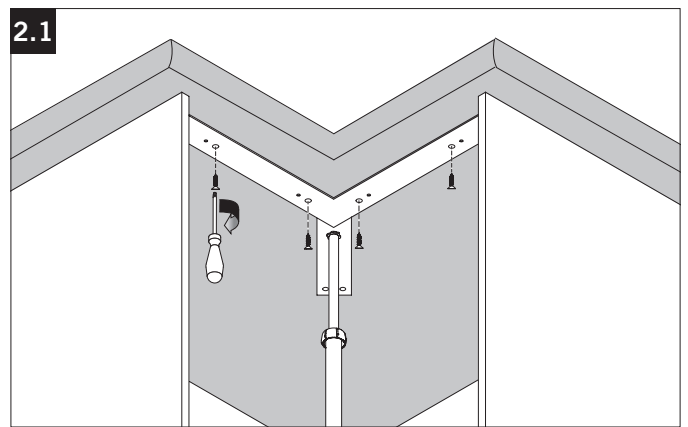
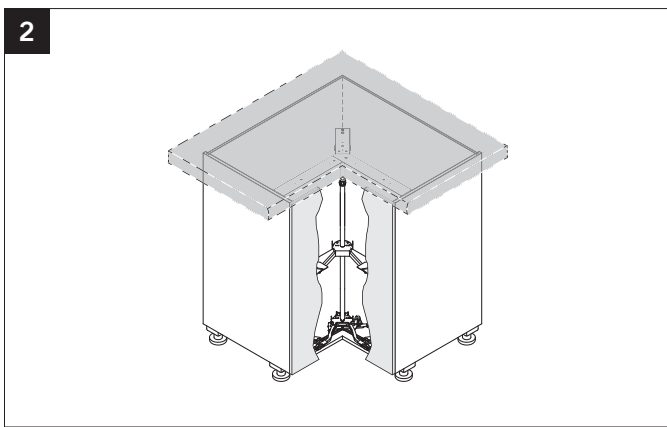
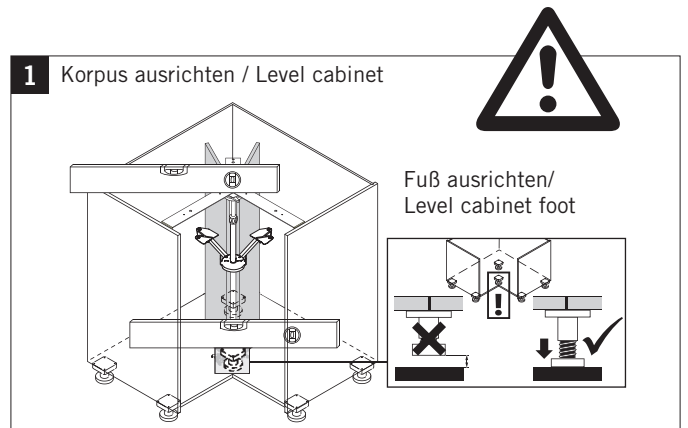
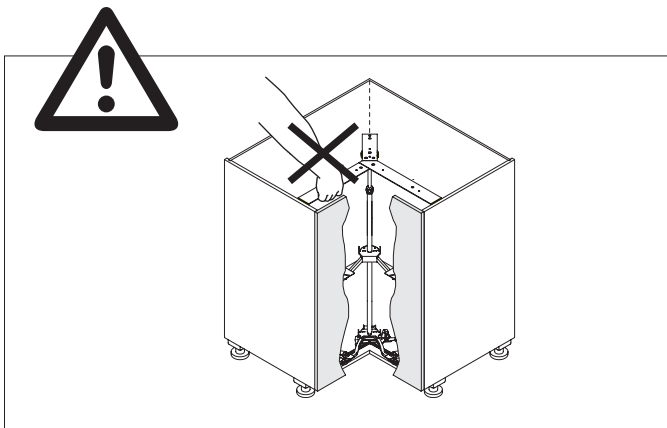
4

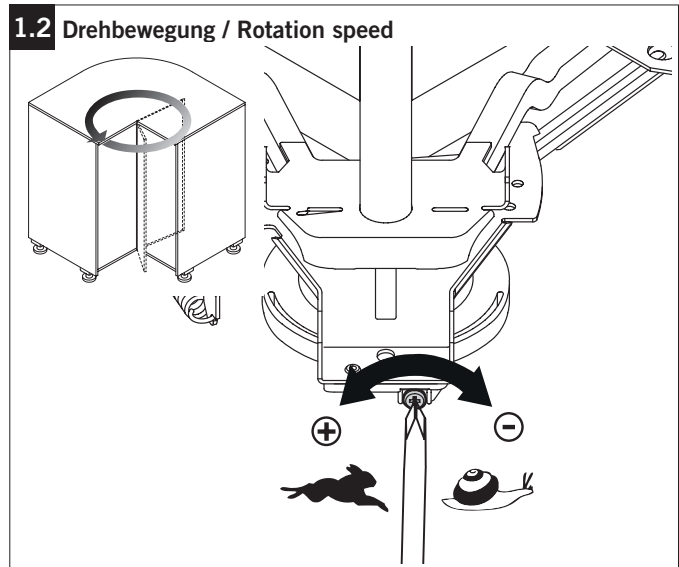
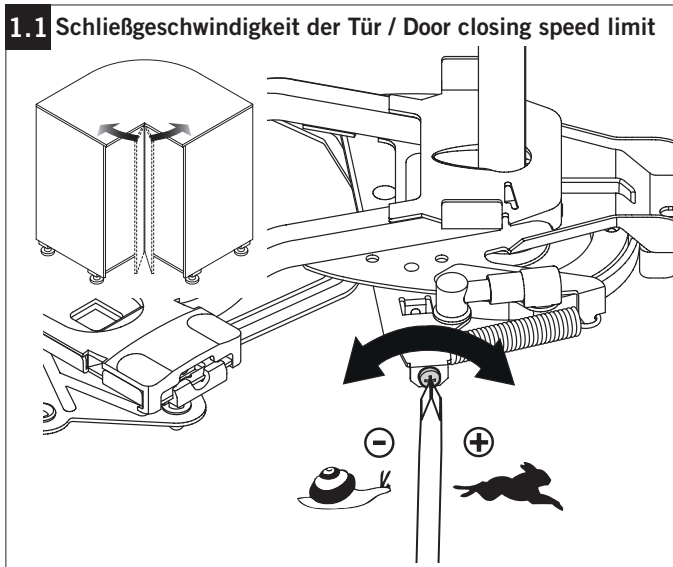
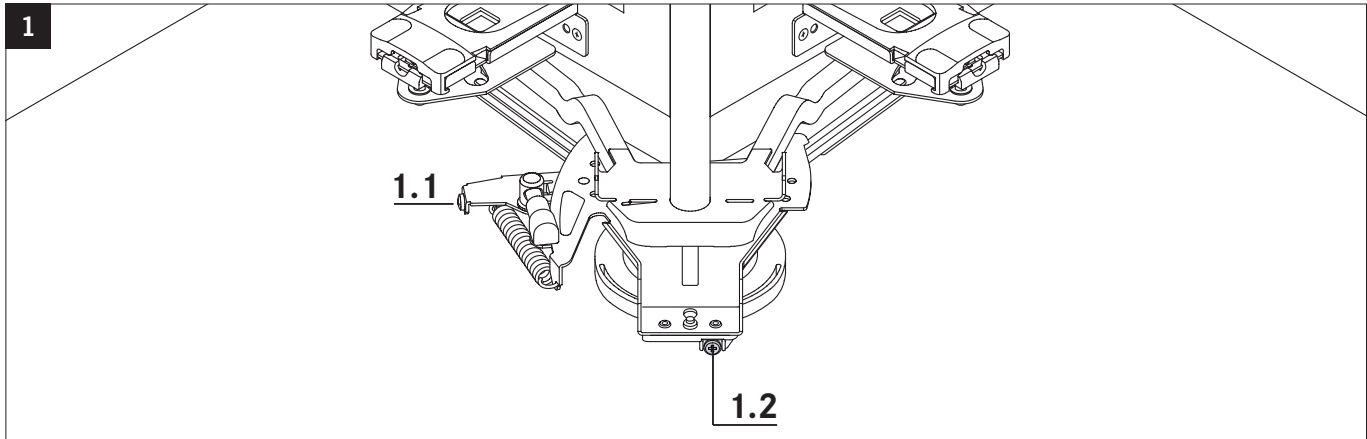






Verstellmöglichkeiten / Adjustment of the doors and shelf





Wartungshinweis / Maintenance note

