

VIS

4



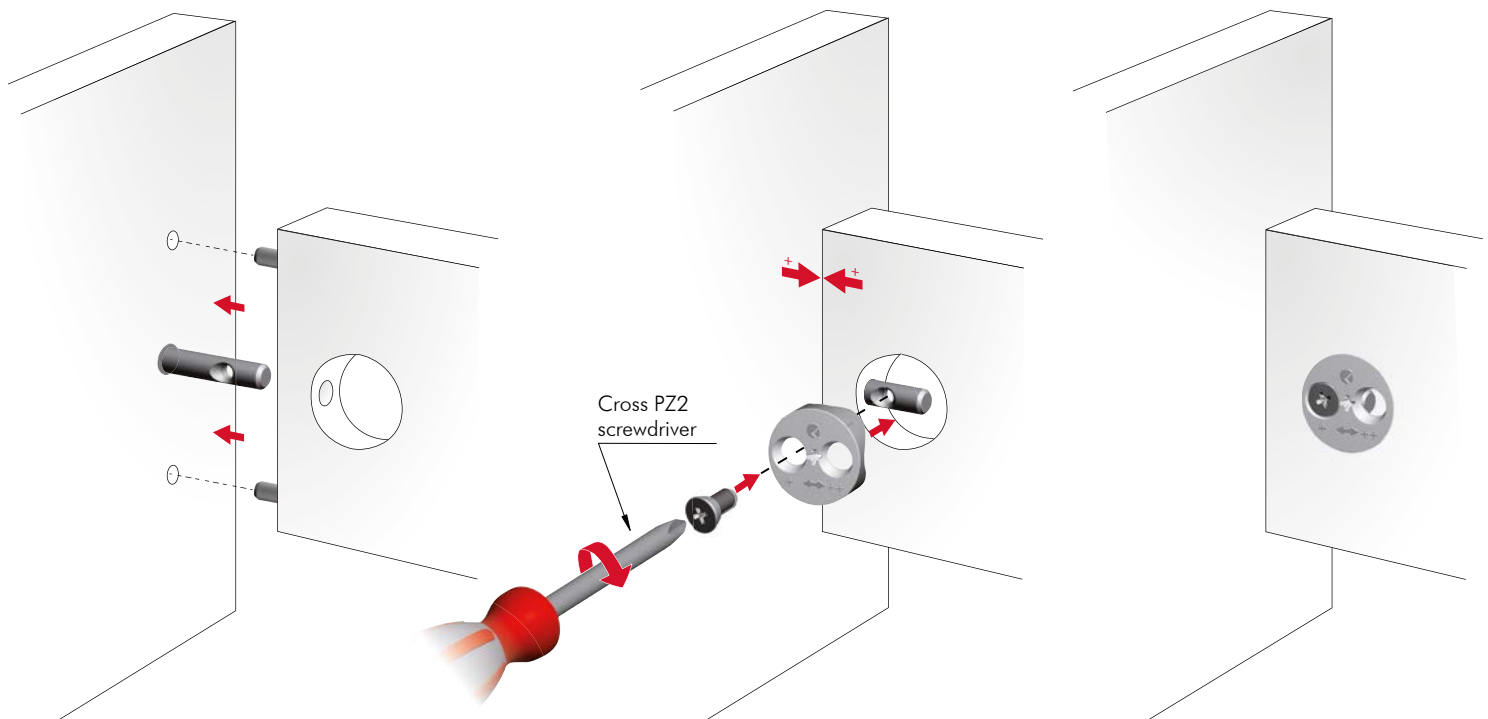
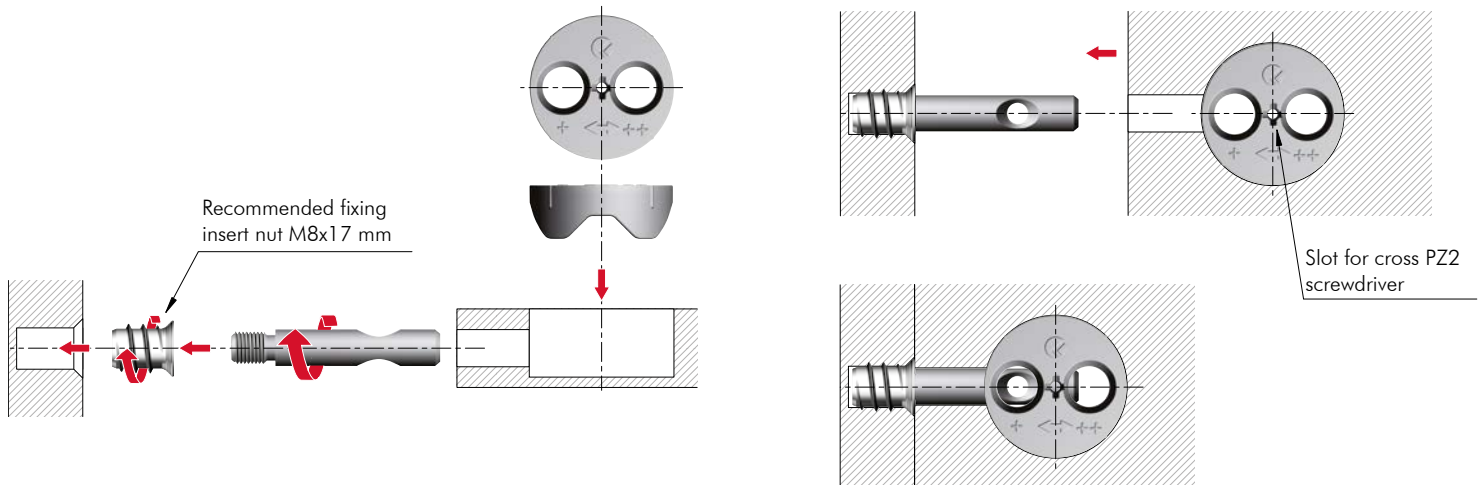
18 mm min.



PAT. PENDING



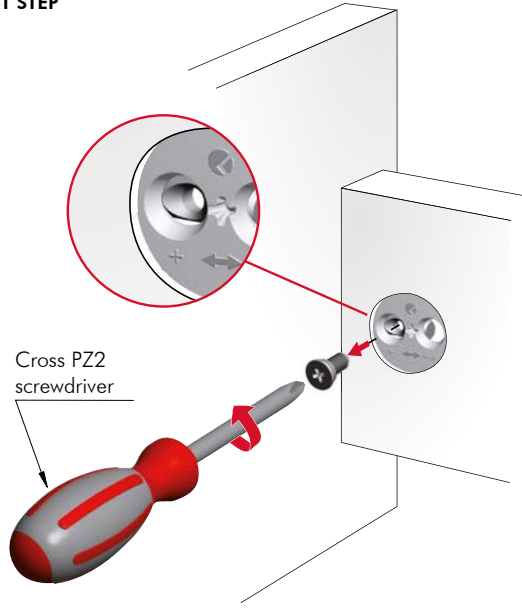
INSTALLATION AND ASSEMBLING





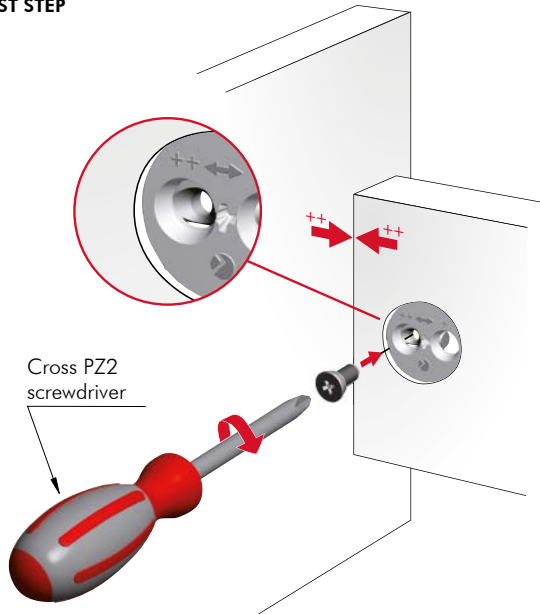
FROM + (minimum) TO ++ (maximum) TIGHTENING

FIRST STEP



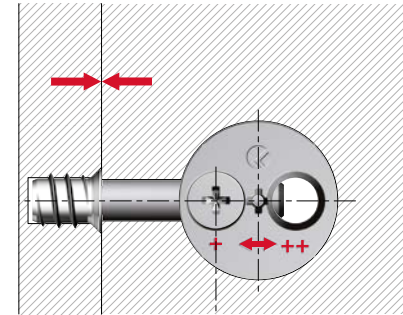
Cross PZ2
screwdriver

LAST STEP

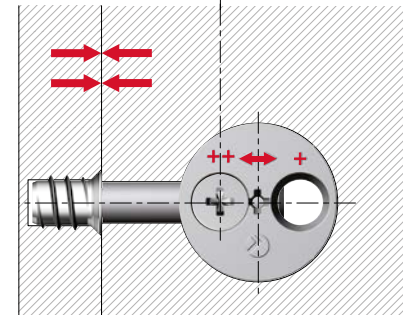


Cross PZ2
screwdriver

Minimum tightening position (+)



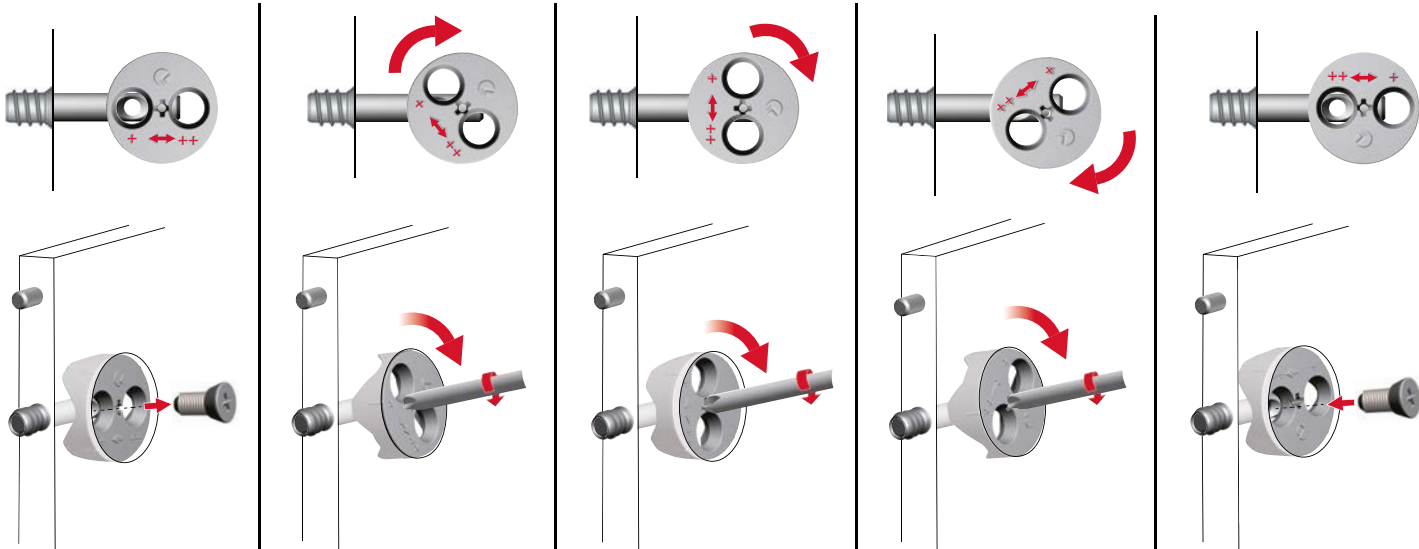
1,2



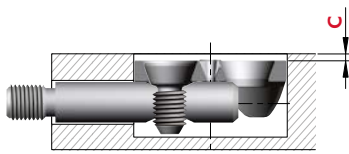
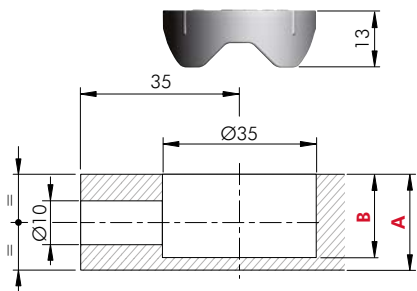
Maximum tightening position (++) = + 1,2 mm

Minimum tightening
position (+)

Maximum tightening
position (++)



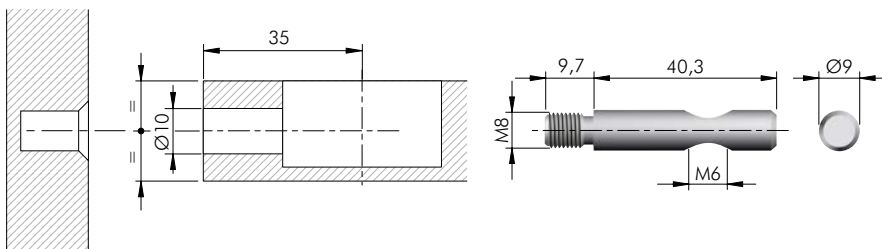
4



A	B	C
18	15,5	0
19	16,5	0,3
20	17,5	0,8
22	19	1,8
25	20,5	3,3
30	23	5,8

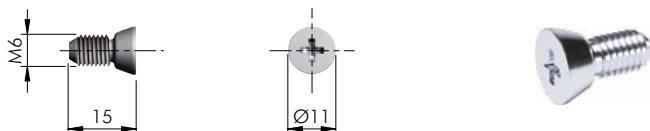
= 18 mm min.
 = PZ2

 = 600 pcs.
 123
21626000ZN



= M8

 = 500 pcs.
 123
21210040ZN

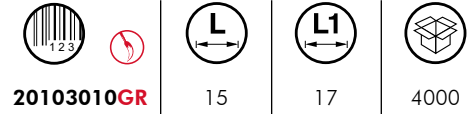
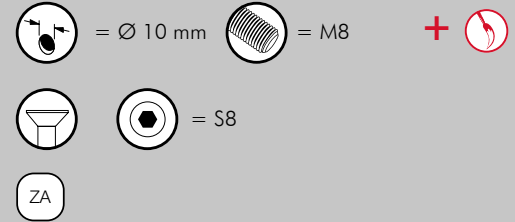
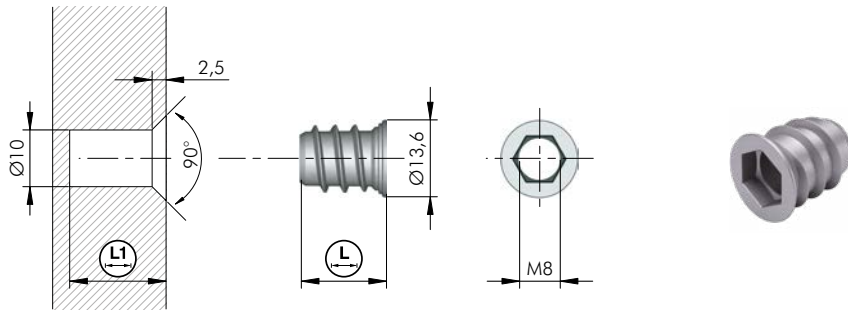


= M6
 = PZ2

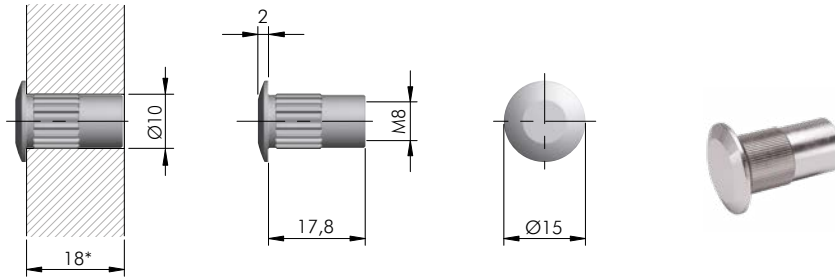
 = 3000 pcs.
 123
21101060ZN



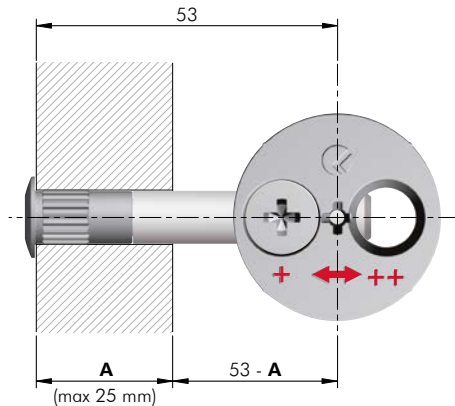
VIS FIXING ACCESSORIES



4



* For Headboard/Footboard thickness other than 18 mm, the drilling plan for VIS has to be modified according to the drawing below.



VIS ACCESSORY

