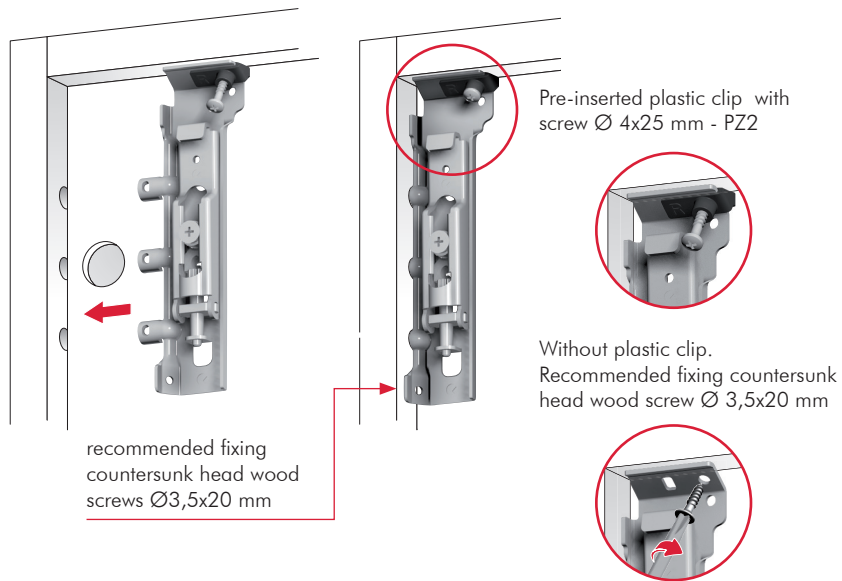


APC 3



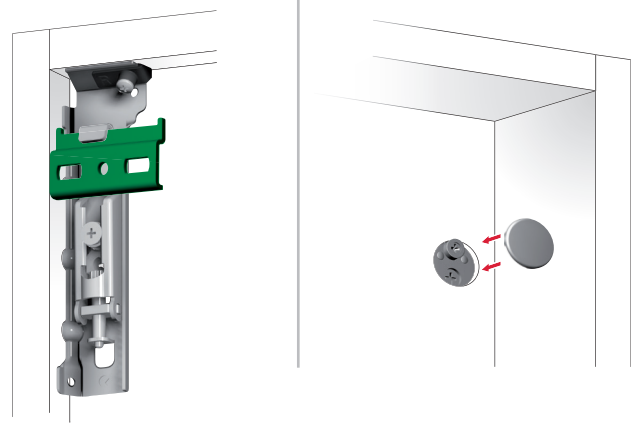
70 Kg per piece

INSTALLATION UNDER THE CABINET TOP



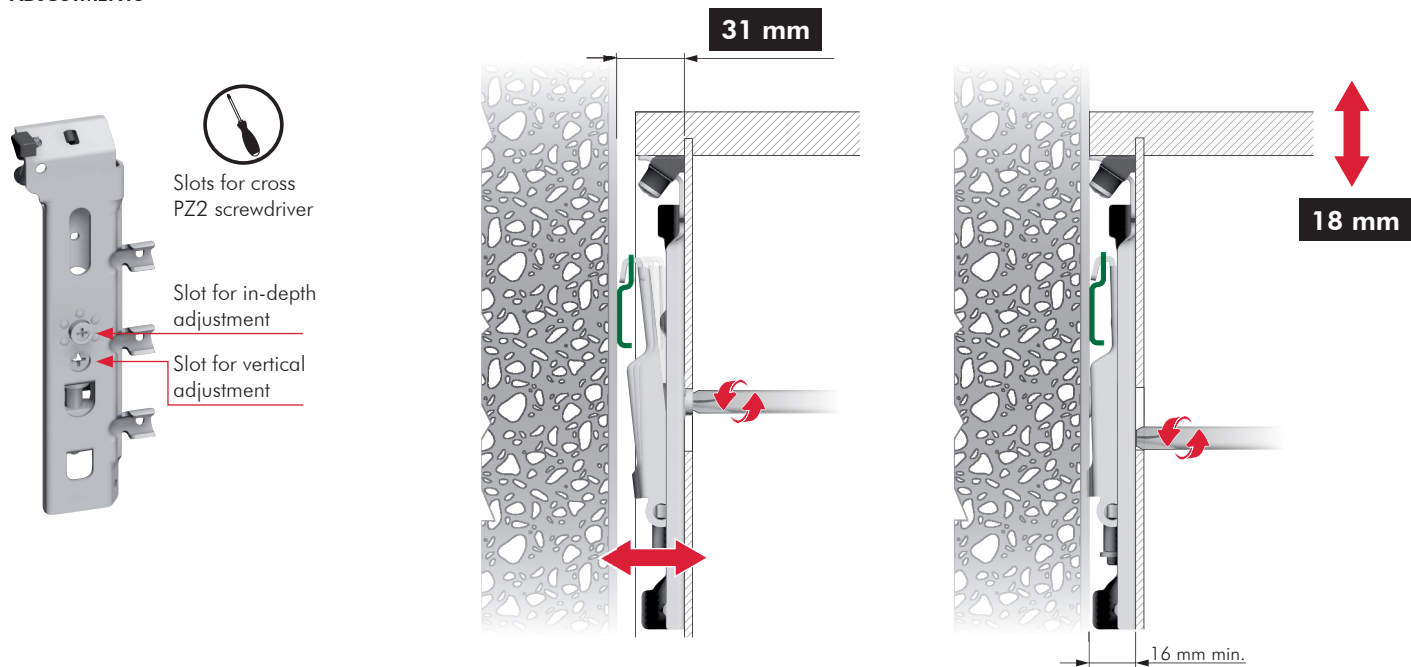
INSTALLATION ON THE WALL

COVER CAP INSERTING



It is the responsibility of the customer:
- to ensure that the wall is of a suitable quality to hold the unit fixing in place.
- to use the proper hardware fittings according to the construction of the wall.

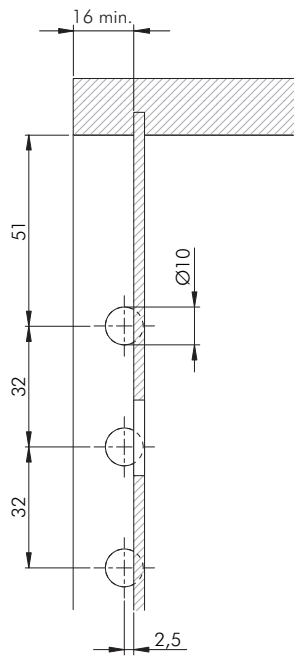
ADJUSTMENTS





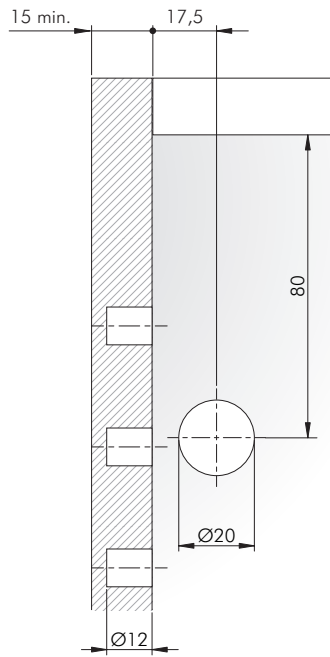
DRILLING PLAN FOR APC 3 FIXED UNDER THE CABINET TOP

SIDE PANEL AND SERVICE GAP

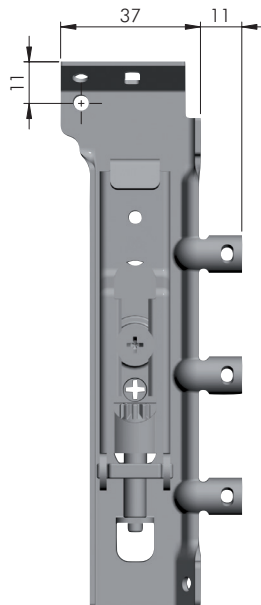
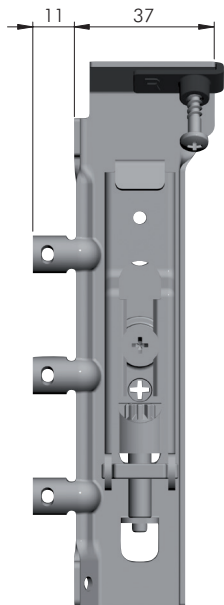
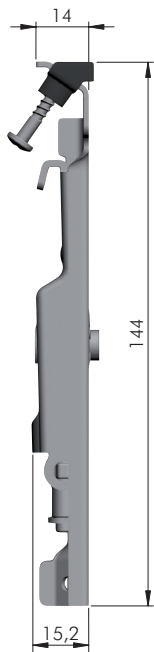
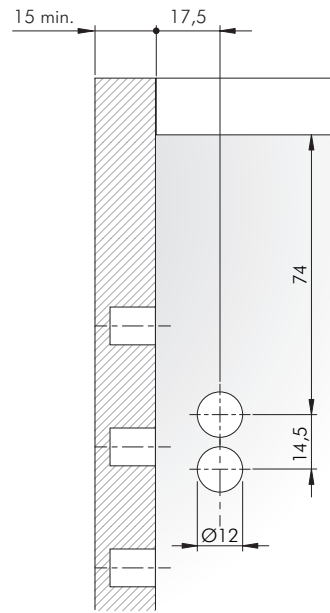


BACK PANEL

APC cover cap $\text{Ø}20$



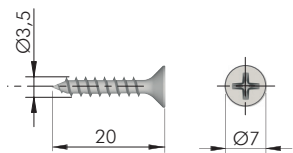
APC cover cap double hole $\text{Ø}12$



	= PZ2		= 100 pcs.
ZA	ST		
65210040ZN			
65210050ZN			

APC 3 FIXING ACCESSORY

12



			= PZ2		
ST					= 5000 pcs.
60101410ZN					