



LIBRA H1 - H2 - H3 - H4 LIVING SETTINGS



LIBRA H1



LIBRA H1



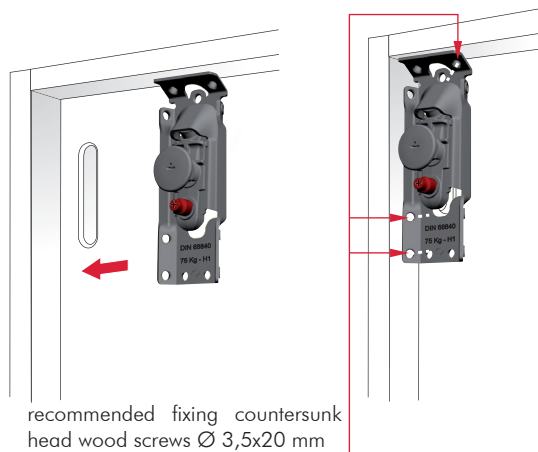
EN 15939:2019 - 65 Kg per piece



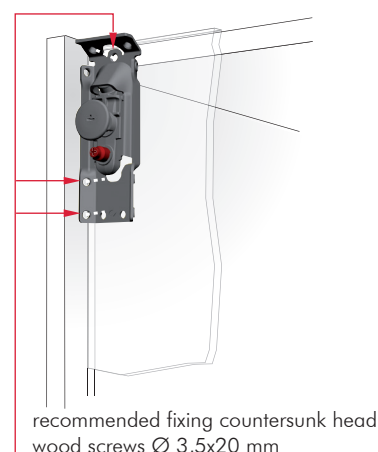
PATENTED
Certificates available on request.



INSTALLATION UNDER THE CABINET TOP

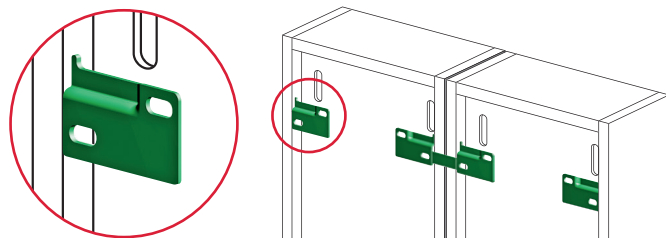


ALTERNATIVE INSTALLATION



INSTALLATION ON THE WALL

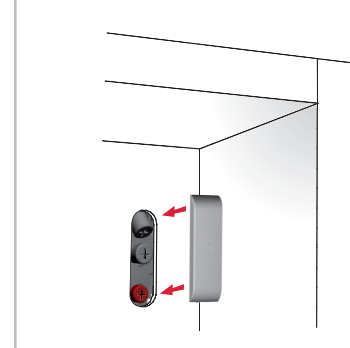
- For details refer to "LIBRA WALL PLATES"



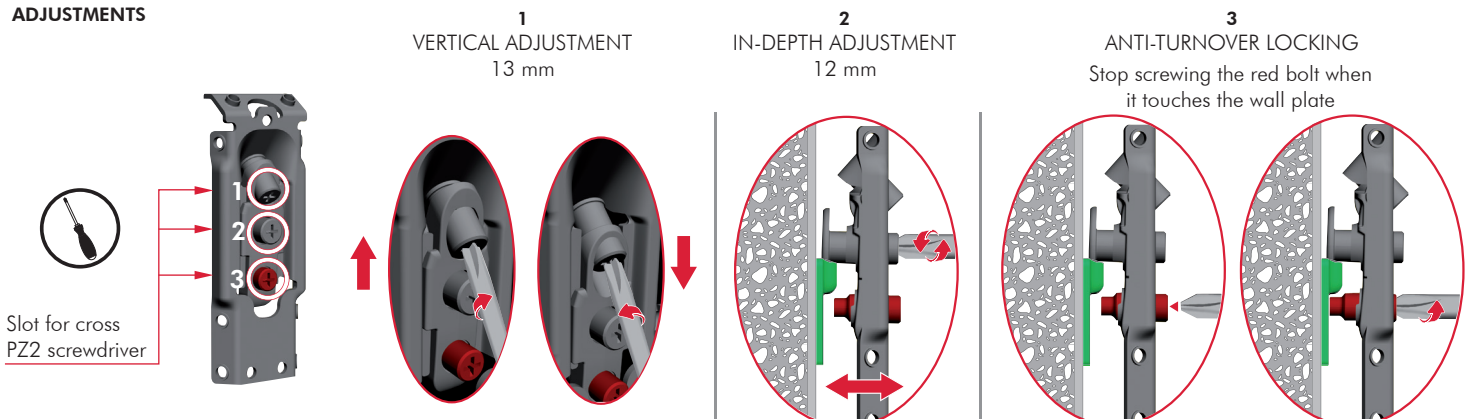
It is the responsibility of the customer:
- to ensure that the wall is of a suitable quality to hold the unit fixing in place.
- to use the proper hardware fittings according to the construction of the wall.
For more specific information, please refer to the WARNINGS section at the end of the catalogue.

COVER CAP INSERTING

- For details refer to "LIBRA COVER CAPS"



ADJUSTMENTS



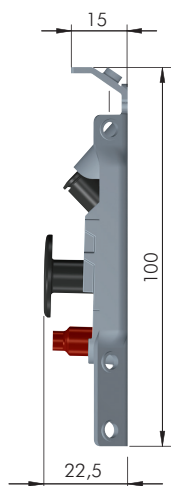
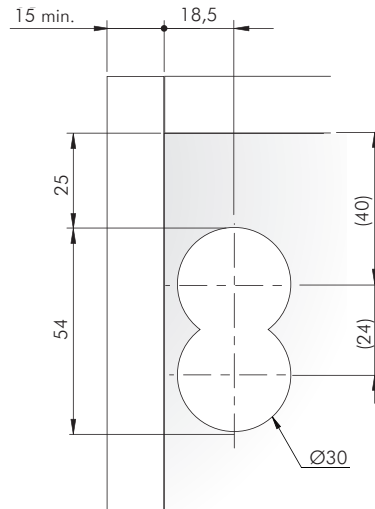
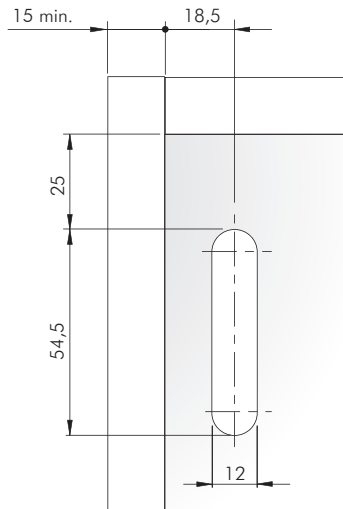
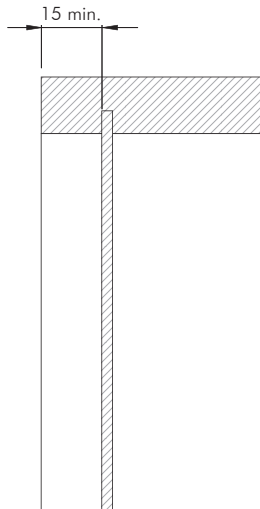
DRILLING PLAN FOR LIBRA H1 FIXED UNDER THE CABINET TOP

SIDE PANEL AND SERVICE GAP

BACK PANEL

Libra CC1-CC4-CC5 cover cap

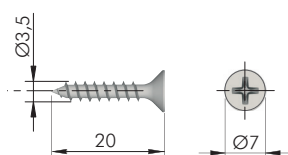
Libra CC2 cover cap



	= PZ2		= 100 pcs.
63420015ZN			

NOTE: for technical details about wall plates and cover caps please refer to the related sections "LIBRA WALL PLATES" on page 12.65 and "LIBRA COVER CAPS" on page 12.68.

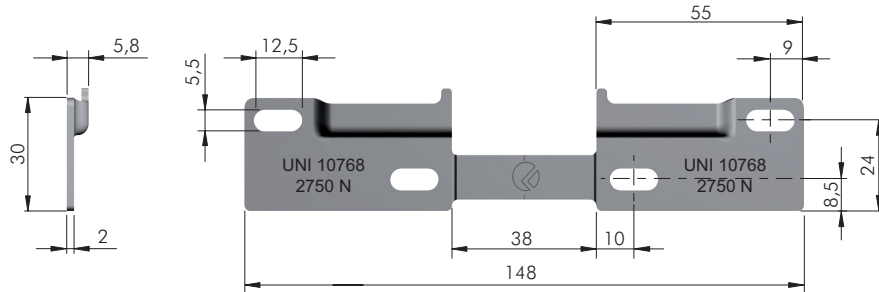
LIBRA H1 FIXING ACCESSORY



			= PZ2			= 5000 pcs.
60101410ZN						

LIBRA WALL PLATES

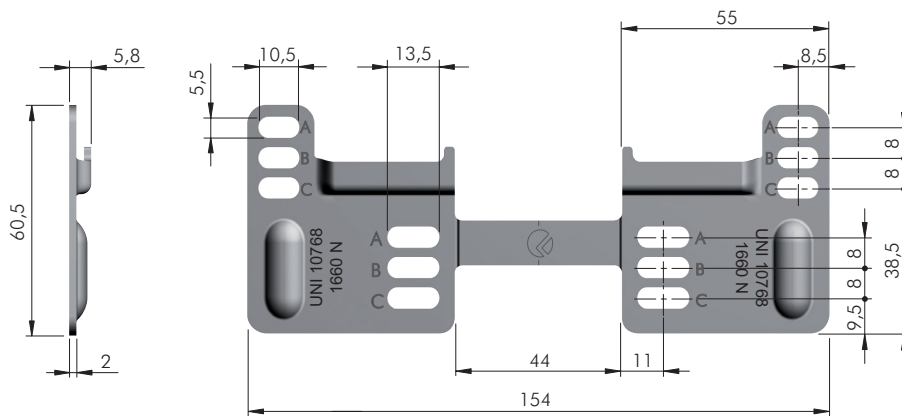
LIBRA WP1 Certificates available on request.



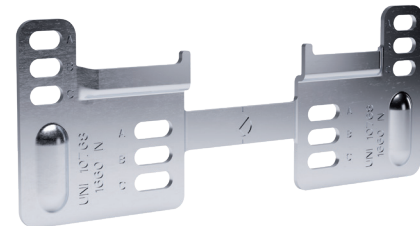
Suitable for wall cabinet units with LIBRA H1, H2, H3, H4.



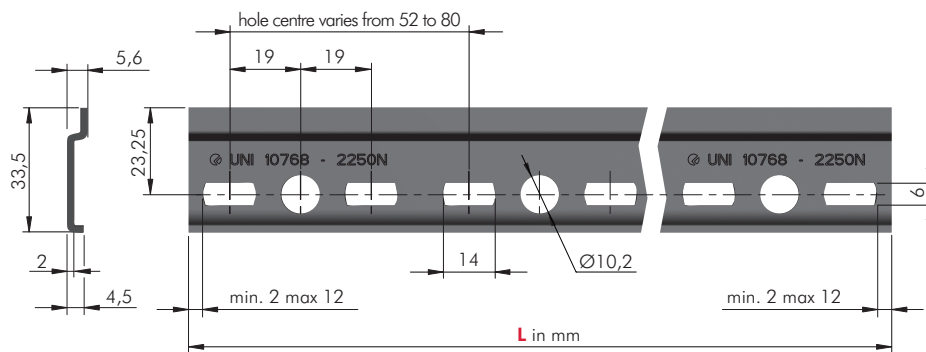
LIBRA WP2 Certificates available on request.



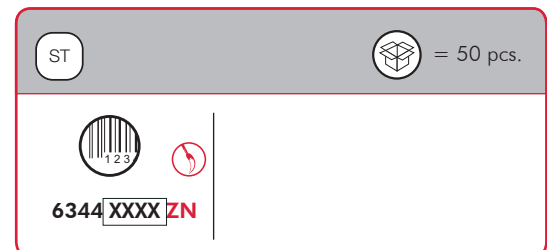
Suitable for wall cabinet units with LIBRA H1, H2, H3, H4.



LIBRA B3 Certificates available on request.



Suitable for wall cabinet units with LIBRA H1, H2, H3, H4.



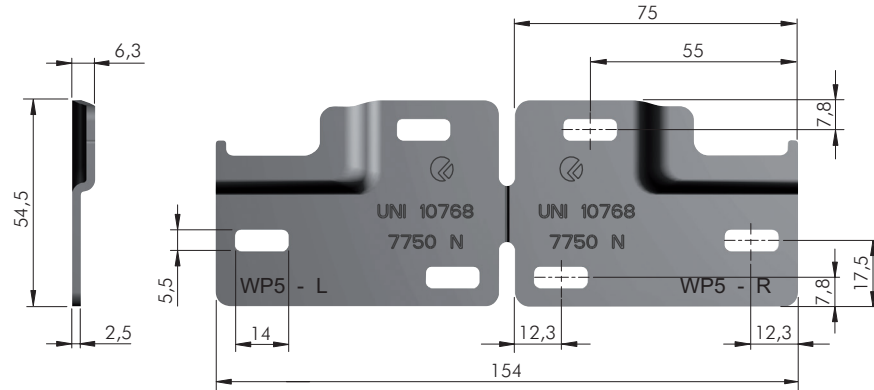
6344 XXXX **ZN**

L = on request

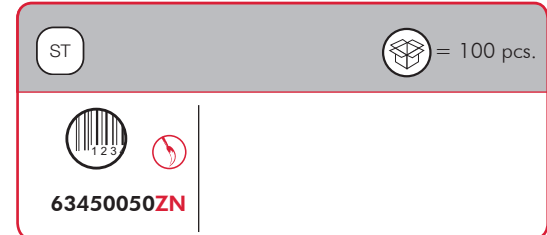
LIBRA WP5



Certificates available on request.



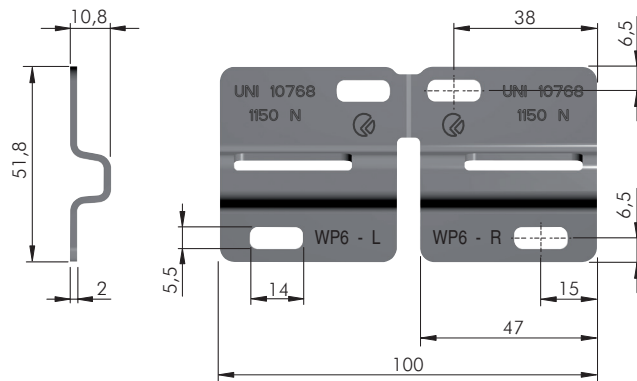
Suitable for base units with LIBRA H6, H7, H11.



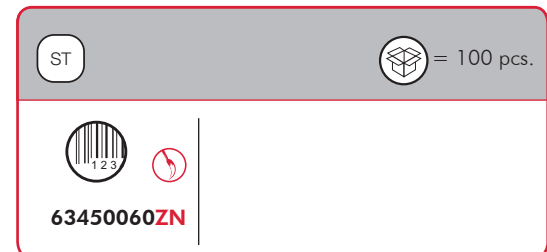
LIBRA WP6 FOR SERVICE GAP 20 mm MINIMUM



Certificates available on request.



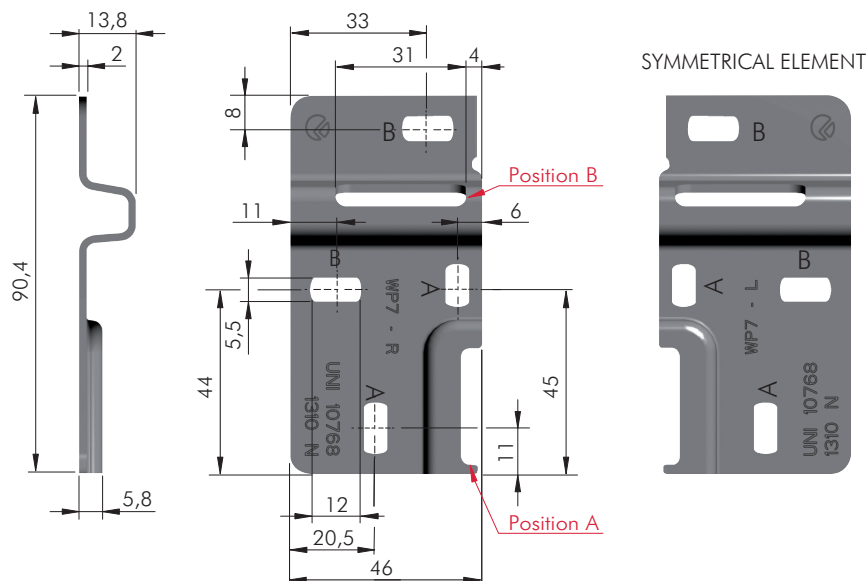
Suitable for wall cabinet units with LIBRA H1, H2, H3, H4.



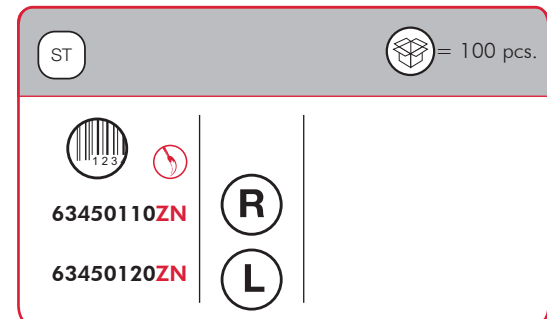
LIBRA WP7



Certificates available on request.



Suitable for wall cabinet units with LIBRA H1, H2, H3, H4.



Position A: standard application for regular walls.

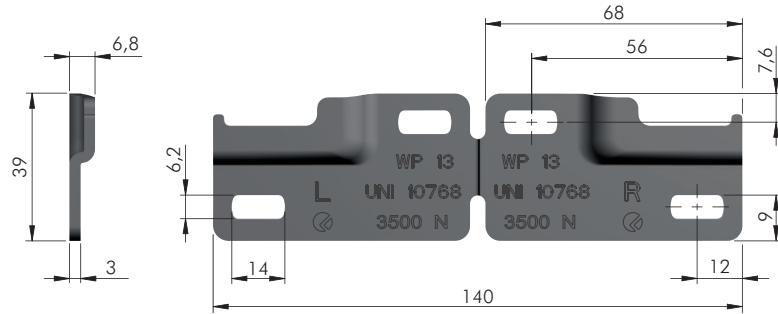
Position B: specific application for wall tiles thicker than 8mm.

HANGERS

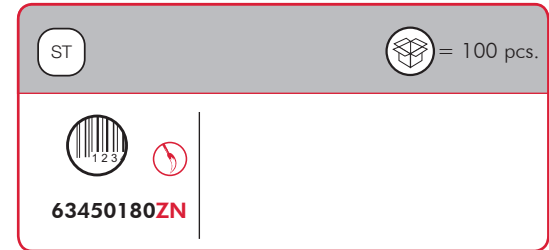
LIBRA WP13



Certificates available on request.



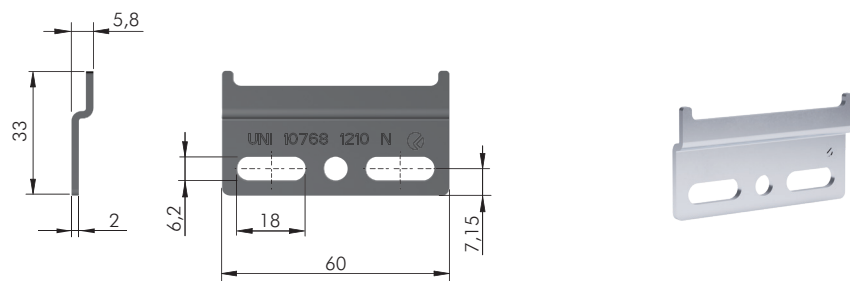
Suitable for base units with LIBRA H11.



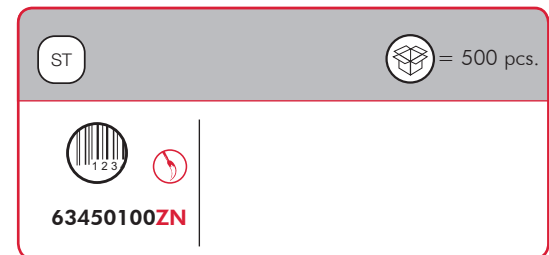
WALL PLATE



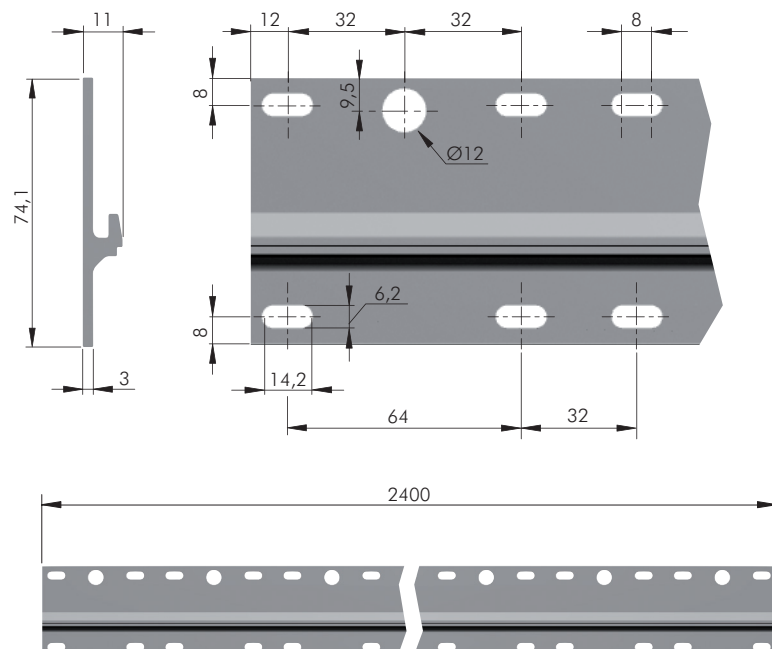
Certificates available on request.



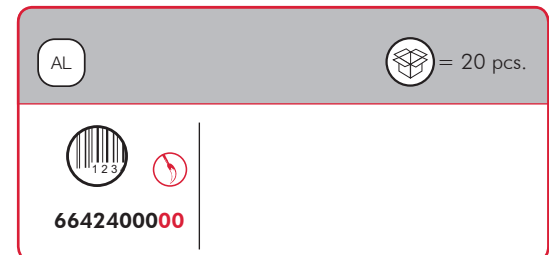
Suitable for wall cabinet units with LIBRA H1, H2, H3, H4.



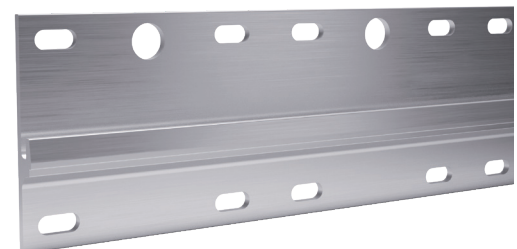
LIBRA ALUMINIUM WALL BAR



Suitable for base units with LIBRA H6, H7, H11.



NOTE: The length of the wall bar is 2400 mm.
The use of this article is possible only with a service gap of 24 mm.

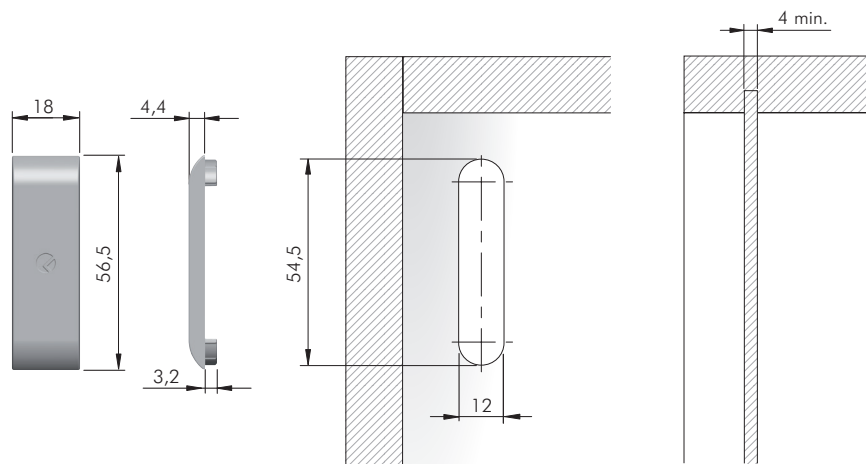




LIBRA COVER CAPS

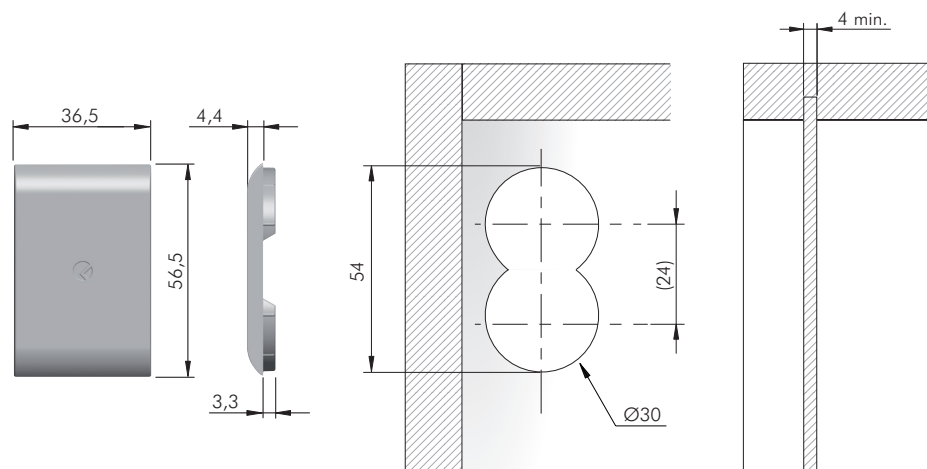


LIBRA CC1 COVER CAP



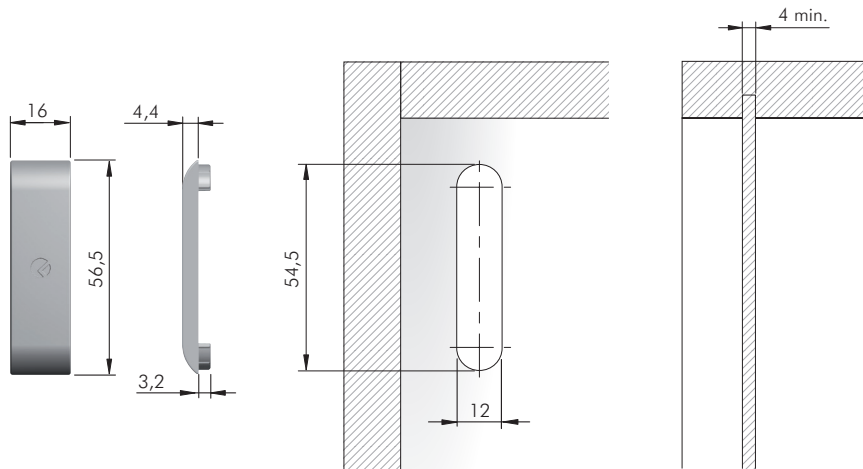
EP	+
	= 3000 pcs.
63461010AB	

LIBRA CC2 COVER CAP



EP	+
	= 2000 pcs.
63463010AB	

LIBRA CC4 COVER CAP



LIBRA CC5 COVER CAP

