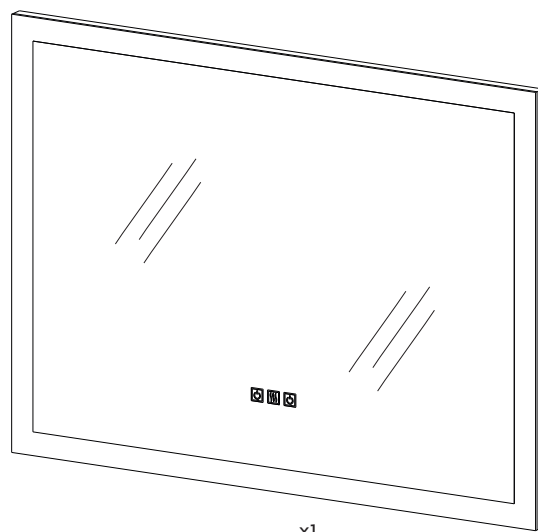
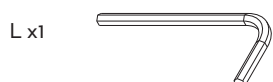
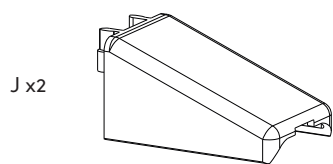
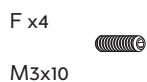
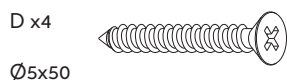
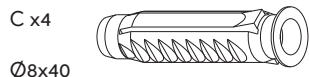
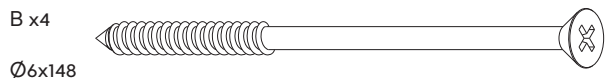
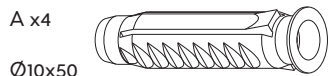
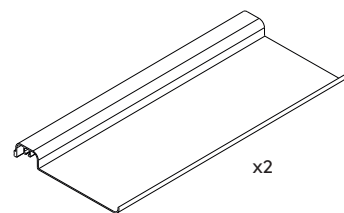


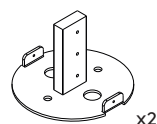
IO-D



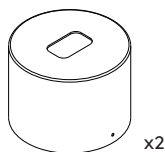
x1



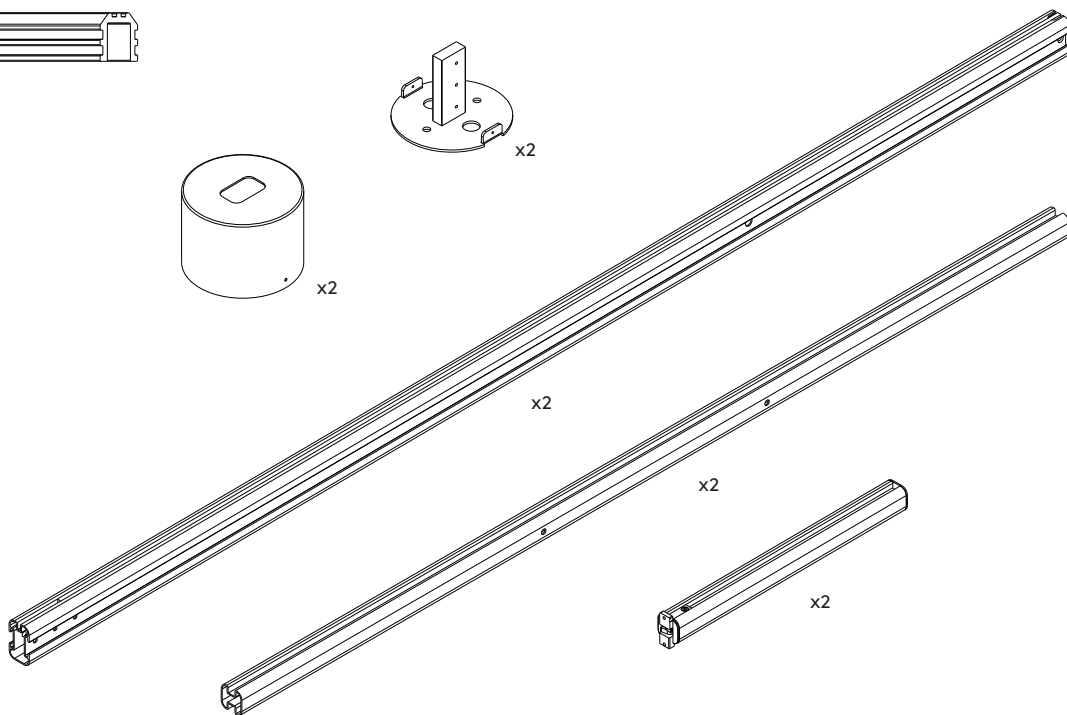
x2



x2



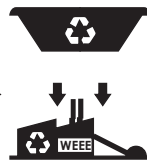
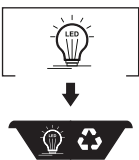
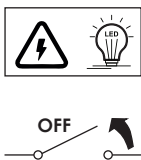
x2



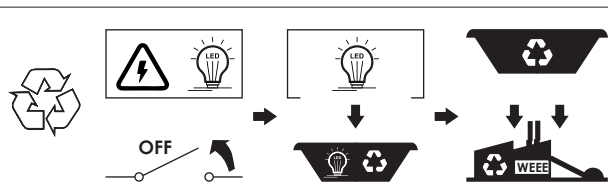
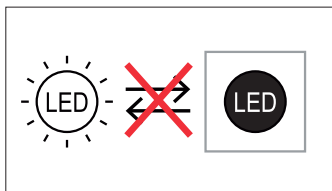
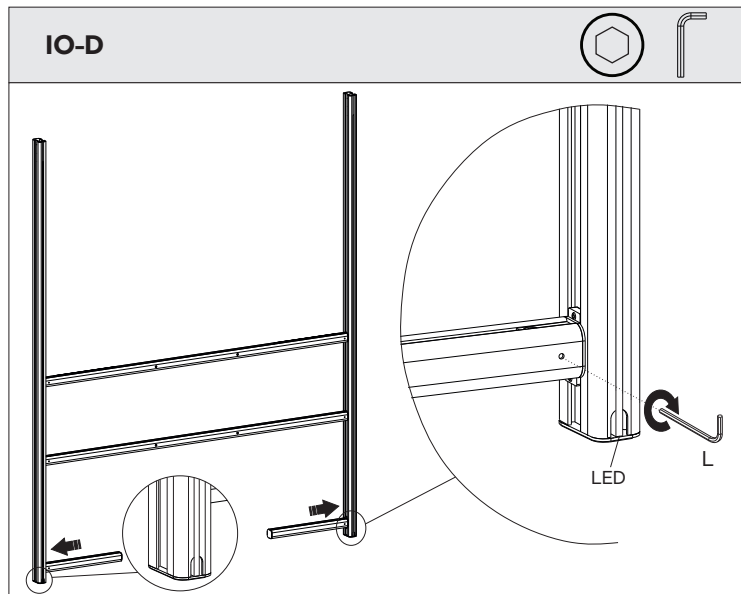
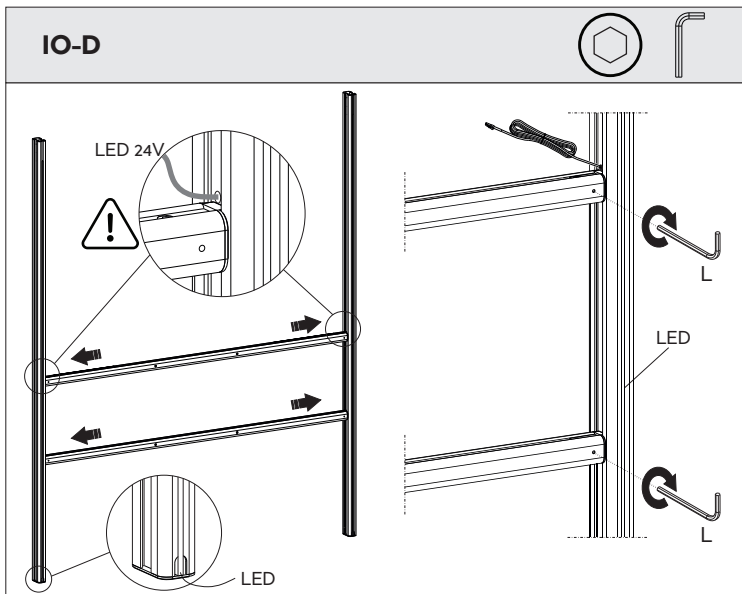
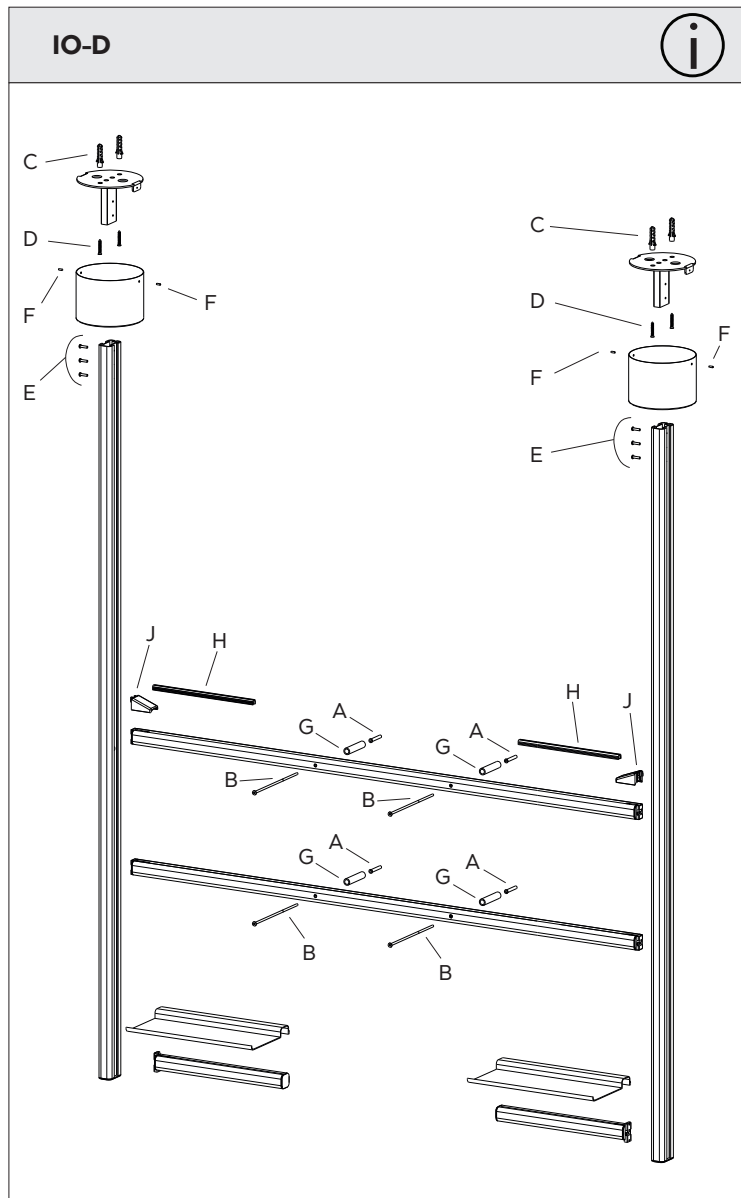
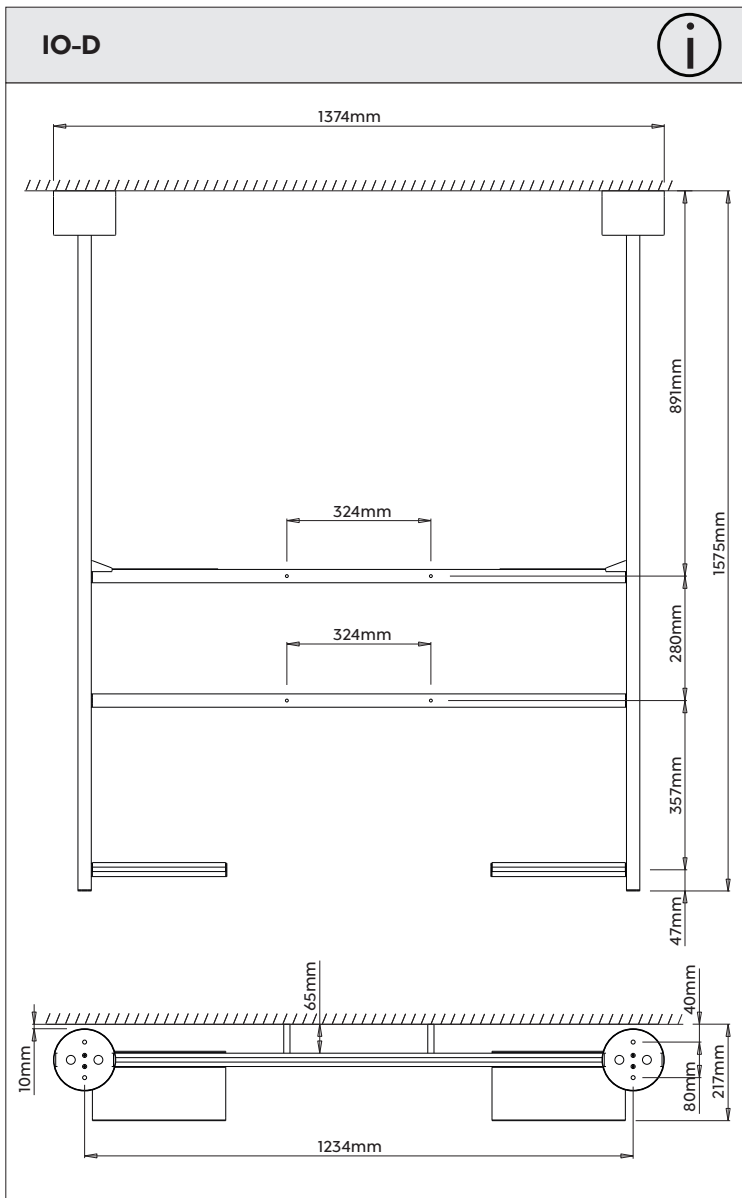
x2

x2

x2

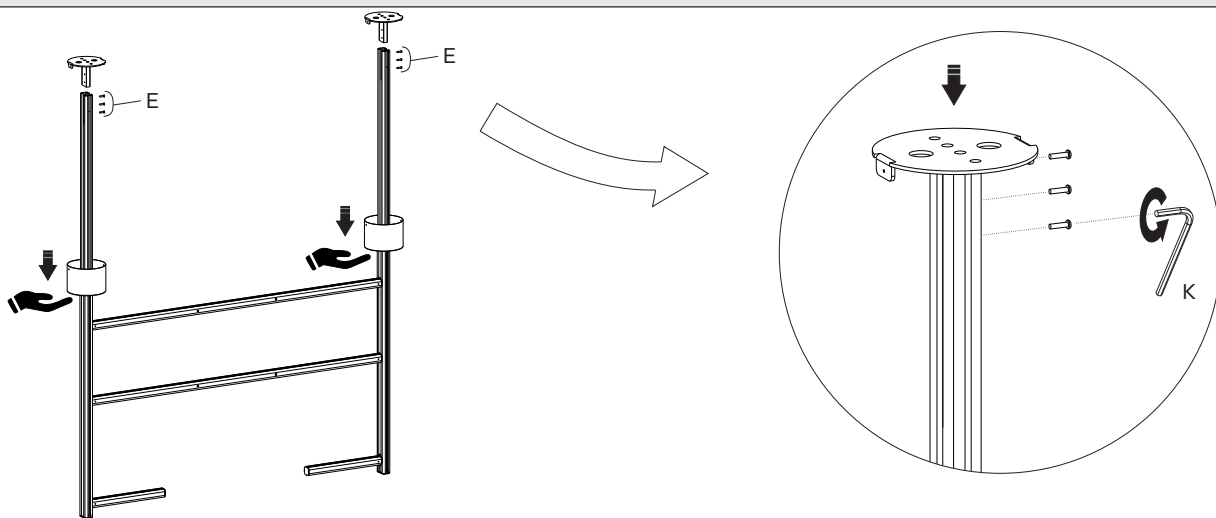


IO-D

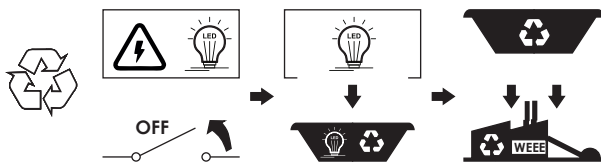
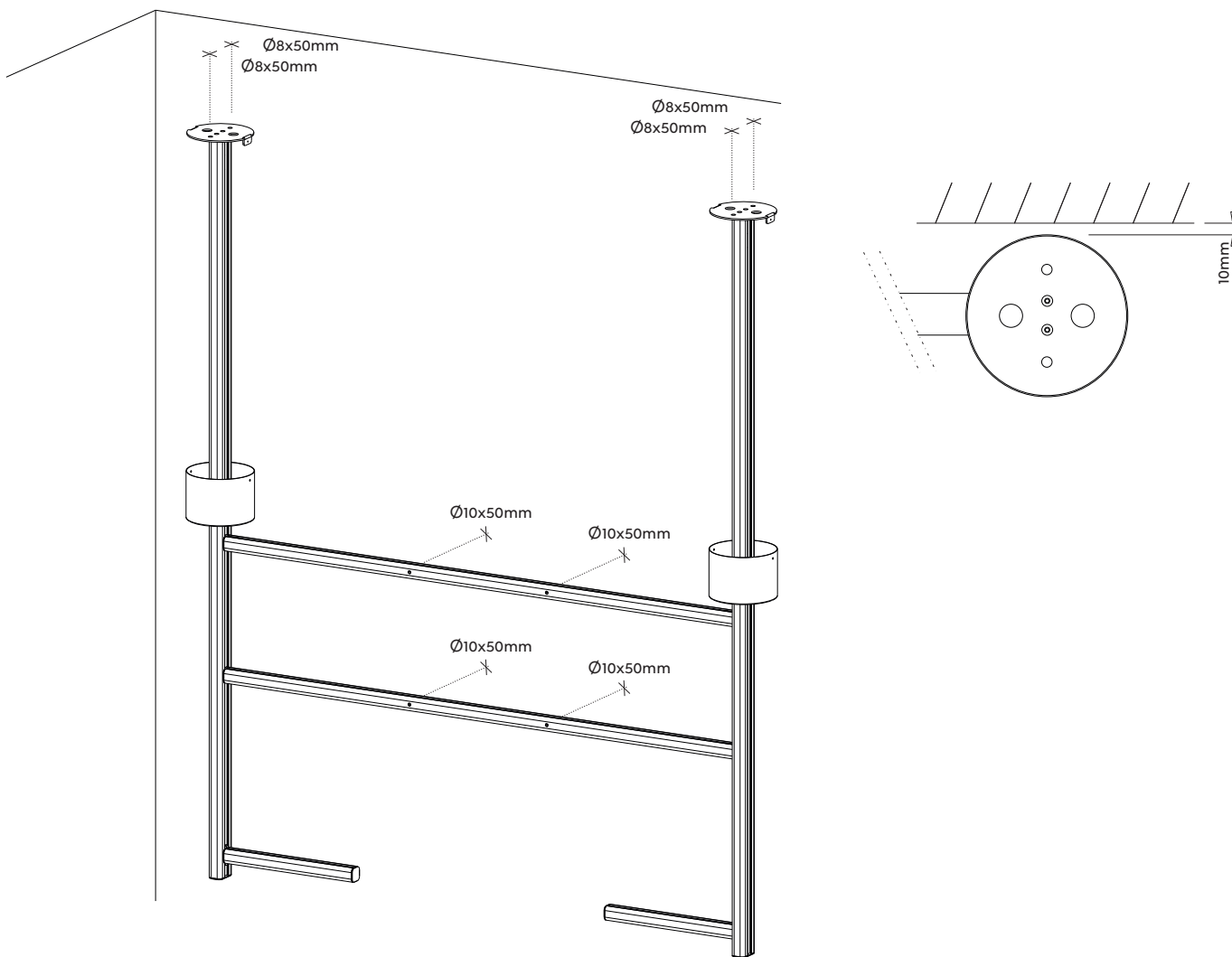


IO-D

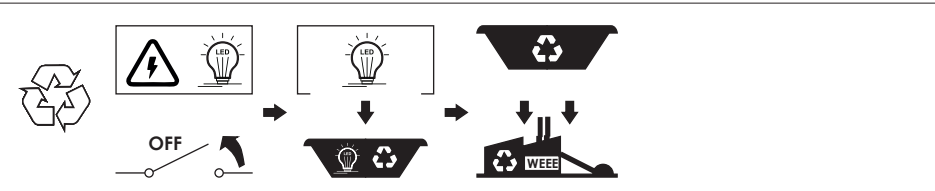
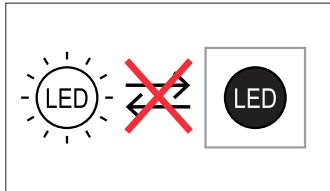
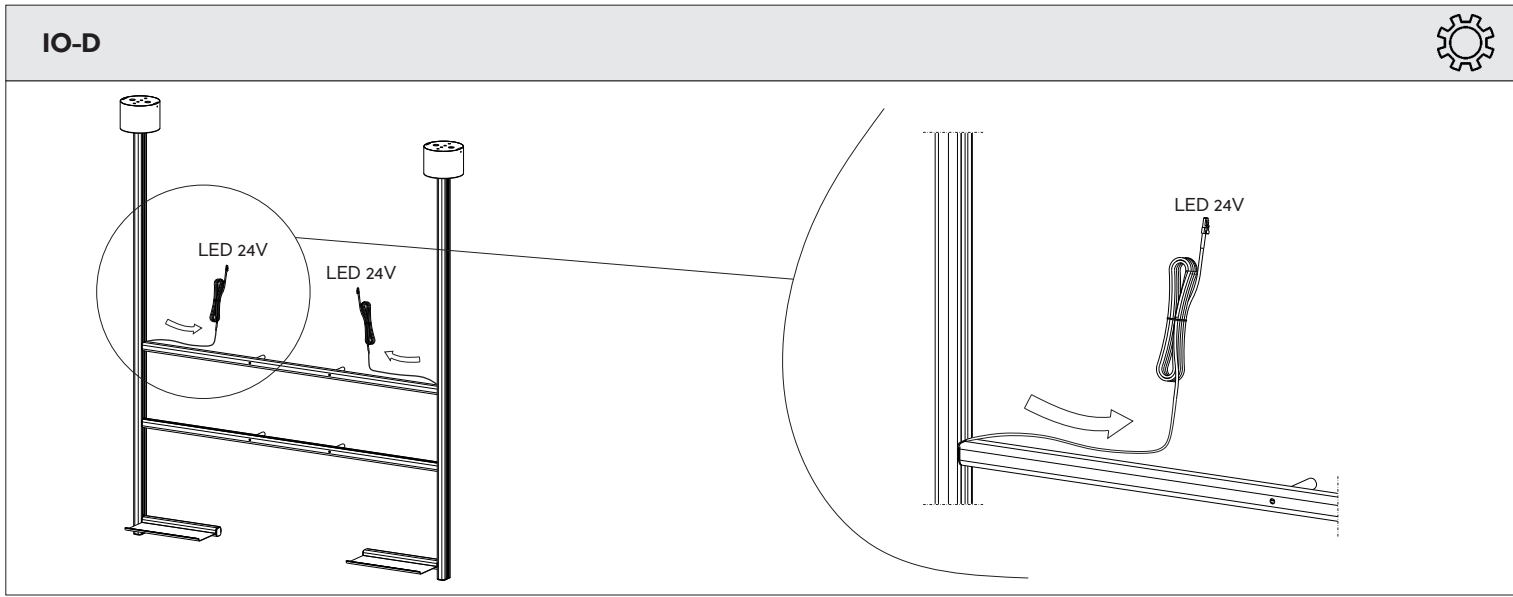
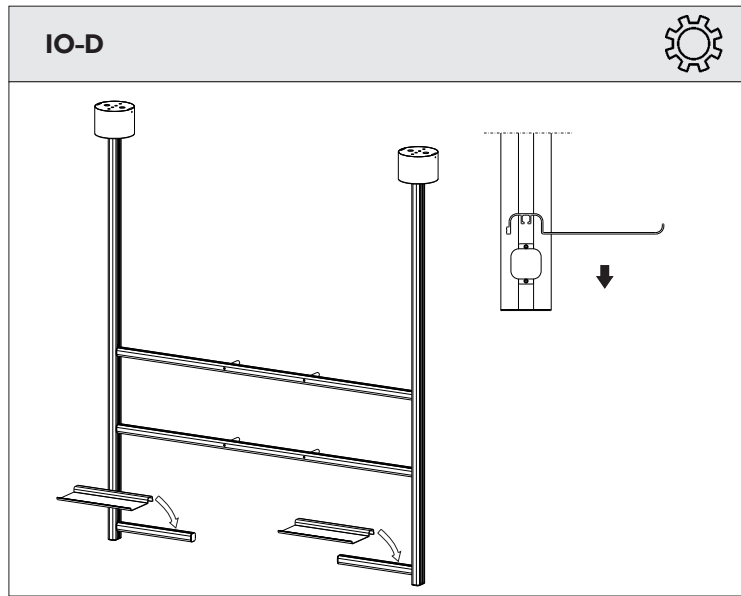
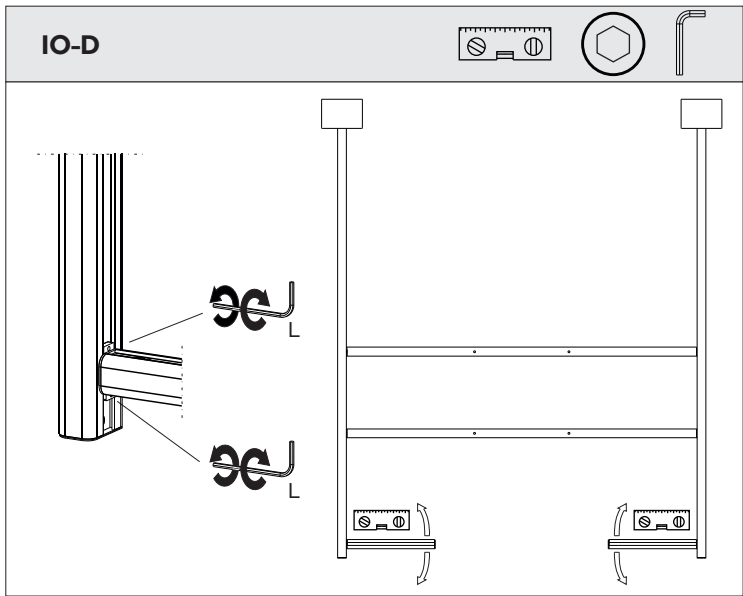
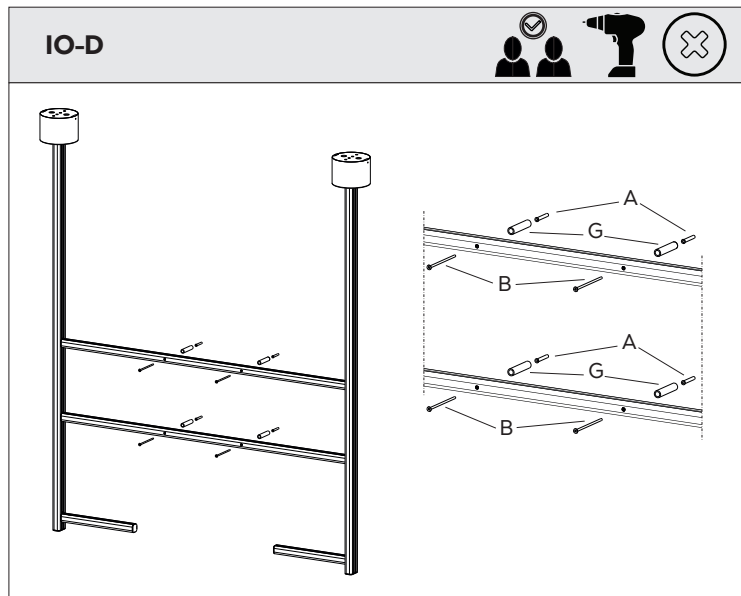
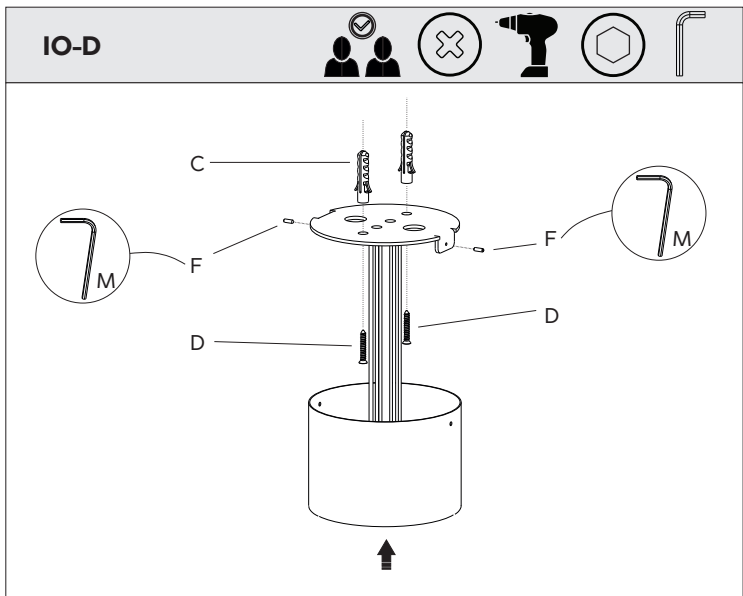
IO-D



IO-D

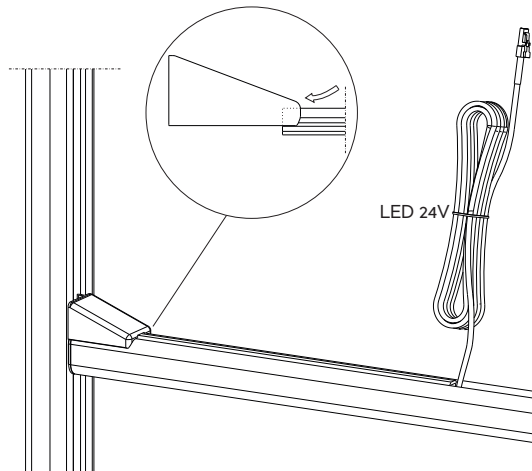
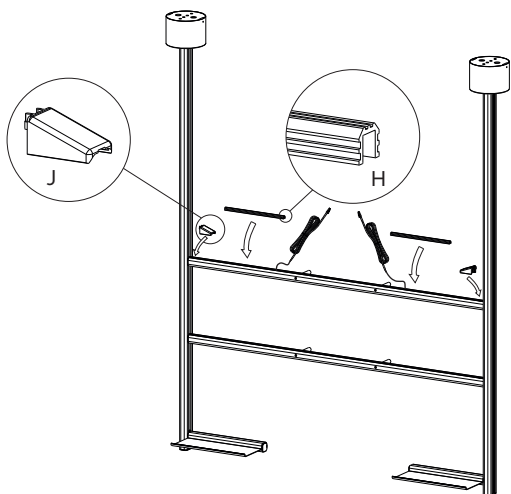


IO-D

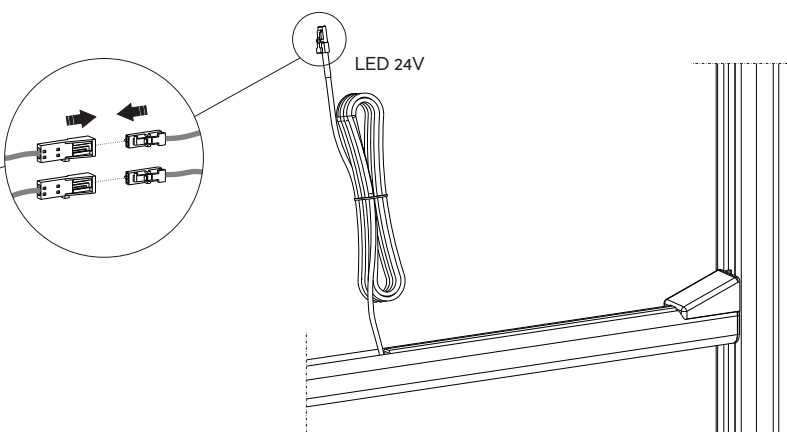
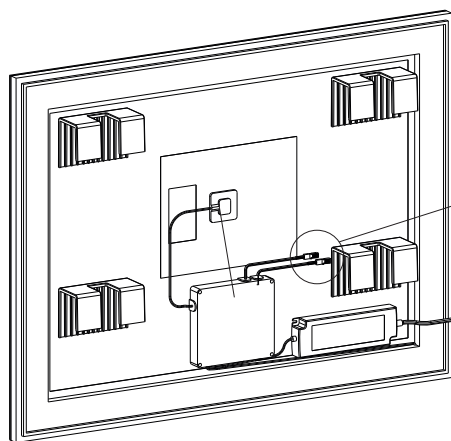




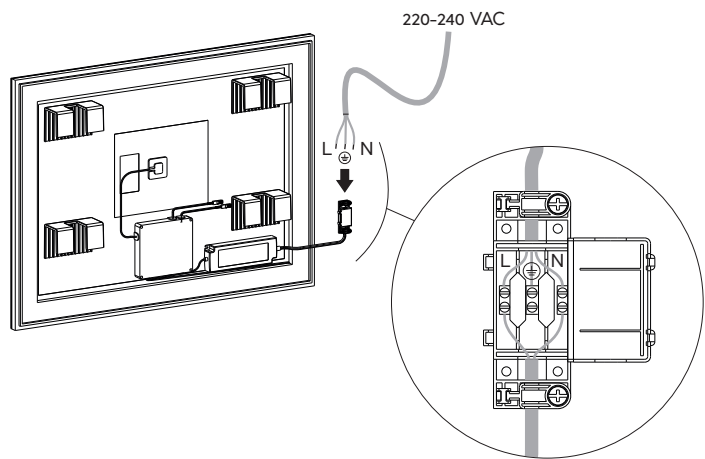
IO-D



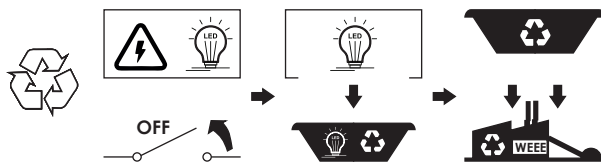
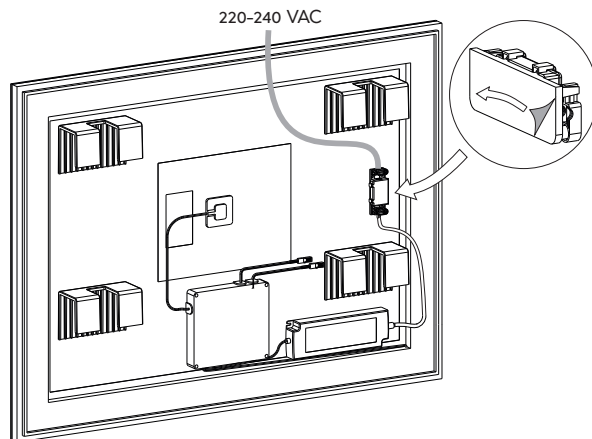
IO-D



IO-D

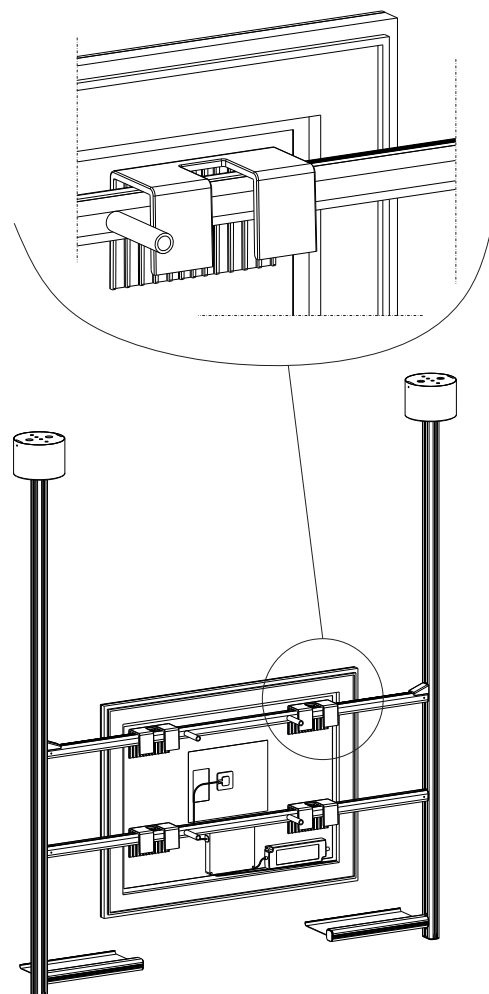
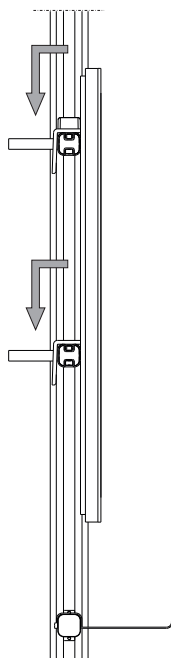
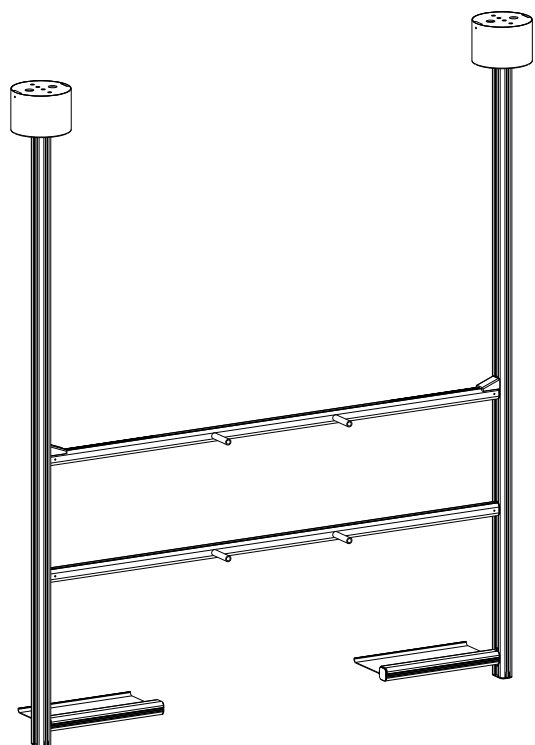


IO-D

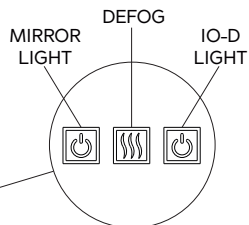
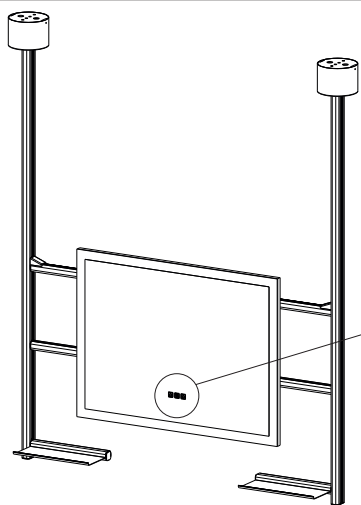


IO-D

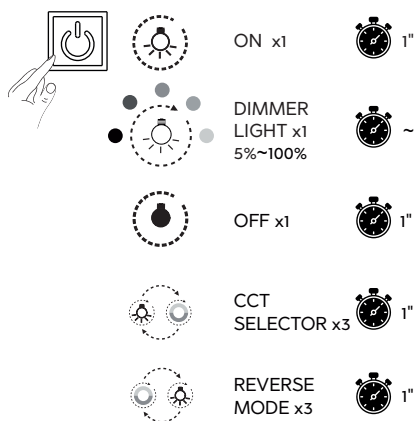
IO-D



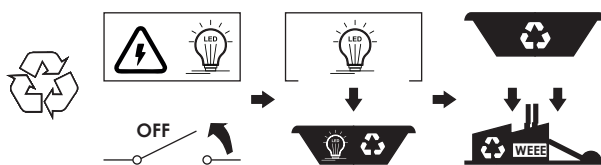
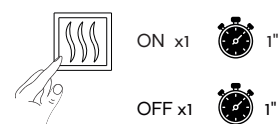
IO-D



LIGHT



DEFOG



IO-D