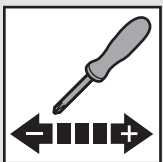
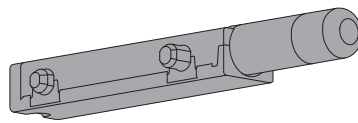
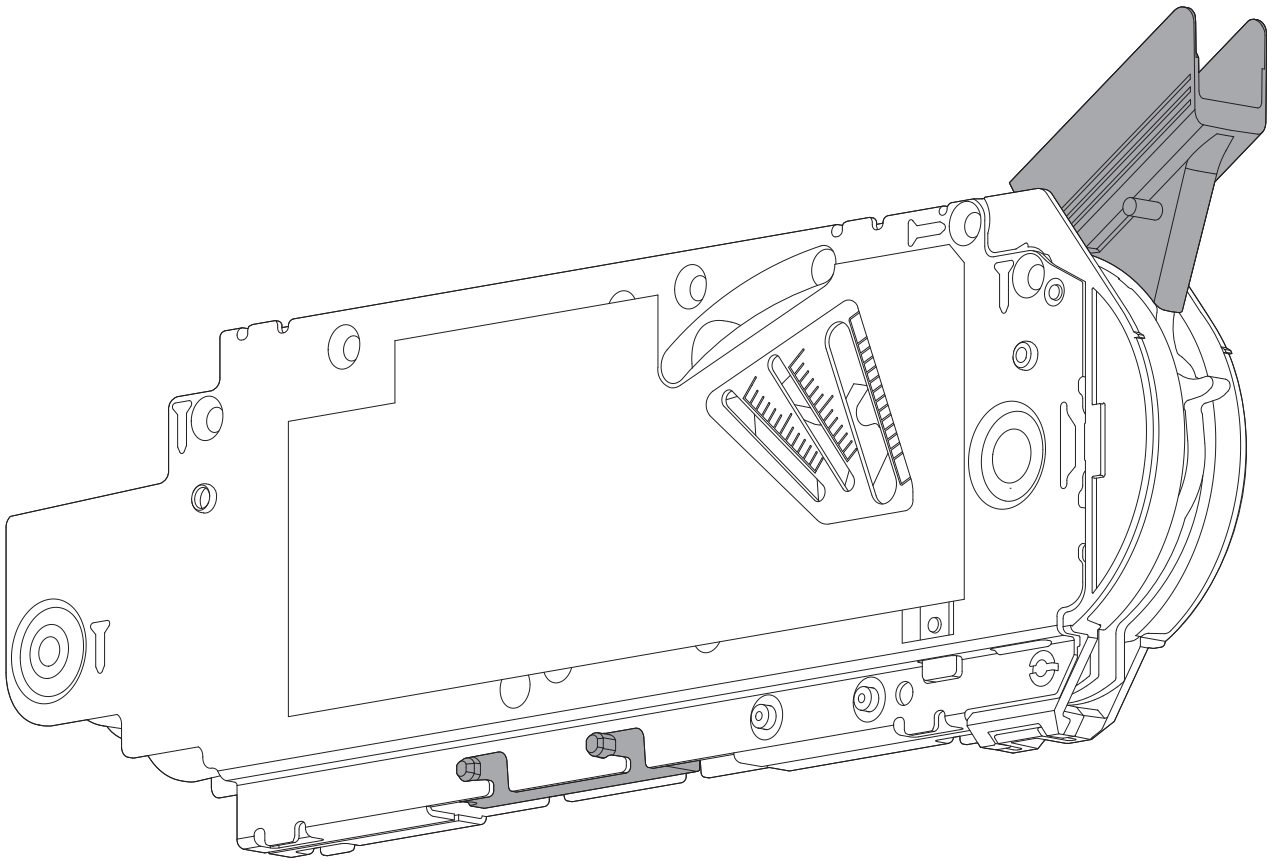


BLUMOTION

by Blum



AVENTOS BLUMOTION

www.blum.com

The Blum logo, featuring a stylized arrow pointing upwards and to the right, followed by the word "blum" in a bold, lowercase sans-serif font, with a registered trademark symbol (®) to the upper right.

