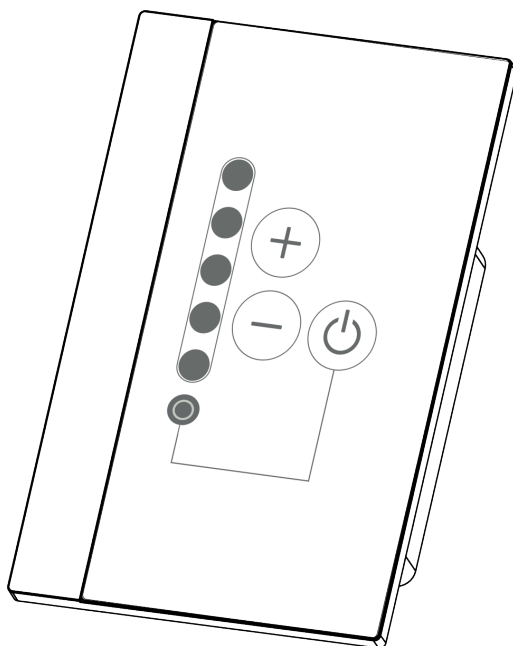


Infrared control unit

Infrabox basic S

INSTRUCTIONS FOR INSTALLATION AND UNS
English



EN

DE

FR

Infrabox basic S set

1-035-705 / IRB-BS-S

Infrabox basic S white set

1-039-847 / IRB-BS-W-S

Table of Contents

1. About this instruction manual	4
2. Important information for your safety	5
2.1. Intended use	5
2.2. Safety information for the installer	7
2.3. Safety information for the user	8
3. Product description	9
3.1. Scope of delivery	9
3.2. Optional accessories	9
3.3. Product features	9
4. Installation	11
4.1. Installing the power supply unit	11
4.2. Installing the control unit	12
4.3. Installing the foil temperature sensor	14
5. Electrical connection	15
5.1. Connection area for sensor/control unit/seat sensor	15
5.2. Connection diagram for 230 V	16
5.3. Connecting the foil sensor (optional)	17
5.4. Connecting the seat sensor (optional)	17
5.5. Connecting the HV input (enable input)	17
5.6. Connecting the safety temperature limiter (optional)	17
5.7. Connecting the infrared heater / infrared plate	17

6. Commissioning	18
6.1. Operating mode	19
6.2. Operating type (infrared heater/infrared plate)	20
6.3. Operating time	21
6.4. Foil sensor	22
6.5. Seat time (optional for seat sensor)	23
6.6. On-time (I/O timer)	24
6.7. Leading/trailing edge phase control	26
6.8. HV input (enable input)	26
7. Testing	27
8. Operation	28
8.1. Description of control elements	28
8.2. Switching the infrared controller	29
8.3. Dimming function for the infrared heater/infrared plate	29
8.4. Seat sensor (optional)	29
9. Troubleshooting	30
9.1. Error messages	30
10. Cleaning and maintenance	31
10.1. Cleaning	31
10.2. Maintenance	31
11. Disposal	31
12. Technical data	32

1. About this instruction manual

Read these installation and operating instructions carefully and keep them close to the infrared control unit. This ensures that you can refer to information on safety and operation at any time.



These installation and operating instructions can also be found in the downloads section of our website: www.sentiotec.com/downloads.

Symbols used for warning notices

In these instructions for installation and use, a warning notice located next to an activity indicates that this activity poses a risk. Always observe the warning notices. This prevents damage to property and injuries, which in the worst case may be fatal.

The warning notices contain keywords, which have the following meanings:



DANGER!

Serious or fatal injury will occur if this warning notice is not observed.



WARNING!

Serious or fatal injury can occur if this warning notice is not observed.



CAUTION!

Minor injuries can occur if this warning notice is not observed.

ATTENTION!

This keyword is a warning that damage to property can occur.

Other symbols



This symbol indicates tips and useful information.



Do not cover



Read the operating instructions

2. Important information for your safety

The Infrabox Basic infrared controller has been produced in accordance with the safety regulations applicable for technical units. However, hazards may arise during use. Therefore adhere to the following safety information and the specific warning notices in the individual chapters. Also observe the safety information for the devices connected.

2.1. Intended use

The Infrabox Basic infra controller is used exclusively for controlling and operating the light/fan and infrared heater/infrared plate.



The Infrabox infrared controller is suitable for use with intrinsically safe infrared heaters and infrared plates. If no intrinsically safe products are being used, a safety temperature limiter must be connected.

EN

Observe the instructions for this in the operating instruction manual. The Infrabox Basic infrared controller may only be used for controlling a maximum capacity of 3.5 kW.

Overview of the operating modes:

Switchable: up to 3.5 kW

Half-wave control (dimnable): up to 1.3 kW

Leading edge phase control (dimnable): up to 350 W

Suitable infrared heaters: DIR-350-R, WIR-350-R, DIR-500-R, WIR-500-R, DIR-750-R, WIR-750-R, DIR-1300-R, WIR-1300-R, ECO-350-R, ECO-350-G, ECO-500-R, ECO-500-G, ECO-750-R, O-IRC-W

Suitable infrared plates: IR-WP-175, IR-WP-100, IR-WP-390, IR-WP-510, IR-WPHL-510, IR-WPHL-100, IR-WPHL-390, IR-WPHL-175

ATTENTION!

Only use infrared plates in connection with the optional WC4-IRF-F foil sensors.

Before using the controller for the first time, check that the cabin is ready to operate.

- Only the mains connection cable provided or the optional one for Switzerland (IR-CP-CH) may be used.
- The power supply unit may only be installed and operated together with the control unit provided.

Any use exceeding this scope is considered improper use. Improper use can result in damage to the product, severe injuries or death.

2.2. Safety information for the installer

- The clamping connections may only be installed by a qualified electrician or similarly qualified person.
- The plugs connectors may be installed by the user.
- Installation and connection of the infrared control unit may only be performed when the power supply is disconnected.
- Also comply with the regulations applicable at the installation location.
- Before the infrared controller is switched on, make sure that no flammable objects have been hung over the infrared heater or on the infrared plate.
- For your own safety, consult your supplier in the event of problems that are not described in sufficient detail in the installation and operating instructions.

2.3. Safety information for the user

- The infrared controller must not be used by children under 8 years old.
- The infrared controller may be used by children age 8 years or older, by persons with limited psychological, sensory or mental capabilities or by persons with lack of experience/knowledge only when:
 - They are supervised.
 - They have been shown how to use the device safely and are aware of the hazards that could occur.
- Children must not play with the device.
- Children under 14 years of age may only clean the device if they are supervised.
- For health reasons, do not use the infrared cabin if you are under the influence of alcohol, medication or drugs.
- Before the infrared controller is switched on, make sure that no flammable objects have been hung over the infrared heater or on the infrared plate.
- For your own safety, consult your supplier in the event of problems that are not described in sufficient detail in the user instructions.

3. Product description

3.1. Scope of delivery

- Infrabox basic control unit
- Infrabox basic power unit
- Mains connection cable 2.5 m (IR-CP-EU)
- Installation material
- Installation instruction manual
- HV plug

3.2. Optional accessories

- Foil sensor (WC4-IRF-F) incl. 5 m connection cable
- Seat sensor (IRB-F-S) incl. 1 m connection cable
- Infrared heater plug (item no.: WC4-P-RA)
- Infrared mains connection cable 2.5 m, Switzerland (item no.: IR-CP-CH)

3.3. Product features

The Infrabox infrared controller features the following functions:

- Switching the infrared heater or infrared plate with a heating capacity of max. 3.5 kW
- Controlling (dim) the infrared controller in 5 levels with the half-wave control unit (up to 1.3 kW)
- Controlling (dim) the infrared controller in 5 levels with the leading edge phase control (up to 350 W)
- Seating sensor function (optional accessories)
- Timer function
- Remote start function



The Infrabox Basic infrared controller is suitable for use with intrinsically safe infrared heaters and infrared plates. If no intrinsically safe products are being used, a safety temperature limiter must be connected.

- If infrared heaters are connected, they must have a safety temperature limiter. For suitable infrared heaters see 2.1. Intended use on page 5.
- If infrared plates are connected, the WC4-IRF-F foil sensors must be used and activated (see 4.3. Installing the foil temperature sensor on page 14 and 5.3. Connecting the foil sensor (optional) on page 17). For suitable infrared plates see 2.1. Intended use on page 5.
- Automatic heating time limit
The infrared controller shuts down automatically after the maximum heating period for safety reasons (see also 6.3. Operating time on page 21).



The EN 60335-2-53 specifies a maximum heating period limit of 6 hours for private infrared cabins. For infrared cabins in hotels, apartment blocks and similar locations, a maximum heating period limit of 12 hours is permissible. Extending the heating period limit to 18 hours or 24 hours is only permitted in public infrared cabins.

4. Installation

4.1. Installing the power supply unit

The power supply unit is installed on the cabin roof (Fig. 1), on the cabin wall or in another suitable location in accordance with the ambient conditions. The power is supplied with a mains connection cable and safety plug.

ATTENTION!

Damage to the unit

- Install the power supply unit in a dry place. Maintain a maximum ambient temperature of 40 °C and a maximum humidity of 95%.
 - A free circulation of air must be ensured to cool the power supply unit. The power supply unit must not be covered by any objects or materials.
-

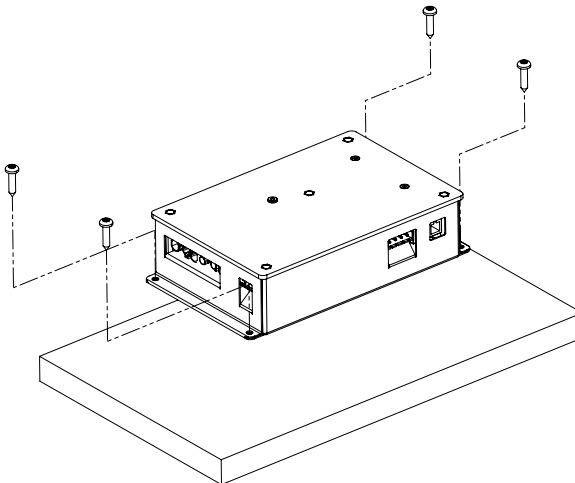


Fig. 1 Installing the power supply unit

1. Screw the Infrabox power supply unit housing to the cabin ceiling or the cabin wall with the four wooden screws provided (16 mm long).

4.2. Installing the control unit

The control unit [2] of the infrared controller is installed on the outside wall of the cabin with a maximum clearance of 10 metres from the power supply unit [1] (see Fig. 2). For the installation, a standard jigsaw is required to cut out the recess for the control unit. The operating unit can be installed both inside and outside the cabin.

*For installation inside a sauna cabin, maintain a distance of at least 30 cm to the ceiling. (see Fig. 2 Control panel position on page 12).

ATTENTION!

Damage to the unit

- The control unit [2] of the infrared controller is splashproof (protection class IP X4).
 - Work on the control panel may only be carried out using a standard screwdriver. Using a cordless screwdriver may irreparably damage the housing.
-

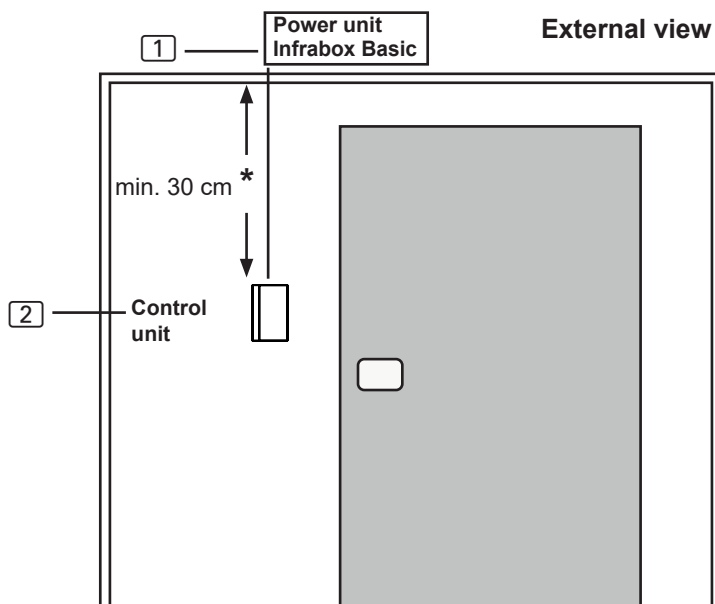


Fig. 2 Control panel position

* for assembly inside the cabin

1. Cut out the 60 x 48 mm recess using a jigsaw, for example.
2. Provide cable guides for the connecting cable.
3. Screw the housing to the cabin wall by screwing the 4 wood screws supplied through the hole.

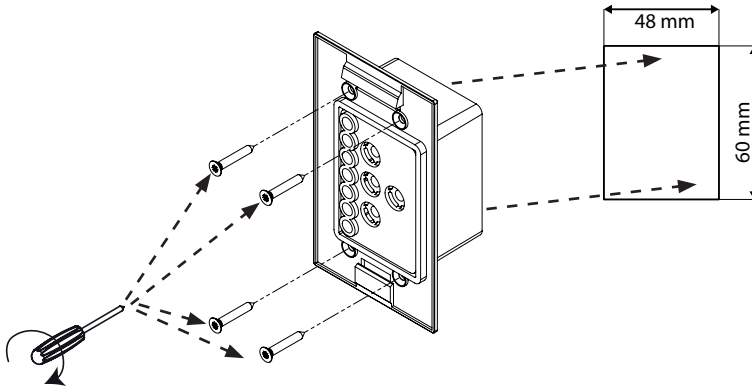


Fig. 3 Installing the control unit

4. The front panel of the control unit is inserted with slight pressure into the housing. Ensure that the lower catches engage noticeably.

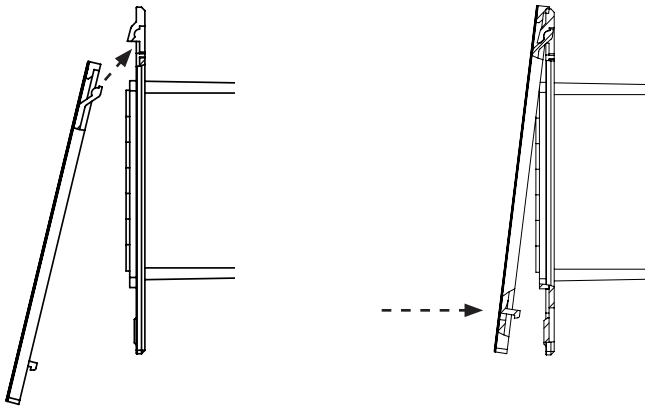



Fig. 4 Installing the control unit

5. Connect the 4-pin plug to the RJ11 socket on the control unit.

4.3. Installing the foil temperature sensor

 The foil temperature sensor is only required for infrared plate heating systems. Observe the details of the plate heating system manufacturer here.

The foil temperature sensor is installed directly on the infrared heating plate and fixed with a cable strain relief (see Fig. 5: Installing the foil temperature sensor on page 14).

Install the sensor head **1** of the foil temperature sensor directly between the insulation and heating foil **4**.

1. Secure the foil temperature sensor with the strain relief **2** outside the foil area.
2. Lay the 2-pin cable **3** in the cabin wall and secure with cable ties.
3. A foil temperature sensor must be activated to use it (6.4. Foil sensor on page 22).

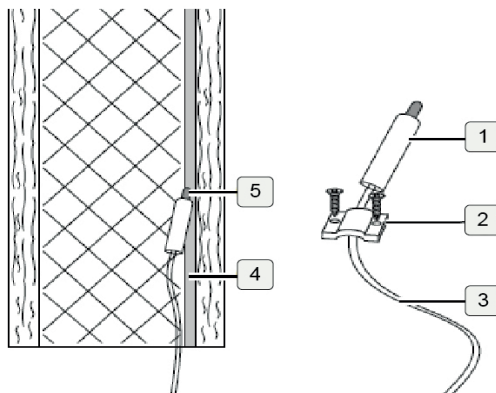



Fig. 5: Installing the foil temperature sensor

 If the foil temperature sensor is not fitted directly on the infrared plate, it will produce incorrect measured values. Install the foil temperature sensor directly on the foil.

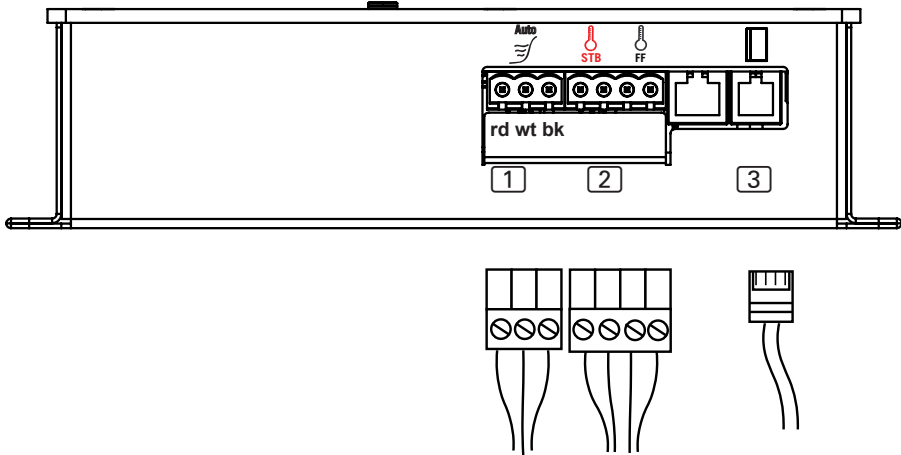
5. Electrical connection

Observe the following points when connecting the power to the infrared controller:

- Work on the infrared controller may only be performed when the power has been disconnected.

All components on the Infrabox Basic power supply unit are connected as shown in the figures below:

5.1. Connection area for sensor/control unit/seat sensor



1 Seat sensor (optional)

2 Foiltemperature sensor (FF)
Safety temperature limiter (STB)

3 Infrabox control unit

rd = red = rot

wt = white = weiß

bk = black = schwarz

Fig. 6: Connection area for sensor/control unit/seat sensor

5.2. Connection diagram for 230 V

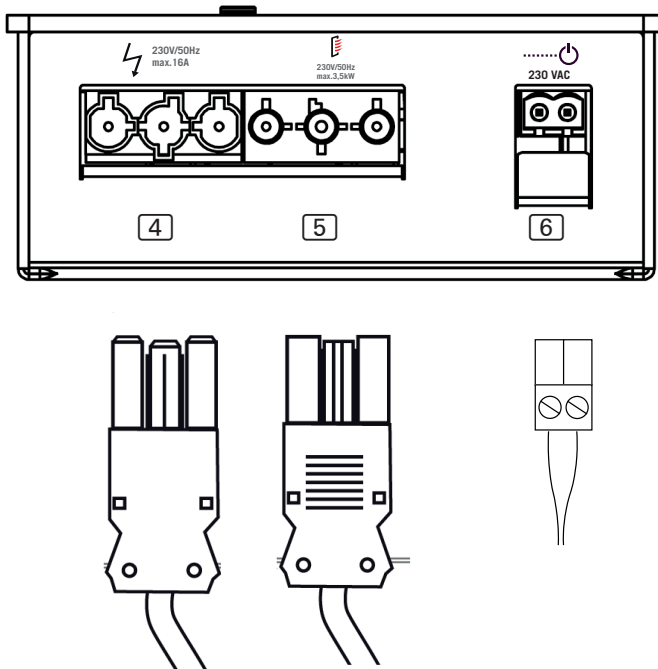


Fig. 7: Connection area for 230 V

- 4** Mains connection cable 230 V / 50 Hz max. 16 A
- 5** Infrared heater max. 3.5 kW
- 6** Remote start (230 V / 50 Hz)

**WARNING!****Personal injury**

- The clamping connections may only be installed by a qualified electrician or similarly qualified person.

5.3. Connecting the foil sensor (optional)

Clamp the foil sensor line on the 2-pin foil sensor plug to FF according to Fig. 6: Connection area for sensor/control unit/seat sensor on page 15.



5.4. Connecting the seat sensor (optional)

Clamp the seat sensor line to the 3-pin seat sensor plug according to Fig. 6: Connection area for sensor/control unit/seat sensor on page 15. Observe the instructions for this in the operating instruction manual.



5.5. Connecting the HV input (enable input)

The input becomes active by applying alternating current (230 V / 50 Hz). The input is connected using 2-pole HV plug according to Fig. 7: Connection area for 230 V on page 16.



EN

Refer to chapter 6.8. HV input (enable input) on page 26 to follow the exact step-by-step procedure.

5.6. Connecting the safety temperature limiter (optional)

When using infrared heaters and infrared plates without intrinsic safety, a safety temperature limiter is required and must be connected!

The STB line is connected as shown in Fig. 6: Connection area for sensor/control unit/seat sensor on page 15 to the STB connection.



5.7. Connecting the infrared heater / infrared plate

Connect the infrared heater/infrared plate to the connection provided according to Fig. 7: Connection area for 230 V on page 16.

Observe the instructions for this in the operating instruction manual.



6. Commissioning

By default, all function selection switches are set to OFF.

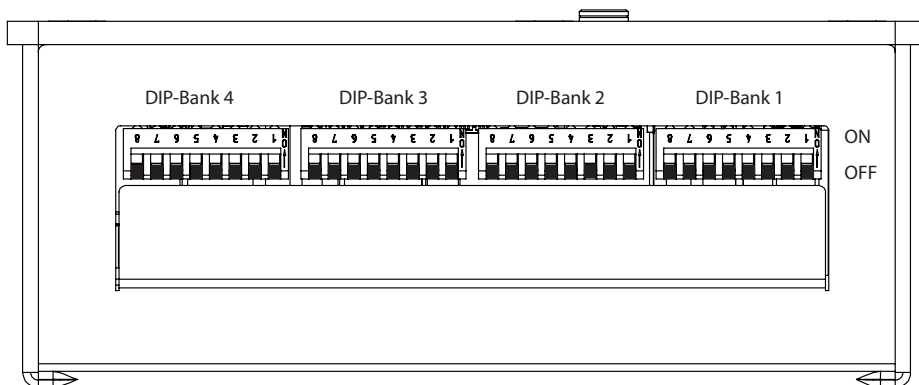


Fig. 8: Function selection switch - Standard setting

Each DIP-Bank provides setting options for the product features of Infrabox Basic, which are listed below and described in detail.

The settings made in each function setting are shown in the DIP-Bank as well as the function selection switch.



Note that the controller needs to be disconnected from the mains for 10 seconds after making changes so that the settings are saved.

For standard deliveries, the features are as follows:

Operating mode: Normal

Operating type: Switch

Operating time: 6 hours

Foil sensor: Off

Leading/trailing edge phase control: Not activated

6.1. Operating mode

DIP-Bank 1

Function selection switch 1 and 2

In the operating mode the following settings are possible:

Function selection switch	1	2
Normal	OFF	OFF
Timer I/O	ON	OFF
Seat (optional)	ON	ON

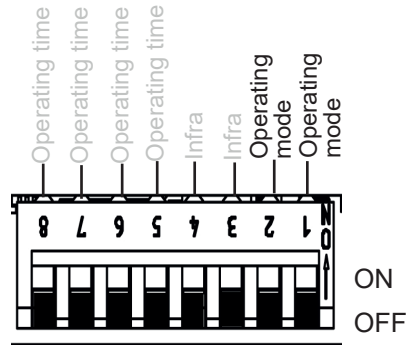


Fig. 9: Operating mode

Normal: Switchable or dimmable infrared heater/infrared plate.

The dimming function of the infrared heater/infrared plate is activated via the infra-controller, see 6.2. Operating type (infrared heater/infrared plate) on page 20.

Timer I/O (On/Off): in the On/Off operating mode, the controller switches off after the set On-time has elapsed and is not activated again.

Switchable infrared heater / infrared plate.

For additional settings, see 6.6. On-time (I/O timer) on page 24 and Fig. 16: Timer I/O operating mode on page 25.

Seat (Function is only available in combination with the optional seat sensor)

For additional settings, see 6.5. Seat time (optional for seat sensor) on page 23.

6.2. Operating type (infrared heater/ infrared plate)

DIP-Bank 1

Function selection switch 3 and 4

The following settings are possible for the infra-controller:

Function selection switch	3	4
Switch	OFF	OFF
Leading edge phase control	ON	OFF
Half-wave control	OFF	ON

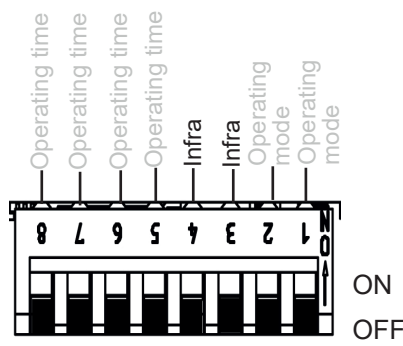


Fig. 10: Infrared operating type

ATTENTION!

The specified output limits may not be exceeded!

To enable optimum functionality, we recommend the leading edge phase control function for infrared heaters with visible light. The half-wave control function is suitable for infrared plates and infrared heaters without visible light.

Switching: Switching the infrared heater or infrared plate with a heating capacity of max. 3.5 kW. No dimming function.

Leading edge phase control: Controlling (dimming) the infrared heater/infrared plate is possible in 5 levels up to 350 W.

Half-wave control: Controlling (dimming) the infrared heater/infrared plate is possible in 5 levels up to 1.3 kW.

6.3. Operating time

DIP-Bank 1

Function selection switch 5 - 8

The maximum operating time is set to 6 hours as standard. The infrared controller shuts down automatically after the maximum heating period for safety reasons.

The function selection switch in the low-voltage connection area can be adjusted to the maximum operating time. The required positions of the function selection switch can be found in the following table.

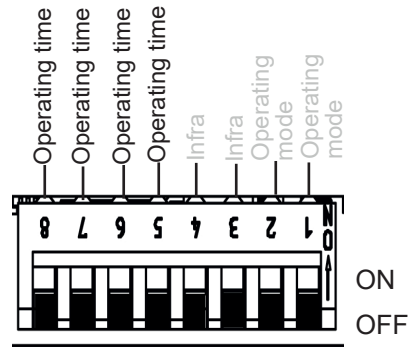


Fig. 11: Operating time



The EN 60335-2-53 specifies a maximum heating period limit of 6 hours for private saunas. For saunas in hotels, apartment blocks and similar locations, a maximum heating period limit of 12 hours is permissible. Extending the heating period limit to 18 hours or 24 hours is only permitted in public saunas.

EN

Time	Function selection switch			
	5	6	7	8
5 min.	ON	ON	ON	ON
10 min.	OFF	ON	ON	ON
15 min.	ON	OFF	ON	ON
30 min.	ON	ON	OFF	ON
45 min.	OFF	ON	OFF	ON
60 min.	ON	OFF	OFF	ON

Time	Function selection switch			
	5	6	7	8
2 hours	OFF	OFF	OFF	ON
3 hours	ON	ON	ON	OFF
4 hours	OFF	ON	ON	OFF
5 hours	ON	OFF	ON	OFF
6 hours	OFF	OFF	OFF	OFF
12 hours	ON	OFF	OFF	OFF
18 hours	OFF	ON	OFF	OFF
24 hours	ON	ON	OFF	OFF

6.4. Foil sensor

DIP-Bank 4

Function selection switch 3

If an infrared plate is connected to the infrared output, the WC4-IRF-F foil sensor must be used. The foil sensor must be activated according to the adjacent figure by putting switch 3 to ON.

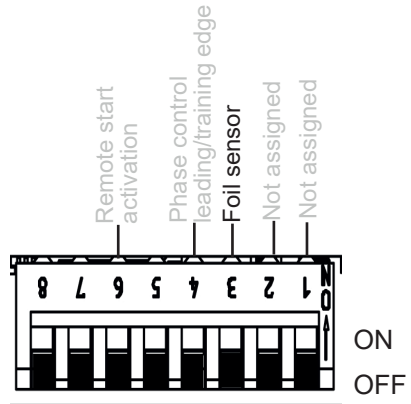


Fig. 12: Foil sensor

6.5. Seat time (optional for seat sensor)

DIP-Bank 2

Function selection switch 1 and 2

By selecting the seat time, the time for the optional seat sensor available can be set. After the set operating time has elapsed, the infrared heater/infrared plate switches off automatically.

The operating time can be adjusted using the function selection switch. For the required position of the function selection switch, see the following table.

Function selection switch	1	2
5 min.	OFF	OFF
10 min.	ON	OFF
15 min.	OFF	ON
20 min.	ON	ON

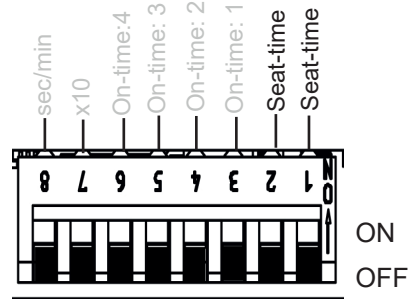
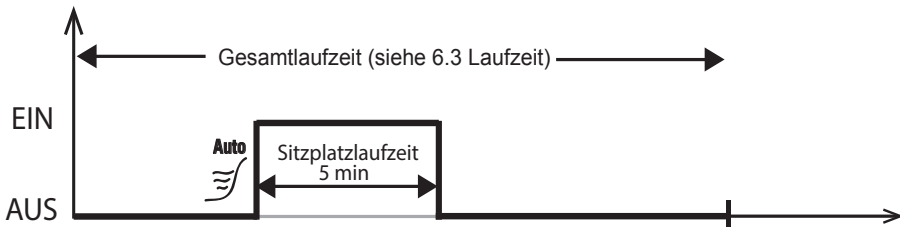


Fig. 13: Seat-time

EN

Note: Seat operating mode (see 6.1. Operating mode on page 19) must be activated to be able to use the function.

Example: Seat-time 5 min.



6.6. On-time (I/O timer)

DIP-Bank 2

Function selection switch 3 - 6

Note: To activate the On-time, additional settings are required, see 6.1. Operating mode on page 19 and Fig. 16: Timer I/O operating mode on page 25.

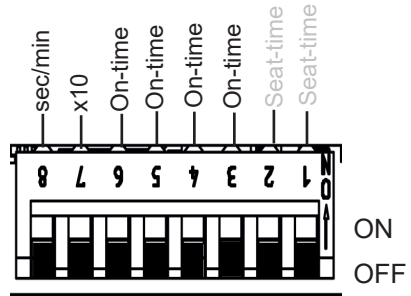


Fig. 14: On-time

Function of the On-time: output begins to run or to clock after switching on the controller according to the set times.

On-time: Setting the timer (timer function). Switching position of the required value to ON according to the following table.

x10 - multiplier (7): The timer set above the value is multiplied by 10.
OFF = deactivated, ON = activated

sec/min - unit (8): Switching from seconds to minutes.
OFF = seconds, ON = minutes

Example: setting time 3 mins

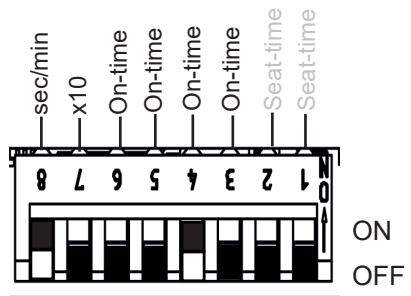


Fig. 15: Example On-time

Time	Function selection switch			
	6	5	4	3
1	OFF	OFF	OFF	OFF
2	OFF	OFF	OFF	ON
3	OFF	OFF	ON	OFF
4	OFF	OFF	ON	ON
5	OFF	ON	OFF	OFF
6	OFF	ON	OFF	ON
7	OFF	ON	ON	OFF
8	OFF	ON	ON	ON
9	ON	OFF	OFF	OFF
10	ON	OFF	OFF	ON
11	ON	OFF	ON	OFF
12	ON	OFF	ON	ON
13	ON	ON	OFF	OFF
14	ON	ON	OFF	ON
15	ON	ON	ON	OFF
16	ON	ON	ON	ON

EN

Timer operating mode I/O (On/Off): in the On/Off operating mode, the controller switches off after the set On-time has elapsed and is not activated again.

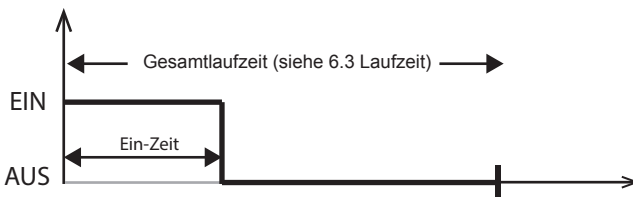


Fig. 16: Timer I/O operating mode

6.7. Leading/trailing edge phase control

DIP-Bank 4

Function selection switch 4

Setting options:

Leading edge phase control: OFF (standard)

Trailing edge phase control: ON

For activating the leading/trailing edge phase control, additional settings are required, see 6.1. Operating mode on page 19.

Function is available in Normal mode.

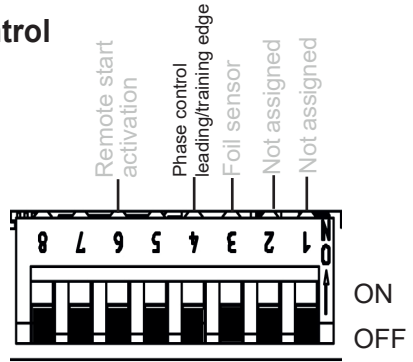


Fig. 17: Leading/trailing edge phase control

When the leading edge phase control mode is (see 6.2. Operating type (infrared heater/infrared plate) on page 20) selected, there is the option of selecting between leading/trailing edge phase control.

6.8. HV input (enable input)

DIP-Bank 4

Function selection switch 6

Enable input (ON position)

The controller can only be switched on if 230 VAC is applied at the HV input. This function can be used with a vending machine for example.

See also 5.4. Connecting the seat sensor (optional) on page 17.

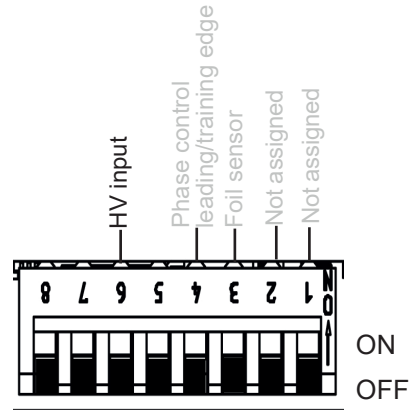


Fig. 18: HV input

7. Testing

The following tests must be performed by a qualified electrician.

**WARNING!**

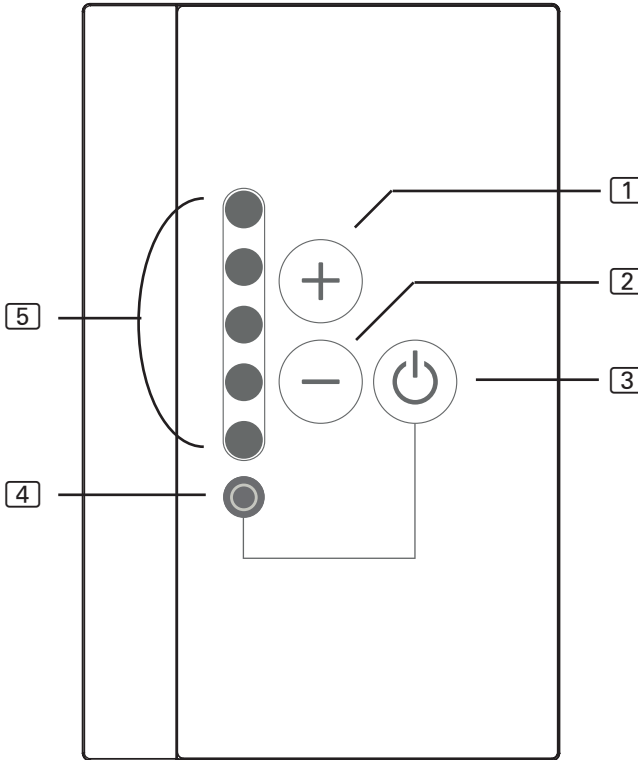
The following tests must be carried out with the power supply switched on. There is a danger of electric shock.

- NEVER touch live parts.
-

1. Check the contact of the earth conductors on the earth conductor terminal.
2. When using a foil sensor (see Fig. 6: Connection area for sensor/control unit/seat sensor on page 15)
 - a. Unplug the sensor. Error code 3 (see 9.1. Error messages on page 30) is displayed.
 - b. When the correct code is displayed, plug the sensor in again.
3. When using a safety temperature limiter (see Fig. 6: Connection area for sensor/control unit/seat sensor on page 15)
 - a. Unplug the safety temperature limiter. Error code 2 (see 9.1. Error messages on page 30) is displayed.
 - b. When the correct code is displayed, plug the limiter in again.
4. When using infrared plates/infrared heaters (see Fig. 7: Connection area for 230 V on page 16)
 - a. Check for functionality.

8. Operation

8.1. Description of control elements



1 Increase intensity/
Normal operating mode: On

2 Decrease intensity/
Normal operating mode: Off

3 ON/OFF button

4 Operating displays

5 Intensity displays/
On/Off display

**WARNING!**
Risk of fire

- Before the infrared controller is switched on, make sure that no flammable objects have been hung over the infrared heater or on the infrared plate.

8.2. Switching the infrared controller

1. Press the ON/OFF switch **[3]**, to switch on the infrared controller.
 - ▶ The operating display **[4]** goes on.
2. Select the intensity of the function with the intensity selector **[1]** and **[2]** the required intensity of the function.
 - ▶ The infrared heater/the infrared plate begins to heat up.

8.3. Dimming function for the infrared heater/infrared plate

Controlling (dimming) the infrared heater/infrared plate is possible in 5 levels. At 0 the infrared heater/infrared plate is switched off, at 5 it is a full capacity.

Function only possible in operating modes: leading edge phase control and half-wave control

To activate the function, additional settings are required, see chapter 6.2. Operating type (infrared heater/infrared plate) on page 20.

Function only possible in operating mode: normal and seat

To activate the function, additional settings are required, see chapter 6.1. Operating mode on page 19.

1. Use the intensity selector **[1]** and **[2]** the preferred infrared heater/infrared plate intensity.
 - ▶ The infrared heater/infrared plate is switched on.
 - ▶ The intensity display **[5]** lights up.

8.4. Seat sensor (optional)

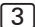
When using a seat sensor (available as an option), the infrared output for the set seat time switches on automatically if you have set it previously. The infrared control unit must be switched on to do so (see 8.2 Switching on the infrared control unit)

9. Troubleshooting

9.1. Error messages

The Infrabox Basic is equipped with diagnostic software which monitors system statuses when it switches on and during operation. As soon as the diagnostic software identifies an error, the controller switches the infrared output off.

Errors are indicated by the LEDs flashing.

Switch the infrared controller off using the ON/OFF switch  (see 8.1. Description of control elements on page 28), unplug the cable from the mains and rectify the error before switching the infrared controller on again.

The following table describes the possible faults and their causes. If necessary, tell the number of the flashing LEDs to your customer service specialist.

<i>Number of LED</i>	<i>Error</i>	<i>Cause / rectification</i>
1	General information	Please contact customer support.
2	Safety temperature limiter breakage	Check the safety temperature limiter or put a bridge in safety temperature limiter terminal.
3	Foil temperature sensor is broken or short circuited	Defective temperature sensor or poor contact or short circuit.
4	Foil sensor excess temperature	The maximum foil temperature of 100 °C was exceeded. Sensor must be activated via DIP.
5	Communication error between control unit and power supply unit	Poor contact or defect connection cable. Please contact customer support.

10. Cleaning and maintenance

10.1. Cleaning

ATTENTION!

Damage to the unit

The Infrabox is protected against splashing water, however direct contact with water could still damage the unit.

- NEVER immerse the device in water.
- Do not pour water over the device.
- Do not get the device too wet when cleaning it.

1. Soak a cleaning cloth in a mild, soapy water.
2. Wring out the cloth well.
3. Wipe the housing of the infrared controller carefully.

10.2. Maintenance

The infrared controller is maintenance-free.

EN

11. Disposal



- Dispose of packaging materials in accordance with the applicable waste disposal regulations.
- Used devices contain reusable materials as well as hazardous substances. Therefore, do not dispose of your used device with household waste, but do so in accordance with the locally applicable regulations.

12. Technical data

Control unit

Connection:	4-pin with power supply and communication lines
Mains voltage:	5 V DC
Output:	<0.5 W
Storage temperature:	-25 °C to 70 °C
Ambient temperature:	-10 °C to +110 °C
Air humidity:	max. 99% rel. humidity, non-condensing!
Dimensions: L x W x D	63 x 104 x 38 mm
Installation cut-out: L x W	48 x 60 mm

Power unit

Nominal voltage	230 VAC
Dimensions	195 x 119 x 48 mm
Connection cable	3 x 1.5 mm ² for light, Electronics and heating elements
Contact rating / heater	
Leading edge phase control	350 W
Half-wave control	1.3 kW
Switching	3.5 kW
Ambient conditions	10 °C to +40 °C

Thermal safety

Adjustable automatic heating period (6 h, 12 h, 18 h, 24 h)*

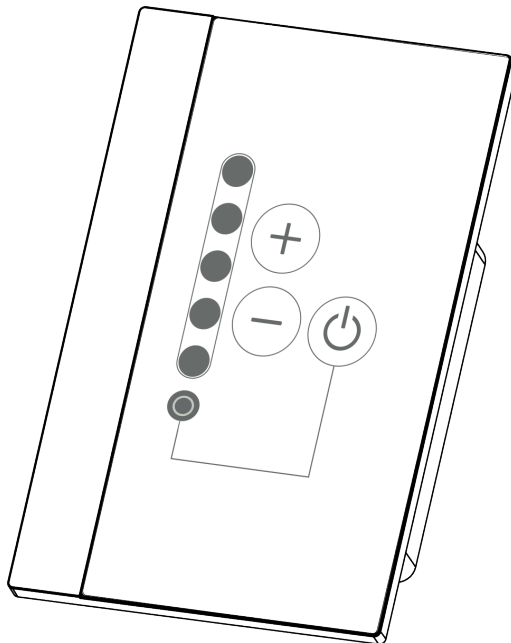
* EN 60335-2-53 specifies a heating time limit of 6 hours for private saunas. For saunas in hotels, apartment blocks and similar locations, a maximum heating time limit of 12 hours is permissible. Extending the heating time limit to 18 hours or 24 hours is only permitted in public saunas.



Infrarotsteuerung

Infrabox basic S

MONTAGE- UND GEBRAUCHSANWEISUNG Deutsch



DE

Infrabox basic S Set

1-035-705 / IRB-BS-S

Infrabox basic S white Set

1-039-847 / IRB-BS-W-S

Inhaltsverzeichnis

1. Zu dieser Anleitung	4
2. Wichtige Hinweise zu Ihrer Sicherheit	5
2.1. Bestimmungsgemäßer Gebrauch	5
2.2. Sicherheitshinweise für den Monteur	7
2.3. Sicherheitshinweise für den Anwender	8
3. Produktbeschreibung	9
3.1. Lieferumfang	9
3.2. Optionales Zubehör	9
3.3. Produktfunktionen	9
4. Montage	11
4.1. Montage Leistungsteil	11
4.2. Montage Bedienteil	12
4.3. Montage Folientemperatur-Fühler	14
5. Elektrischer Anschluss	15
5.1. Anschlussbereich für Bedienteil	15
5.2. Anschlussbereich für 230 V	16
5.3. Folienfühler (optional) anschließen	17
5.4. Sitzplatzsensor (optional) anschließen	17
5.5. HV-Eingang (Freischalteingang) anschließen	17
5.6. Sicherheitstemperaturbegrenzer (STB) anschließen (optional)	17
5.7. Infrarotstrahler / Infrarotplatte anschließen	17

6. Inbetriebnahme	18
6.1. Betriebsmodus	19
6.2. Betriebsart (Infrarotstrahler/Infrarotplatte)	20
6.3. Laufzeit	21
6.4. Folienfühler	22
6.5. Sitzplatz-Zeit (optional bei Sitzplatzsensor)	23
6.6. Ein-Zeit (Timer I/O)	24
6.7. Phasen An-/Abschnitt	26
6.8. HV-Eingang (Freischalteingang)	26
7. Prüfungen durchführen	27
8. Bedienung	28
8.1. Bezeichnung Bedienelemente	28
8.2. Infrarotsteuerung einschalten	29
8.3. Dimmfunktion Infrarotstrahler / Infrarotplatte	29
8.4. Sitzplatzsensor (optional)	29
9. Problemlösung	30
9.1. Fehlermeldungen	30
10. Reinigung und Wartung	31
10.1. Reinigung	31
10.2. Wartung	31
11. Entsorgung	31
12. Technische Daten	32

1. Zu dieser Anleitung

Lesen Sie diese Montage- und Gebrauchsanweisung gut durch und bewahren Sie sie in der Nähe der Infrarotsteuerung auf. So können Sie jederzeit Informationen zu Ihrer Sicherheit und zur Bedienung nachlesen.



Sie finden diese Montage- und Gebrauchsanweisung auch im Downloadbereich unserer Webseite auf www.sentiotec.com/downloads.

Symbole in Warnhinweisen

In dieser Montage- und Gebrauchsanweisung ist vor Tätigkeiten, von denen eine Gefahr ausgeht, ein Warnhinweis angebracht. Befolgen Sie diese Warnhinweise unbedingt. So vermeiden Sie Sachschäden und Verletzungen, die im schlimmsten Fall sogar tödlich sein können.

In den Warnhinweisen werden Signalwörter verwendet, die folgende Bedeutungen haben:



GEFAHR!

Wenn Sie diesen Warnhinweis nicht beachten, sind Tod oder schwere Verletzungen die Folge.



WARNUNG!

Wenn Sie diesen Warnhinweis nicht beachten, können Tod oder schwere Verletzungen die Folge sein.



VORSICHT!

Wenn Sie diesen Warnhinweis nicht befolgen, können leichte Verletzungen die Folge sein.

ACHTUNG!

Dieses Signalwort warnt Sie vor Sachschäden.

Andere Symbole



Dieses Symbol kennzeichnet Tipps und nützliche Hinweise.



Nicht abdecken!



Bedienungsanleitung lesen

2. Wichtige Hinweise zu Ihrer Sicherheit

Die Infrarotsteuerung Infrabox basic ist nach anerkannten sicherheitstechnischen Regeln gebaut. Dennoch können bei der Verwendung Gefahren entstehen. Befolgen Sie deshalb die folgenden Sicherheitshinweise und die speziellen Warnhinweise in den einzelnen Kapiteln. Beachten Sie auch die Sicherheitshinweise der angeschlossenen Geräte.

2.1. Bestimmungsgemäßer Gebrauch

Die Infrarotsteuerung Infrabox basic dient ausschließlich zum Steuern sowie zur Bedienung der Infrarotstrahler/Infrarotplatte.



Die Infrarotsteuerung Infrabox ist für den Gebrauch mit eigensicheren Infrarotstrahlern und Infrarotplatten geeignet. Werden keine eigensicheren Produkte verwendet, ist der Anschluss eines Sicherheitstemperaturbegrenzer (STB) erforderlich.

Beachten Sie dazu auch die Anweisungen in der jeweiligen Bedienungsanleitung. Die Infrarotsteuerung Infrabox basic darf nur zum Steuern einer Leistung von max. 3,5 kW verwendet werden.

Übersicht Betriebsarten:

Schaltbar: bis 3,5 kW

Halbwellen-Steuerung (dimmbar): bis 1,3 kW

Phasenanschnitt (dimmbar): bis 350 W

Geeignete Infrarotstrahler: DIR-350-R, WIR-350-R, DIR-500-R, WIR-500-R, DIR-750-R, WIR-750-R, DIR-1300-R, WIR-1300-R, ECO-350-R, ECO-350-G, ECO-500-R, ECO-500-G, ECO-750-R, O-IRC-W

Geeignete Infrarotplatten: IR-WP-175, IR-WP-100, IR-WP-390, IR-WP-510, IR-WPHL-510, IR-WPHL-100, IR-WPHL-390, IR-WPHL-175

ACHTUNG!

Verwendung von Infrarotplatten nur in Verbindung mit dem optionalen Folienfühler WC4-IRF-F.

Vor der Inbetriebnahme der Steuerung ist die Kabine auf den betriebsbereiten Zustand zu überprüfen.

- Es darf nur die im Lieferumfang enthaltene oder die optionale Netzanschlussleitung für die Schweiz (IR-CP-CH) verwendet werden.
- Das Leistungsteil darf nur in Verbindung mit dem im Lieferumfang enthaltenen Bedienteil montiert und betrieben werden.

Jeder darüber hinausgehende Gebrauch gilt als nicht bestimmungsgemäß. Nicht bestimmungsgemäßer Gebrauch kann zur Beschädigung des Produkts, zu schweren Verletzungen oder Tod führen.

2.2. Sicherheitshinweise für den Monteur

- Die Montage der Klemmverbindungen darf nur durch eine Elektrofachkraft oder eine vergleichsweise qualifizierte Person ausgeführt werden.
- Die Montage der Steckverbindungen darf durch den Anwender ausgeführt werden.
- Montage- und Anschlussarbeiten an der Infrarotsteuerung dürfen nur im spannungsfreien Zustand durchgeführt werden.
- Beachten Sie auch die örtlichen Bestimmungen am Aufstellort.
- Stellen Sie sicher, dass keine brennbaren Gegenstände über dem Infrarotstrahler bzw. der Infrarotplatte hängen, bevor Sie die Infrarotsteuerung einschalten.
- Bei Problemen, die in der Montage- und Gebrauchsanweisung nicht ausführlich genug behandelt werden, wenden Sie sich zu Ihrer eigenen Sicherheit an Ihren Lieferanten.

2.3. Sicherheitshinweise für den Anwender

- Die Infrarotsteuerung darf nicht von Kindern unter 8 Jahren verwendet werden.
- Die Infrarotsteuerung darf von Kindern über 8 Jahren, von Personen mit verringerten psychischen, sensorischen oder mentalen Fähigkeiten und von Personen mit Mangel an Erfahrung und Wissen unter folgenden Bedingungen verwendet werden:
 - wenn sie beaufsichtigt werden
 - wenn ihnen die sichere Verwendung gezeigt wurde und sie die Gefahren, die entstehen können, verstehen.
- Kinder dürfen nicht mit dem Gerät spielen.
- Kinder unter 14 Jahren dürfen das Gerät nur reinigen, wenn sie beaufsichtigt werden.
- Wenn Sie unter dem Einfluss von Alkohol, Medikamenten oder Drogen stehen, verzichten Sie aus gesundheitlichen Gründen auf die Benutzung der Infrarotkabine.
- Stellen Sie sicher, dass keine brennbaren Gegenstände über dem Infrarotstrahler bzw. der Infrarotplatte hängen, bevor Sie die Infrarotsteuerung einschalten.
- Bei Problemen, die in der Gebrauchsanweisung nicht ausführlich genug behandelt werden, wenden Sie sich zu Ihrer eigenen Sicherheit an Ihren Lieferanten.

3. Produktbeschreibung

3.1. Lieferumfang

- Infrabox basic Bedienteil
- Infrabox basic Leistungsteil
- Netzanschlussleitung 2,5 m (IR-CP-EU)
- Montagematerial
- Bedienungsanleitung
- HV-Stecker

3.2. Optionales Zubehör

- Folienfühler (WC4-IRF-F) inkl. 5 m Anschlussleitung
- Sitzplatzsensor (IRB-F-S) inkl. 1 m Anschlussleitung
- Stecker Infrarotstrahler (Artikelnummer: WC4-P-RA)
- Netzanschlussleitung Infrarot 2,5 m Schweiz (Artikelnummer: IR-CP-CH)

3.3. Produktfunktionen

Die Infrarotsteuerung Infrabox verfügt über folgende Funktionen:

- Schalten der Infrarotstrahler oder Infrarotplatte mit einer Heizleistung von max. 3,5 kW
- Steuern (dimmen) der Infrarotsteuerung in 5 Stufen mit Halbwellen-Steuerung (bis 1,3 kW)
- Steuern (dimmen) der Infrarotsteuerung in 5 Stufen mit Phasenanschnitt (bis 350 W)
- Sitzplatzsensorfunktion (optionales Zubehör)
- Timer-Funktion
- Fernstartfunktion



Die Infrarotsteuerung Infrabox Basic ist für den Gebrauch mit eigensicheren Infrarotstrahlern und Infrarotplatten geeignet. Werden keine eigensichere Produkte verwendet ist der Anschluss eines Sicherheitstempereaturbegrenzers (STB) erforderlich.

- Wenn Infrarotstrahler angeschlossen werden, müssen diese über einen Sicherheitstempereaturbegrenzer verfügen. Geeignete Infrarotstrahler siehe 2.1. Bestimmungsgemäßer Gebrauch auf Seite 5.
- Wenn Infrarotplatten angeschlossen werden, muss der Folienfühler WC4-IRF-F verwendet und aktiviert werden (siehe 4.3. Montage Folientemperatur-Fühler auf Seite 14 und 5.3. Folienfühler (optional) anschließen auf Seite 17). Geeignete Infrarotplatten siehe 2.1. Bestimmungsgemäßer Gebrauch auf Seite 5.
- Automatische Heizzeitbegrenzung
Die Infrarotsteuerung schaltet sich nach Ablauf der maximalen Heizzeit aus Sicherheitsgründen automatisch ab (siehe auch 6.3. Laufzeit auf Seite 21).



Die EN 60335-2-53 schreibt für private Infrarotkabinen eine maximale Heizzeitbegrenzung von 6 h vor. Für Infrarotkabinen in Hotels, Wohnblöcken und ähnlichen Standorten ist eine Heizzeitbegrenzung von maximal 12 h zulässig. Die Erweiterung der Heizzeitbegrenzung auf 18 h oder 24 h ist nur in öffentlichen Infrarotkabinen gestattet.

4. Montage

4.1. Montage Leistungsteil

Das Leistungsteil wird auf der Kabinendecke (siehe Abb.1), an die Kabinenwand oder an einem anderen geeigneten Ort gemäß Umgebungsbedingungen montiert. Die elektrische Versorgung erfolgt mit einer Netzanschlussleitung mit Schutzkontaktstecker.

ACHTUNG!

Schäden am Gerät

- Montieren Sie das Leistungsteil an einem trockenen Ort. Eine maximale Umgebungstemperatur von 40° C und eine maximale Luftfeuchte von 95 % ist einzuhalten.
 - Zur Kühlung des Leistungsteiles muss eine freie Luftzirkulation möglich sein. Das Leistungsteil darf nicht durch Gegenstände oder Materialien abgedeckt sein.
-

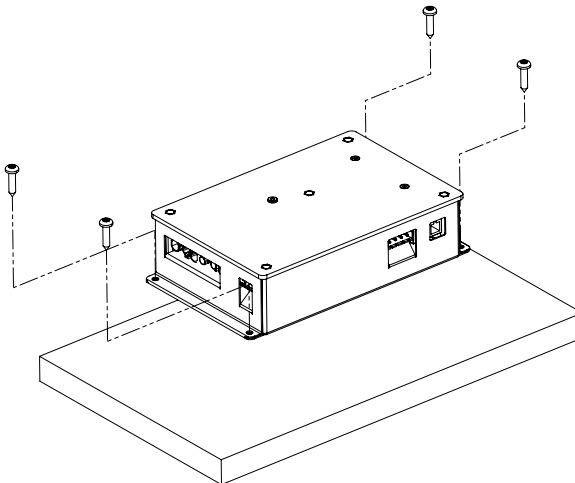


Abb.1 Montage Leistungsteil

DE

1. Leistungsteil-Gehäuse Infrabox mit den vier beiliegenden Holzschrauben (16 mm Länge) an die Kabinendecke oder die Kabinenwand schrauben.

4.2. Montage Bedienteil

Das Bedienteil [2] der Infrarotsteuerung wird an der Kabinen-Außenwand im maximalen Abstand von 10 Metern zum Leistungsteil [1] montiert (siehe Abb. 2). Für die Montage wird beispielsweise eine handelsübliche Stichsäge benötigt um die Ausnehmung für das Bedienteil zu schneiden. Das Bedienteil kann sowohl in der Kabine als auch außerhalb der Kabine montiert werden.

*Bei Montage innerhalb einer Saunakabine ist ein Mindestabstand von 30 cm zur Kabinendecke einzuhalten (siehe Abb.2 Position Bedienteil auf Seite 12).

ACHTUNG!

Schäden am Gerät

- Das Bedienteil [2] der Infrarotsteuerung ist spritzwassergeschützt (Schutzgrad IP X4).
- Arbeiten am Bedienteil dürfen nur mit einem normalen Schraubendreher durchgeführt werden. Bei Verwendung eines Akkuschaubers besteht die Gefahr, dass das Gehäuse irreparabel beschädigt wird!

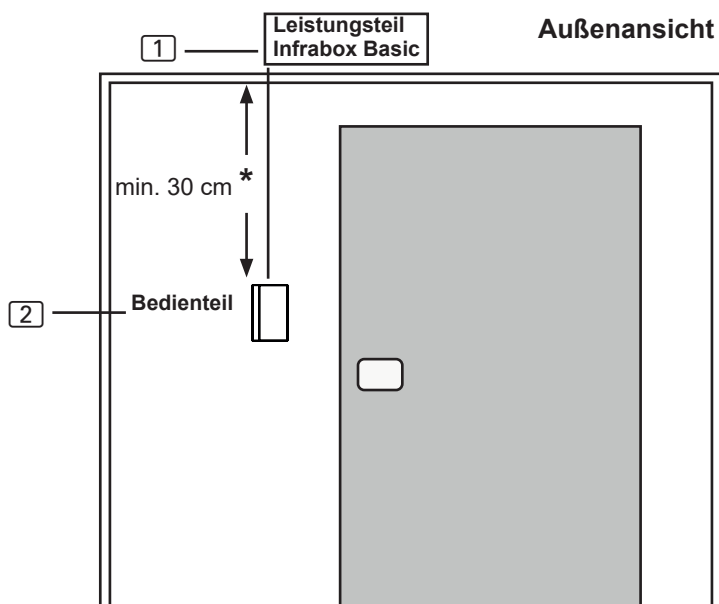


Abb.2 Position Bedienteil

* bei Montage innerhalb der Kabine

1. Mit beispielsweise einer Stichsäge die Ausnehmung 60 x 48 mm schneiden.
2. Leitungsführungen für die Verbindungsleitung vorsehen.
3. Gehäuse durch die Bohrung mit den 4 beiliegenden Holzschrauben an die Kabinenwand schrauben.

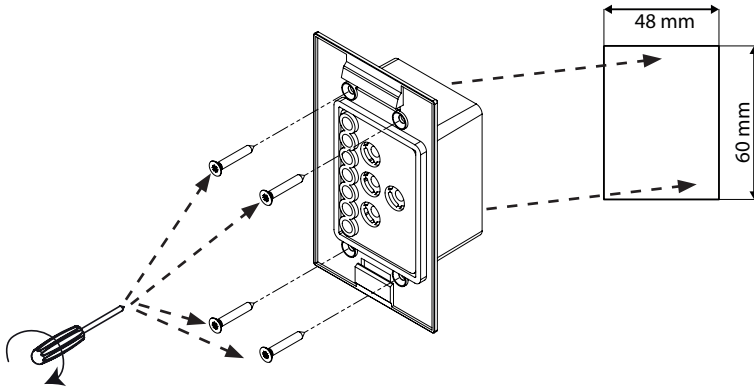


Abb.3 Montage Bedienteil

4. Die Frontplatte des Bedienteils wird mit leichtem Druck in das Gehäuse eingesteckt. Achten Sie darauf, dass der untere Befestigungshaken spürbar einrastet.

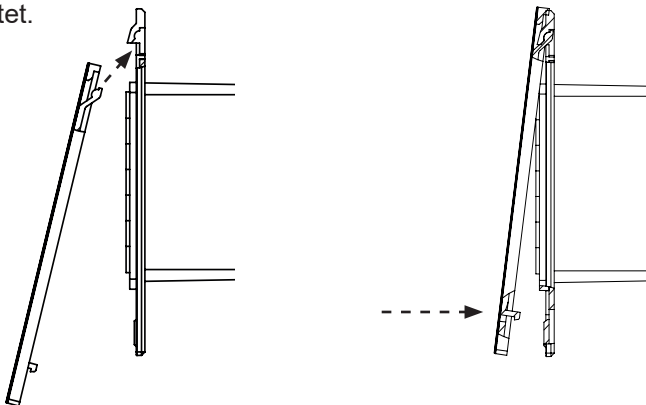


Abb.4 Montage Bedienteil

5. Verbinden Sie den 4-poligen Stecker mit der RJ11 Buchse des Bedienteils.

4.3. Montage Folientemperatur-Fühler



Der Folientemperatur-Fühler wird nur bei Infrarotplatten-Heizsystemen benötigt. Hier sind zusätzlich die Angaben des Platten-Heizsystemherstellers zu beachten.

Der Folientemperatur-Fühler wird direkt an die Infrarot-Heizplatte montiert und mit einer Zugsicherung fixiert (siehe Abb. 5: Montage des Folientemperatur-Fühlers auf Seite 14).

Den Fühlerkopf **1** des Folientemperatur-Fühlers direkt zwischen Dämmstoff und Heizfolie **4** montieren.

1. Folientemperatur-Fühler mit der Zugentlastung **2** außerhalb des Folienebereiches fixieren.
2. 2-polige Leitung **3** in der Kabinenwand verlegen und mit Leitungsschellen fixieren.
3. Die Verwendung eines Folientemperatur-Fühlers muss aktiviert werden (6.4. Folienfühler auf Seite 22)

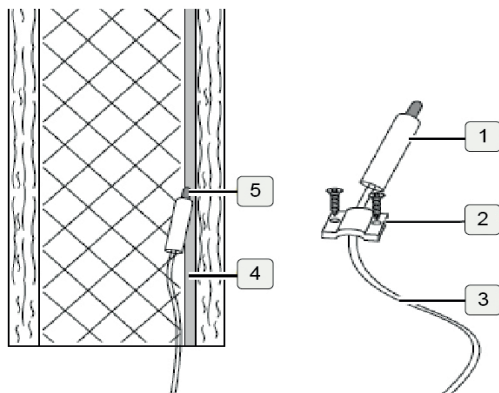


Abb. 5: Montage des Folientemperatur-Fühlers



Wird der Folientemperatur-Fühler nicht direkt an die Infrarotplatte montiert, kommt es zu falschen Messwerten. Den Folientemperatur-Fühler direkt an die Folie montieren.

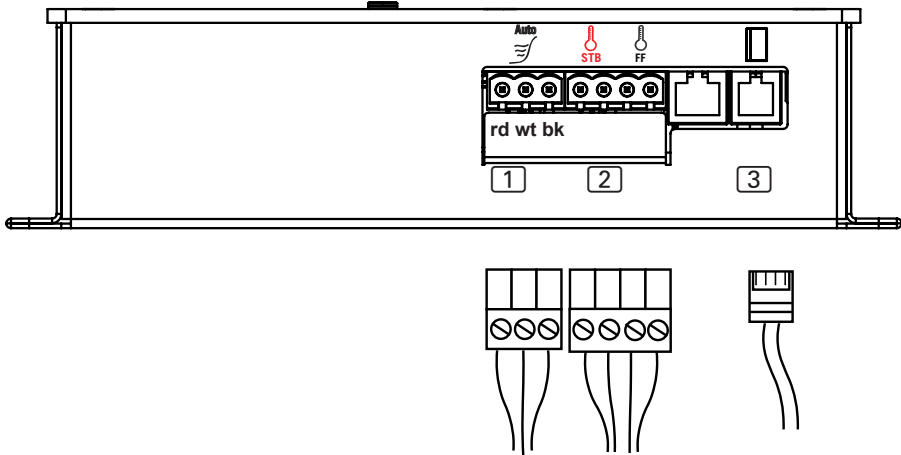
5. Elektrischer Anschluss

Beachten Sie beim elektrischen Anschluss der Infrarotsteuerung folgende Punkte:

- Arbeiten an der Infrarotsteuerung dürfen nur im spannungsfreien Zustand durchgeführt werden.

Das Anschließen aller Komponenten an dem Infrabox Basic Leistungsteil erfolgt gemäß nachfolgender Abbildungen:

5.1. Anschlussbereich für Bedienteil/Fühler/Sitzplatzsensor



- 1 Sitzplatzsensor (optional)
- 2 Folientemperatur-Fühler (FF)
Sicherheits-Temperaturbegrenzer (STB)
- 3 Infrabox-Bedienteil

rd = red = rot
wt = white = weiß
bk = black = schwarz

Abb. 6: Anschlussbereich Bedienteil/Fühler/Sitzplatzsensor

5.2. Anschlussbereich für 230 V

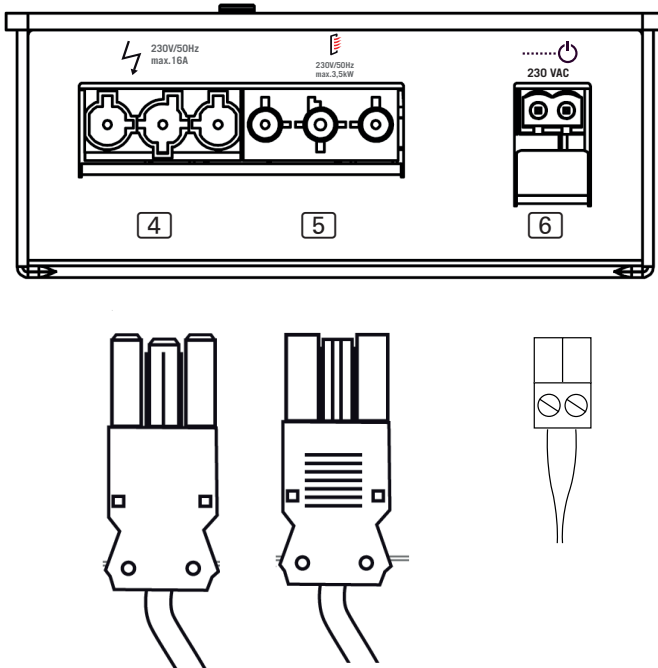


Abb. 7: Anschlussbereich für 230 V

- 4 Netzanschluss 230 V / 50 Hz max. 16 A
- 5 Infrarotstrahler max. 3,5 kW
- 6 Fernstart (230 V / 50 Hz)



WARNUNG!
Personenschaden

- Die Montage der Klemmverbindungen darf nur durch eine Elektrofachkraft oder eine vergleichsweise qualifizierte Person ausgeführt werden.

5.3. Folienfühler (optional) anschließen

Folienfühlerleitung an den 2-polige Folienfühlerstecker gemäß Abb. 6: Anschlussbereich Fühler/Bedienteil auf Seite 15 an FF anklemmen.



5.4. Sitzplatzsensor (optional) anschließen

Sitzplatzsensorleitung an den 3-poligen Sitzplatzsensorstecker gemäß Abb. 6: Anschlussbereich Fühler/Bedienteil auf Seite 15 anklemmen. Bitte beachten Sie dazu auch die Anweisungen in der jeweiligen Bedienungsanleitung.



5.5. HV-Eingang (Freischalteingang) anschließen

Der Eingang wird durch Anlegen von Wechselspannung (230 V / 50 Hz) aktiv. Angeschlossen wird der Eingang mittels 2-poligen HV-Stecker gemäß Abb. 7: Anschlussbereich für 230 V auf Seite 16.



Die genaue Schrittfolge zur Aktivierung entnehmen Sie bitte dem Kapitel 6.7. HV-Eingang (Freischalteingang) auf Seite 26.

5.6. Sicherheitstemperaturbegrenzer (STB) anschließen (optional)

Bei Verwendung von Infrarotstrahlern und Infrarotplatten ohne Eigensicherung ist der Anschluss eines Sicherheitstemperaturbegrenzer (STB) notwendig!



Die STB Anschlussleitung erfolgt gemäß Abb. 6: Anschlussbereich Fühler/Bedienteil auf Seite 15 an den STB Anschluss.

5.7. Infrarotstrahler / Infrarotplatte anschließen

Infrarotstrahler/Infrarotplatte an den vorgesehenen Anschluss gemäß Abb. 7: Anschlussbereich für 230 V auf Seite 16 anschließen. Bitte beachten Sie dazu auch die Anweisungen in der jeweiligen Bedienungsanleitung.



6. Inbetriebnahme

Standardmäßig sind alle Funktionswahlschalter auf OFF gestellt.

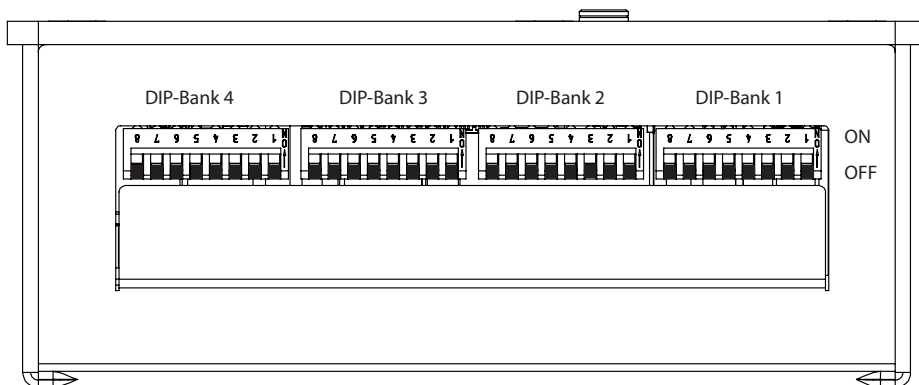


Abb. 8: Funktionswahlschalter - Standardeinstellung

Jede DIP-Bank hält Einstellungsoptionen für die Produktfunktionen der Infrabox Basic bereit, welche nachfolgend angeführt und detailliert beschrieben sind. In jeder Funktionseinstellung wird auf die DIP-Bank, sowie den Funktionswahlschalter hingewiesen in der die Einstellungen vorgenommen werden können.



Bitte beachten Sie, dass nach Einstellungsänderungen die Steuerung für 10 Sek. vom Netz getrennt werden muss, um die Einstellungen zu speichern.

Im standardmäßige Auslieferungszustand sind die Funktionen wie folgt:

Betriebsmodus: Normal

Betriebsart: Schalten

Laufzeit: 6h

Fohlenfühler: Aus

Phasen An- / Abschnitt: Nicht aktiviert

6.1. Betriebsmodus

DIP-Bank 1

Funktionswahlschalter 1 und 2

Im Betriebsmodus sind folgende Einstellungen möglich:

Funktionswahlschalter	1	2
Normal	OFF	OFF
Timer I/O	ON	OFF
Sitzplatz (opt)	ON	ON

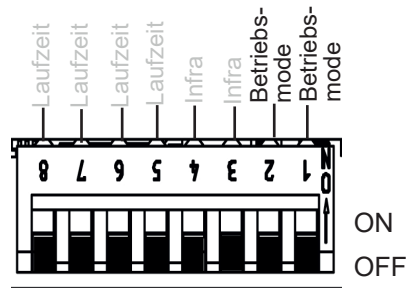


Abb. 9: Betriebsmodus

Normal: Infrarotstrahler/Infrarotplatte schaltbar oder dimmbar.

Die Aktivierung der Dimmfunktion der Infrarotstrahler/Infrarotplatten erfolgt über die Infra-Ansteuerung siehe 7.2. Betriebsart (Infrarotstrahler/Infrarotplatte) auf Seite 20.

Timer I/O (Ein/Aus): im Betriebsmodus Ein/Aus schaltet sich die Steuerung nach Ablauf der eingestellten Ein-Zeit aus und wird nicht erneut aktiviert. Infrarotstrahler/Infrarotplatte schaltbar.

Weitere Einstellungen siehe 7.6. Ein-Zeit (Timer I/O) auf Seite 24 sowie Abb. 15: Betriebsmodus Timer I/O auf Seite 24.

Sitzplatz: (Funktion ist nur in Kombination mit dem optionalen Sitzplatzsensor verfügbar)

Weitere Einstellungen siehe 7.5. Sitzplatz-Zeit (optional bei Sitzplatzsensor) auf Seite 23.

6.2. Betriebsart (Infrarotstrahler/ Infrarotplatte)

DIP-Bank 1

Funktionswahlschalter 3 und 4

Bei der Infra-Ansteuerung sind folgende Einstellungen möglich:

<i>Funktionswahl- schalter</i>	3	4
Schalten	OFF	OFF
Phasenanschnitt	ON	OFF
Halbwellen-Steuerung	OFF	ON

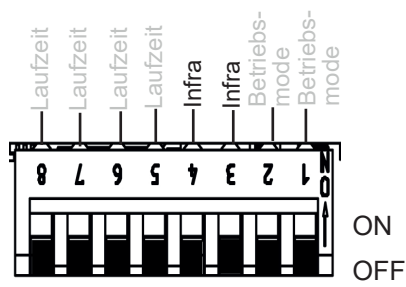


Abb. 10: Betriebsart Infra

ACHTUNG!

Die angegebenen Leistungsgrenzen dürfen nicht überschritten werden!

Um eine optimale Funktionalität zu gewährleisten, empfehlen wir die Funktion Phasenanschnitt für Infrarotstrahler mit sichtbarem Licht. Die Funktion Halbwellen-Steuerung ist für Infrarotplatten und Infrarotstrahler ohne sichtbarem Licht geeignet.

Schalten: Schalten der Infrarotstrahler oder Infrarotplatte mit einer Heizleistung von max. 3,5 kW. Keine Dimmfunktion.

Phasenanschnitt: Steuern (dimmen) der Infrarotstrahler/Infrarotplatte in 5 Stufen möglich bis 350 W.

Halbwellen-Steuerung: Steuern (dimmen) der Infrarotstrahler/Infrarotplatte in 5 Stufen möglich bis 1,3 kW.

6.3. Laufzeit

DIP-Bank 1

Funktionswahlschalter 5 - 8

Die maximale Laufzeit ist standardmäßig auf 6 h eingestellt. Die Infrarotsteuerung schaltet sich nach Ablauf der maximalen Laufzeit aus Sicherheitsgründen automatisch ab.

Über die Funktionswahlschalter im Anschlussbereich für Kleinspannung kann die maximale Laufzeit angepasst werden. Die dafür erforderliche Position der Funktionswahlschalter finden Sie in der folgenden Tabelle.

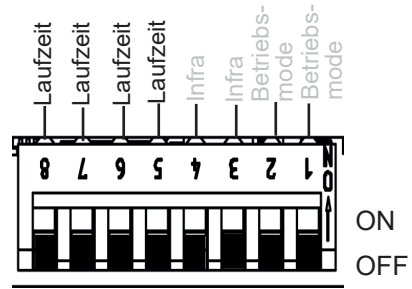


Abb. 11: Laufzeit



Die EN 60335-2-53 schreibt für private Saunen eine maximale Heizzeitbegrenzung von 6 h vor. Für Saunen in Hotels, Wohnblöcken und ähnlichen Standorten ist eine Heizzeitbegrenzung von maximal 12 h zulässig. Die Erweiterung der Heizzeitbegrenzung auf 18 h oder 24 h ist nur in öffentlichen Saunen gestattet.

DE

Zeit	Funktionswahlschalter			
	5	6	7	8
5 min	ON	ON	ON	ON
10 min	OFF	ON	ON	ON
15 min	ON	OFF	ON	ON
30 min	ON	ON	OFF	ON
45 min	OFF	ON	OFF	ON
60 min	ON	OFF	OFF	ON

Zeit	Funktionswahlschalter			
	5	6	7	8
2 h	OFF	OFF	OFF	ON
3 h	ON	ON	ON	OFF
4 h	OFF	ON	ON	OFF
5 h	ON	OFF	ON	OFF
6 h	OFF	OFF	OFF	OFF
12 h	ON	OFF	OFF	OFF
18 h	OFF	ON	OFF	OFF
24 h	ON	ON	OFF	OFF

6.4. Folienfühler

DIP-Bank 4

Funktionswahlschalter 3

Wenn an den Infrarotausgang Infrarotplatten angeschlossen werden, muss der Folienfühler WC4-IRF-F verwendet werden. Der Folienfühler muss laut nebenstehender Abbildung durch die Stellung des Schalters 3 auf ON aktiviert werden.

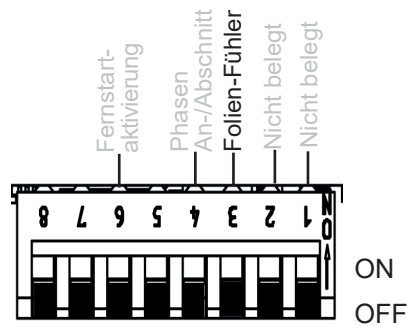


Abb. 12: Folienfühler

6.5. Sitzplatz-Zeit (optional bei Sitzplatzsensor)

DIP-Bank 2

Funktionswahlschalter 1 und 2

Durch Auswahl der Sitzplatz-Zeit kann die Zeit für den optional erhältlichen Sitzplatzsensor eingestellt werden. Nach Ablauf der eingestellten Laufzeit schaltet sich der Infrarotstrahler/Infrarotplatte automatisch ab.

Über die Funktionswahlschalter kann die Laufzeit angepasst werden. Die dafür erforderliche Position der Funktionswahlschalter finden Sie in der folgenden Tabelle.

Funktionswahlschalter	1	2
5 min	OFF	OFF
10 min	ON	OFF
15 min	OFF	ON
20 min	ON	ON

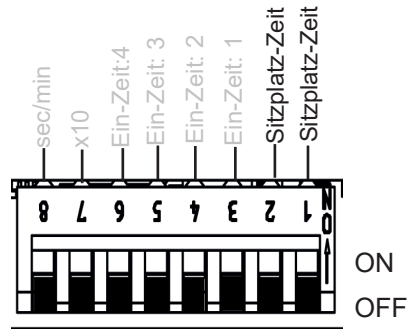
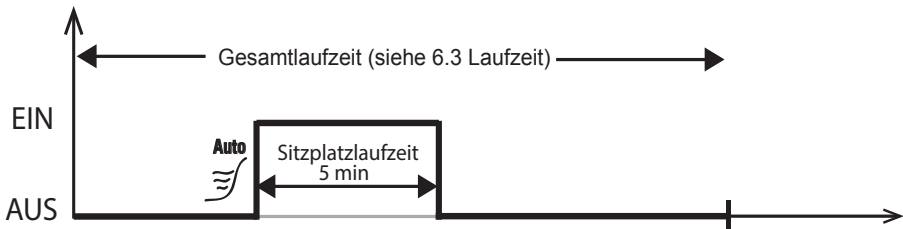


Abb. 13: Sitzplatz-Zeit

DE

Hinweis: Betriebsmodus Sitzplatz (siehe 7.1. Betriebsmodus auf Seite 19) muss aktiviert sein um die Funktion nutzen zu können.

Beispiel: Sitzplatz-Zeit: 5 min



6.6. Ein-Zeit (Timer I/O)

DIP-Bank 2

Funktionswahlschalter 3 - 6

Hinweis: Zur Aktivierung der Ein-Zeit sind weitere Einstellungen erforderlich siehe 6.1. Betriebsmodus auf Seite 19 sowie Abb. 15: Betriebsmodus Timer I/O auf Seite 25.

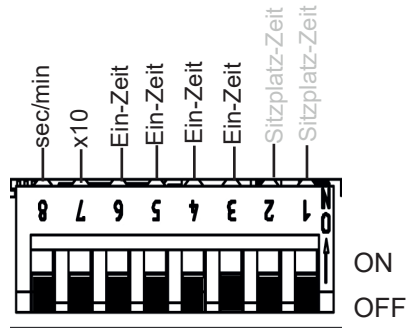


Abb. 14: Ein-Zeit

Funktion der Ein-Zeit: der Ausgang beginnt nach Einschalten der Steuerung gemäß den eingestellten Zeiten zu laufen bzw. zu takten.

Ein-Zeit: Einstellen der Zahl (Timerfunktion). Schalterposition des gewünschten Wertes auf ON laut folgender Tabelle.

x10 - Multiplikator (7): Die über die Werte eingestellte Zahl wird mit 10 multipliziert. OFF = deaktiviert, ON = aktiviert

sec/min - Einheit (8): Umschalten von Sekunden auf Minuten. OFF = Sekunden, ON = Minuten

Beispiel: Einstellzeit 3 min

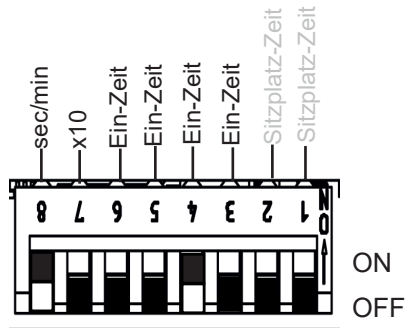


Abb. 15: Beispiel Ein-Zeit

Zeit	Funktionswahlschalter			
	6	5	4	3
1	OFF	OFF	OFF	OFF
2	OFF	OFF	OFF	ON
3	OFF	OFF	ON	OFF
4	OFF	OFF	ON	ON
5	OFF	ON	OFF	OFF
6	OFF	ON	OFF	ON
7	OFF	ON	ON	OFF
8	OFF	ON	ON	ON
9	ON	OFF	OFF	OFF
10	ON	OFF	OFF	ON
11	ON	OFF	ON	OFF
12	ON	OFF	ON	ON
13	ON	ON	OFF	OFF
14	ON	ON	OFF	ON
15	ON	ON	ON	OFF
16	ON	ON	ON	ON

DE

Betriebsmodus Timer I/O (Ein/Aus): im Betriebsmodus Ein/Aus schaltet sich die Steuerung nach Ablauf der eingestellten Ein-Zeit aus und wird nicht erneut aktiviert.

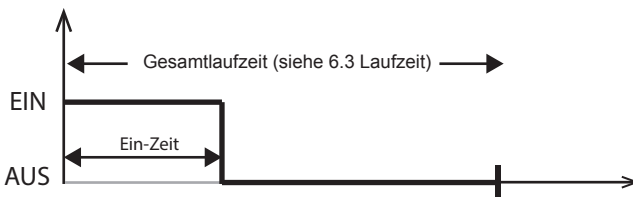


Abb. 16: Betriebsmodus Timer I/O

6.7. Phasen An-/Abschnitt

DIP-Bank 4

Funktionswahlschalter 4

Einstellmöglichkeiten:

Phasenanschnitt: OFF (Standard)

Phasenabschnitt: ON

Zur Aktivierung des Phasen An-/Abschnitts sind weitere Einstellungen erforderlich siehe 6.1. Betriebsmodus auf Seite 19.

Funktion verfügbar im Modus Normal.

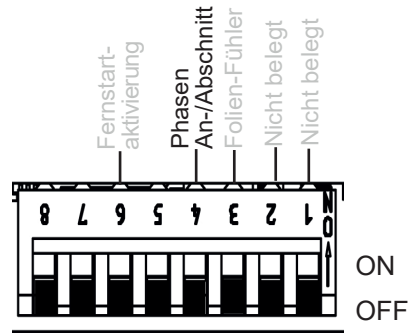


Abb. 17: Phase An-/Abschnitt

Wird die Betriebsart Phasenanschnitt (siehe 6.2. Betriebsart (Infrarotstrahler/ Infrarotplatte) auf Seite 20) gewählt, besteht die Möglichkeit zwischen Phasen An-/Abschnitt zu wählen.

6.8. HV-Eingang (Freischalteingang)

DIP-Bank 4

Funktionswahlschalter 6

Freischalteingang (ON-Stellung)

Steuerung kann nur eingeschaltet werden, wenn am HV-Eingang 230 VAC anliegen. Diese Funktion kann beispielsweise in Kombination mit einem Münzautomat genutzt werden.

Siehe auch 5.4. HV-Eingang (Freischalteingang) anschließen auf Seite 19.

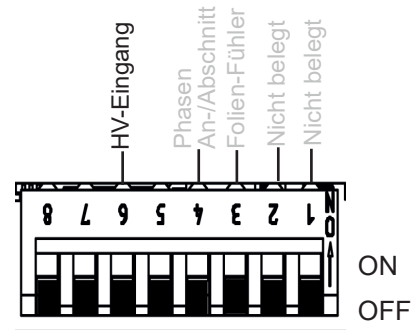


Abb. 18: HV-Eingang

7. Prüfungen durchführen

Die folgenden Prüfungen müssen von einem zugelassenen Elektroinstallateur durchgeführt werden.



WARNUNG!

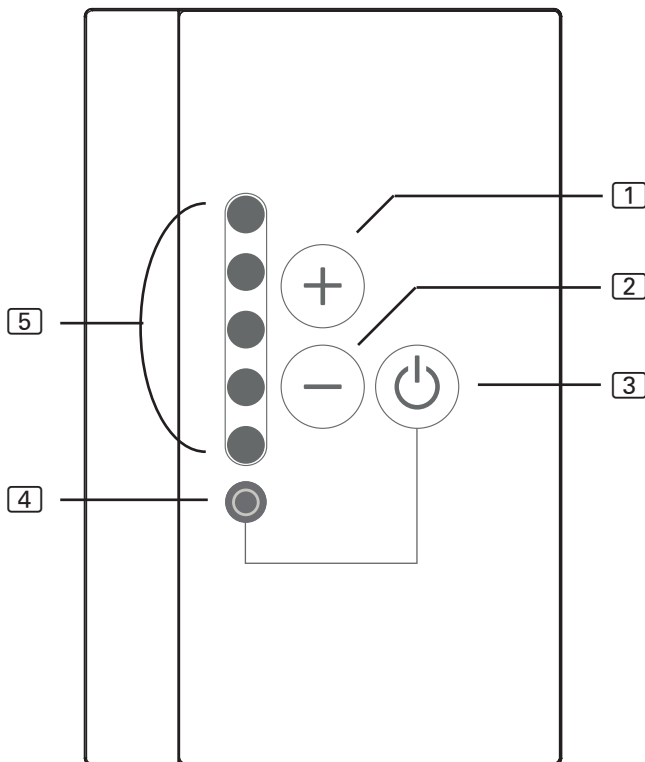
Die folgenden Prüfungen werden bei eingeschalteter Stromversorgung durchgeführt. Es besteht die Gefahr eines Stromschlages.

- Berühren Sie NIEMALS spannungsführende Teile.

1. Prüfen Sie den Kontakt der Erdungsleitungen an der Schutzleiterklemme.
2. Bei Verwendung eines Folienfühlers (siehe Abb. 6: Anschlussbereich Fühler/Bedienteil auf Seite 15)
 - a. Stecken Sie den Fühler aus. Fehlercode 3 (siehe 11.1. Fehlermeldungen auf Seite 30) wird angezeigt.
 - b. Wird der richtige Fehlercode angezeigt, stecken Sie den Fühler wieder an.
3. Bei Verwendung eines Sicherheitstemperaturbegrenzer (STB) (siehe Abb. 6: Anschlussbereich Fühler/Bedienteil auf Seite 15)
 - a. Stecken Sie den Sicherheitstemperaturbegrenzer (STB) aus. Fehlercode 2 (siehe 11.1. Fehlermeldungen auf Seite 30) wird angezeigt.
 - b. Wird der richtige Fehlercode angezeigt, stecken Sie den STB wieder an.
4. Bei Verwendung von Infrarotplatte/Infrarotstrahler (siehe Abb. 7: Anschlussbereich für 230 V auf Seite 16)
 - a. Überprüfen Sie diese auf Funktionalität.

8. Bedienung

8.1. Bezeichnung Bedienelemente



1 Intensität erhöhen/
Betriebsmodus Normal: Ein

2 Intensität verringern/
Betriebsmodus Normal: Aus

3 EIN/AUS-Taster

4 Betriebsanzeige

5 Intensitätsanzeige/
Ein/Aus Anzeige

**WARNUNG!**
Brandgefahr

- Stellen Sie sicher, dass keine brennbaren Gegenstände über dem Infrarotstrahler bzw. der Infrarotplatte hängen, bevor Sie die Infrarotsteuerung einschalten.

8.2. Infrarotsteuerung einschalten

1. Drücken Sie den EIN/AUS-Taster **[3]**, um die Infrarotsteuerung einzuschalten.
 - ▶ Die Betriebsanzeige **[4]** leuchtet.
2. Wählen Sie mit dem Intensitäts-Wähler **[1]** und **[2]** die gewünschte Intensität der Funktion.
 - ▶ Der Infrarotstrahler/die Infrarotplatte beginnt zu heizen.

8.3. Dimmfunktion Infrarotstrahler / Infrarotplatte

Steuern (dimmen) der Infrarotstrahler/Infrarotplatte in 5 Stufen möglich. Beim Wert 0 ist der Infrarotstrahler/die Infrarotplatte ausgeschaltet, Wert 5 entspricht der vollen Leistung.

Funktion nur möglich in Betriebsarten: Phasenanschnitt und Halbwellensteuerung
Zur Aktivierung der Funktion sind weitere Einstellungen erforderlich siehe Kapitel 6.2. Betriebsart (Infrarotstrahler/Infrarotplatte) auf Seite 20.

Funktion nur möglich in Betriebsmodus: Normal und Sitzplatz

Zur Aktivierung der Funktion sind weitere Einstellungen erforderlich siehe Kapitel 6.1. Betriebsmodus auf Seite 19.

1. Stellen Sie mit den Intensitäts-Wähler **[1]** und **[2]** die gewünschte Infrarotstrahler-/Infrarotplatten-Intensität ein.
 - ▶ Die Infrarotstrahler / Infrarotplatte wird eingeschalten.
 - ▶ Die Intensitäts-Anzeige **[5]** leuchtet.

8.4. Sitzplatzsensor (optional)

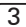
Bei Verwendung eines Sitzplatzsensor (optional erhältliches Zubehör) schaltet sich der Infrarotausgang für die eingestellte Sitzplatzzeit automatisch ein, wenn Sie sich davor setzen. Die Infrarotsteuerung muss dafür eingeschaltet sein (siehe 8.2 Infrarotsteuerung einschalten)

9. Problemlösung

9.1. Fehlermeldungen

Die Infrabox Basic ist mit einer Diagnosesoftware ausgestattet, die beim Einschalten und im Betrieb die Systemzustände überprüft. Sobald die Diagnosesoftware einen Fehler erkennt, schaltet die Steuerung den Infrarotausgang aus.

Fehler werden durch Blinken der LEDs angezeigt.

Schalten Sie die Infrarotsteuerung mit dem EIN/AUS-Schalter  (siehe 9.1. Bezeichnung Bedienelemente auf Seite 28) aus, trennen Sie das Kabel vom Netz und beheben Sie den Fehler bevor Sie die Infrarotsteuerung wieder einschalten.

Die folgende Tabelle beschreibt die möglichen Fehler und deren Ursache. Bei Bedarf teilen Sie die Anzahl der leuchtenden LEDs Ihrem Kundendienst mit.

<i>Anzahl-LED</i>	<i>Fehler</i>	<i>Ursache / Behebung</i>
1	Allgemein	Bitte wenden Sie sich an den Kundensupport.
2	Sicherheitstemperaturbegrenzer (STB) Bruch	Sicherheitstemperaturbegrenzer überprüfen oder Brücke in Klemme STB setzen.
3	Folien-Temperaturfühler gebrochen oder Kurzschluss	Defekter Temperaturfühler oder schlechter Kontakt oder Kurzschluss
4	Folienfühler-Übertemperatur	Die maximale Folientemperatur von 100° C wurde überschritten. Fühler muss via DIP aktiviert werden.
5	Kommunikationsfehler zwischen Bedienteil und Leistungsteil	Schlechter Kontakt oder defektes Verbindungskabel. Bitte wenden Sie sich an den Kundensupport.

10. Reinigung und Wartung

10.1. Reinigung

ACHTUNG!**Schäden am Gerät**

Die Infrabox ist spritzwassergeschützt, trotzdem kann direkter Kontakt mit Wasser das Gerät beschädigen.

- Tauchen Sie das Gerät NIEMALS in Wasser.
 - Übergießen Sie das Gerät nicht mit Wasser.
 - Reinigen Sie das Gerät nicht zu feucht.
-

1. Tränken Sie ein Reinigungstuch in milder Seifenlauge.
2. Drücken Sie das Reinigungstuch gut aus.
3. Wischen Sie das Gehäuse der Infrarotsteuerung vorsichtig ab.

10.2. Wartung

Die Infrarotsteuerung ist wartungsfrei.

11. Entsorgung



- Entsorgen Sie die Verpackungsmaterialien nach den gültigen Entsorgungsrichtlinien.
- Altgeräte enthalten wiederverwendbare Materialien, aber auch schädliche Stoffe. Geben Sie Ihr Altgerät deshalb auf keinen Fall in den Restmüll, sondern entsorgen Sie das Gerät nach den örtlich geltenden Vorschriften.

12. Technische Daten

Bedienteil

Anschluss:	4-polig mit Versorgungs- und Kommunikationsleitungen
Netzspannung:	5 VDC
Leistung:	<0,5 W
Lagertemperatur:	-25° C bis +70° C
Umgebungstemperatur:	-10° C bis +110° C
Luftfeuchtigkeit:	max. 99% rel. Feuchte, nicht kondensierend!
Abmessung: L x B x T	63 x 104 x 38 mm
Montageausschnitt: L x B	48 x 60 mm

Leistungsteil

Nennspannung	230 VAC
Abmessung	195 x 119 x 48 mm
Anschlussleitung	3 x 1,5 mm ² für Licht, Elektronik und Heizelemente
Schaltleistung / Heizgerät	
Phasenanschnitt	350 W
Halbwellensteuerung	1,3 kW
Schalten	3,5 kW
Umgebungsbedingungen	10° C bis +40° C

Thermische Sicherheit

Automatische Heizzeitbegrenzung einstellbar (6 h, 12 h, 18 h, 24 h)*

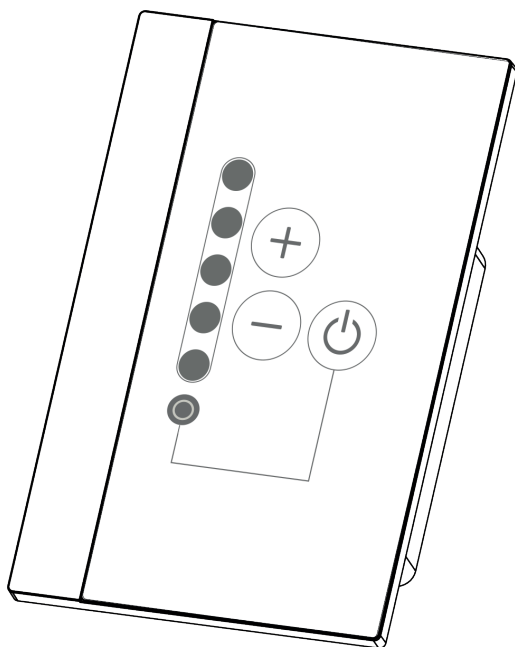
* Die EN 60335-2-53 schreibt für private Saunen eine Heizzeitbegrenzung von 6 h vor. Für Saunen in Hotels, Wohnblöcken und ähnlichen Standorten ist eine Heizzeitbegrenzung von 12 h zulässig. Die Erweiterung der Heizzeitbegrenzung auf 18 h oder 24 h ist nur in öffentlichen Saunen gestattet.



Commande infrarouge

Infrabox basic S

INSTRUCTIONS DE MONTAGE ET MODE D'EMPLOI
Français



FR

Kit Infrabox basic S
Kit Infrabox basic blanc S

1-035-705 / IRB-BS-S
1-039-847 / IRB-BS-W-S

Table des matières

1. Concernant ces instructions	4
2. Remarques importantes pour votre sécurité	5
2.1. Usage conforme	5
2.2. Consignes de sécurité pour le monteur	7
2.3. Consignes de sécurité pour l'utilisateur	8
3. Description du produit	9
3.1. Contenu de la livraison	9
3.2. Accessoires en option	9
3.3. Fonctions du produit	9
4. Montage	11
4.1. Montage du bloc de puissance	11
4.2. Montage du panneau de commande	12
4.3. Montage du capteur de température du film	14
5. Branchements électriques	15
5.1. Zone de raccordement pour panneau de commande / capteur / capteur de siège	15
5.2. Zone de raccordement pour 230 V	16
5.3. Raccordement du capteur du film (en option)	17
5.4. Raccordement du capteur de siège (en option)	17
5.5. Raccordement de l'entrée HV (entrée de validation)	17
5.6. Raccordement du limiteur de température de sécurité (en option)	17
5.7. Raccordement de l'émetteur infrarouge/de la plaque à infrarouge	17

6. Mise en service	18
6.1. Mode de fonctionnement	19
6.2. Mode de fonctionnement (émetteur infrarouge/plaque infrarouge)	20
6.3. Durée de fonctionnement	21
6.4. Capteur du film	22
6.5. Temps de siège (en option avec capteur de siège)	23
6.6. Temps de marche (minuterie I/O)	24
6.7. Commande de phases	26
6.8. Entrée HV (entrée de validation)	26
7. Exécution des contrôles	27
8. Utilisation	28
8.1. Désignation des éléments de commande	28
8.2. Mise en marche de la commande infrarouge	29
8.3. Fonction de gradation émetteur infrarouge/plaque infrarouge	29
8.4. Capteur de siège (en option)	29
9. Dépannage	30
9.1. Messages d'erreur	30
10. Nettoyage et entretien	31
10.1. Nettoyage	31
10.2. Entretien	31
11. Élimination	31
12. Caractéristiques techniques	32

1. Concernant ces instructions

Lisez attentivement ces instructions de montage et ce mode d'emploi et conservez-les à proximité de la commande infrarouge. Vous pouvez ainsi consulter à tout moment des informations concernant son utilisation et relatives à votre sécurité.



Ces instructions de montage et ce mode d'emploi sont également disponibles dans la rubrique de téléchargement de notre site Internet www.sentiotec.com/downloads.

Symboles d'avertissement

Dans les instructions de montage et le mode d'emploi, un avertissement précède les activités représentant un danger. Conformez-vous impérativement à ces avertissements. Vous éviterez ainsi des dommages matériels et des blessures qui, dans le pire des cas, peuvent être mortelles.

Ces avertissements utilisent des termes clés qui ont la signification suivante :



DANGER !

Si vous ne respectez pas cet avertissement, il y a un risque de blessures graves, voire mortelles.



AVERTISSEMENT !

Si vous ne respectez pas cet avertissement, il y a un risque éventuel de blessures graves, voire mortelles.



PRUDENCE !

Si vous ne respectez pas cet avertissement, il y a un risque éventuel de blessures légères.

ATTENTION !

Ce terme clé vous avertit de dommages matériels éventuels.

Autres symboles



Ce symbole désigne les conseils et indications utiles.



Ne pas couvrir !



Lire le mode d'emploi

2. Remarques importantes pour votre sécurité

La commande infrarouge Infrabox basic est conçue selon des règles techniques de sécurité reconnues. Cependant, des dangers peuvent survenir lors de l'utilisation. C'est pourquoi vous devez suivre les consignes de sécurité suivantes et les avertissements spécifiques des différents chapitres. Conformez-vous aux consignes de sécurité des appareils raccordés.

2.1. Usage conforme

La commande infrarouge Infrabox basic sert exclusivement à la commande et à l'utilisation des émetteurs infrarouge/de la plaque infrarouge.



La commande infrarouge Infrabox est conçue pour l'utilisation avec des émetteurs infrarouge et des plaques infrarouge à sécurité intrinsèque. Si aucun produit à sécurité intrinsèque n'est utilisé, le raccordement d'un limiteur de température de sécurité est obligatoire.

À ce sujet, tenez compte également des consignes du mode d'emploi correspondant. La commande infrarouge Infrabox basic doit être utilisée uniquement pour la commande d'une puissance max. de 3,5 kW.

Vue d'ensemble des modes de fonctionnement :

Commutable : jusqu'à 3,5 kW

Commande à demi-ondes (variable) : jusqu'à 1,3 kW

Activation de phases (variable) : jusqu'à 350 W

Émetteurs infrarouges adaptés : DIR-350-R, WIR-350-R, DIR-500-R, WIR-500-R, DIR-750-R, WIR-750-R, DIR-1300-R, WIR-1300-R, ECO-350-R, ECO-350-G, ECO-500-R, ECO-500-G, ECO-750-R, O-IRC-W

Plaques infrarouges adaptées : IR-WP-175, IR-WP-100, IR-WP-390, IR-WP-510, IR-WPHL-510, IR-WPHL-100, IR-WPHL-390, IR-WPHL-175

ATTENTION !

Utilisez les plaques infrarouges uniquement avec le capteur du film en option WC4-IRF-F.

Avant la mise en service de la commande, vérifiez que la cabine est en état de fonctionner.

- Utilisez uniquement la ligne de raccordement secteur pour la Suisse (IR-CP-CH), comprise dans la livraison ou en option.
- Le bloc de puissance doit être monté et utilisé uniquement avec le panneau de commande compris dans la livraison.

Toute autre utilisation est considérée comme un usage non conforme. Un usage non conforme peut endommager le produit et provoquer de graves blessures, voire la mort.

2.2. Consignes de sécurité pour le monteur

- Seul un électricien spécialisé ou une personne ayant une qualification similaire est habilité à procéder au montage des raccordements par serrage.
- Le montage des raccordements enfichables peut être effectué par l'utilisateur.
- Les travaux de montage et de raccordement de la commande infrarouge doivent être effectués uniquement lorsque l'appareil n'est pas sous tension.
- Respectez également les dispositions légales du lieu d'installation.
- Avant d'allumer la commande infrarouge, assurez-vous qu'aucun objet inflammable ne se trouve au-dessus de l'émetteur infrarouge ou de la plaque infrarouge.
- Si certains problèmes ont été insuffisamment traités dans les instructions de montage et d'utilisation, adressez-vous à votre fournisseur pour votre propre sécurité.

2.3. Consignes de sécurité pour l'utilisateur

- La commande infrarouge ne doit pas être utilisée par des enfants de moins de 8 ans.
- La commande infrarouge peut être utilisée par des enfants de plus de 8 ans, par des personnes ayant des capacités psychiques, sensorielles ou mentales limitées et par des personnes manquant d'expérience et de connaissances uniquement :
 - lorsqu'ils sont surveillés ;
 - lorsque l'utilisation en toute sécurité leur a été montrée et qu'ils comprennent les dangers qui peuvent survenir.
- Les enfants ne doivent pas jouer avec l'appareil.
- Les enfants de moins de 14 ans peuvent nettoyer l'appareil uniquement s'ils sont surveillés.
- Pour des raisons de santé, n'utilisez pas la commande infrarouge lorsque vous êtes sous l'influence de l'alcool, de médicaments ou de drogues.
- Avant d'allumer la commande infrarouge, assurez-vous qu'aucun objet inflammable ne se trouve au-dessus de l'émetteur infrarouge ou de la plaque infrarouge.
- Pour votre sécurité, adressez-vous à votre fournisseur si le mode d'emploi ne traite pas exhaustivement de certains problèmes.

3. Description du produit

3.1. Contenu de la livraison

- Panneau de commande Infrabox basic
- Bloc de puissance Infrabox basic
- Ligne de raccordement secteur 2,5 m (IR-CP-EU)
- Matériel de montage
- Mode d'emploi
- Prise HV

3.2. Accessoires en option

- Capteur du film (WC4-IRF-F) avec ligne de raccordement de 5 m
- Capteur de siège (IRB-F-S) avec ligne de raccordement de 1 m
- Prise d'émetteur infrarouge (numéro d'article : WC4-P-RA)
- Ligne de raccordement secteur infrarouge 2,5 m Suisse (numéro d'article : IR-CP-CH)

3.3. Fonctions du produit

La commande infrarouge Infrabox dispose des fonctions suivantes :

- Commutation des émetteurs infrarouge ou de la plaque infrarouge avec une puissance de chauffage max. de 3,5 kW
- Commande (variable) de la commande infrarouge selon 5 niveaux avec commande à demi-ondes (jusqu'à 1,3 kW)
- Commande (variable) de la commande infrarouge selon 5 niveaux avec commande de phases (jusqu'à 350 W)
- Fonction de capteur de siège (accessoire en option)
- Fonction minuterie
- Fonction de démarrage à distance



La commande infrarouge Infrabox Basic est conçue pour l'utilisation avec des émetteurs infrarouge et des plaques infrarouge à sécurité intrinsèque. Si aucun produit à sécurité intrinsèque n'est utilisé, le raccordement d'un limiteur de température de sécurité est obligatoire.

- Si des émetteurs infrarouges sont raccordés, ils doivent disposer d'un limiteur de température de sécurité. Pour les émetteurs infrarouge adaptés, voir 2.1. Usage conforme à la page 5.
- Si des plaques infrarouges sont raccordées, le capteur du film WC4-IRF-F doit être utilisé et activé (voir 4.3. Montage du capteur de température du film à la page 14 et 5.3. Raccordement du capteur du film (en option) à la page 17). Pour les plaques infrarouge adaptées, voir 2.1. Usage conforme à la page 5.
- Limitation automatique de la durée de chauffage
Pour des raisons de sécurité, la commande infrarouge s'arrête automatiquement au bout du temps de chauffage maximal (voir également 6.3. Durée de fonctionnement à la page 21).



La norme EN 60335-2-53 prévoit une limitation de la durée de chauffage à 6 h maximum pour les cabines infrarouge. Pour les cabines infrarouge dans les hôtels, les immeubles et les endroits similaires, la limitation de la durée de chauffage peut atteindre un maximum autorisé de 12 h. Une extension de la limitation de la durée de chauffage à 18 h ou à 24 h est autorisée pour les cabines infrarouge publiques uniquement.

4. Montage

4.1. Montage du bloc de puissance

Le montage du bloc de puissance s'effectue sur le plafond de la cabine (voir Fig. 1), sur la paroi de la cabine ou dans un autre endroit selon les conditions ambiantes. L'alimentation électrique s'effectue par une ligne de raccordement secteur avec prise à contact de sécurité.

ATTENTION !

Endommagement de l'appareil

- Montez le bloc de puissance dans un endroit sec. Veillez à ce que la température ambiante ne dépasse pas 40 °C et à ce que l'humidité de l'air soit de 95 % au maximum.
- Afin de refroidir le bloc de puissance, l'air doit pouvoir circuler. Le bloc de puissance ne doit pas être recouvert par des objets ou des matériaux.

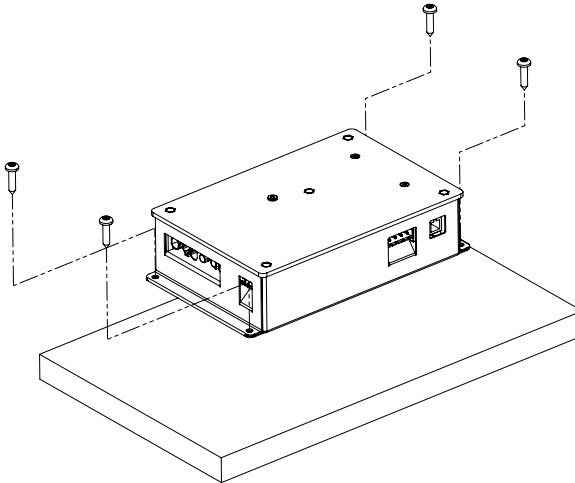


Fig. 1 Montage du bloc de puissance

1. Vissez le boîtier du bloc de puissance Infrabox avec les quatre vis à bois fournies (longueur 16 mm) au plafond ou à la paroi de la cabine.

4.2. Montage du panneau de commande

Le panneau de commande [2] de la commande infrarouge est monté sur la paroi extérieure de la cabine à une distance maximale de 10 mètres du bloc de puissance [1] (voir Fig. 2). Pour le montage, une scie sauteuse usuelle, par exemple, est nécessaire pour réaliser la découpe pour le panneau de commande. Il est possible de monter le panneau de commande aussi bien dans la cabine qu'à l'extérieur de la cabine.

*En cas de montage à l'intérieur d'une cabine de sauna, respecter une distance minimale de 30 cm par rapport au plafond de la cabine (voir Fig. 2 Position du panneau de commande à la page 12).

ATTENTION !

Endommagement de l'appareil

- Le panneau de commande [2] de la commande infrarouge est protégé contre les projections d'eau (degré de protection X4).
- Utilisez un tournevis manuel pour travailler sur le panneau de commande. L'utilisation d'un tournevis électrique peut provoquer un endommagement irréversible du boîtier !

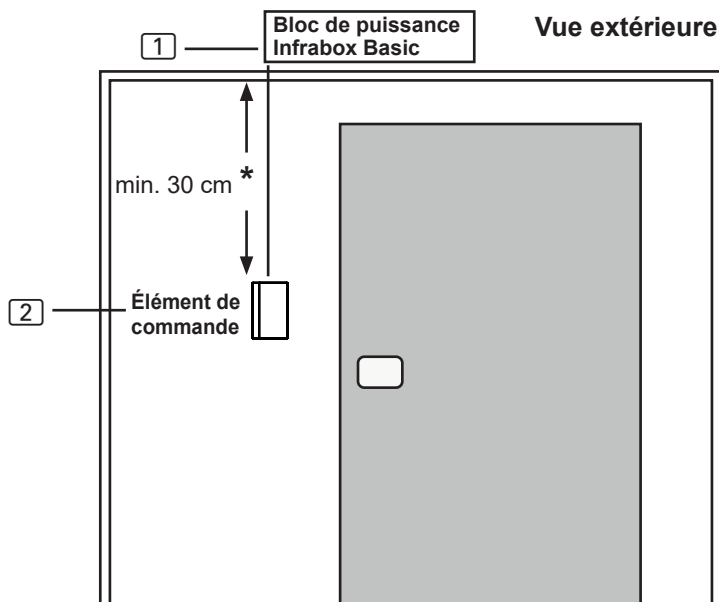


Fig. 2 Position du panneau de commande

* en cas de montage dans la cabine

1. Découpez l'évidement de 60 x 48 mm avec, par exemple, une scie sauteuse.
2. Prévoyez des câblages pour la ligne de connexion.
3. Vissez le boîtier à la paroi de la cabine par les trous au moyen des 4 vis à bois fournies.

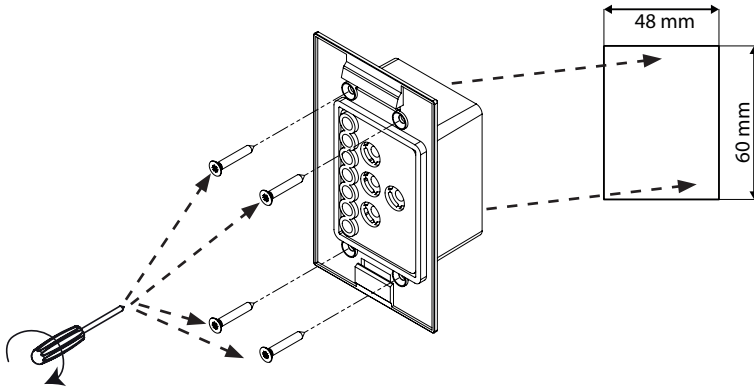


Fig. 3 Montage du panneau de commande

4. Enfoncez la plaque avant du panneau de commande dans le boîtier en exerçant une légère pression. Veillez à ce que le crochet de fixation inférieur s'emboîte bien.

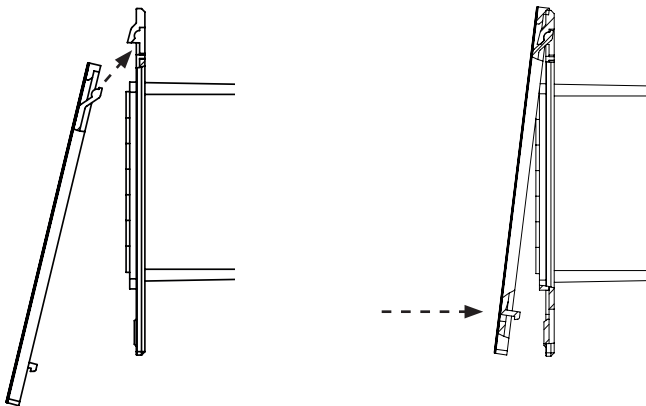


Fig. 4 Montage du panneau de commande

5. Raccordez le connecteur à 4 pôles à la prise RJ11 du panneau de commande.

4.3. Montage du capteur de température du film



Le capteur de température du film est nécessaire uniquement pour les systèmes de chauffage à plaques infrarouge. Tenez compte en outre des indications du fabricant du système de chauffage à plaques infrarouge.

Le capteur de température du film est monté directement sur la plaque infrarouge et fixé avec une sécurité contre la traction (voir Fig. 5 : Montage du capteur de température du film à la page 14).

Montez la tête **1** du capteur de température du film directement entre le matériau isolant et le film chauffant **4**.

1. Fixez le capteur de température du film avec la sécurité contre la traction **2** en dehors de la zone du film.
2. Posez le câble à 2 pôles **3** dans la paroi de la cabine et fixez-le avec des serre-câbles.
3. L'utilisation d'un capteur de température du film doit être activée (6.4. Capteur du film à la page 22).

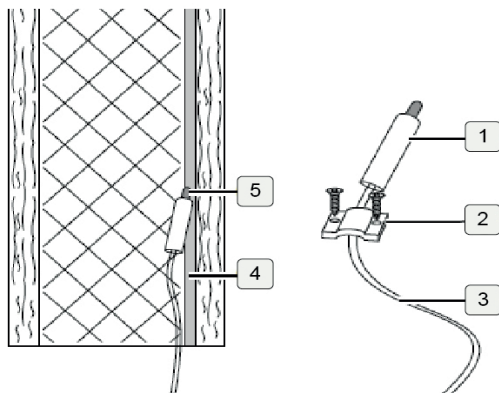


Fig. 5 : Montage du capteur de température du film



Si le capteur de température du film n'est pas monté directement au niveau de la plaque infrarouge, cela fausse les valeurs de mesure. Montez le capteur de température du film directement sur le film.

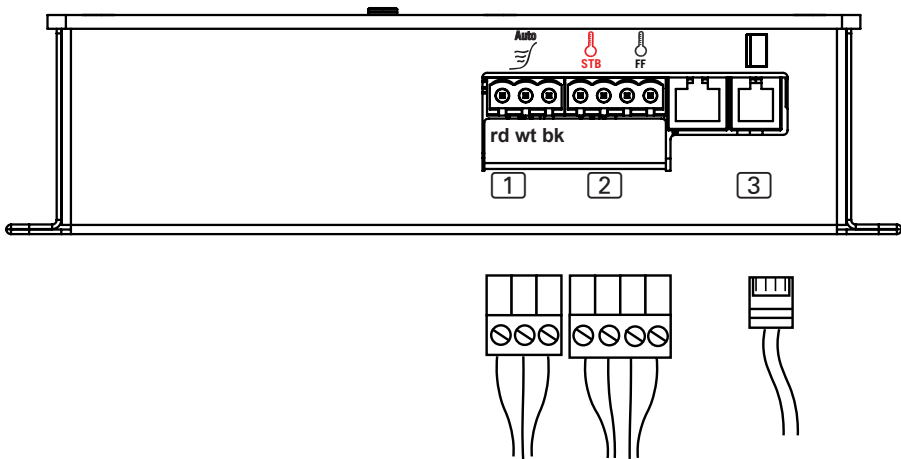
5. Branchements électriques

Lors du raccordement électrique de la commande infrarouge, tenez compte des points suivants :

- Les travaux sur la commande infrarouge doivent être effectués uniquement lorsque l'appareil n'est pas sous tension.

Le raccordement de tous les composants sur le bloc de puissance Infrabox Basic s'effectue conformément aux figures suivantes :

5.1. Zone de raccordement pour panneau de commande / capteur / capteur de siège



- 1 Capteur de siège (en option)
2 Capteur de température du film
Limiteur de température de sécurité
3 Panneau de commande Infrabox

rd = red = rouge
wt = white = blanc
bk = black = noir

Fig. 6 : Zone de raccordement de panneau de commande / capteur / capteur de siège

5.2. Zone de raccordement pour 230 V

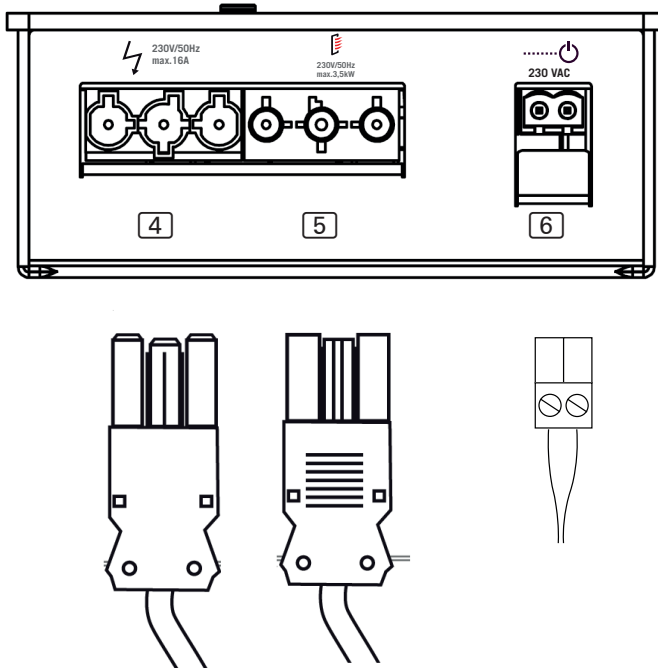


Fig. 7 : Zone de raccordement pour 230 V

- 4 Raccordement secteur 230 V/50 Hz max. 16 A
- 5 Émetteur infrarouge max. 3,5 kW
- 6 Activation à distance (230 V/50 Hz)

**AVERTISSEMENT !**
Dommages corporels

- Seul un électricien spécialisé ou une personne ayant une qualification similaire est habilité à procéder au montage des raccordements par serrage.

5.3. Raccordement du capteur du film (en option)

Raccordez le câble du capteur du film au niveau de la prise à 2 pôles au capteur, conformément à la Fig. 6 : Zone de raccordement de panneau de commande / capteur / capteur de siège à la page 15.

**5.4. Raccordement du capteur de siège (en option)**

Raccordez le câble du capteur de siège au niveau de la prise à 3 pôles pour capteur de siège, conformément à la Fig. 6 : Zone de raccordement de panneau de commande / capteur / capteur de siège à la page 15. À ce sujet, tenez compte également des consignes du mode d'emploi correspondant.

**5.5. Raccordement de l'entrée HV (entrée de validation)**

L'entrée est activée par la présence de la tension alternative (230 V / 50 Hz). L'entrée est raccordée grâce à la prise HV à 2 pôles selon Fig. 7 : Zone de raccordement pour 230 V à la page 16.



Vous trouverez les étapes précises pour l'activation au chapitre 6.8. Entrée HV (entrée de validation) à la page 26.

FR

5.6. Raccordement du limiteur de température de sécurité (en option)

En cas d'utilisation d'émetteurs infrarouge et de plaques infrarouge sans sécurité intrinsèque, le raccordement d'un limiteur de température de sécurité est obligatoire !



Le raccordement du câble de raccordement sur le limiteur s'effectue selon Fig. 6 : Zone de raccordement de panneau de commande / capteur / capteur de siège à la page 15.

5.7. Raccordement de l'émetteur infrarouge/ de la plaque à infrarouge

Raccordez l'émetteur infrarouge/la plaque à infrarouge au raccordement prévu selon Fig. 7 : Zone de raccordement pour 230 V à la page 16. À ce sujet, tenez compte également des consignes du mode d'emploi correspondant.



6. Mise en service

Par défaut, tous les sélecteurs de fonction sont réglés sur OFF.

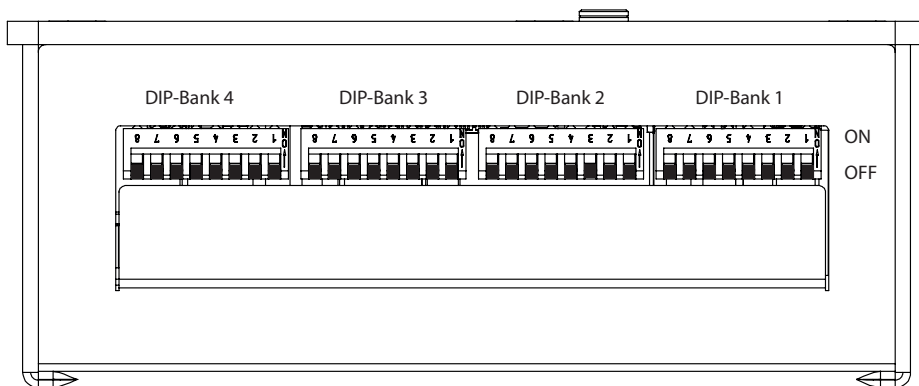


Fig. 8 : Sélecteur de fonction - réglage standard

Chaque barre de commutateurs DIP propose des options de réglage pour les fonctions du produit Infrabox Basic. Ces options sont citées et décrites en détail ci-dessous.

Dans le réglage de la fonction, la barre de commutateurs DIP, ainsi que le sélecteur de fonction permettant de procéder aux réglages sont cités.



Veillez à ce que la commande soit éteinte pendant 10 secondes après les modifications du réglage, et ce afin d'enregistrer les réglages.

À la livraison, les fonctions sont réglées comme suit par défaut :

Mode de fonctionnement : Normal

Type de fonctionnement : Commutation

Durée : 6 h

Capteur du film : Arrêt

Commande de phases : non activée

6.1. Mode de fonctionnement

Barre de commutateurs DIP 1

Sélecteurs de fonction 1 et 2

Les réglages suivants sont possibles en mode de fonctionnement :

Sélecteur de fonction	1	2
Normal	OFF	OFF
Minuterie I/O	ON	OFF
Siège (opt)	ON	ON

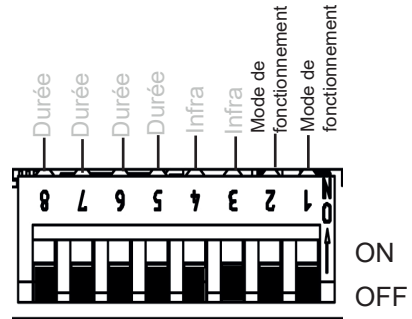


Fig. 9 : Mode de fonctionnement

Normal : Émetteur infrarouge/plaque infrarouge commutable ou variable.

L'activation de la fonction de gradation des émetteurs infrarouge/plaques infrarouge s'effectue via la commande infrarouge, voir 6.2. Mode de fonctionnement (émetteur infrarouge/plaque infrarouge) à la page 20.

Minuterie I/O (marche/arrêt) : en mode de fonctionnement marche/arrêt, la commande s'éteint après expiration du temps de marche réglé et n'est pas réactivée. Émetteur infrarouge/plaque infrarouge commutables.

Pour les autres réglages, voir 6.6. Temps de marche (minuterie I/O) à la page 24 et Fig. 16 : Mode de fonctionnement Minuterie I/O à la page 25.

Siège : (La fonction est disponible uniquement en combinaison avec le capteur de siège en option)

Pour les autres réglages, voir 6.5. Temps de siège (en option avec capteur de siège) à la page 23.

6.2. Mode de fonctionnement (émetteur infrarouge/plaque infrarouge)

Barre de commutateurs DIP 1 Sélecteurs de fonction 3 et 4

Sur la commande infrarouge, les réglages suivants sont possibles :

Sélecteurs de fonction	3	4
Commutation	OFF	OFF
Commande de phases	ON	OFF
Commande à demi-ondes	OFF	ON

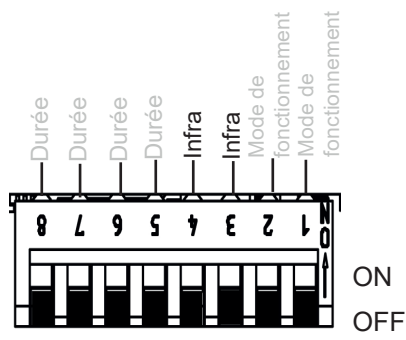


Fig. 10 : Type de
fonctionnement Infra

ATTENTION !

Les limites de puissance indiquées ne doivent pas être dépassées !

Afin de garantir une fonctionnalité optimale, nous recommandons la fonction de commande de phases pour l'émetteur infrarouge avec éclairage visible. La fonction de commande à demi-ondes est conçue pour les plaques infrarouge et les émetteurs infrarouge sans éclairage visible.

Commutation : commutation des émetteurs infrarouge ou de la plaque infrarouge avec une puissance de chauffage max. de 3,5 kW. Pas de fonction de gradation.

Activation de phases : commande (variable) des émetteurs infrarouge/plaques infrarouge selon 5 niveaux possible jusqu'à 350 W.

Commande à demi-ondes : commande (variable) des émetteurs infrarouge/plaques infrarouge selon 5 niveaux possible jusqu'à 1,3 kW.

6.3. Durée de fonctionnement

Barre de commutateurs DIP 1

Sélecteurs de fonction 5 à 8

La durée de fonctionnement maximale est réglée par défaut sur 6 h. La commande infrarouge s'arrête automatiquement au bout de la durée de fonctionnement maximale pour des raisons de sécurité.

Le sélecteur de fonction dans la zone de raccordement pour basse tension permet de régler la durée de fonctionnement maximale. Vous trouverez pour cela la position du sélecteur de fonction dans le tableau ci-dessous.

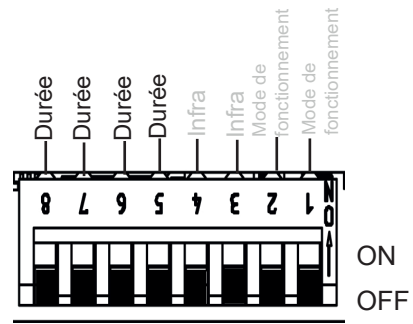


Fig. 11 : Durée



La norme EN 60335-2-53 prévoit une limitation de la durée de chauffage à 6 h maximum pour les saunas privés. Pour les saunas dans les hôtels, les immeubles et les endroits similaires, la limitation de la durée de chauffage peut atteindre un maximum autorisé de 12 h. Une extension de la limitation de la durée de chauffage à 18 h ou à 24 h est autorisée pour les saunas publics uniquement.

FR

Durée	Sélecteur de fonction			
	5	6	7	8
5 min	ON	ON	ON	ON
10 min	OFF	ON	ON	ON
15 min	ON	OFF	ON	ON
30 min	ON	ON	OFF	ON
45 min	OFF	ON	OFF	ON
60 min	ON	OFF	OFF	ON

<i>Durée</i>	<i>Sélecteur de fonction</i>			
	5	6	7	8
2 h	OFF	OFF	OFF	ON
3 h	ON	ON	ON	OFF
4 h	OFF	ON	ON	OFF
5 h	ON	OFF	ON	OFF
6 h	OFF	OFF	OFF	OFF
12 h	ON	OFF	OFF	OFF
18 h	OFF	ON	OFF	OFF
24 h	ON	ON	OFF	OFF

6.4. Capteur du film

Barre de commutateurs DIP 4 Sélecteur de fonction 3

Si des plaques infrarouge sont branchées à la sortie infrarouge, il faut employer le capteur de film WC4-IRF-F. Selon la figure ci-contre, le capteur de film doit être activé par la position du commutateur 3 sur ON.

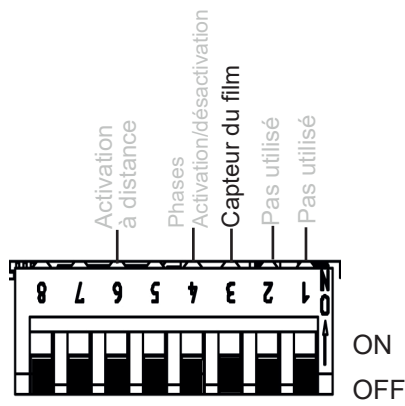


Fig. 12 : Capteur du film

6.5. Temps de siège (en option avec capteur de siège)

Barre de commutateurs DIP 2

Sélecteurs de fonction 1 et 2

La sélection du temps de siège permet de régler le temps pour le capteur de siège disponible en option. Après expiration du temps de fonctionnement réglé, l'émetteur infrarouge/la plaque infrarouge s'éteint automatiquement.

Le sélecteur de fonction permet de régler la durée de fonctionnement. Vous trouverez pour cela la position du sélecteur de fonction dans le tableau ci-dessous.

Sélecteur de fonction	1	2
5 min	OFF	OFF
10 min	ON	OFF
15 min	OFF	ON
20 min	ON	ON

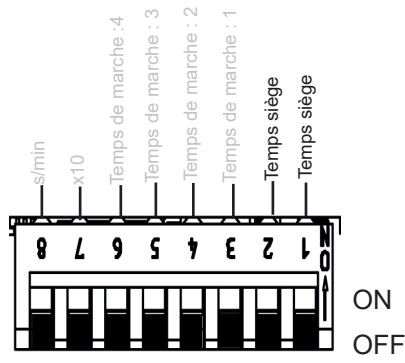
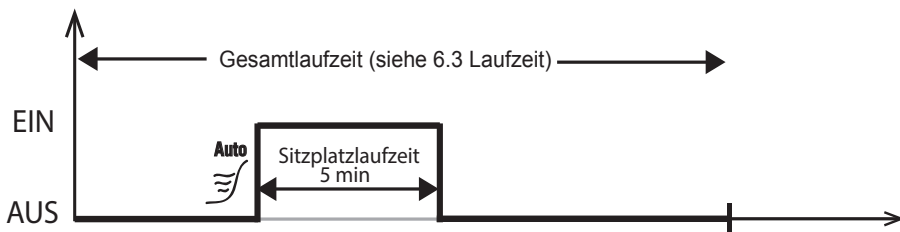


Fig. 13 : Temps siège

FR

Remarque : le mode de fonctionnement Siège (voir 6.1. Mode de fonctionnement à la page 19) doit être activé pour pouvoir utiliser la fonction.

Exemple : Temps siège : 5 min



6.6. Temps de marche (minuterie I/O)

Barre de commutateurs DIP 2 Sélecteurs de fonction 3 à 6

Remarque : d'autres réglages sont nécessaires afin d'activer le temps de marche, voir 6.1. Mode de fonctionnement à la page 19 et Fig. 16 : Mode de fonctionnement Minuterie I/O à la page 25.

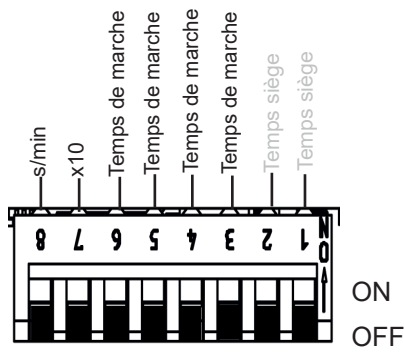


Fig. 14 : Temps de marche

Fonction du temps de marche : la sortie commence à fonctionner (par minuterie) après la mise en marche de la commande, selon les temps réglés.

Temps de marche : réglage du nombre (fonction de minuterie). Position du commutateur de la valeur souhaitée sur ON, selon le tableau suivant.

Multiplicateur x10 (7) : le nombre réglé via les valeurs est multiplié par 10.
OFF = désactivé, ON = activé

Unité s/min (8) : passage des secondes aux minutes.
OFF = secondes, ON = minutes

Exemple : durée de réglage 3 minutes

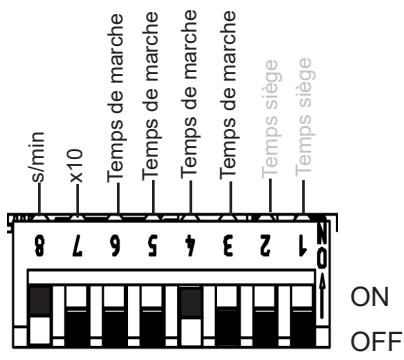


Fig. 15 : Exemple temps de marche

Durée	Sélecteur de fonction			
	6	5	4	3
1	OFF	OFF	OFF	OFF
2	OFF	OFF	OFF	ON
3	OFF	OFF	ON	OFF
4	OFF	OFF	ON	ON
5	OFF	ON	OFF	OFF
6	OFF	ON	OFF	ON
7	OFF	ON	ON	OFF
8	OFF	ON	ON	ON
9	ON	OFF	OFF	OFF
10	ON	OFF	OFF	ON
11	ON	OFF	ON	OFF
12	ON	OFF	ON	ON
13	ON	ON	OFF	OFF
14	ON	ON	OFF	ON
15	ON	ON	ON	OFF
16	ON	ON	ON	ON

FR

Mode de fonctionnement Minuterie I/O (marche/arrêt) : en mode de fonctionnement marche/arrêt, la commande s'éteint après expiration du temps de marche réglé et n'est pas réactivée.

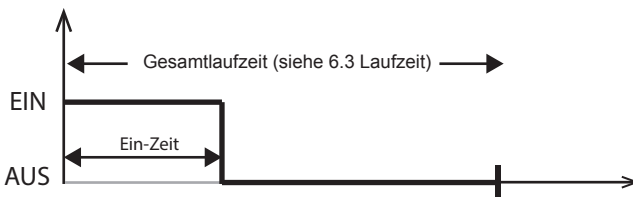


Fig. 16 : Mode de fonctionnement Minuterie I/O

6.7. Commande de phases

Barre de commutateurs DIP 4

Sélecteur de fonction 4

Possibilités de réglage :

Activation de phases : OFF (standard)

Désactivation de phases : ON

D'autres réglages sont nécessaires afin d'activer l'activation/la désactivation de phases, voir 6.1. Mode de fonctionnement à la page 19.

Fonction disponible en mode Normal.

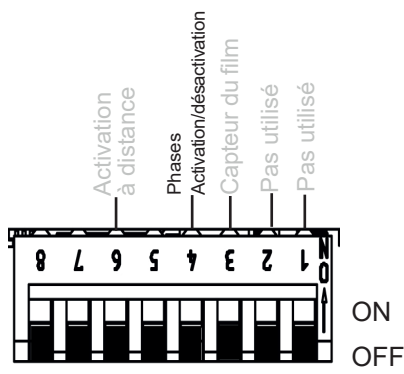


Fig. 17 : Activation/désactivation de phases

Si le mode de fonctionnement activation de phases (voir 6.2. Mode de fonctionnement (émetteur infrarouge/plaque infrarouge) à la page 20) est sélectionné, il est possible de choisir l'activation ou la désactivation de phases.

6.8. Entrée HV (entrée de validation)

Barre de commutateurs DIP 4

Sélecteur de fonction 6

Entrée de validation (position ON)

La commande ne peut être mise en marche qu'en présence de 230 V CA à l'entrée HV. Cette fonction peut être utilisée par exemple en combinaison avec une machine à pièces.

Voir également 5.5. Raccordement de l'entrée HV (entrée de validation) à la page 17.

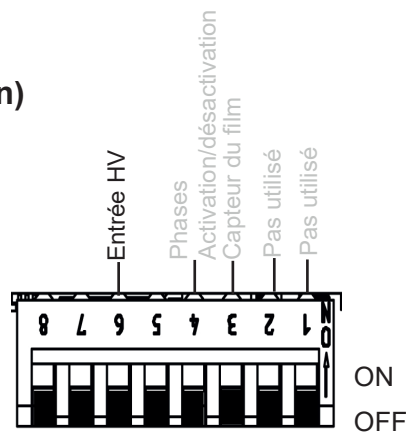


Fig. 18 : Entrée HV

7. Exécution des contrôles

Les contrôles suivants doivent être exécutés par un installateur-électricien agréé.



AVERTISSEMENT !

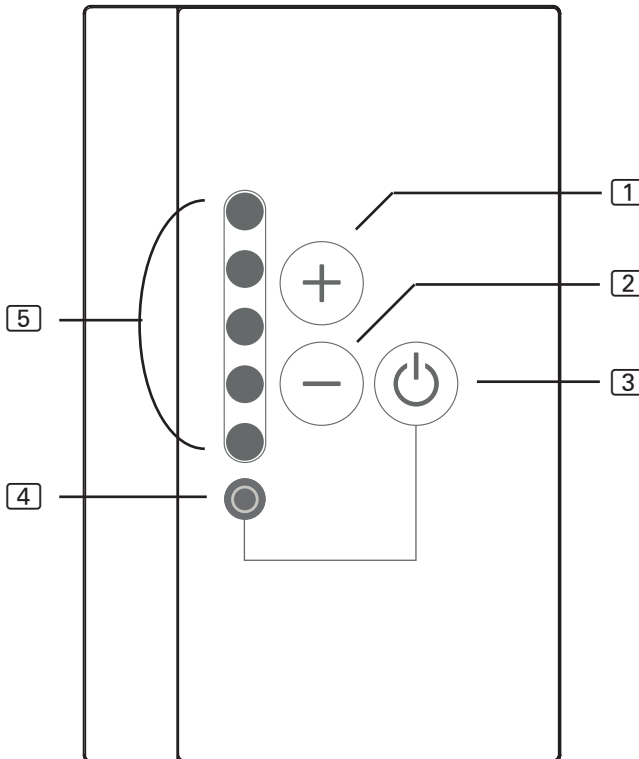
***Les contrôles suivants doivent être effectués sous tension.
Attention au risque d'électrocution.***

- Ne touchez JAMAIS de pièces conductrices sous tension.

1. Contrôlez le contact des câbles de terre à la borne de mise à la terre.
2. En cas d'utilisation d'un capteur du film (voir Fig. 6 : Zone de raccordement de panneau de commande / capteur / capteur de siège à la page 15)
 - a. Débranchez le capteur. Le code d'erreur 3 (voir 9.1. Messages d'erreur à la page 30) s'affiche.
 - b. Si le bon code d'erreur est affiché, rebranchez le capteur.
3. En cas d'utilisation d'un limiteur de température de sécurité (voir Fig. 6 : Zone de raccordement de panneau de commande / capteur / capteur de siège à la page 15)
 - a. Débranchez le limiteur de température de sécurité. Le code d'erreur 2 (voir 9.1. Messages d'erreur à la page 30) s'affiche.
 - b. Si le bon code d'erreur est affiché, rebranchez le limiteur.
4. En cas d'utilisation d'une plaque infrarouge/d'un émetteur infrarouge (voir Fig. 7 : Zone de raccordement pour 230 V à la page 16)
 - a. Vérifiez son fonctionnement.

8. Utilisation

8.1. Désignation des éléments de commande



- | | |
|--|--|
| 1 Augmenter l'intensité/
Mode de fonctionnement normal :
Marche | 4 Affichage du fonctionnement |
| 2 Diminuer l'intensité/
Mode de fonctionnement normal : Arrêt | 5 Affichage de l'intensité/
Affichage Marche/Arrêt |
| 3 Touche de MARCHÉ/ARRÊT | |

**AVERTISSEMENT !**
Risque d'incendie

- Avant d'allumer la commande infrarouge, assurez-vous qu'aucun objet inflammable ne se trouve au-dessus de l'émetteur infrarouge ou de la plaque infrarouge.

8.2. Mise en marche de la commande infrarouge

1. Appuyez sur la touche MARCHE/ARRÊT [3] pour mettre la commande infrarouge en marche.
 - ▶ L'affichage de fonctionnement [4] s'allume.
2. À l'aide du sélecteur d'intensité [1] et [2], choisissez l'intensité souhaitée de la fonction.
 - ▶ L'émetteur infrarouge/la plaque infrarouge commence à chauffer.

8.3. Fonction de gradation émetteur infrarouge/plaque infrarouge

Commande (variable) des émetteurs infrarouge/plaques infrarouge selon 5 niveaux possible. À la valeur 0, l'émetteur infrarouge/la plaque infrarouge est éteint, la valeur 5 correspond à la pleine puissance.

Fonction possible uniquement dans les modes de fonctionnement : Activation de phases et Commande à demi-ondes

D'autres réglages sont nécessaires afin d'activer la fonction, voir le chapitre 6.2. Mode de fonctionnement (émetteur infrarouge/plaque infrarouge) à la page 20.

Fonction possible uniquement dans le mode de fonctionnement : Normal et siège

D'autres réglages sont nécessaires afin d'activer la fonction, voir le chapitre 6.1. Mode de fonctionnement à la page 19.

1. À l'aide des sélecteurs d'intensité [1] et [2] réglez l'intensité souhaitée des émetteurs infrarouge/plaques infrarouge.
 - ▶ L'émetteur infrarouge/la plaque infrarouge s'allume.
 - ▶ L'affichage de l'intensité [5] s'allume.

8.4. Capteur de siège (en option)

En cas d'utilisation d'un capteur de siège (accessoire disponible en option), la sortie infrarouge se met en marche automatiquement pour la durée de siège réglée, lorsque vous vous asseyez. La commande infrarouge doit être en marche (voir 8.2 Mise en marche de la commande infrarouge)

9. Dépannage

9.1. Messages d'erreur

La commande infrarouge Basic est équipée d'un logiciel de diagnostic qui contrôle l'état du système pendant la mise en marche et le fonctionnement. Dès que le logiciel de diagnostic détecte une erreur, la commande éteint la sortie infrarouge.

Les erreurs sont affichées par le clignotement des LED.

Éteignez la commande infrarouge avec la touche MARCHE/ARRÊT [3] (voir 8.1. Désignation des éléments de commande à la page 28), débranchez le câble du secteur et éliminez l'erreur avant de rallumer la commande infrarouge.

Le tableau ci-dessous décrit les erreurs possibles et leurs causes. Si besoin, indiquez au service clientèle le nombre de LED allumées.

Nombre de LED	Erreur	Cause/résolution
1	Généralités	Veuillez contacter le service clientèle.
2	Rupture du limiteur de température de sécurité	Vérifiez le limiteur de température de sécurité ou placez des cavaliers sur la borne du limiteur.
3	Capteur de température du film cassé ou court-circuit	Capteur de température défectueux, mauvais contact ou court-circuit
4	Surtempérature du capteur du film	La température maximale du film de 100 °C est atteinte. Le capteur doit être activé par le commutateur DIP.
5	Erreur de communication entre le panneau de commande et le bloc de puissance	Mauvais contact ou câble de raccordement défectueux. Veuillez contacter le service clientèle.

10. Nettoyage et entretien

10.1. Nettoyage

ATTENTION !***Endommagement de l'appareil***

L'Infrabox est protégée contre les projections d'eau, mais un contact direct avec de l'eau peut quand même endommager l'appareil.

- Ne plongez JAMAIS l'appareil dans l'eau.
 - Ne versez JAMAIS d'eau sur l'appareil.
 - Ne nettoyez pas l'appareil avec trop d'eau.
-

1. Imbibez un chiffon de savon doux.
2. Essorez bien le chiffon.
3. Essuyez le boîtier de la commande infrarouge avec précaution.

10.2. Entretien

La commande infrarouge ne nécessite aucun entretien.

11. Élimination



- Éliminez les matériaux d'emballage conformément aux directives en vigueur relatives à l'élimination.
- Les appareils usagés contiennent des matériaux recyclables, mais aussi des substances toxiques. Par conséquent, ne jetez en aucun cas votre appareil usagé avec les déchets ménagers. Éliminez-le conformément aux directives locales en vigueur.

12. Caractéristiques techniques

Panneau de commande

Raccordement :	4 pôles avec câbles d'alimentation et de communication	
Tension secteur :	5 V CC	
Puissance :	<0,5 W	
Température de stockage :	de -25 °C à 70 °C	
Température ambiante :	-10 °C à +110 °C	
Humidité de l'air :	max. 99 % d'humidité rel. sans condensation !	
Dimensions : L x l x p	63 x 104 x 38 mm	
Découpe de montage : L x l	48 x 60 mm	

Bloc de puissance

Tension nominale	230 V CA
Dimensions	195 x 119 x 48 mm
Câble de raccordement	3 x 1,5 mm ² pour éclairage, système électronique et éléments de chauffage
Puissance de commutation/radiateur	
Activation de phases	350 W
Commande à demi-ondes	1,3 kW
Commutation	3,5 kW
Conditions ambiantes	10 °C à +40 °C

Sécurité thermique

Limitation automatique du temps de chauffage réglable (6 h, 12 h, 18 h, 24 h)*

* La norme EN 60335-2-53 prévoit une limitation de la durée de chauffage de 6 h pour les saunas privés. Pour les saunas dans les hôtels, les immeubles et les endroits similaires, la limitation de la durée de chauffage autorisée est de 12 h. Une extension de la limitation de la durée de chauffage à 18 h ou à 24 h est autorisée pour les saunas publics uniquement.





sentiotec GmbH | Division of Harvia Group | Wartenburger Straße 31, A-4840 Vöcklabruck
T +43 (0) 7672/22 900-50 | F -80 | info@sentiotec.com | www.sentiotec.com