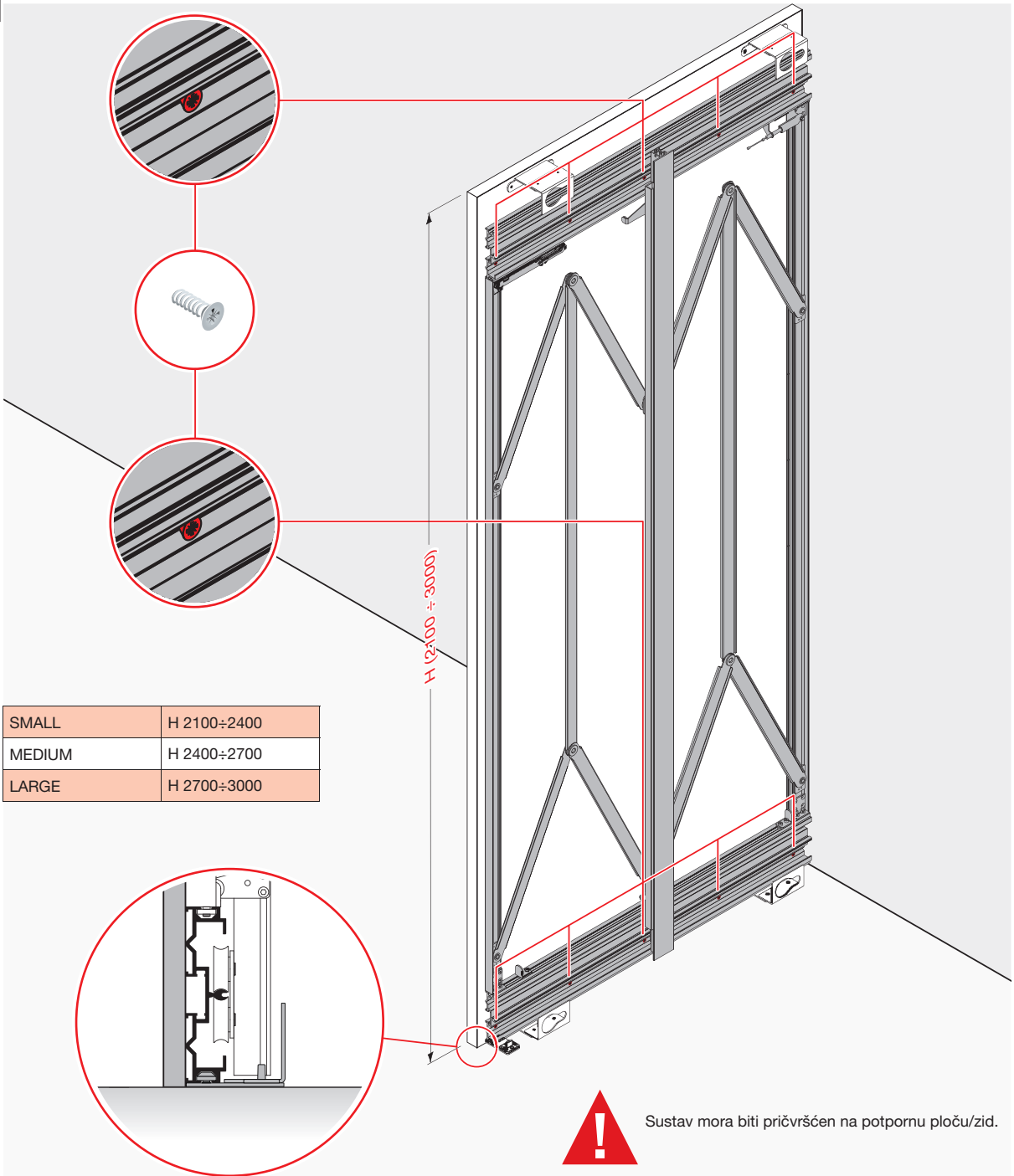
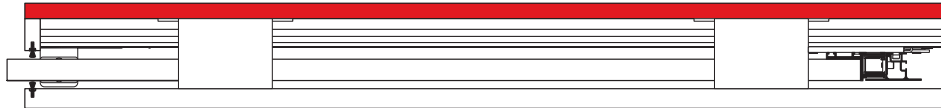


R

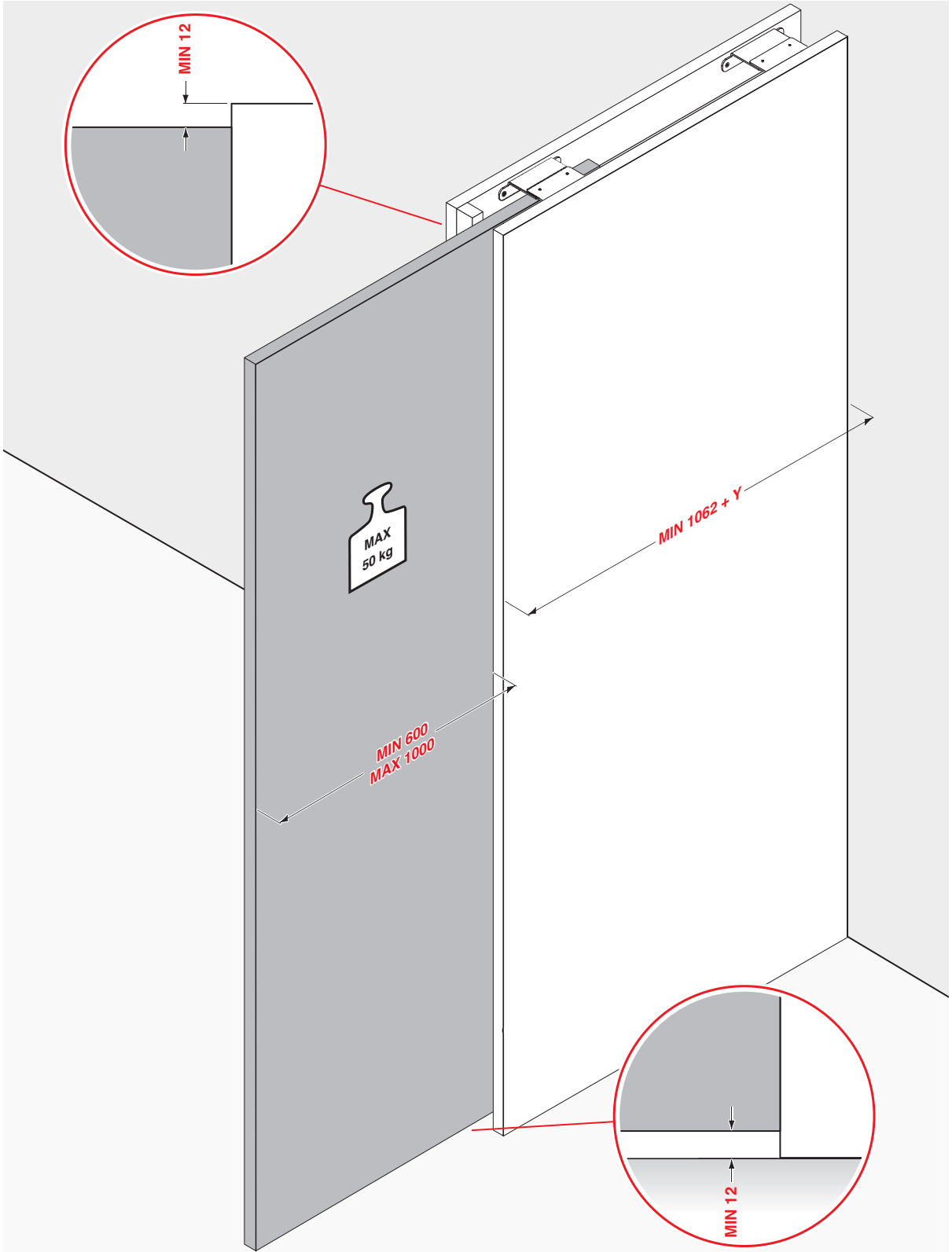


SMALL	H 2100÷2400
MEDIUM	H 2400÷2700
LARGE	H 2700÷3000

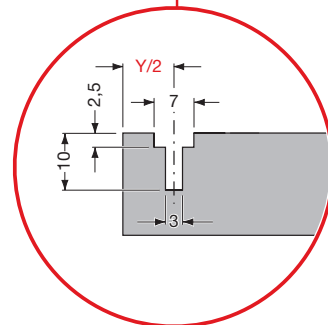
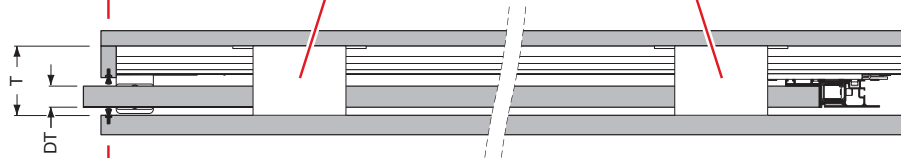
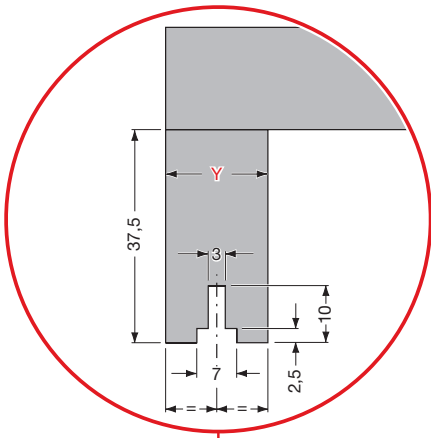
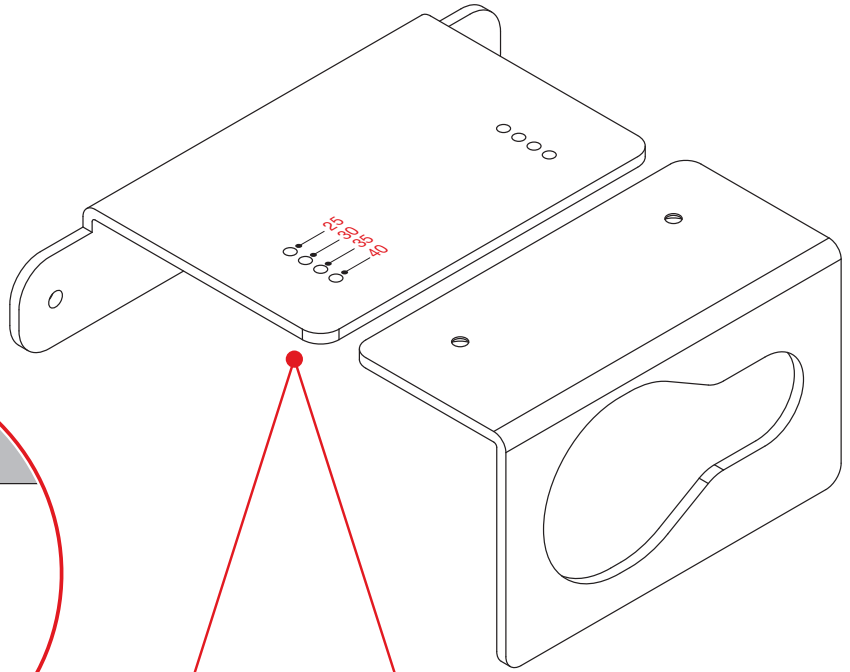


Sustav mora biti pričvršćen na potpurnu ploču/zid.

R



R



DT = 25	T = 83
DT = 26 ≥ 30	T = 88
DT = 31 ≥ 35	T = 93
DT = 36 ≥ 40	T = 98

DT = debljina vrata  
T = debljina

