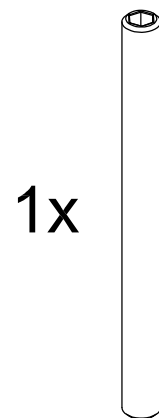
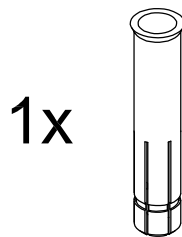
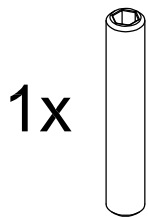
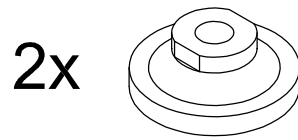
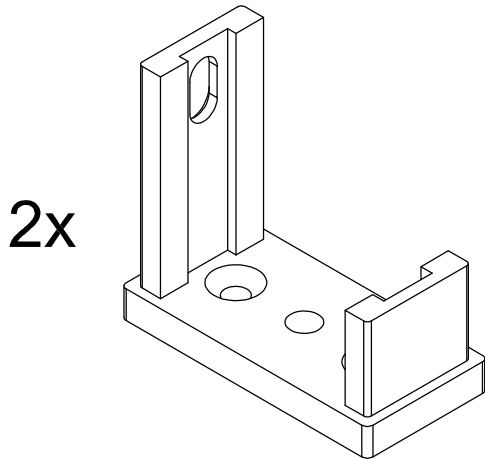


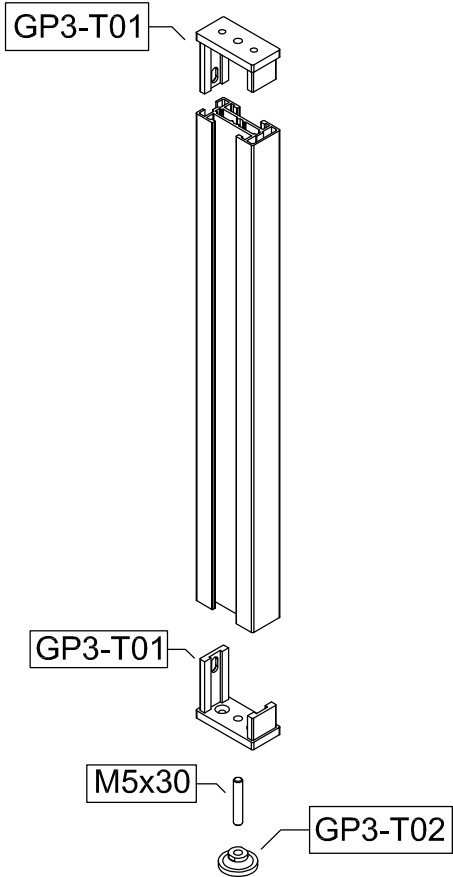
GP SYSTEM

Doc.Nr.: V3I (V01)

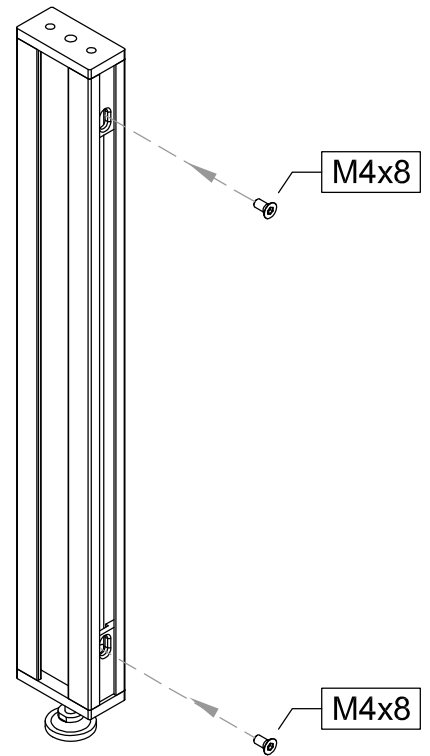


GP SYSTEM

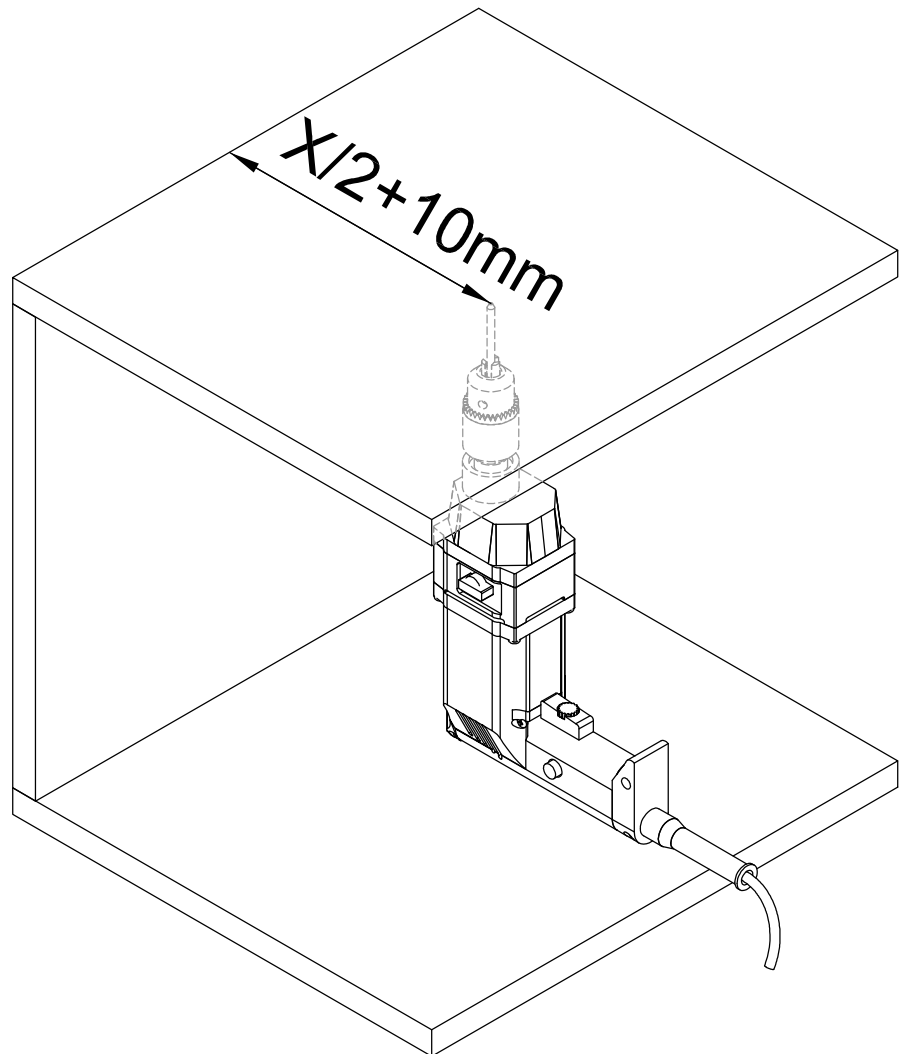
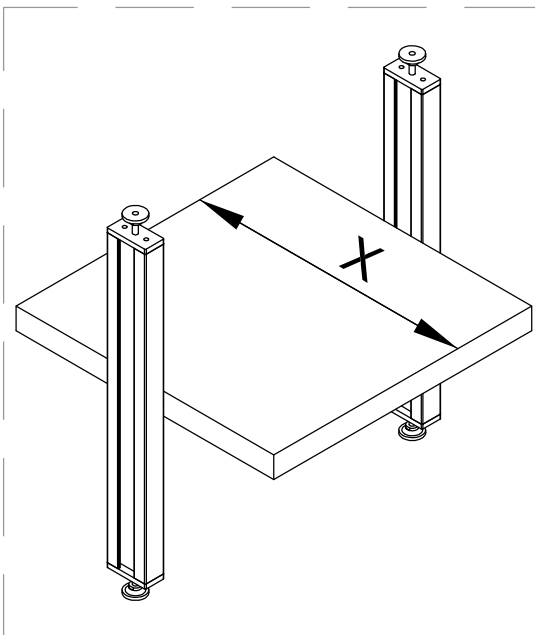
1.



2.

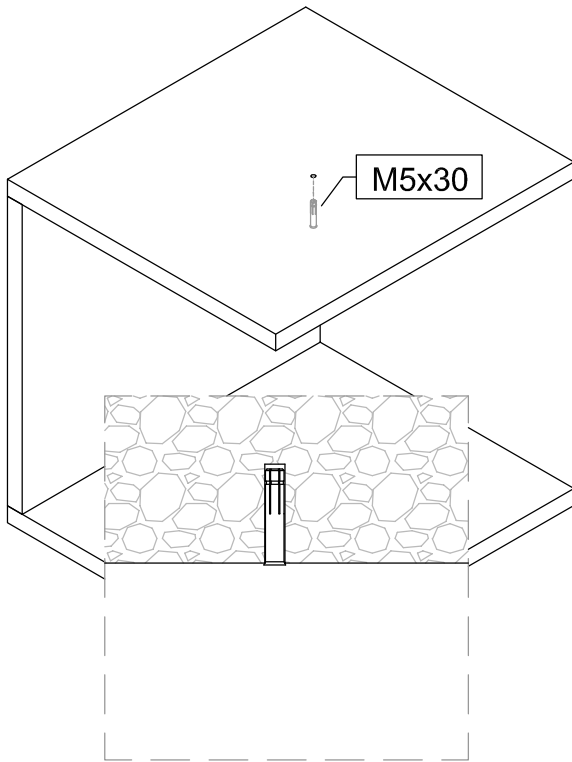


3.

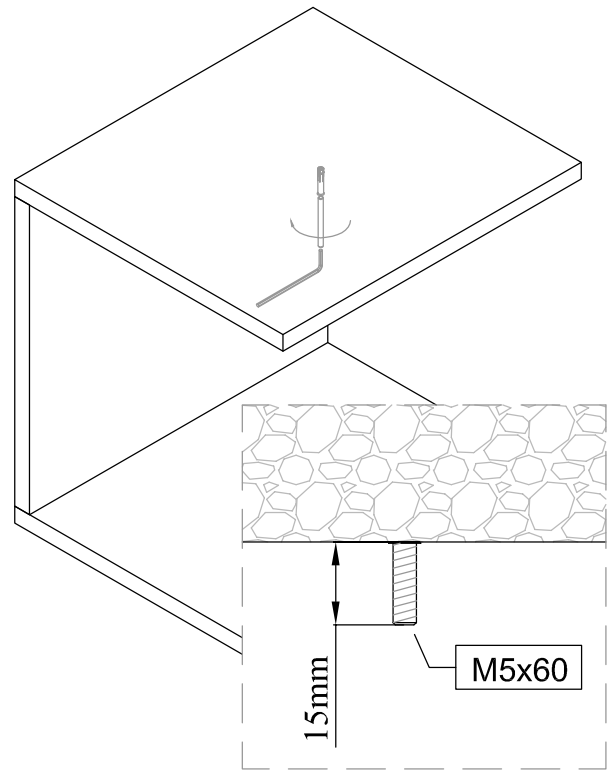


GP SYSTEM

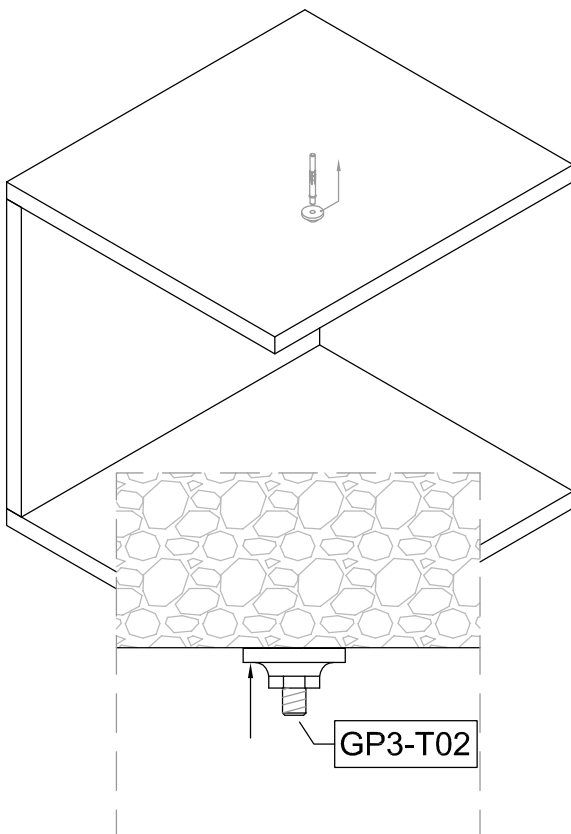
4.



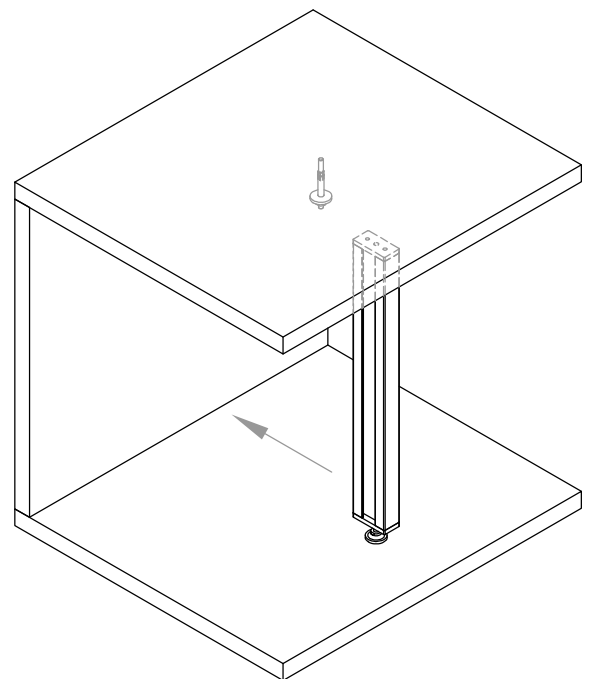
5.



6.

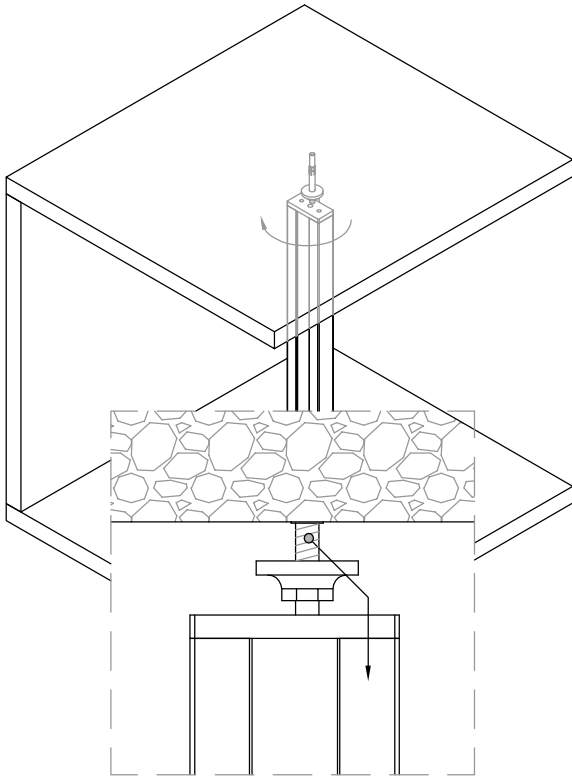


7.



GP SYSTEM

8.



9.

