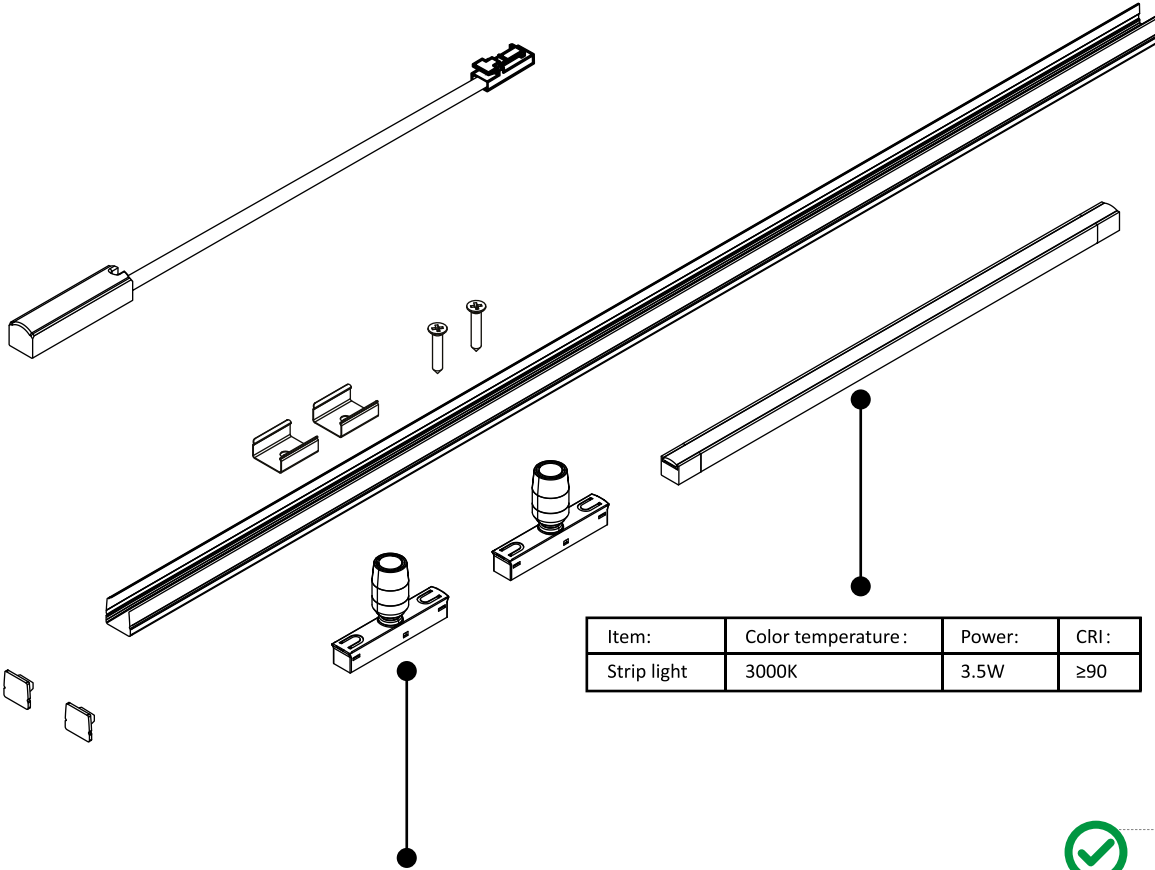


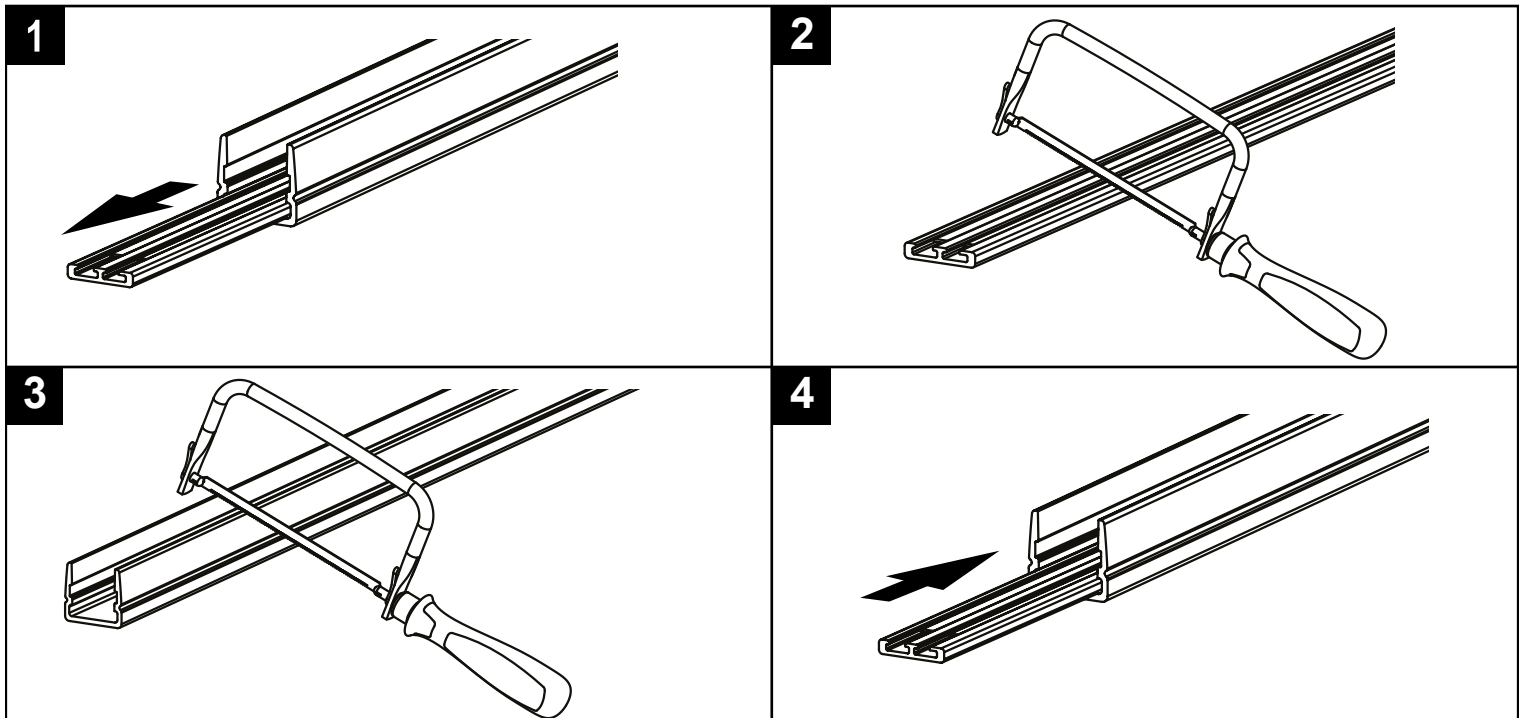
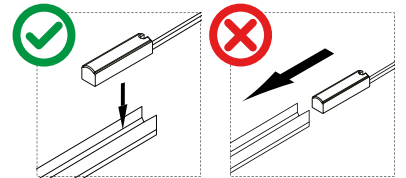


24 V _{DC}	CE	UK CA	III								
3000K											



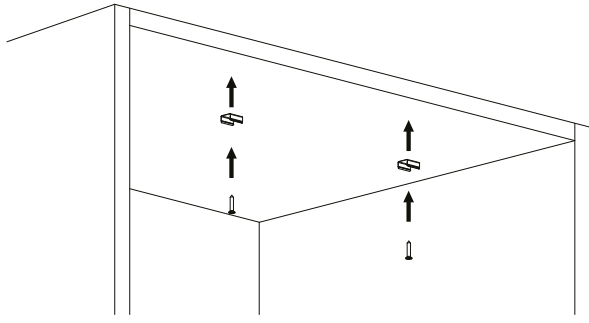
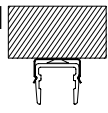
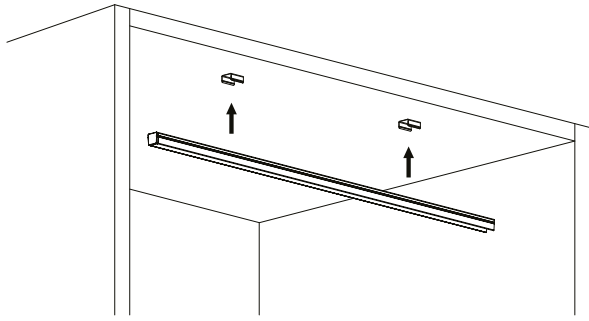
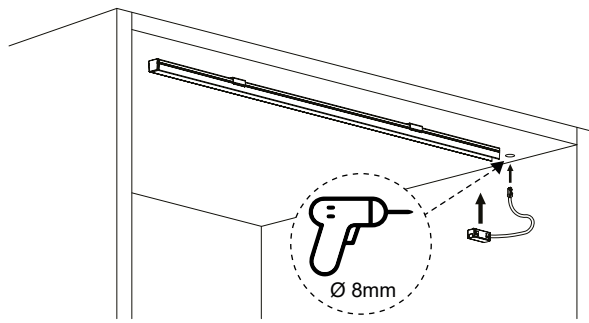
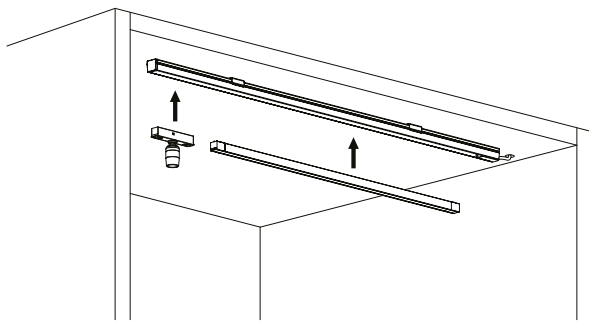
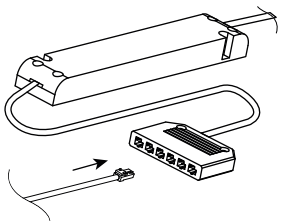
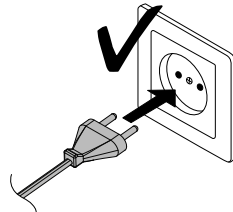
Item:	Color temperature:	Power:	CRI:
Strip light	3000K	3.5W	≥90

Item:	Color temperature:	Power:	CRI:
Spot light	3000K	0.6W	≥90

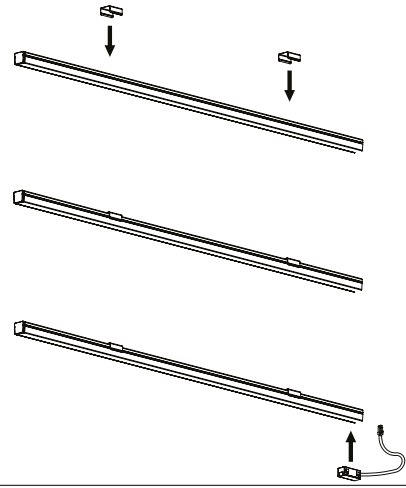
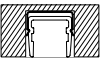
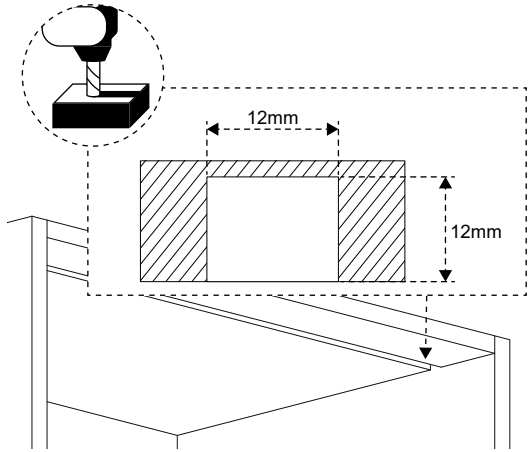
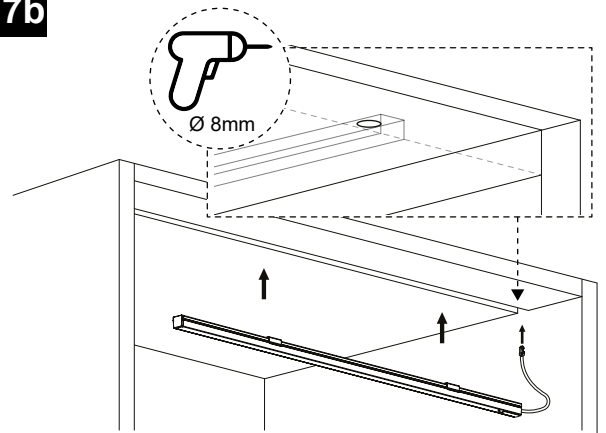
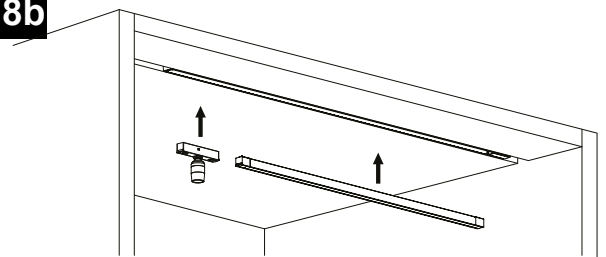


5a

SURFACE APPLICATION

**6a****7a****8a****9****10****5b**

RECESSED APPLICATION

**6b****7b****8b****11**