



- Festtür-Technik
- Opened door alarm
- Be- und Entlüftung im Sockel

**Total net volume: 111**

- Cooling: 95 l, Freezing: 16 l

**Cooling**

- Defrost: automatisch
- 1 Glass shelves
- 2 Vegetable crispers
- 2 Door trays
- LED-interior light
- 1 Egg tray

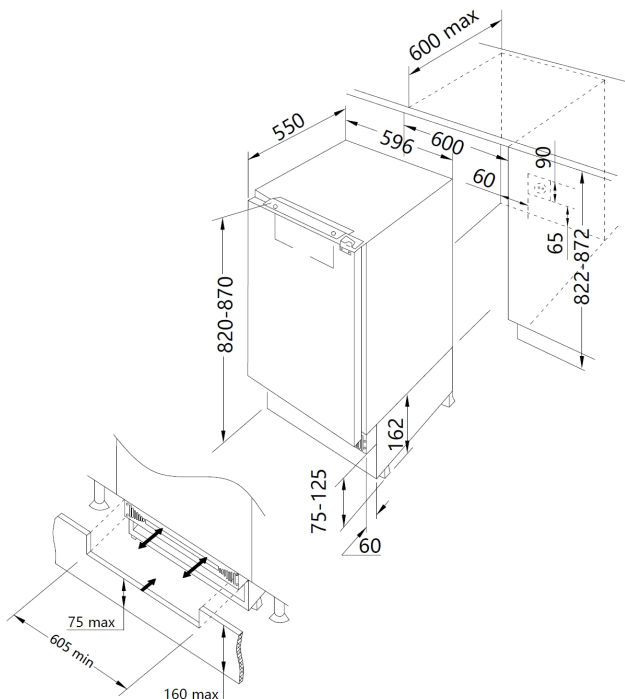
**Freezing**

- Defrost: manuell
- 1 Ice cube tray

**Technical Data\***

- Energy efficiency class: E
- Energy consumption per year: 147,1 kWh
- Freezing capacity: 2,6 kg/24 h
- Temperature rise time: 11 h
- Airborne noise emissions: 35 dB(A)re1pW, Class: B
- Niche measurements (HxWxD): 820-870 x 600 x 600 mm
- Door hinge position right, adjustable: Ja
- Power cord length: 230 cm
- Height adjustable feet at the front
- Voltage/Frequency: 220-240 V / 50 Hz
- Climate class: SN-ST, 10 - 38 °C
- Weight net/gross: 31,5 kg / 34,5 kg
- Packaging dimensions (HxWxD): 880 x 640 x 600 mm

EAN 5906006950286



## Technical Specifications

Model / Item No.	UKSX 361 901
Equipment line	transparent clear
Colour	weiß
Category	Unterbau-Kühlschrank mit Gefrierfach
Star rating:	4-Sterne-Fach
Type of door	Festtür-Technik

### Power

Energy efficiency class 1)	E
Energy consumption kWh/year 2)	147,1
Total net volume (litre)	111
Net volume Cooling / Freezing (litre)	95 / 16
Freezing capacity (kg/24 h) / Storage time in case of malfunction (h)	2,6 / 11
Airborne acoustical noise emissions [dB(A) re 1 pW]	35
Airborne acoustical noise emission class	B
Climate class	SN-ST
Climate class min-max (°C)	10 - 38

### Equipment

NoFrost Technology	-
Temperature Control / Position	elektronisch / innen, rechts
Cooling chamber and Freezing chamber controlled separately	-
CoolBalance	-
Inverter compressor	-
Temperature Alarm Cooling compartment / Freezing compartment	- / -
Opened door alarm	•
Super Cooling / Super Freezing function	- / 1
Holiday function	-
ECO function	-
Defrost type Cooling / Freezing chamber	automatisch / manuell
Feet adjustable front / back	• / -
Door hinge / interchangeable	rechts / •

### Cooling compartment

Amount of glass shelves	1
Bottle wire grid	-
Vegetable crisper with glass cover	2
AdaptZone	-
VitControl drawer	-
Total amount door shelves	2
Bottle compartment	2
Interior lighting / position	LED / seitlich

### Freezing compartment

Transparent freezer drawers	-
Glass shelves in the freezer compartment	-
Freezer compartment with flap	-

### Accessories

Egg tray	1
Ice cube tray	1

### Technical Specifications

Unit dimensions H x W x D (mm)	825 x 596 x 550
Voltage (V) / frequency (Hz)	220-240 / 50
Power cord length with plug (cm)	230
Weight net / gross (kg)	31,5 / 34,5
Packaging dimensions H x W x D (mm)	880 x 640 x 600

<b>EAN</b>	5906006950286
------------	---------------

1) according to regulation (EU) 2019/2016 2) norm testing 24 h. real consumption can be different.

