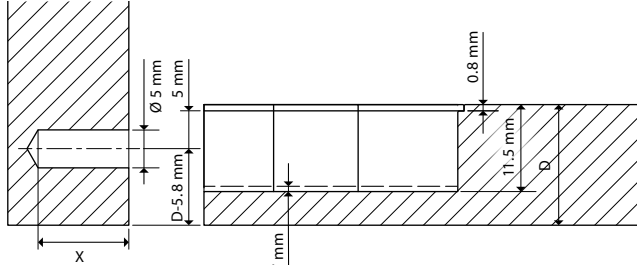
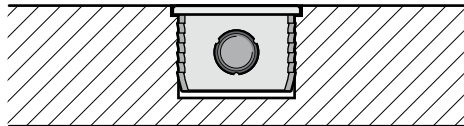


Bund flächenbündig | Flush with the surface



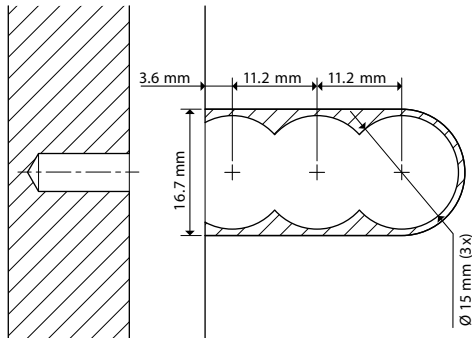
Cabineo 8: X=8 mm
Schwarze Schraube | black screw

Cabineo 12: X= 12 mm
Vernickelte Schraube | nickel-plated screw

Cabineo 8 M6: X=8 mm
Gelb verzinkte Schraube, Metrisches
ISO-Gewinde DIN 13-1 | Yellow galvanised
screw, Metric ISO thread DIN 13-1

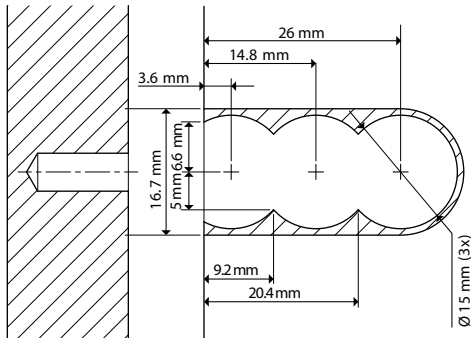
Variante | Option 1:

Bohrer Ø 15 mm | Drill Ø 15 mm



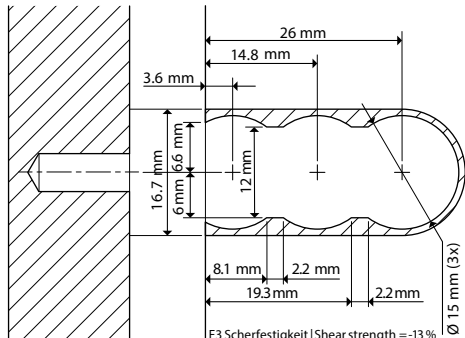
Variante | Option 2:

Fräser ≥ Ø 10 mm | Cutter ≥ Ø 10 mm



Variante | Option 3:

Fräser Ø 12 mm | Cutter Ø 12 mm



F3 Scherfestigkeit | Shear strength = -13%